



US00D604611S

(12) **United States Design Patent**
Ames et al.

(10) **Patent No.:** **US D604,611 S**
(45) **Date of Patent:** **** Nov. 24, 2009**

(54) **CAP**

(75) Inventors: **Gregory Churchill Ames**, Cincinnati, OH (US); **Matthew Joshua Brewer**, Batavia, OH (US); **Jason Paul Lawless**, Cincinnati, OH (US); **Richard Lawrence Horstman**, Cincinnati, OH (US); **Glen V. Walter**, Boxford, MA (US); **David Gerard Harting**, Needham, MA (US); **Douglas Arthur Marsden**, Marblehead, MA (US); **Anna Magdalena Engström**, Cambridge, MA (US); **Mark A. Nichols**, Newton Highlands, MA (US)

(73) Assignee: **The Procter & Gamble Company**, Cincinnati, OH (US)

(**) Term: **14 Years**

(21) Appl. No.: **29/320,947**

(22) Filed: **Jul. 8, 2008**

(51) **LOC (9) Cl.** **09-07**

(52) **U.S. Cl.** **D9/453; D9/454**

(58) **Field of Classification Search** D9/772, D9/724, 556, 529, 454, 453, 452, 449, 443, D9/439; D8/312, 107; D7/392.1; D23/261; D14/217; D12/197; 229/123.1; 222/541.2; 220/288; 215/350, 344, 295, 270, 256, 252, 215/218, 216, 209, 206

See application file for complete search history.

(56) **References Cited**

U.S. PATENT DOCUMENTS

D233,138 S * 10/1974 Vogel D9/453

D250,467 S * 12/1978 O'Banion D9/450
D253,289 S * 10/1979 Kato D8/312
D372,658 S * 8/1996 Decursu et al. D8/312
D375,264 S * 11/1996 Galarza et al. D9/453
D431,512 S * 10/2000 Pink D12/197
D530,612 S * 10/2006 Lohrman et al. D9/453
D587,580 S * 3/2009 Kane et al. D9/453
D597,840 S * 8/2009 Biesecker et al. D9/454
2005/0242054 A1 * 11/2005 Stull et al. 215/252

* cited by examiner

Primary Examiner—Susan Bennett Hattan

(74) *Attorney, Agent, or Firm*—Idris N. McKelvey; Laura R. Grunzinger

(57) **CLAIM**

The ornamental design for a cap, as shown and described.

DESCRIPTION

FIG. 1 is a perspective view the cap embodying our new design;

FIG. 2 is a front view thereof;

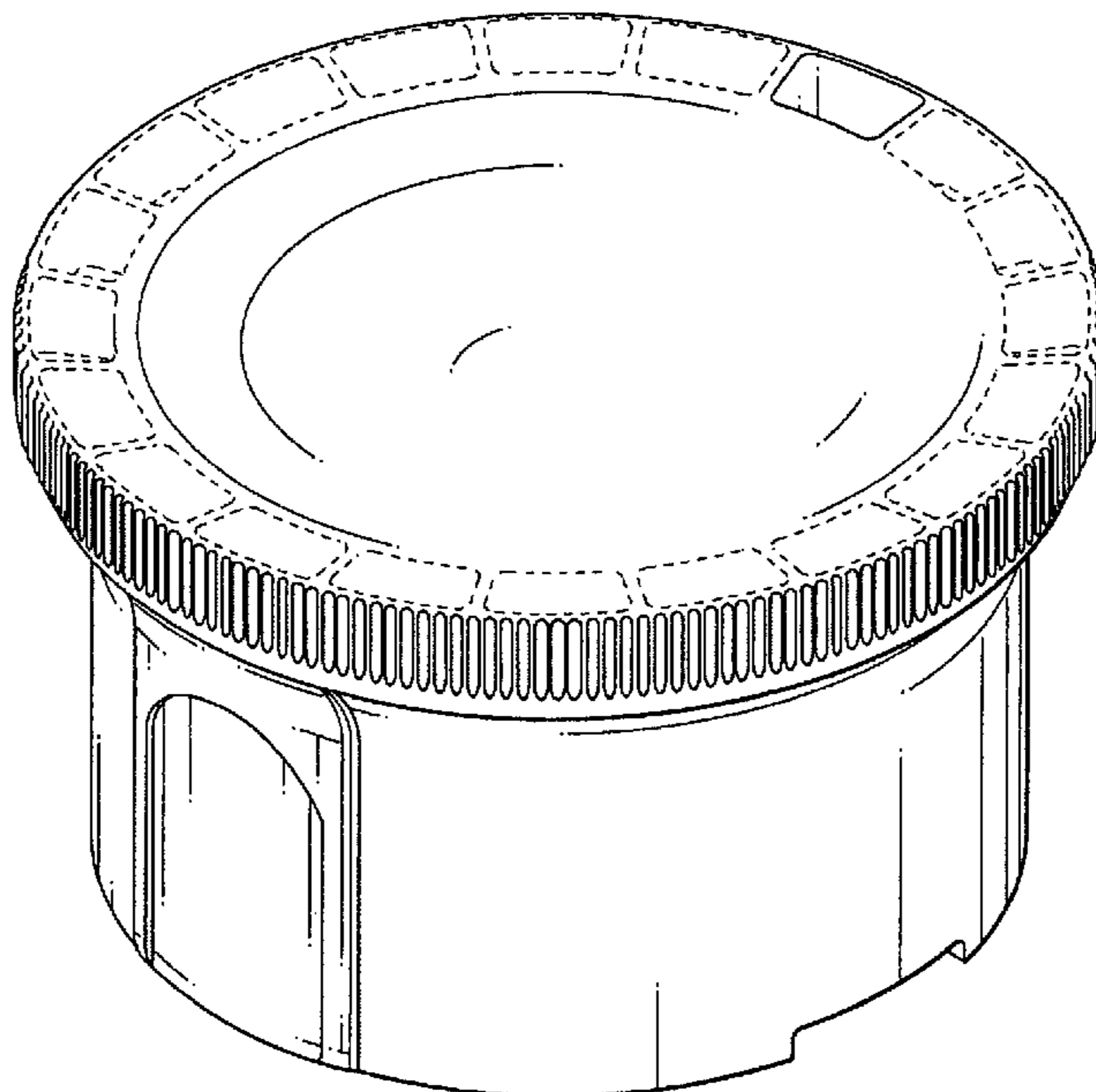
FIG. 3 is a back view thereof;

FIG. 4 is a top view thereof; and,

FIG. 5 is a bottom view thereof;

The broken lines immediately adjacent to the shaded areas in FIG. 5 represent the bounds of the claim and all other broken lines depict environmental subject matter. None of the broken lines form a part of the claimed design.

1 Claim, 4 Drawing Sheets



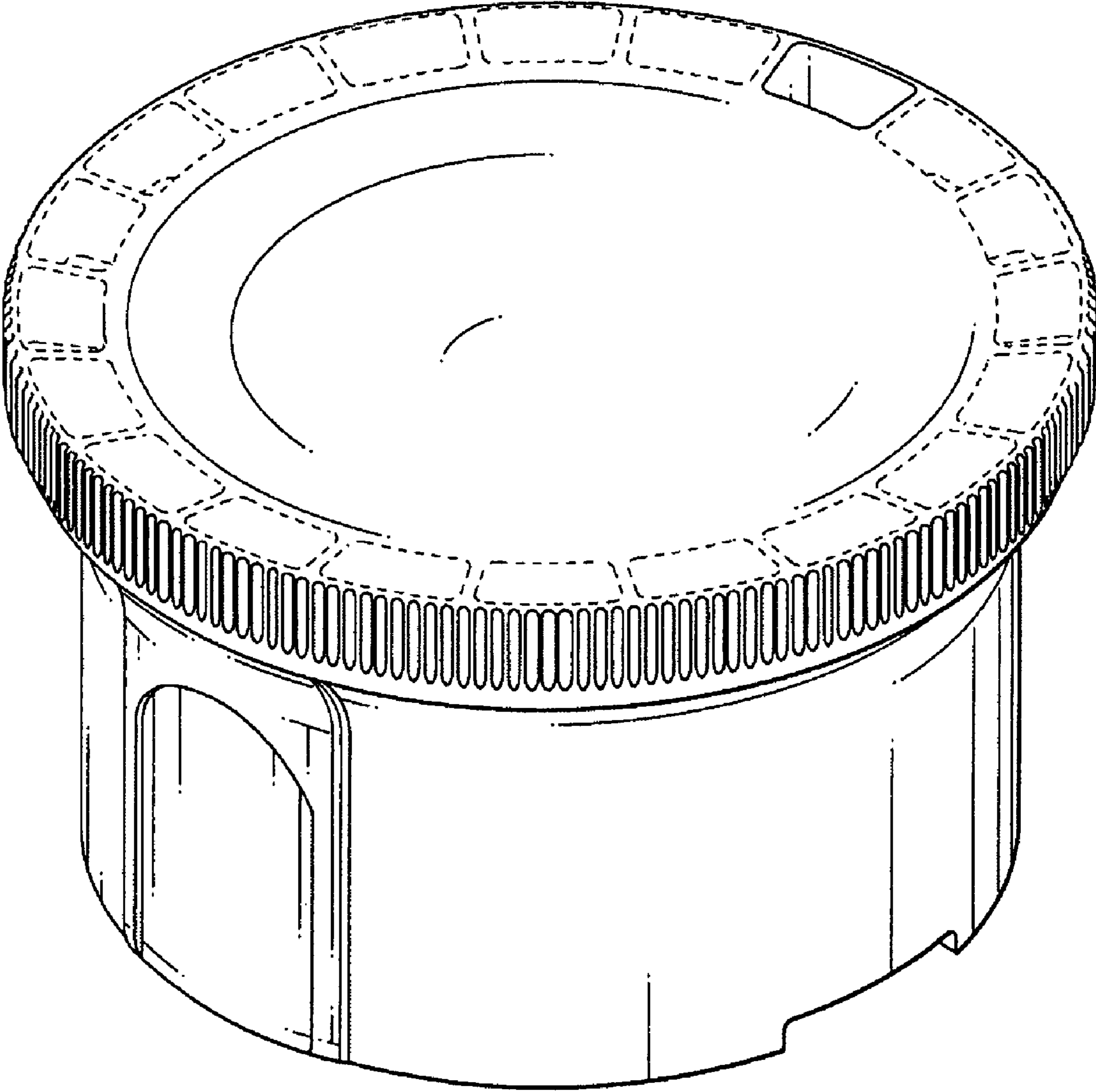


FIG. 1

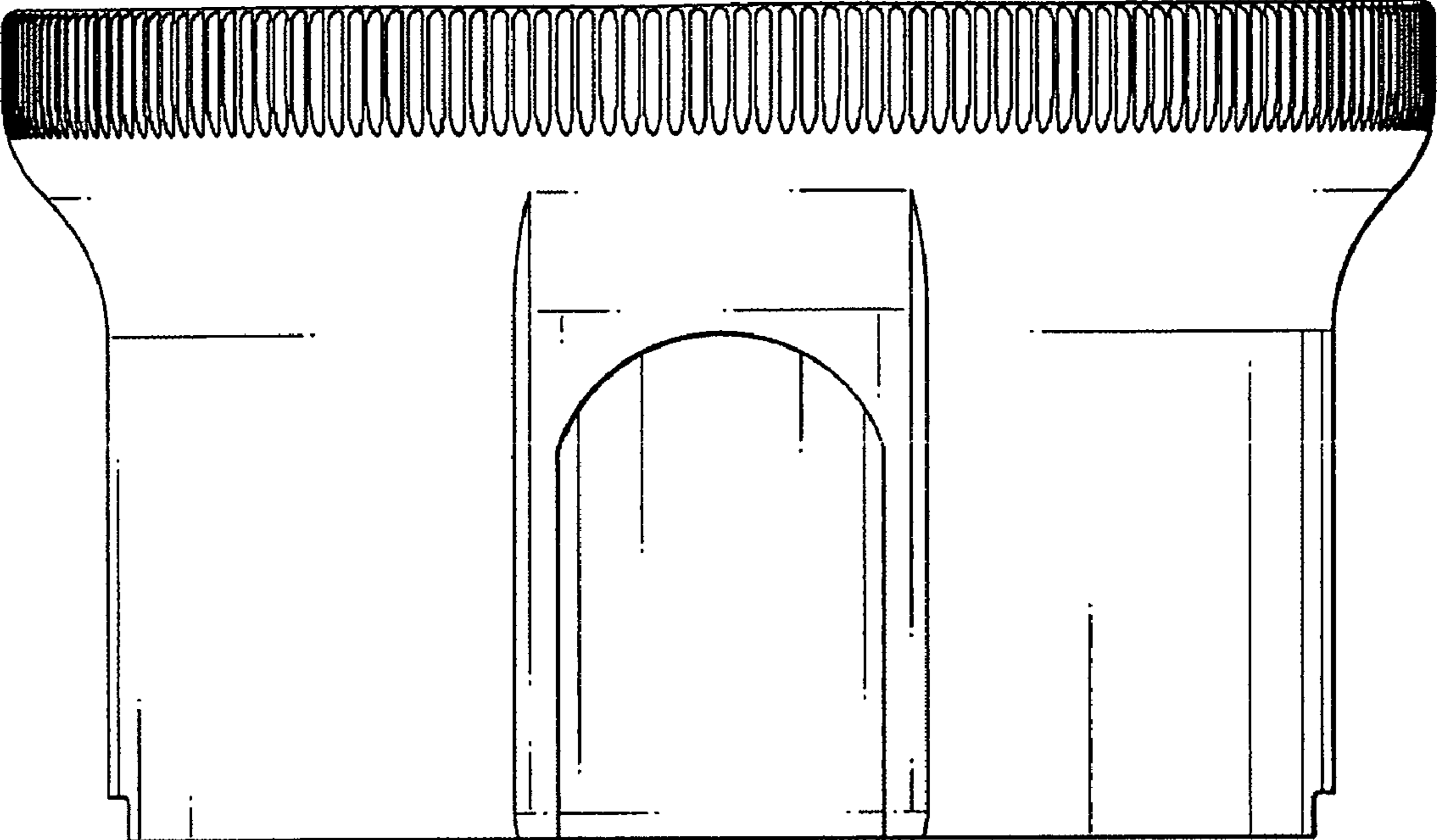


FIG. 2

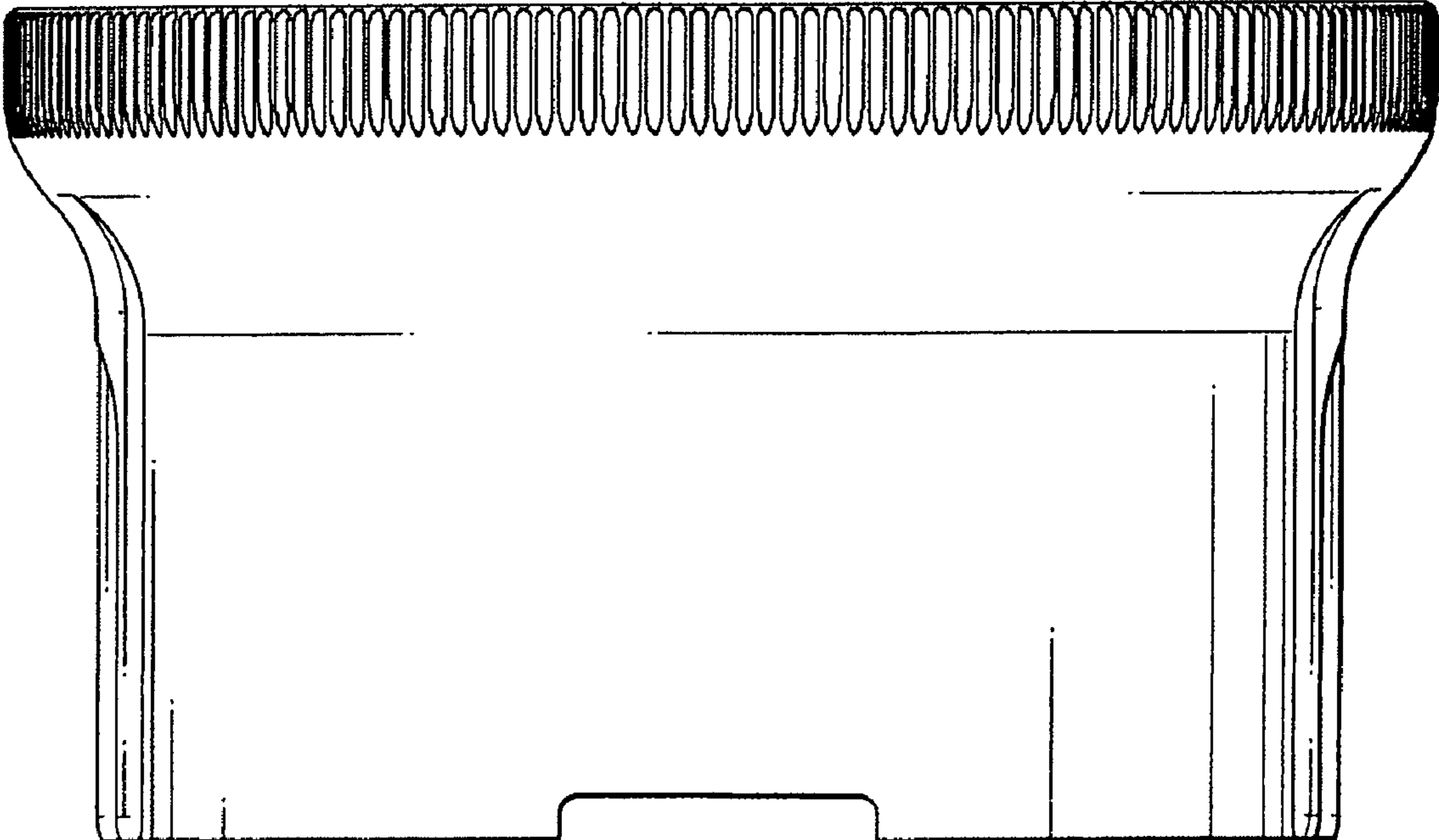


FIG. 3

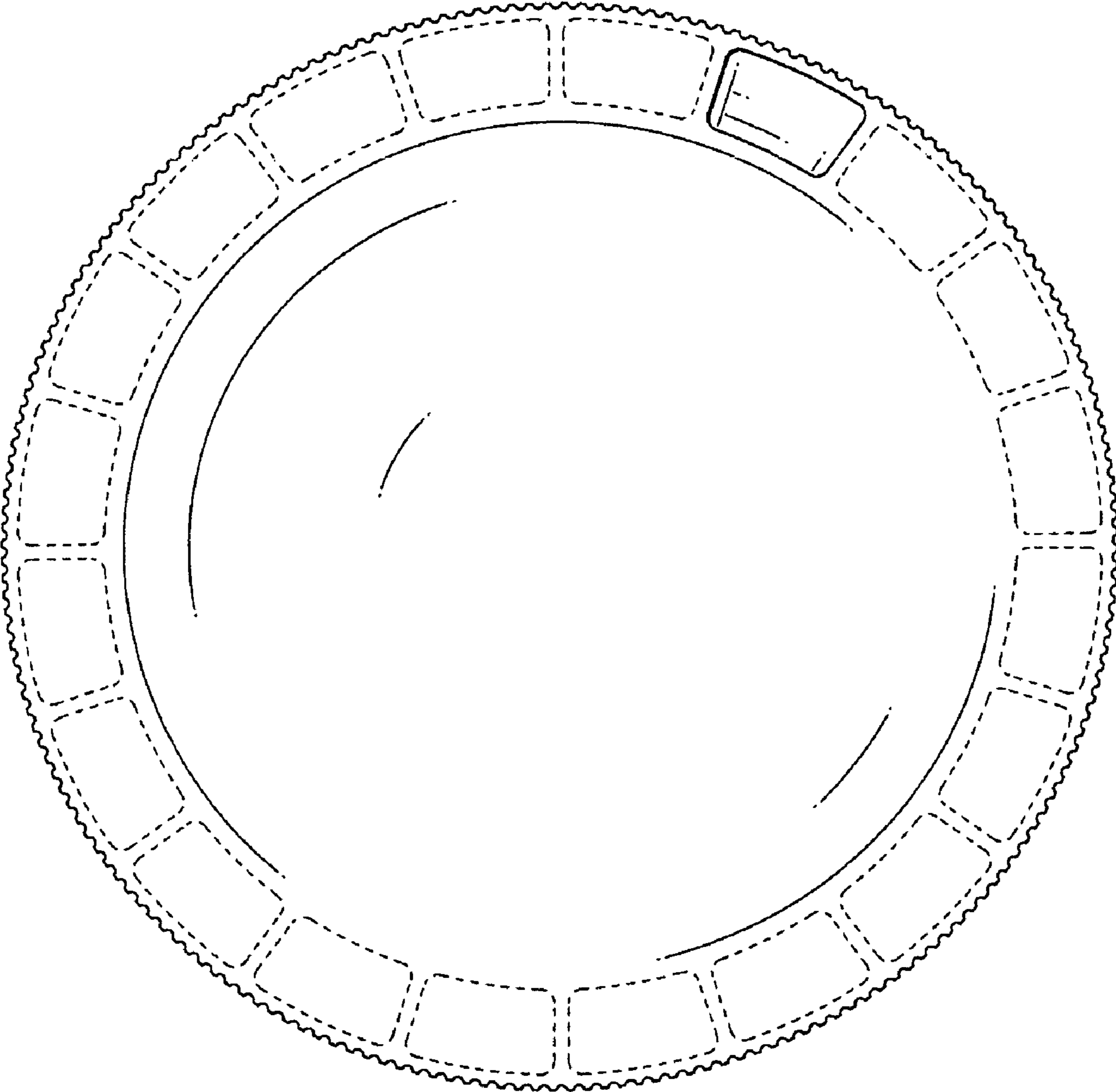


FIG. 4

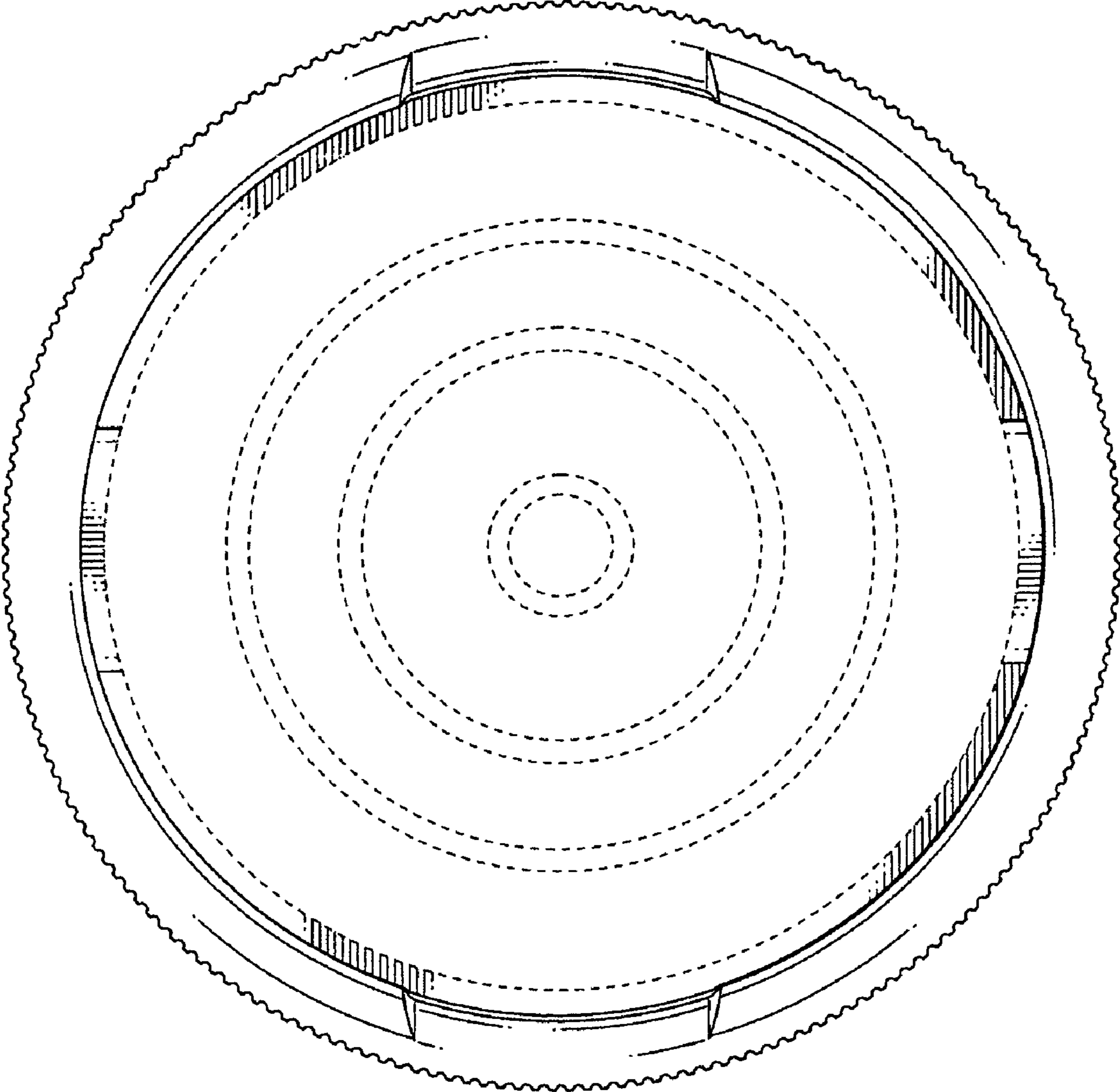


FIG. 5