



US00D604609S

(12) **United States Design Patent**
Barker

(10) **Patent No.:** **US D604,609 S**

(45) **Date of Patent:** **** Nov. 24, 2009**

(54) **ATTACHABLE DISPENSING SPOUT**

(75) Inventor: **Mark Barker**, Tarkioi, MO (US)

(73) Assignee: **James Mark Barker**, Tarkio, MO (US)

(**) Term: **14 Years**

(21) Appl. No.: **29/313,546**

(22) Filed: **Jan. 16, 2009**

(51) **LOC (9) Cl.** **09-07**

(52) **U.S. Cl.** **D9/447; D9/453**

(58) **Field of Classification Search** D9/902,

D9/763, 516, 453, 447, 438, 435, 440; D7/510,

D7/396.2; D28/7; D24/224, 130, 112; D23/206;

D10/101; 604/228; 222/82, 566, 539, 529,

222/526, 521, 478, 321.6, 153.13, 158; 221/63,

221/45; 220/716, 270; 215/257; 206/219

See application file for complete search history.

(56) **References Cited**

U.S. PATENT DOCUMENTS

1,520,029	A	12/1924	Lewis	
3,596,813	A	8/1971	Munn	
4,595,130	A	6/1986	Berney	
4,832,238	A	5/1989	Taylor	
4,946,079	A	8/1990	Campbell	
5,020,702	A	6/1991	James	
5,031,804	A *	7/1991	Conrad 222/566
5,067,639	A	11/1991	Maguire et al.	

5,092,498	A	3/1992	Williams et al.	
D336,044	S	6/1993	Miller et al.	
5,350,091	A	9/1994	Leete et al.	
D354,440	S	1/1995	Nye	
D360,580	S	7/1995	Bomareto	
D368,856	S	4/1996	Peay	
D377,031	S	12/1996	Didier	
D460,358	S *	7/2002	Ciolino D9/447
D470,052	S *	2/2003	Klutts D9/447
6,893,000	B2	5/2005	Rutter et al.	
D531,031	S *	10/2006	Lussier et al. D9/447
D531,900	S *	11/2006	Mavin et al. D9/447

* cited by examiner

Primary Examiner—Susan Bennett Hattan

(57) **CLAIM**

The ornamental design for an attachable dispensing spout, as shown and described.

DESCRIPTION

FIG. 1 is an isometric view of an attachable dispensing spout;

FIG. 2 is a front view thereof;

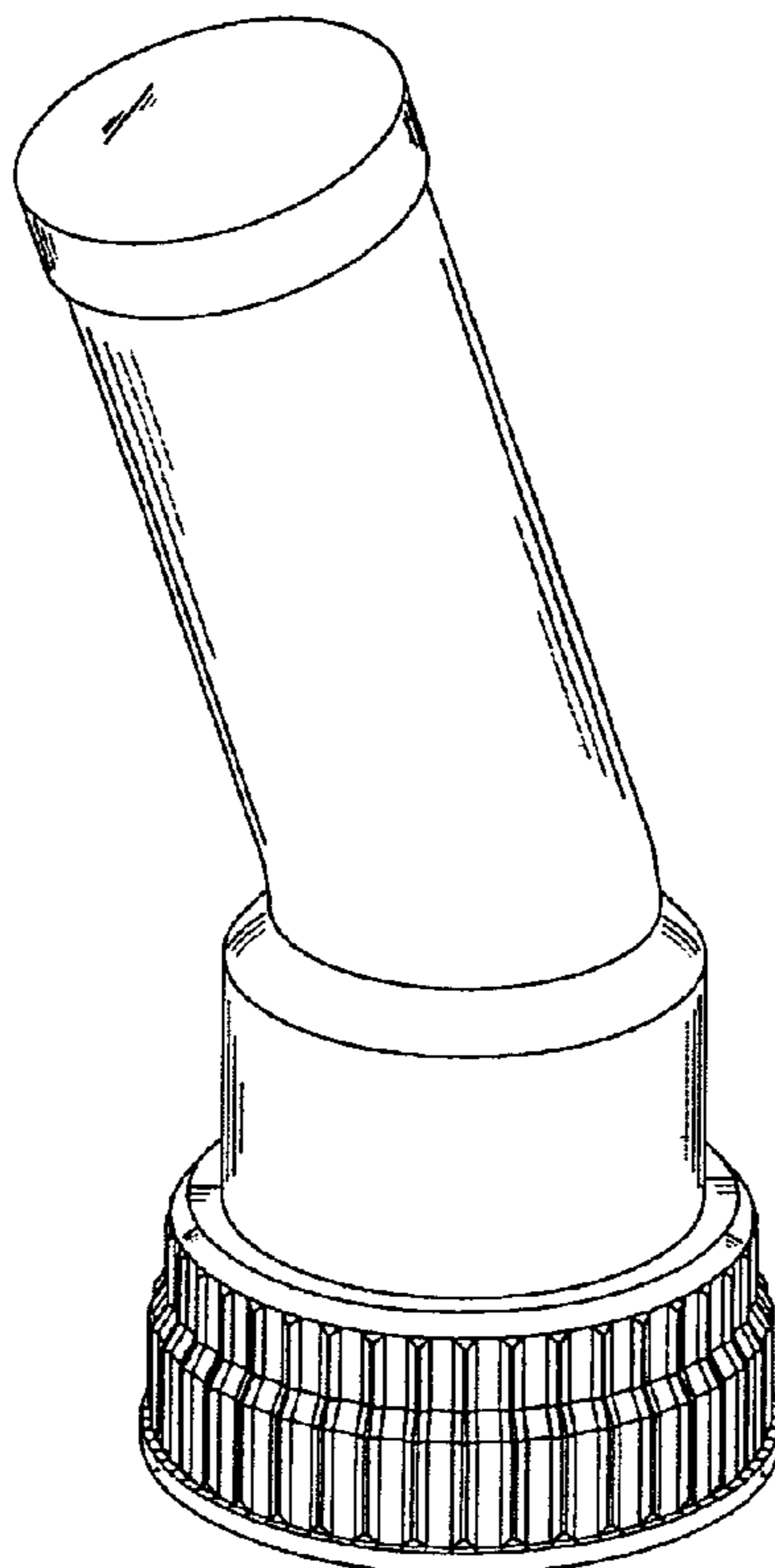
FIG. 3 is a rear view thereof;

FIG. 4 is a left side view with a right side view being the mirror image thereof;

FIG. 5 is a top view thereof; and,

FIG. 6 is a bottom view thereof.

1 Claim, 5 Drawing Sheets



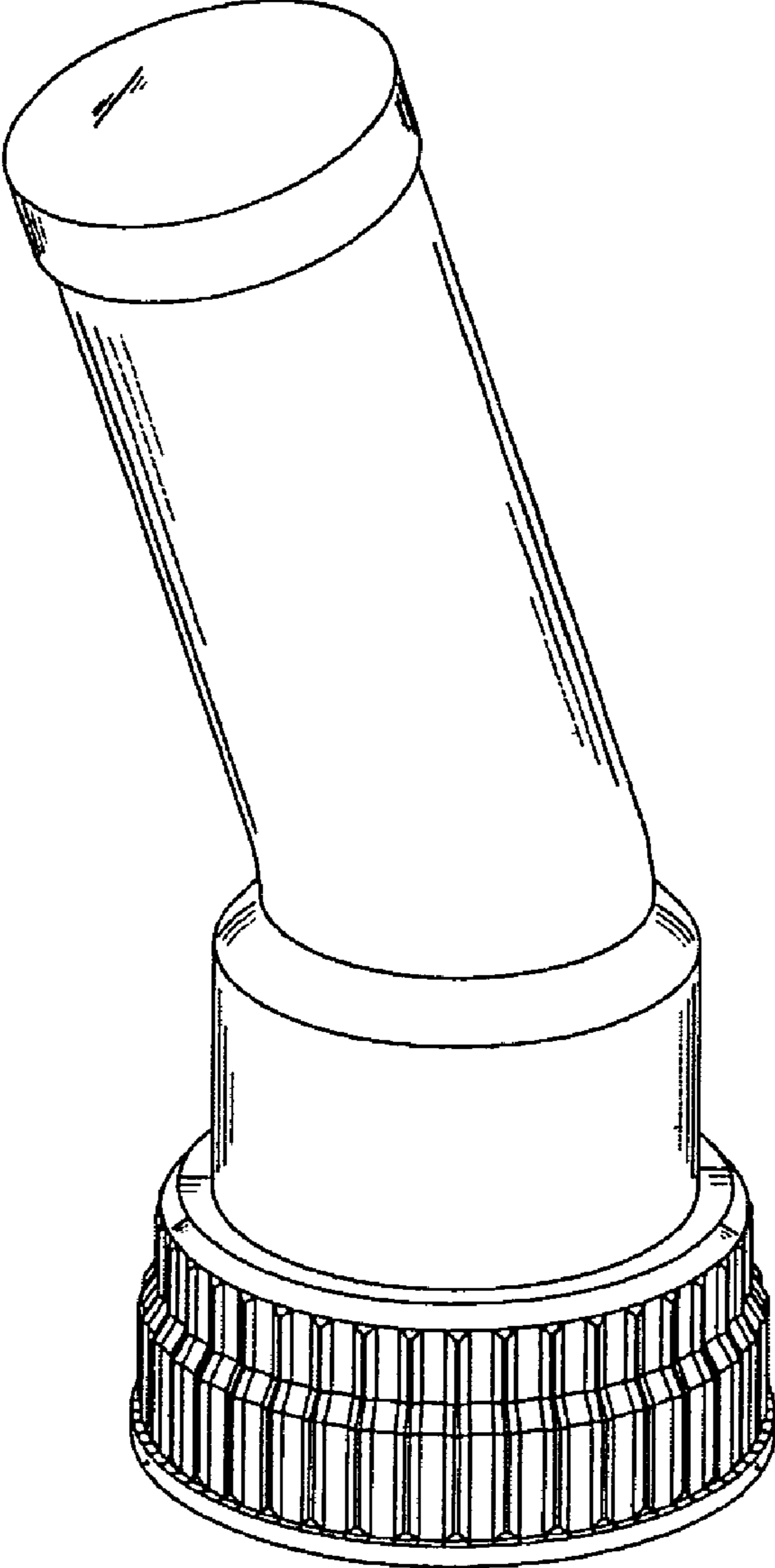


Fig. 1

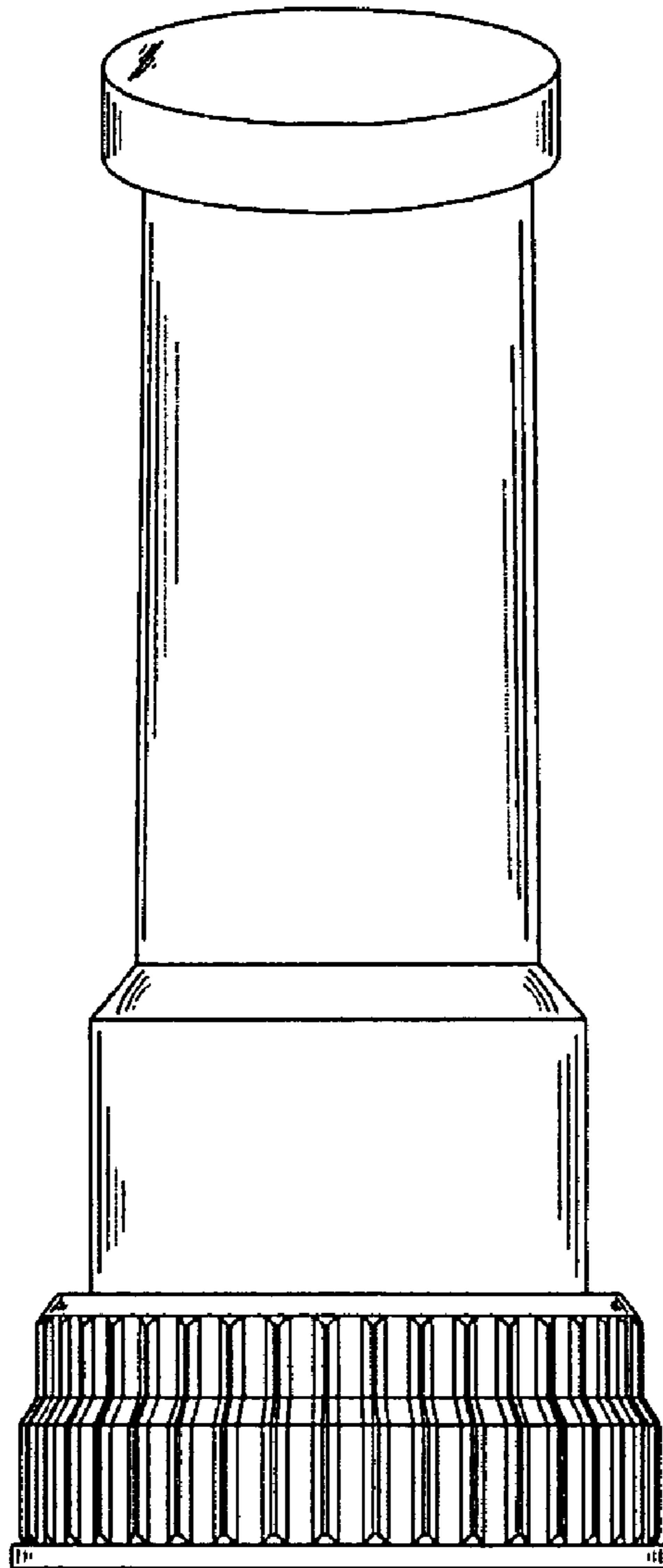


Fig. 2

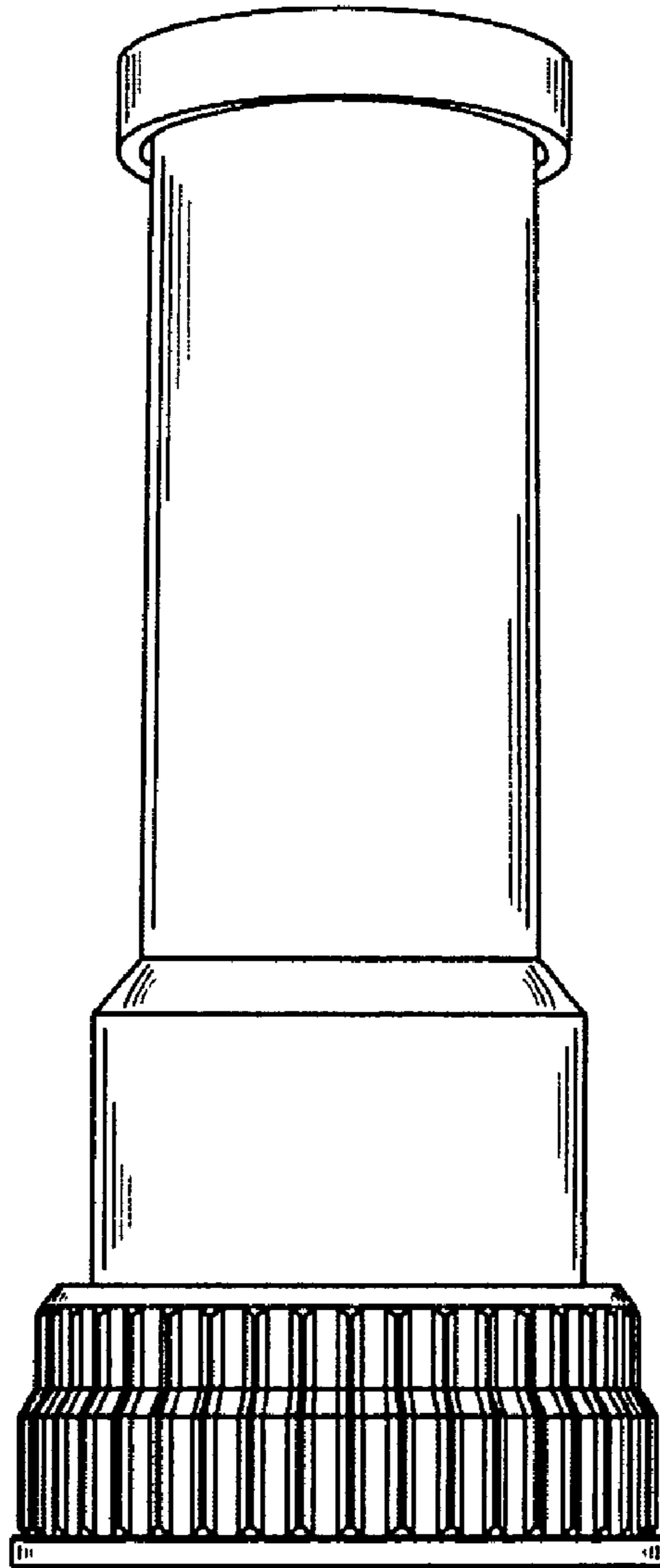


Fig. 3

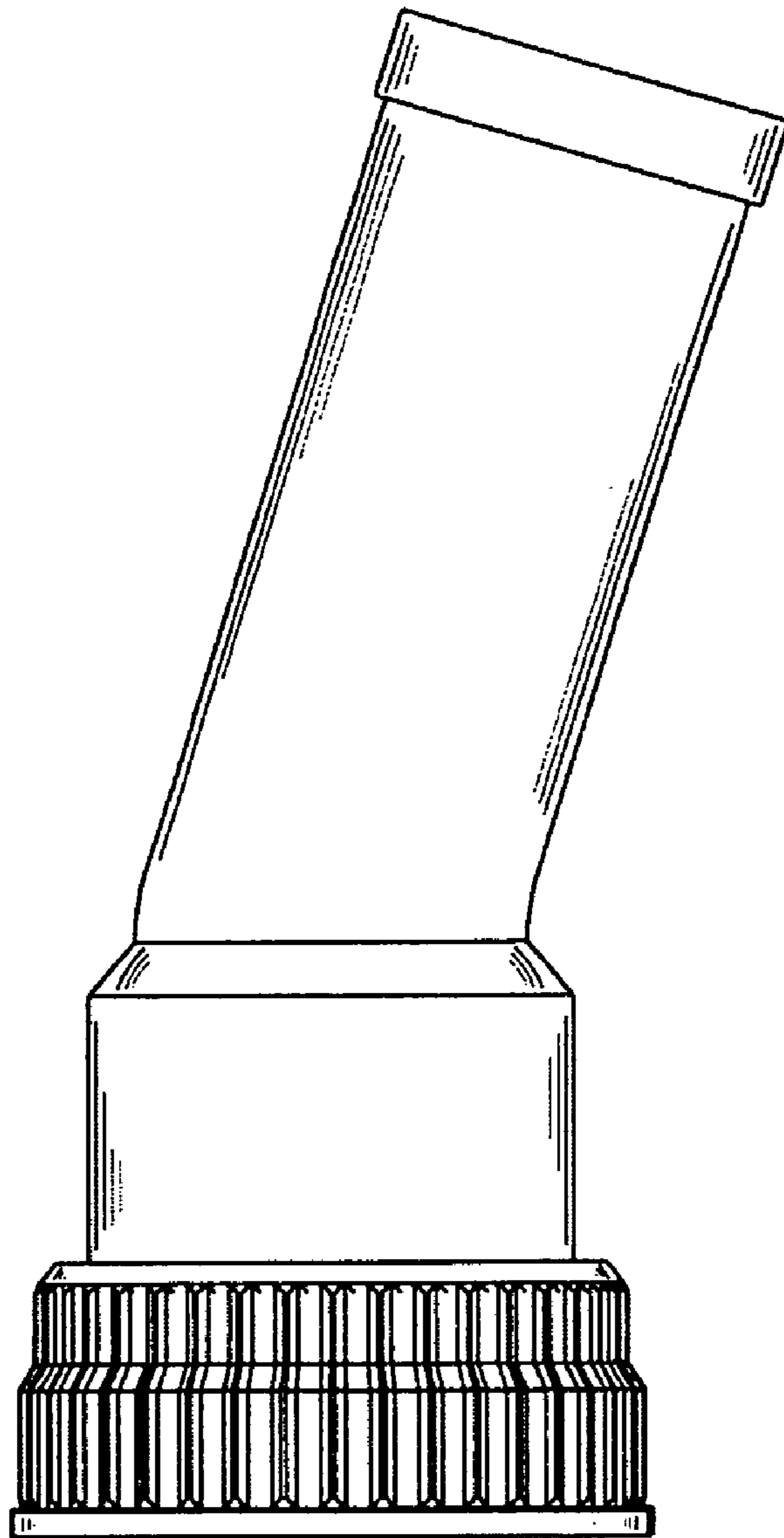


Fig. 4

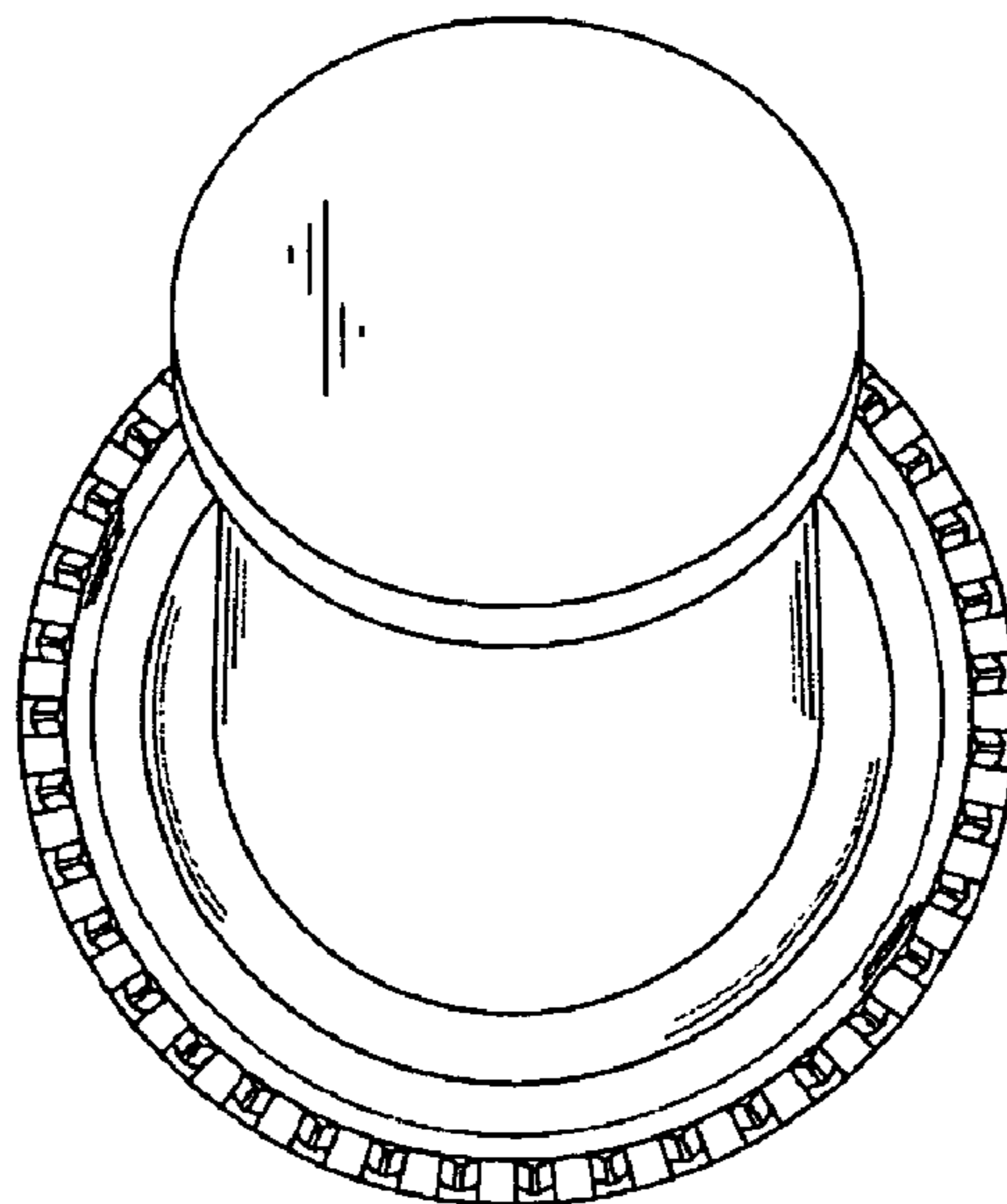


Fig. 5

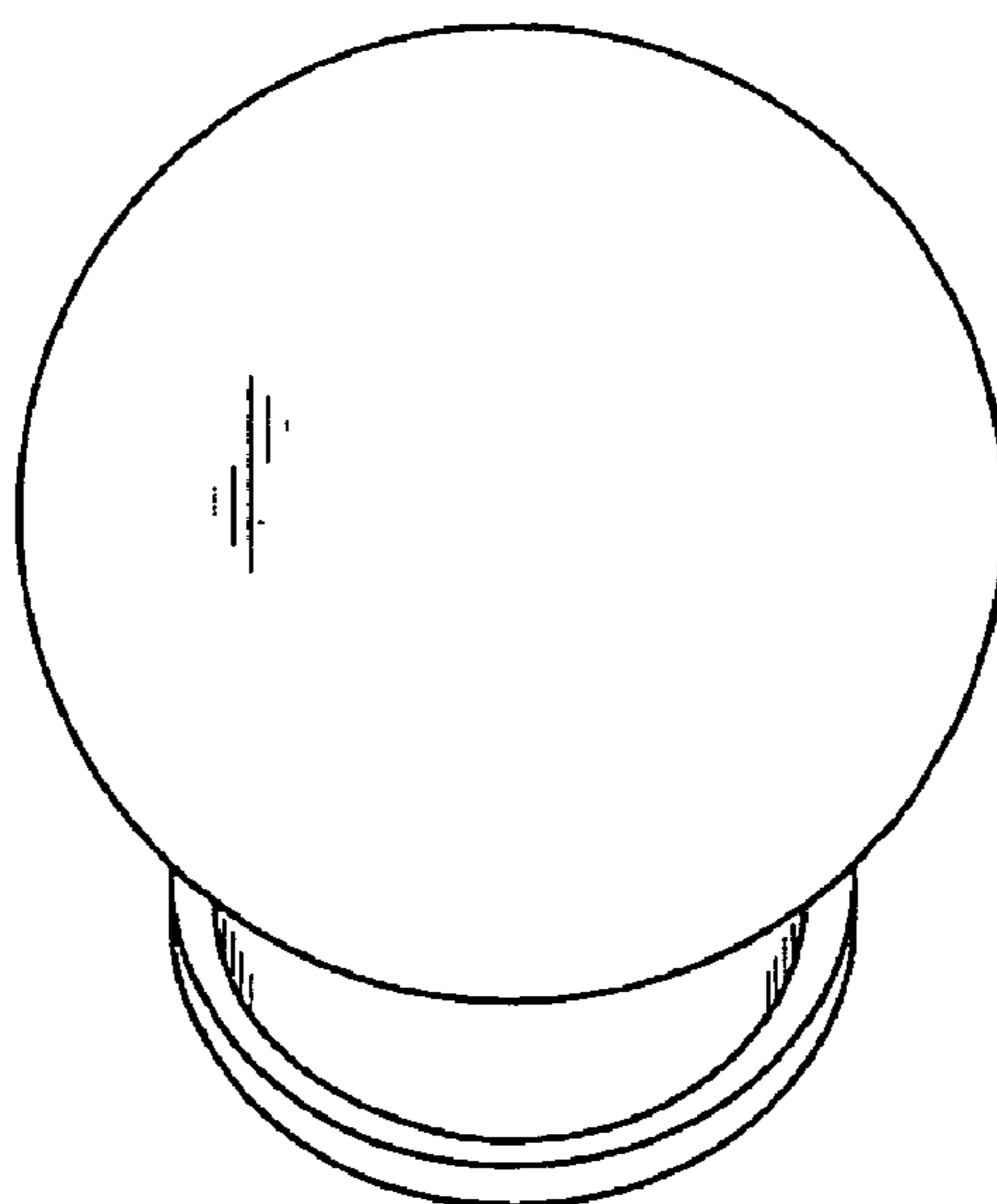


Fig. 6