



US00D604608S

(12) **United States Design Patent**
Lourenco

(10) **Patent No.:** **US D604,608 S**

(45) **Date of Patent:** **** Nov. 24, 2009**

(54) **STOPPER**

(76) Inventor: **Armindo Lourenco**, 140 rue Victor
Hugo, 62950 Noyelles-Godault (FR)

(**) Term: **14 Years**

(21) Appl. No.: **29/299,607**

(22) Filed: **Dec. 29, 2007**

(51) **LOC (9) Cl.** **09-07**

(52) **U.S. Cl.** **D9/440; D9/454**

(58) **Field of Classification Search** D9/454,
D9/448, 447, 443, 440, 439, 435, 434, 453,
D9/452, 686; D7/700, 398, 397, 312, 300,
D7/300.1; 81/3.2; 222/570, 231, 23, 113,
222/707, 447; 215/260, 228

See application file for complete search history.

(56) **References Cited**

U.S. PATENT DOCUMENTS

D242,023 S * 10/1976 Hunt D9/439

D505,622 S * 5/2005 Simons D9/439
D512,646 S * 12/2005 Py et al. D9/686
D577,998 S * 10/2008 Decottignies D9/448

* cited by examiner

Primary Examiner—Susan Bennett Hattan

(74) *Attorney, Agent, or Firm*—Wayne Edward Ramage;
Baker Donelson

(57) **CLAIM**

The ornamental design for a stopper, as shown and described.

DESCRIPTION

FIG. 1 is a front perspective view of the design.

FIG. 2 is a right side view of the design.

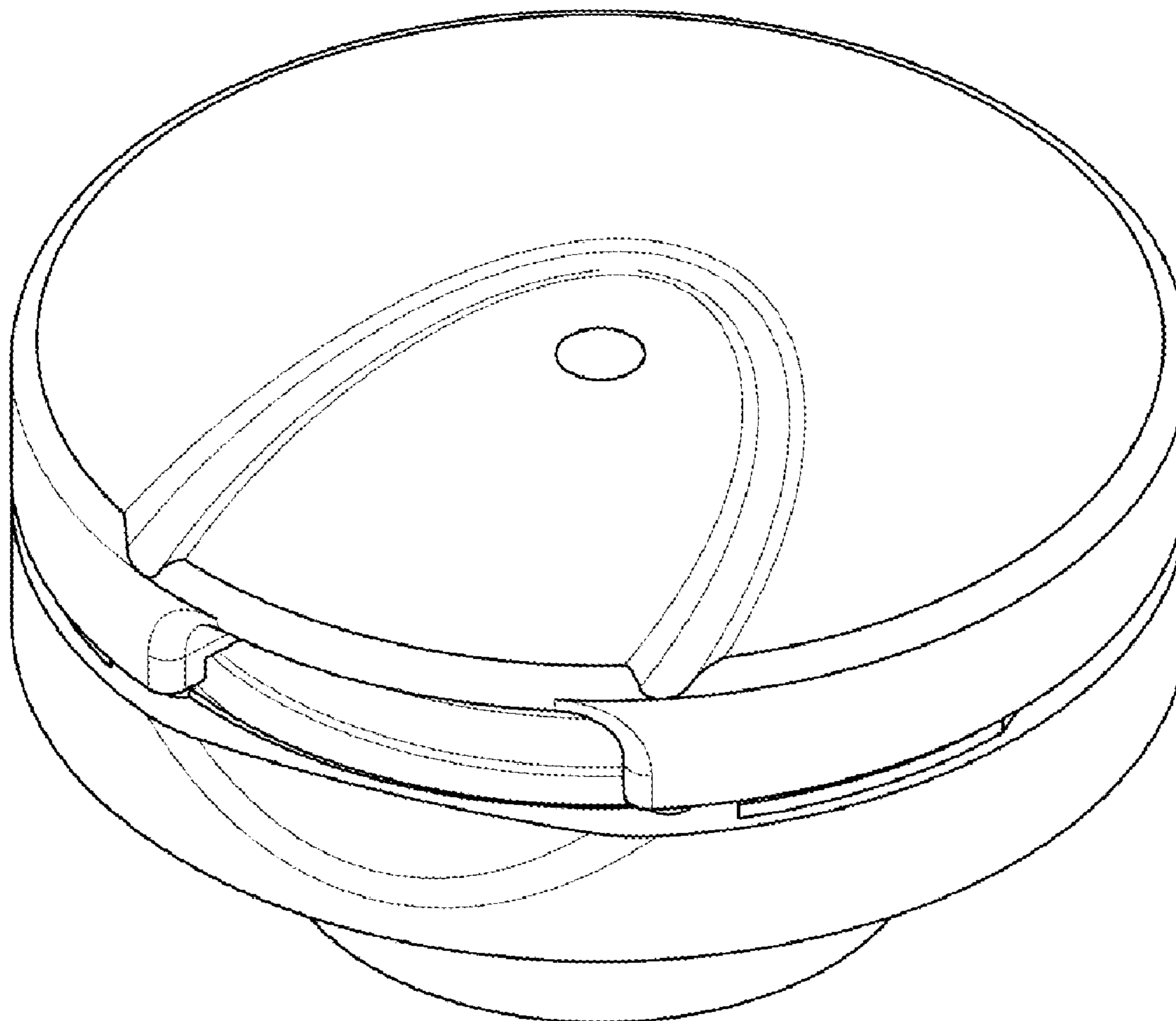
FIG. 3 is a left side view of the design.

FIG. 4 is a top side view of the design.

FIG. 5 is a front view of the design; and,

FIG. 6 is a back view of the design.

1 Claim, 3 Drawing Sheets



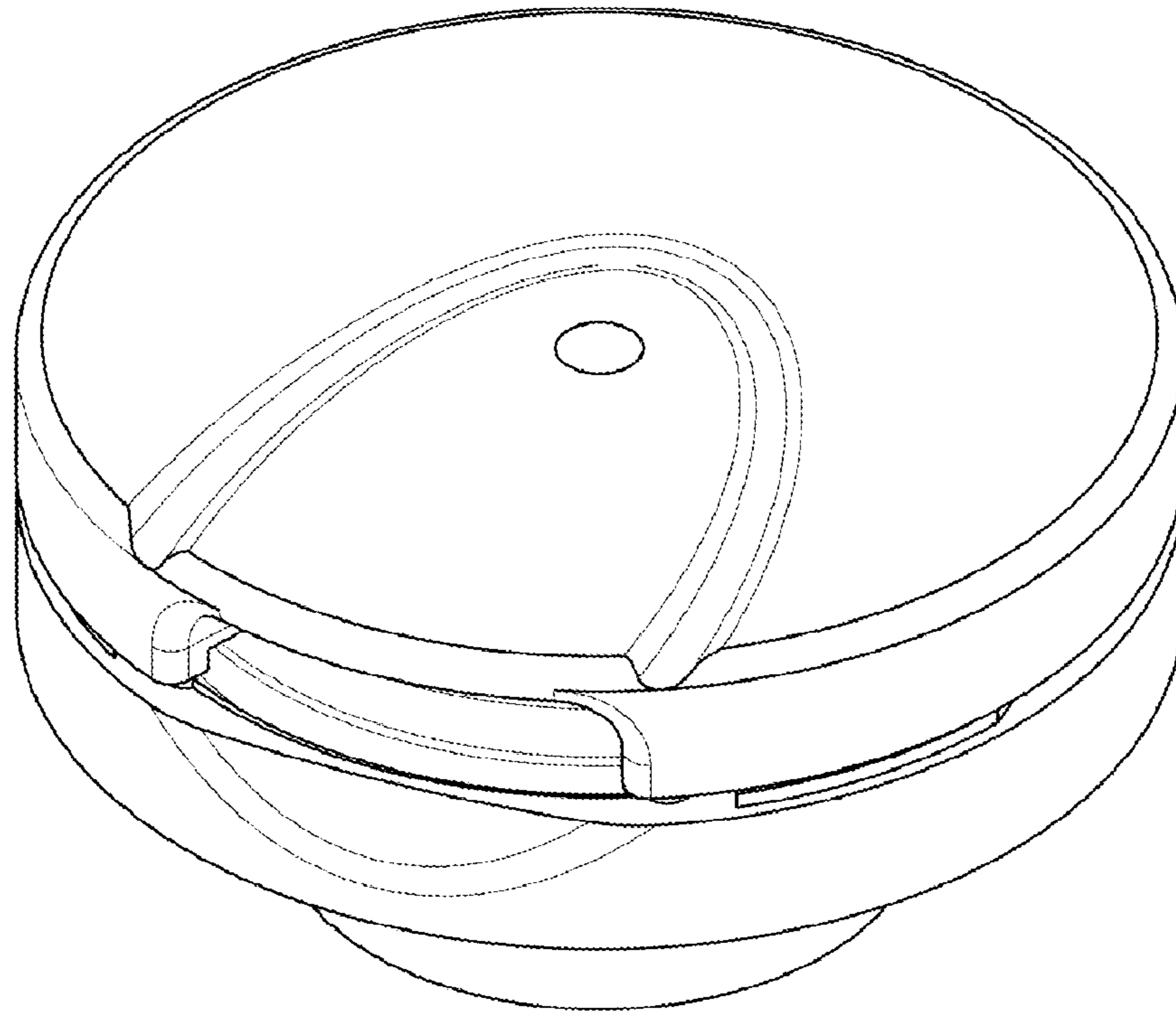


FIGURE 1

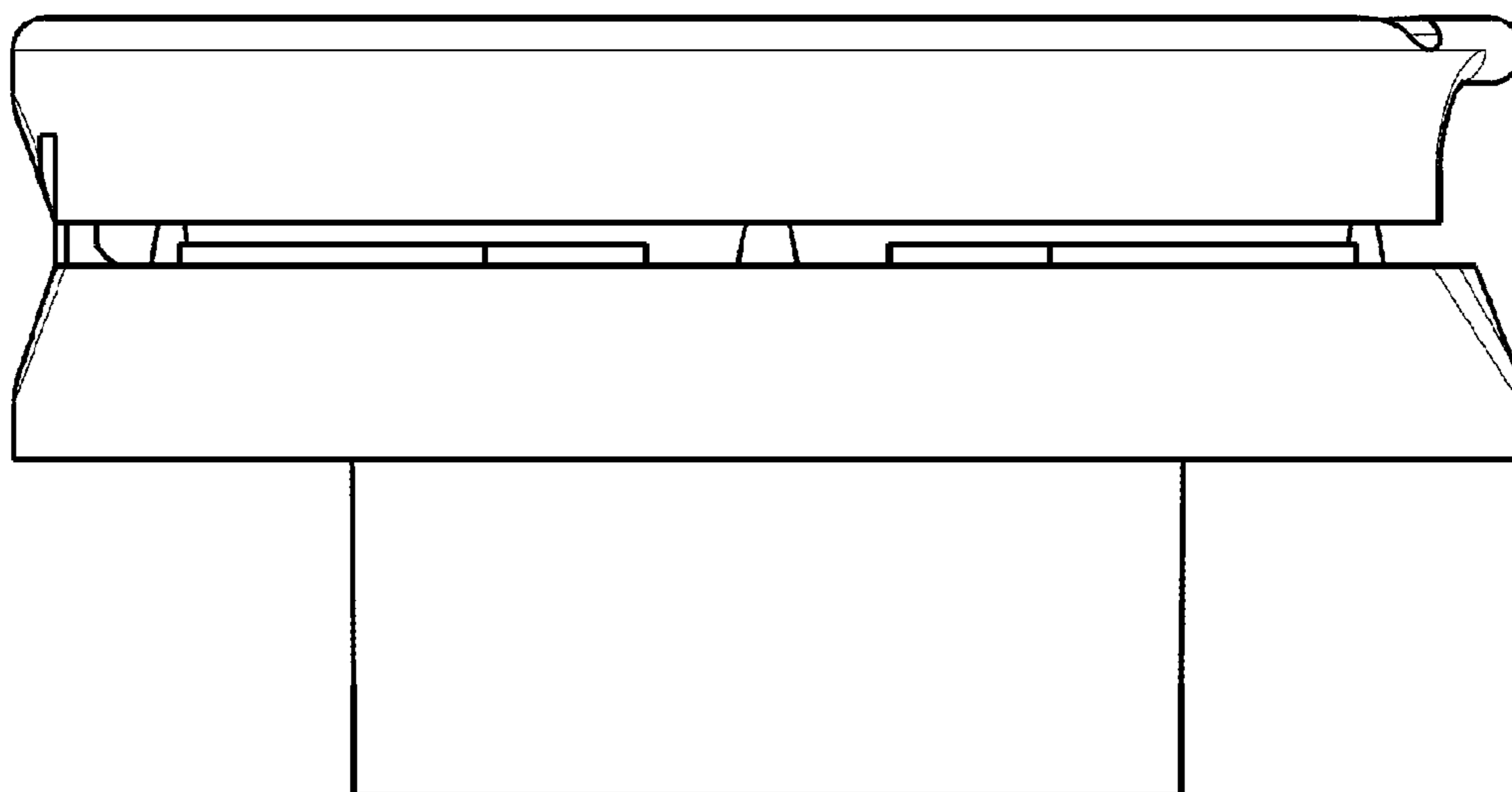


FIGURE 2

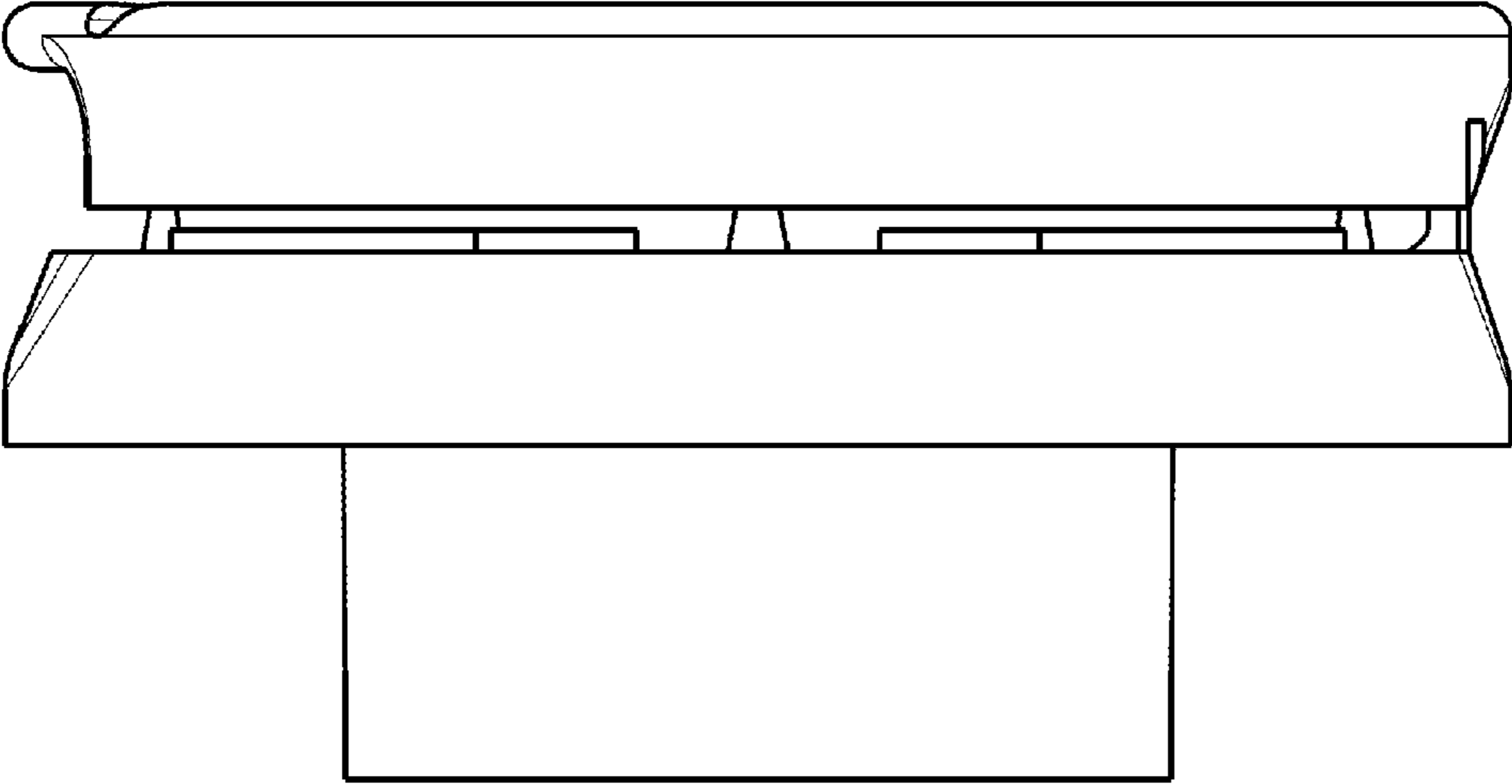


FIGURE 3

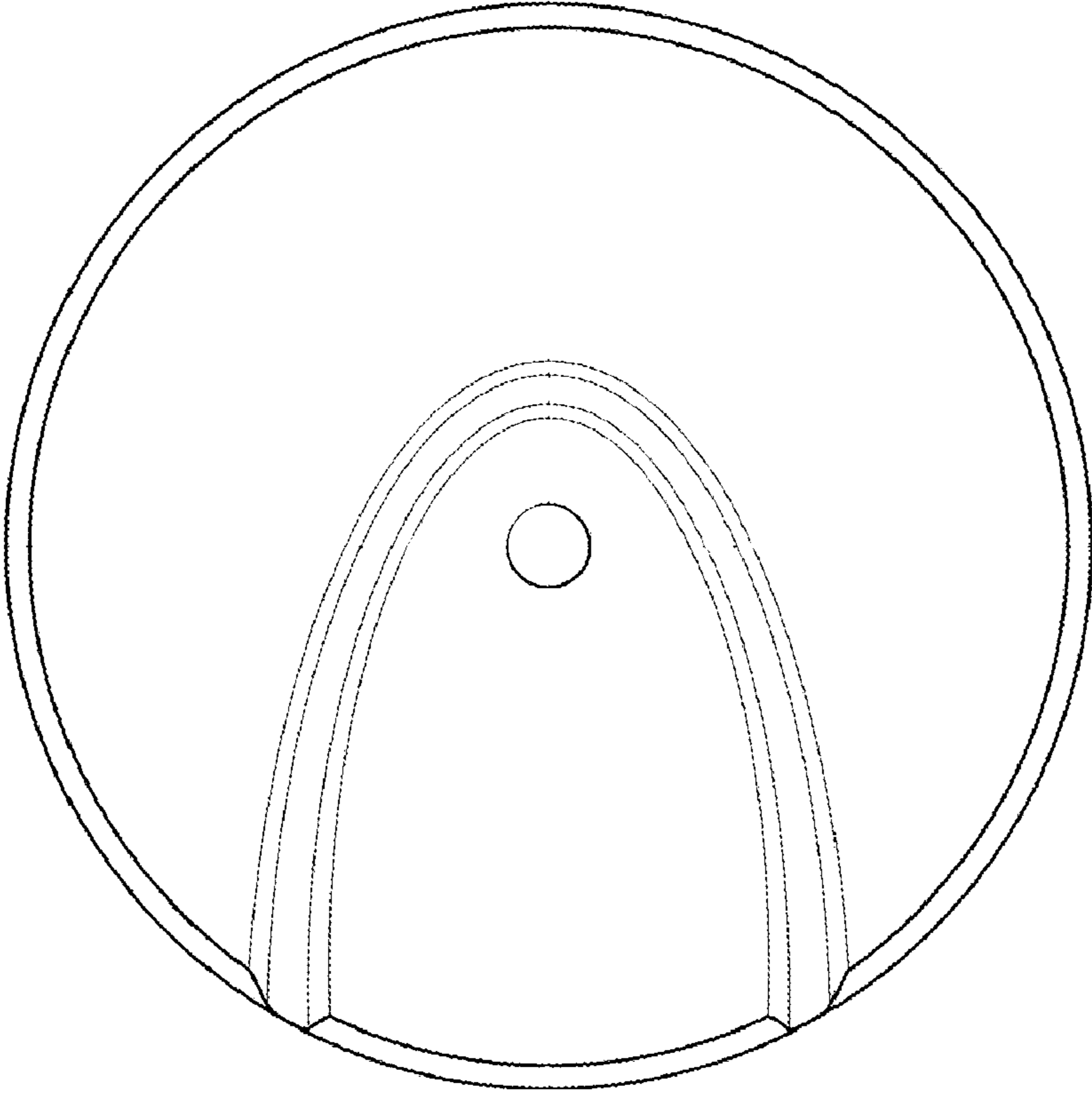


FIGURE 4

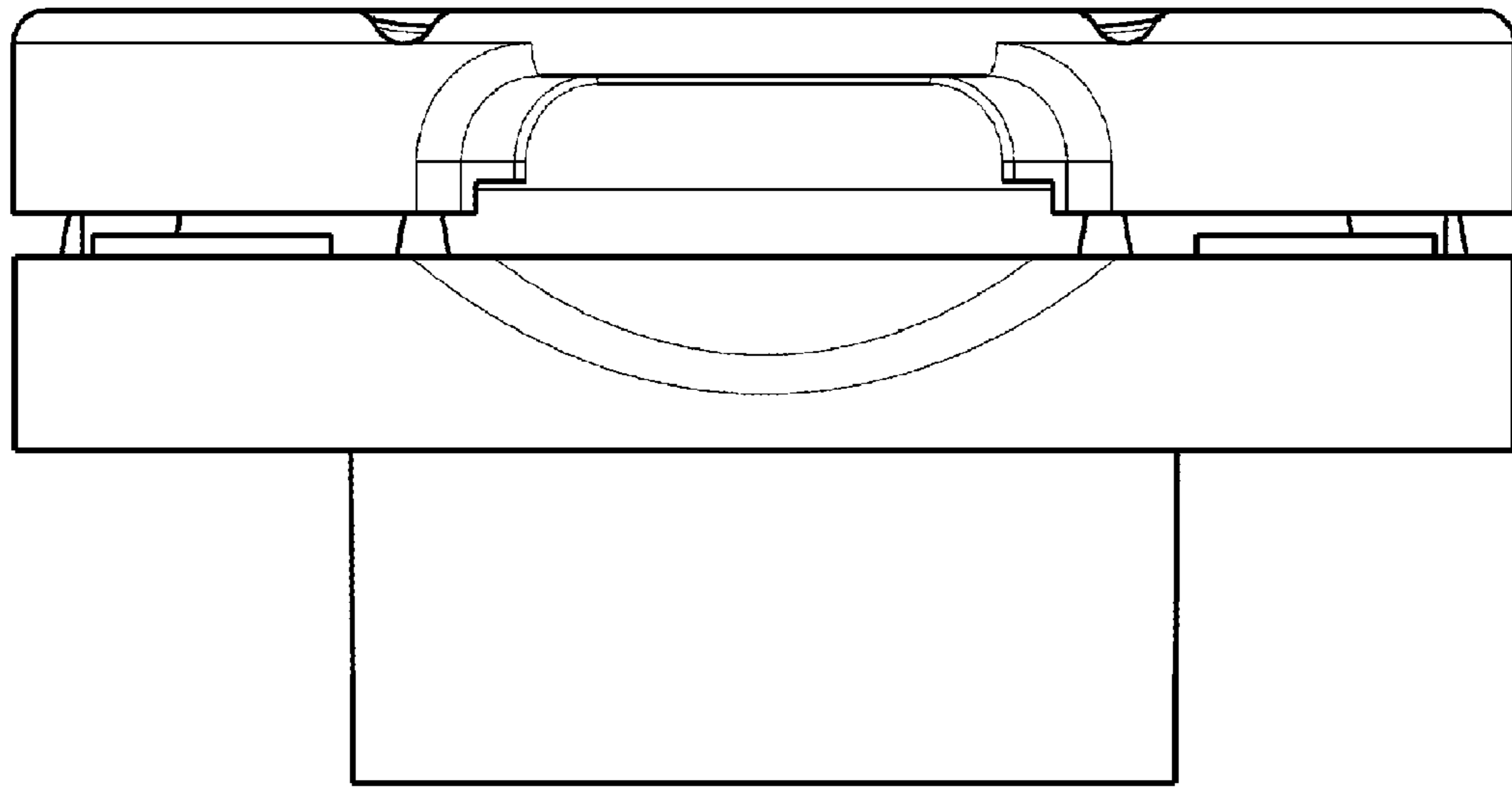


FIGURE 5

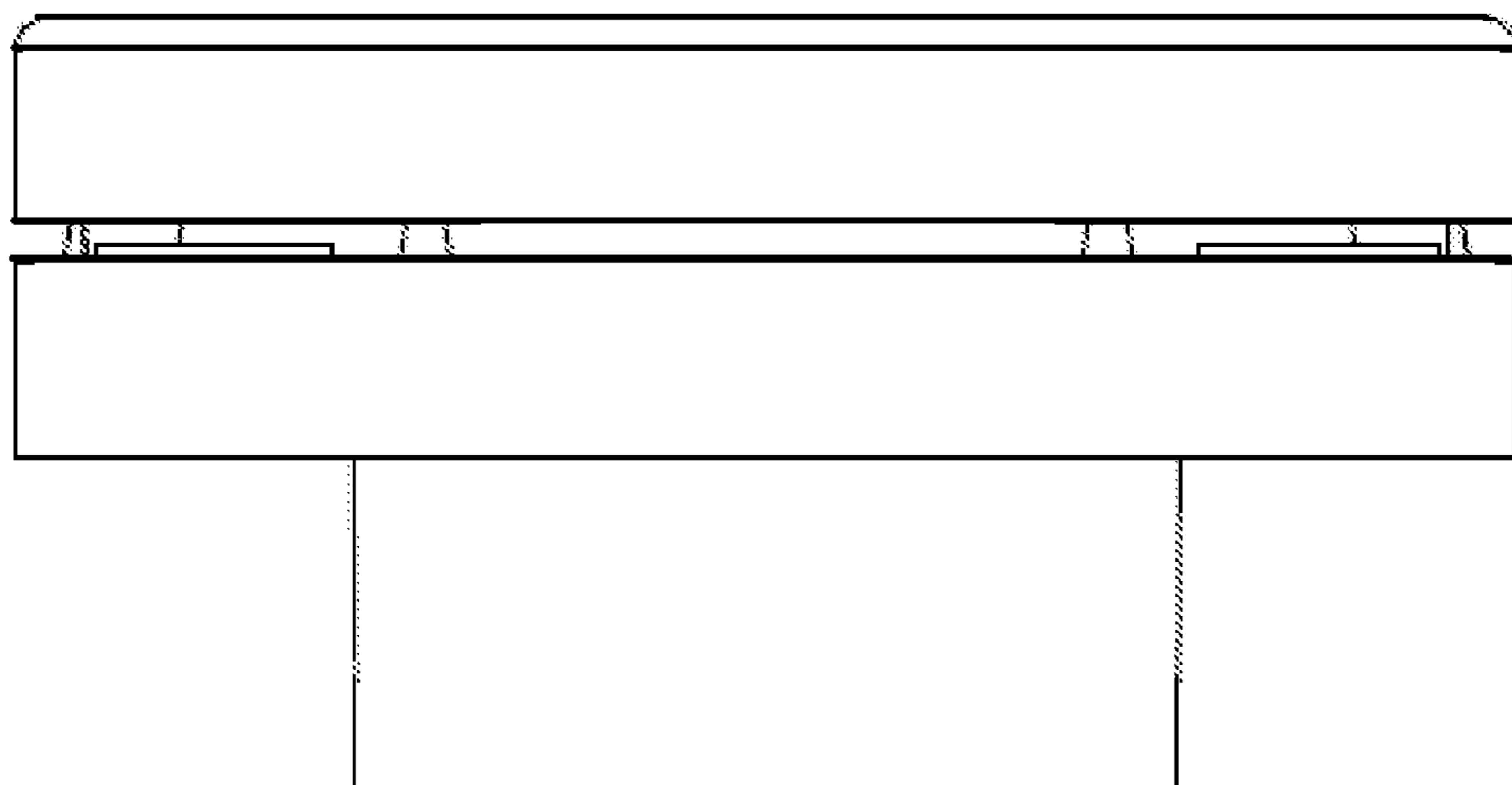


FIGURE 6