



US00D604605S

(12) **United States Design Patent**
Chung et al.

(10) **Patent No.:** **US D604,605 S**

(45) **Date of Patent:** **** Nov. 24, 2009**

(54) **PACKAGING CONTAINER FOR ELECTRONIC GOODS**

(75) Inventors: **Yeon-Moo Chung**, Seoul (KR);
Seong-Min Kwon, Goyang-si (KR)

(73) Assignee: **Samsung Electronics Co., Ltd.**,
Suwon-Si (KR)

(**) Term: **14 Years**

(21) Appl. No.: **29/287,643**

(22) Filed: **Aug. 31, 2007**

(51) **LOC (9) Cl.** **09-03**

(52) **U.S. Cl.** **D9/432**

(58) **Field of Classification Search** D9/430–433,
D9/414–418, 420–429, 560, 561, 435, 445,
D9/500, 504, 522, 529, 559, 686–688, 726,
D9/727, 901, 905; D3/273, 302, 315, 317,
D3/304, 305, 307, 309–312, 314, 318, 901,
D3/905; 206/454, 457, 775–778, 781–783,
206/822; 229/93, 100, 103.3, 104–106, 108,
229/108.1, 109, 110, 111, 112, 115, 120,
229/125.015, 162.1, 162.3–162.7, 182.1,
229/215, 247, 406, 407, 902, 920, 922, 930,
229/942; D7/629; D28/76, 85, 88

See application file for complete search history.

(56) **References Cited**

U.S. PATENT DOCUMENTS

2,575,770	A *	11/1951	Roop	206/514
3,043,354	A *	7/1962	Fitzgerald	220/4.23
D194,198	S *	12/1962	Van Dyck	D9/418
D195,434	S *	6/1963	Monjonner	D9/523
3,142,422	A *	7/1964	Mojonnier	222/566
D202,133	S *	8/1965	Marchant	D9/424
3,645,594	A *	2/1972	Cintz	312/100
3,790,018	A *	2/1974	Farkas	220/4.26
D238,978	S *	2/1976	Getchell, Jr.	D3/272
4,012,087	A *	3/1977	Edwards, Jr.	312/183
4,101,023	A *	7/1978	Schuander	206/6.1

D254,414	S *	3/1980	Gajewski	D6/471
D254,720	S *	4/1980	Schuander	D9/423
4,226,358	A *	10/1980	Ottow	220/4.24
D271,180	S *	11/1983	Runyon	D9/520
D273,051	S *	3/1984	Runyon	D28/76
4,605,127	A *	8/1986	Magnussen, Jr.	206/525
4,739,353	A *	4/1988	Heuer et al.	206/316.2
D308,636	S *	6/1990	Dinand	D9/424
D324,497	S *	3/1992	Denton	D9/432

(Continued)

Primary Examiner—T. Chase Nelson

Assistant Examiner—Karen Acker

(74) *Attorney, Agent, or Firm*—Staas & Halsey LLP

(57) **CLAIM**

The ornamental design for a packaging container for electronic goods, as shown and described.

DESCRIPTION

FIG. 1 is a perspective view of a packaging container for electronic goods according to our new design;

FIG. 2 is a front elevational view thereof;

FIG. 3 is a left side elevational view thereof;

FIG. 4 is a top plan view thereof;

FIG. 5 is a bottom plan view thereof;

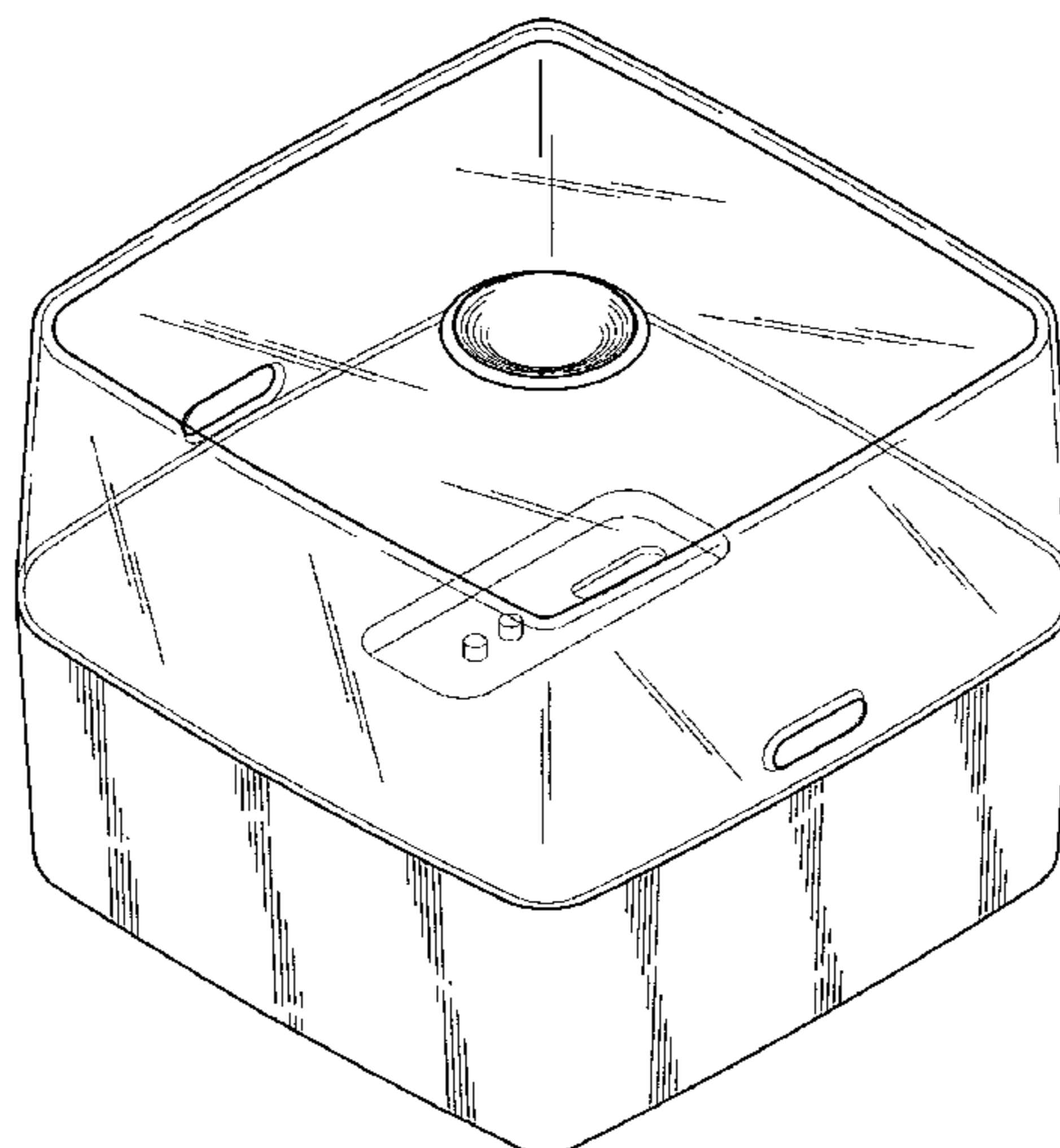
FIG. 6 is a perspective view thereof, with the broken line showing a camcorder placed in the packaging container for electronic goods, being for illustrative purposes only and forming no part of the claimed design;

FIG. 7 is a sectional view taken along the line 7—7 of FIG. 2; and,

FIG. 8 is a sectional view taken along the line 8—8 of FIG. 4. The structure shown in broken line represents unclaimed portions of the design and forms no part of the claimed design.

The broken lines in the drawings are for illustrative Purpose only and form no part of the claimed design.

1 Claim, 8 Drawing Sheets



US D604,605 S

Page 2

U.S. PATENT DOCUMENTS

D327,423 S *	6/1992	Turner-Adams	D9/655	D473,789 S *	4/2003	Crawford et al.	D9/430
D332,917 S *	2/1993	McDevitt et al.	D9/423	D478,513 S *	8/2003	Canamasas Puigbo	D9/529
D334,499 S *	4/1993	Meisner et al.	D6/515	D484,646 S *	12/2003	Ditrichstein	D28/83
5,323,926 A *	6/1994	Pomroy et al.	220/526	D484,797 S *	1/2004	Kipperman et al.	D9/424
D369,469 S *	5/1996	Gregory	D3/319	D505,517 S *	5/2005	Baresi et al.	D28/76
D382,809 S *	8/1997	Aldrich et al.	D9/529	D505,546 S *	5/2005	Lau	D3/273
5,944,210 A *	8/1999	Yetter	220/4.21	D506,867 S *	7/2005	Galan	D3/273
6,047,833 A *	4/2000	Salomon	206/765	D518,857 S *	4/2006	Miller	D20/29
6,102,233 A *	8/2000	Waugh	220/23.86	D543,453 S *	5/2007	Fu et al.	D9/432
D437,779 S *	2/2001	Randall et al.	D9/418				

* cited by examiner

FIG.1

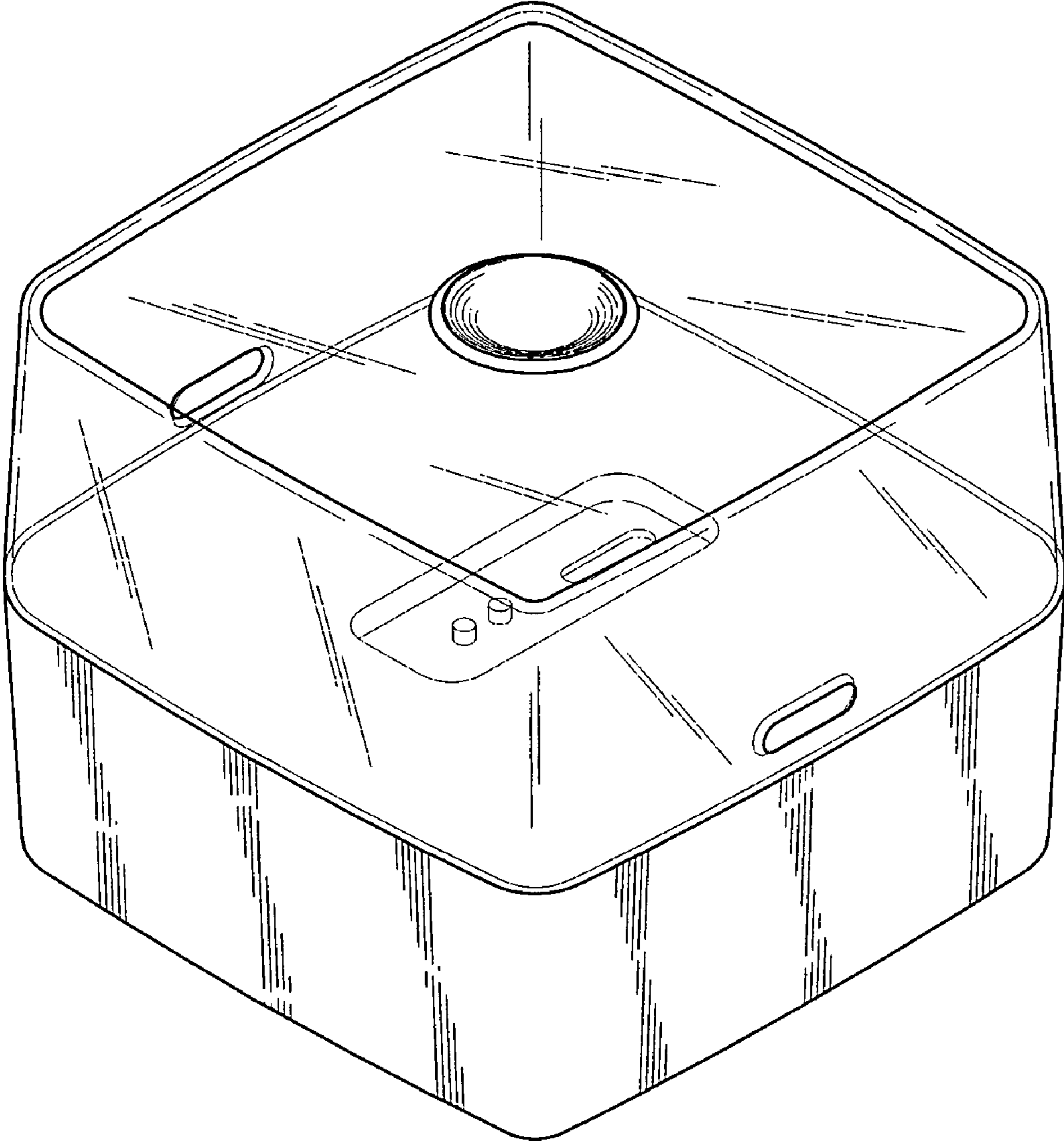


FIG.2

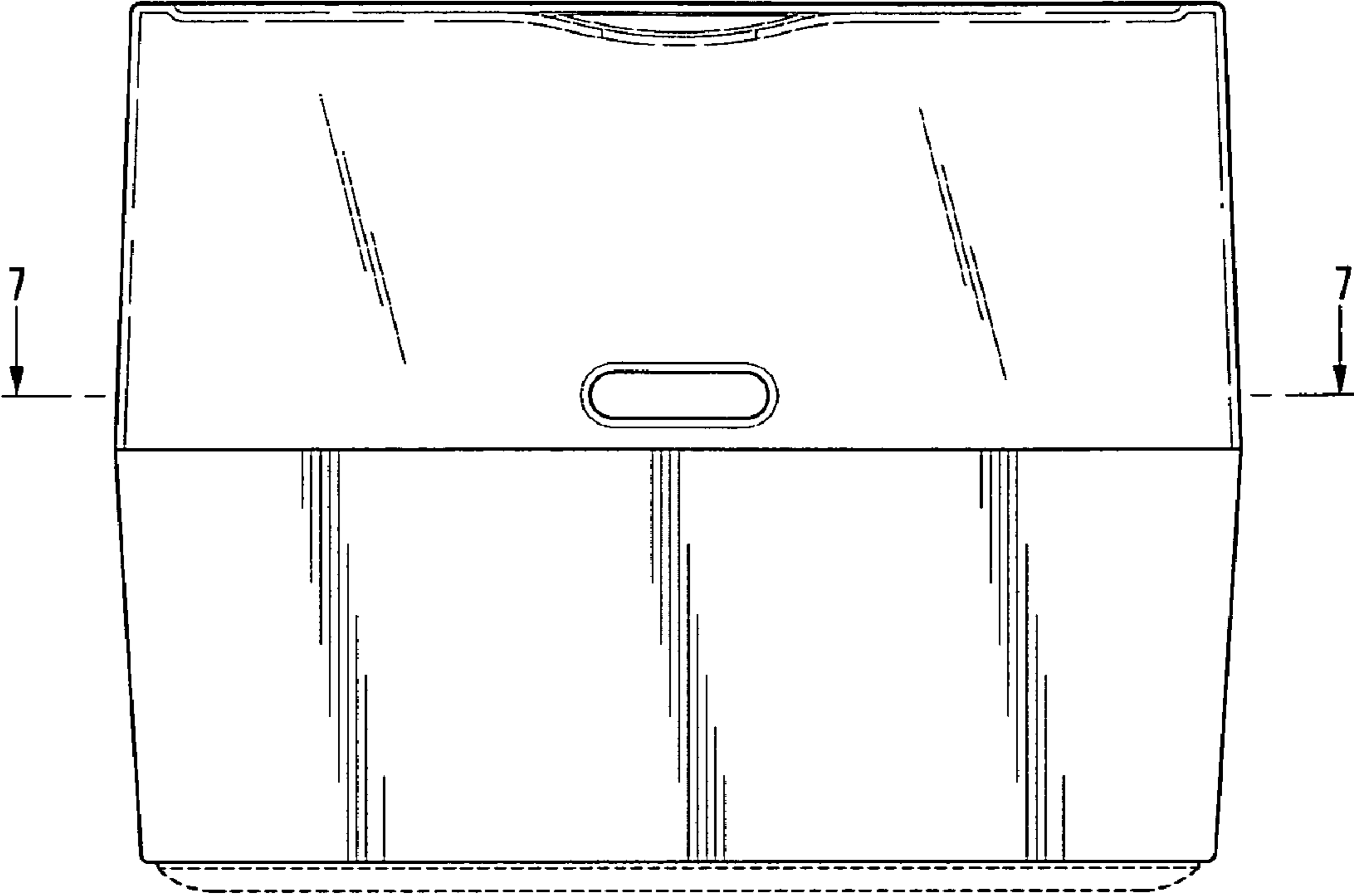


FIG.3

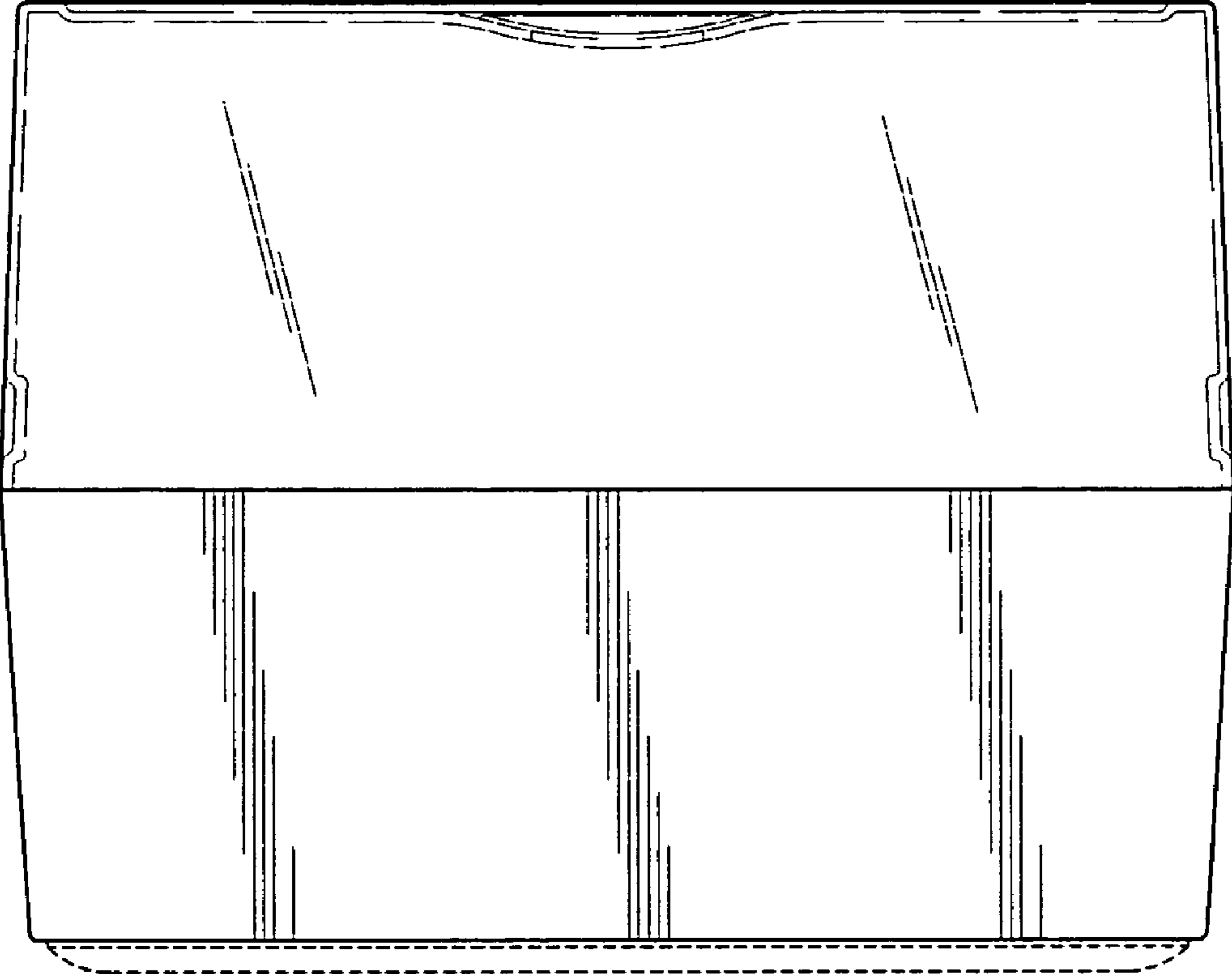


FIG.4

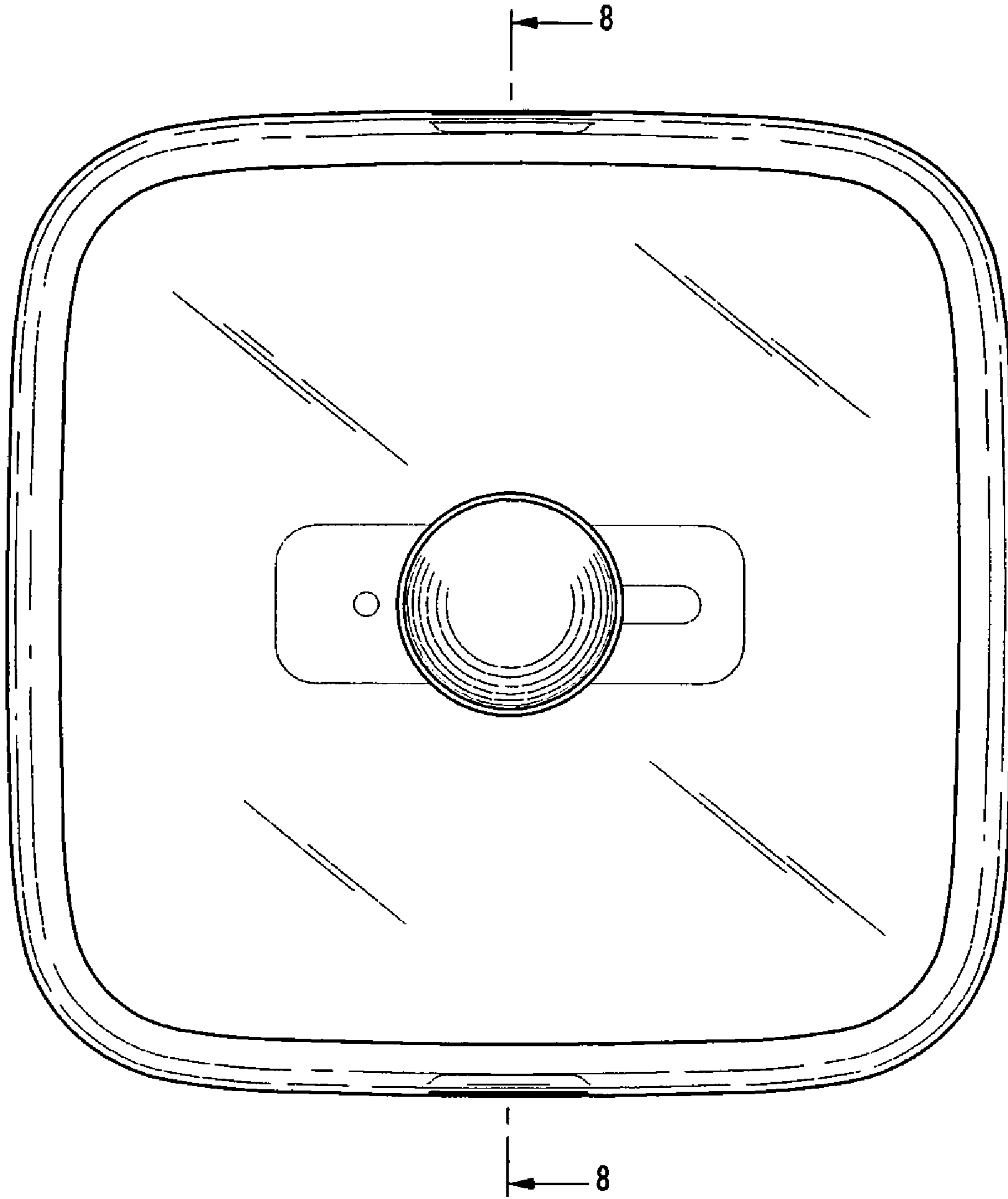


FIG.5

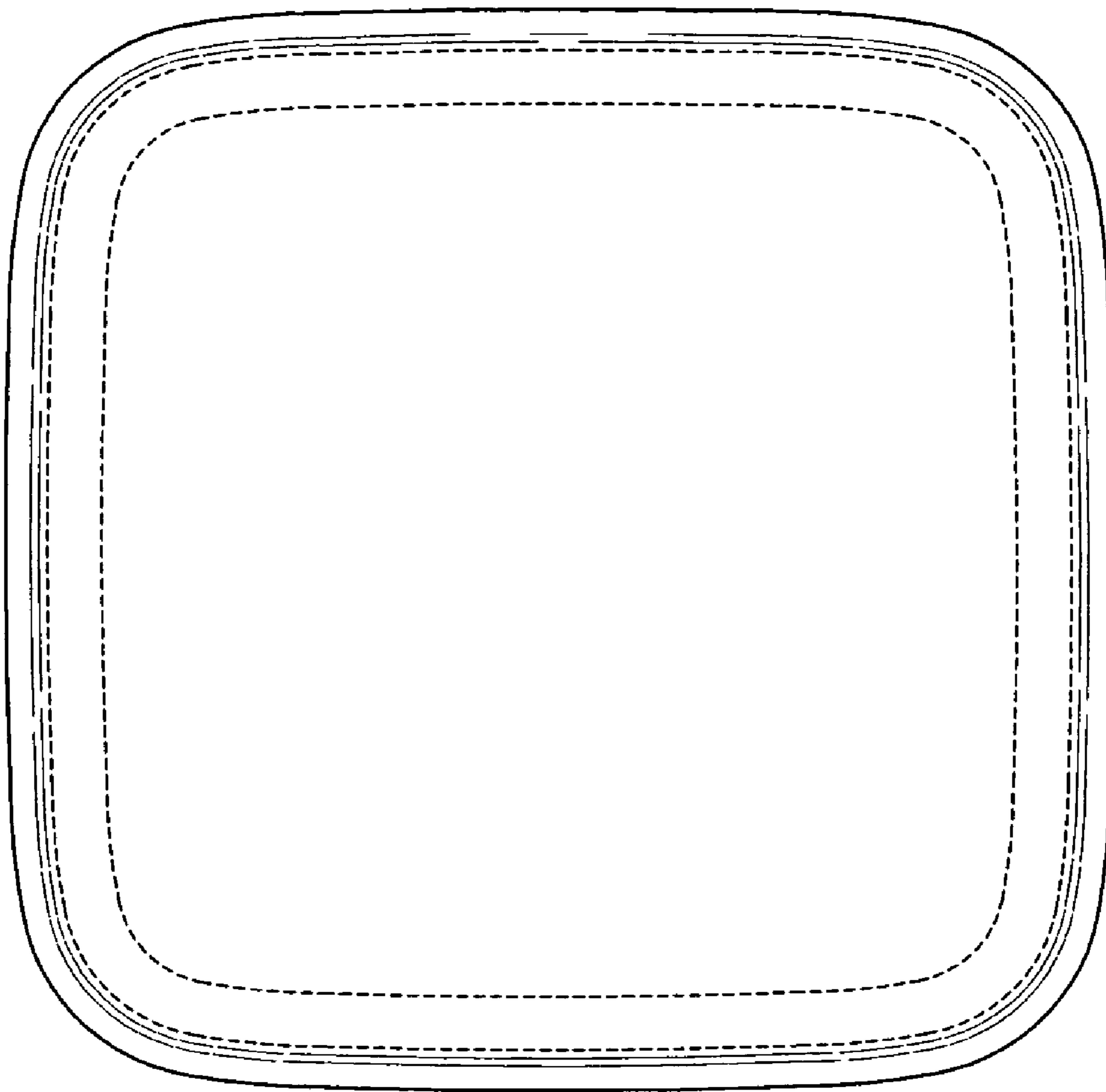


FIG.6

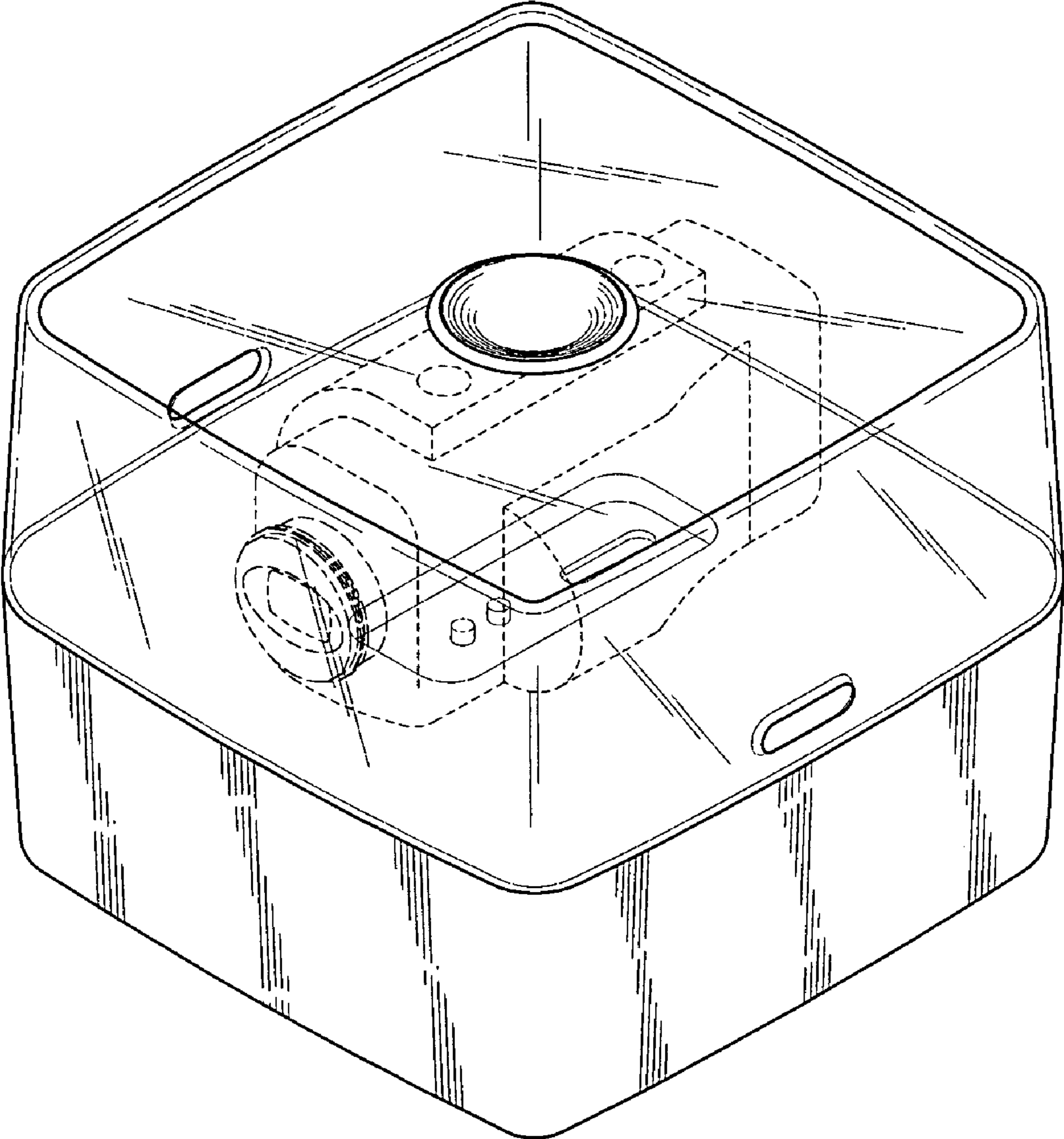


FIG. 7

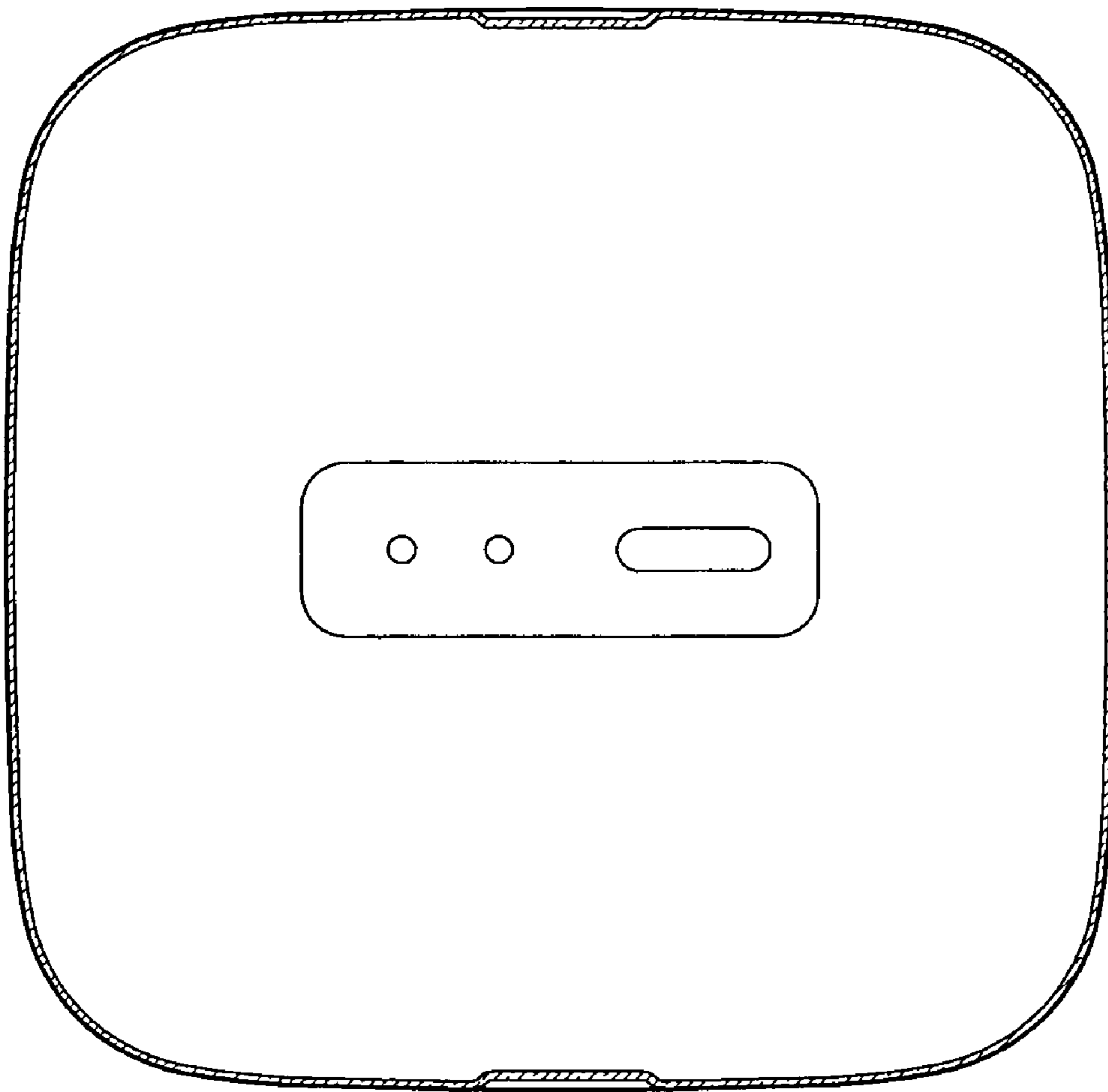


FIG.8

