



US00D604602S

(12) **United States Design Patent**
Kohno

(10) **Patent No.:** **US D604,602 S**

(45) **Date of Patent:** **** Nov. 24, 2009**

(54) **PACKING BOX**

(75) Inventor: **Masaru Kohno**, Kobe (JP)

(73) Assignee: **SRI Sports Ltd.**, Kobe (JP)

(**) Term: **14 Years**

(21) Appl. No.: **29/332,850**

(22) Filed: **Feb. 26, 2009**

(30) **Foreign Application Priority Data**

Nov. 17, 2008 (JP) D2008-029375

(51) **LOC (9) Cl.** **09-03**

(52) **U.S. Cl.** **D9/418**

(58) **Field of Classification Search** D9/414-433;
206/205, 495, 733, 769, 773, 777-779, 781-783;
229/120, 148, 154, 162.1, 162.3, 162.6, 162.7
See application file for complete search history.

(56) **References Cited**

U.S. PATENT DOCUMENTS

- D47,574 S * 7/1915 Warren D9/418
- D105,355 S * 7/1937 Herz D9/418
- D129,731 S * 9/1941 Luttrell D9/418
- 2,398,797 A * 4/1946 Stein et al. 229/148
- D156,308 S * 11/1949 Ash D9/418
- D297,414 S * 8/1988 Feuerstein D9/416
- D315,305 S * 3/1991 Arai et al. D9/432
- D334,498 S * 4/1993 Romme et al. D6/515
- D446,114 S * 8/2001 Stephens D9/418

- D454,455 S * 3/2002 Ong D6/518
- D466,733 S * 12/2002 Ong D6/518
- D570,210 S * 6/2008 McGrath D9/418
- 2004/0094437 A1 * 5/2004 Dailey, III 206/205

FOREIGN PATENT DOCUMENTS

- JP 1206574 S 5/2004
- JP 1207004 S 5/2004
- JP 1207005 S 5/2004
- JP 1207006 S 5/2004
- JP 1207007 S 5/2004

* cited by examiner

Primary Examiner—Philip S Hyder

Assistant Examiner—Susan E Krakower

(74) *Attorney, Agent, or Firm*—Birch, Stewart, Kolasch & Birch, LLP

(57) **CLAIM**

The ornamental design for a packing box, as shown and described.

DESCRIPTION

FIG. 1 is a perspective view of a packing box;

FIG. 2 is a front view thereof;

FIG. 3 is a rear view thereof;

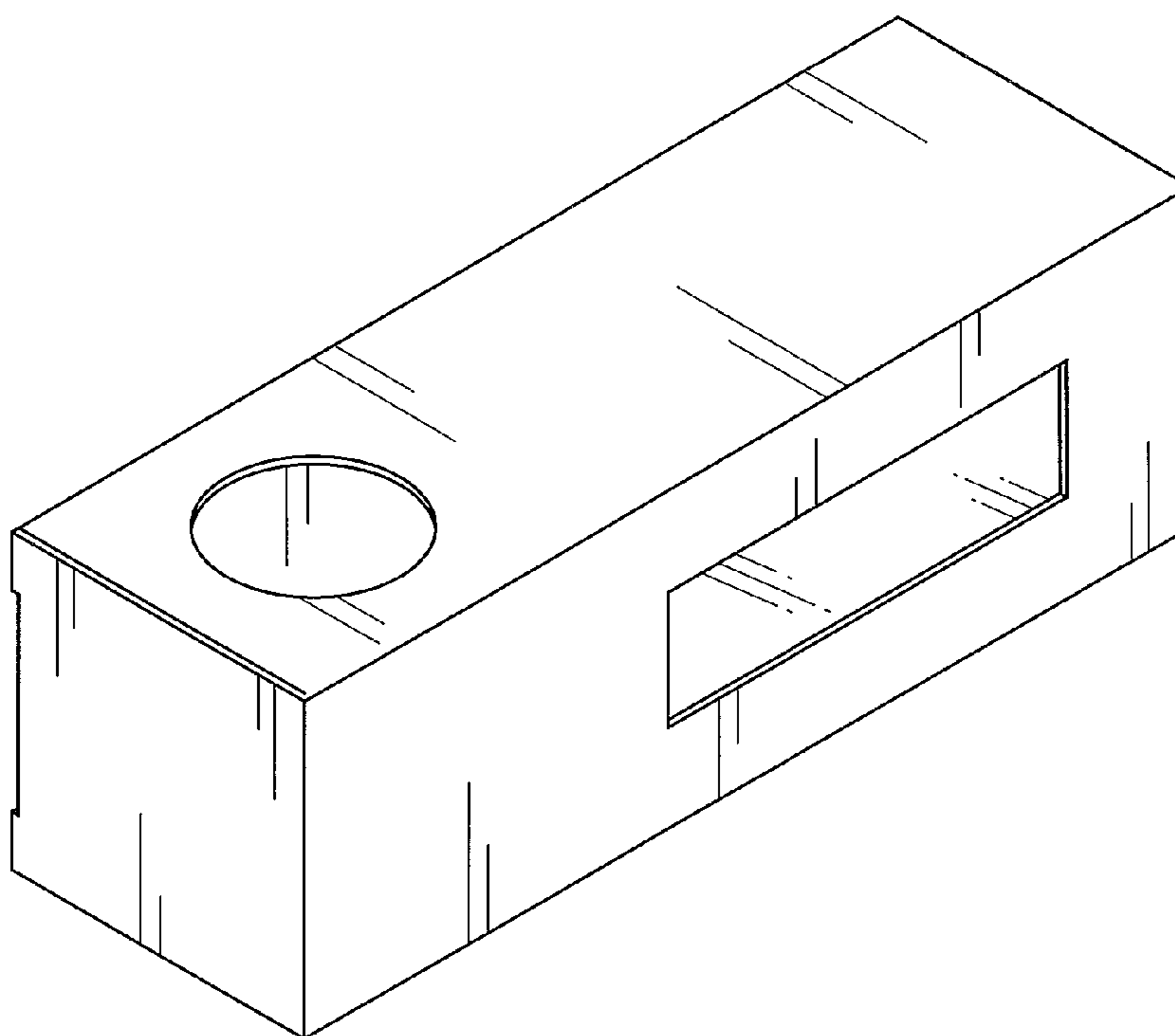
FIG. 4 is a left side view thereof;

FIG. 5 is a right side view thereof;

FIG. 6 is a top view thereof; and,

FIG. 7 is a bottom view thereof.

1 Claim, 2 Drawing Sheets



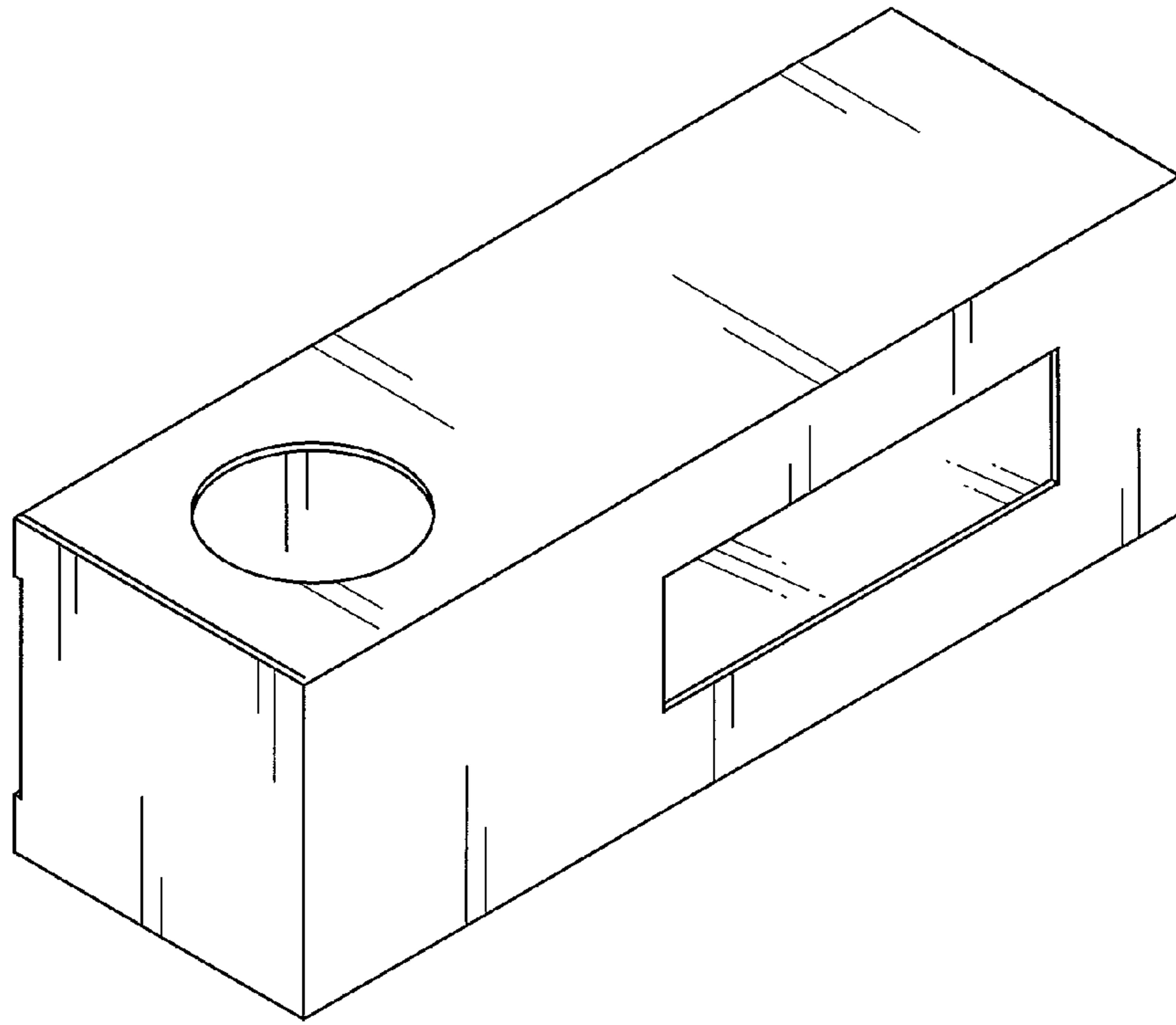


FIG. 1

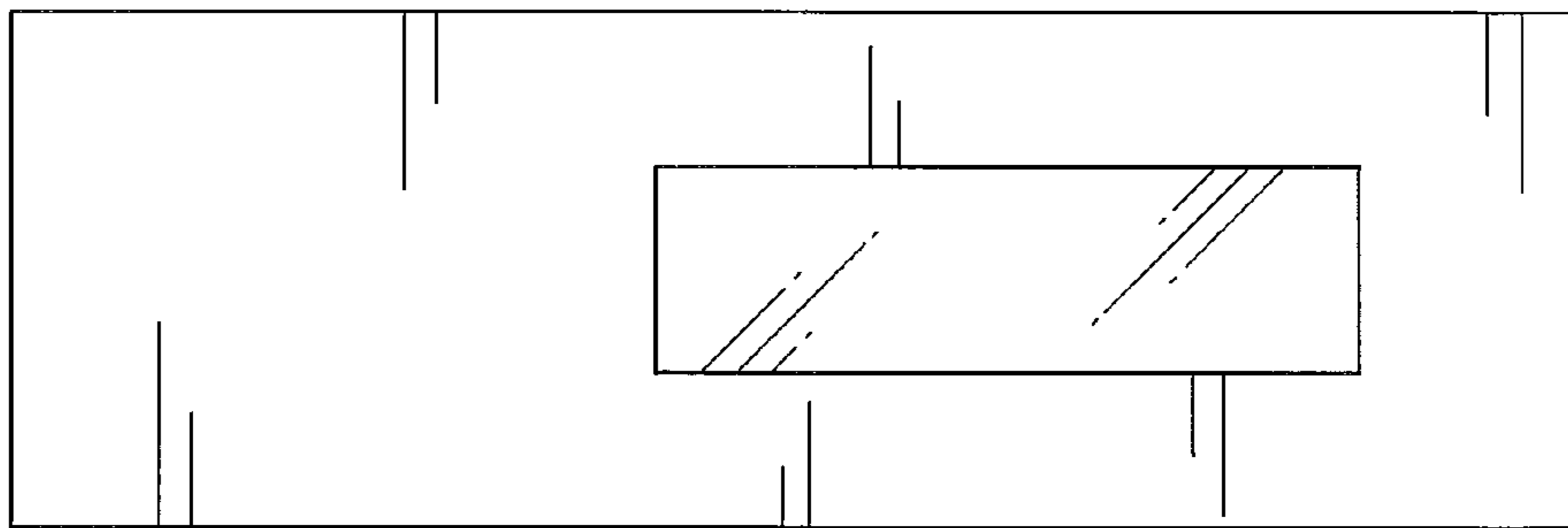


FIG. 2

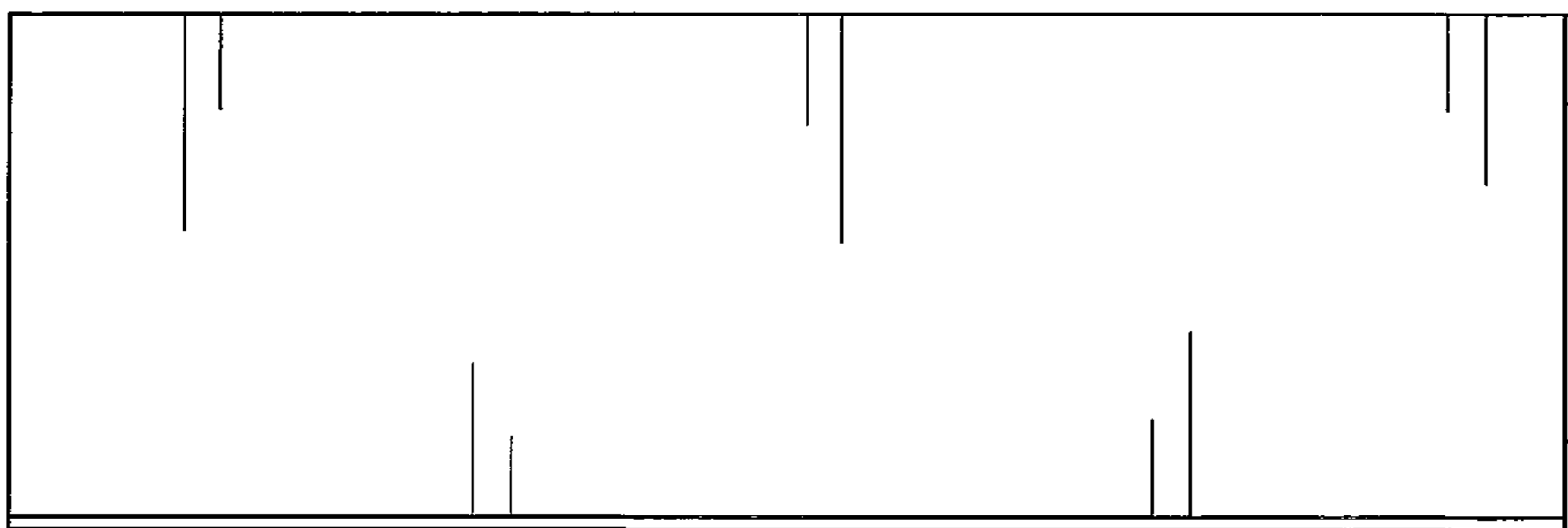


FIG. 3

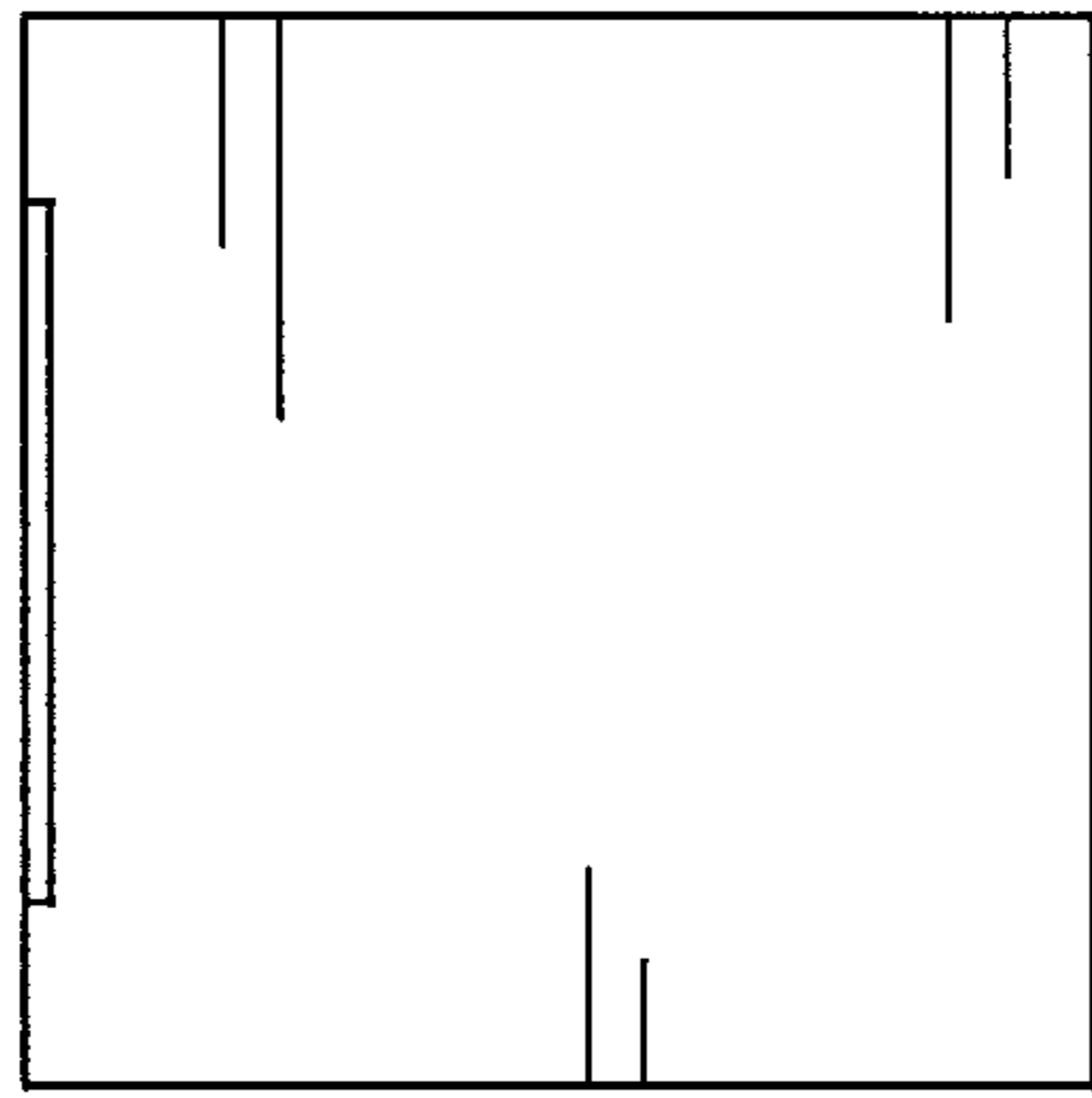


FIG. 4

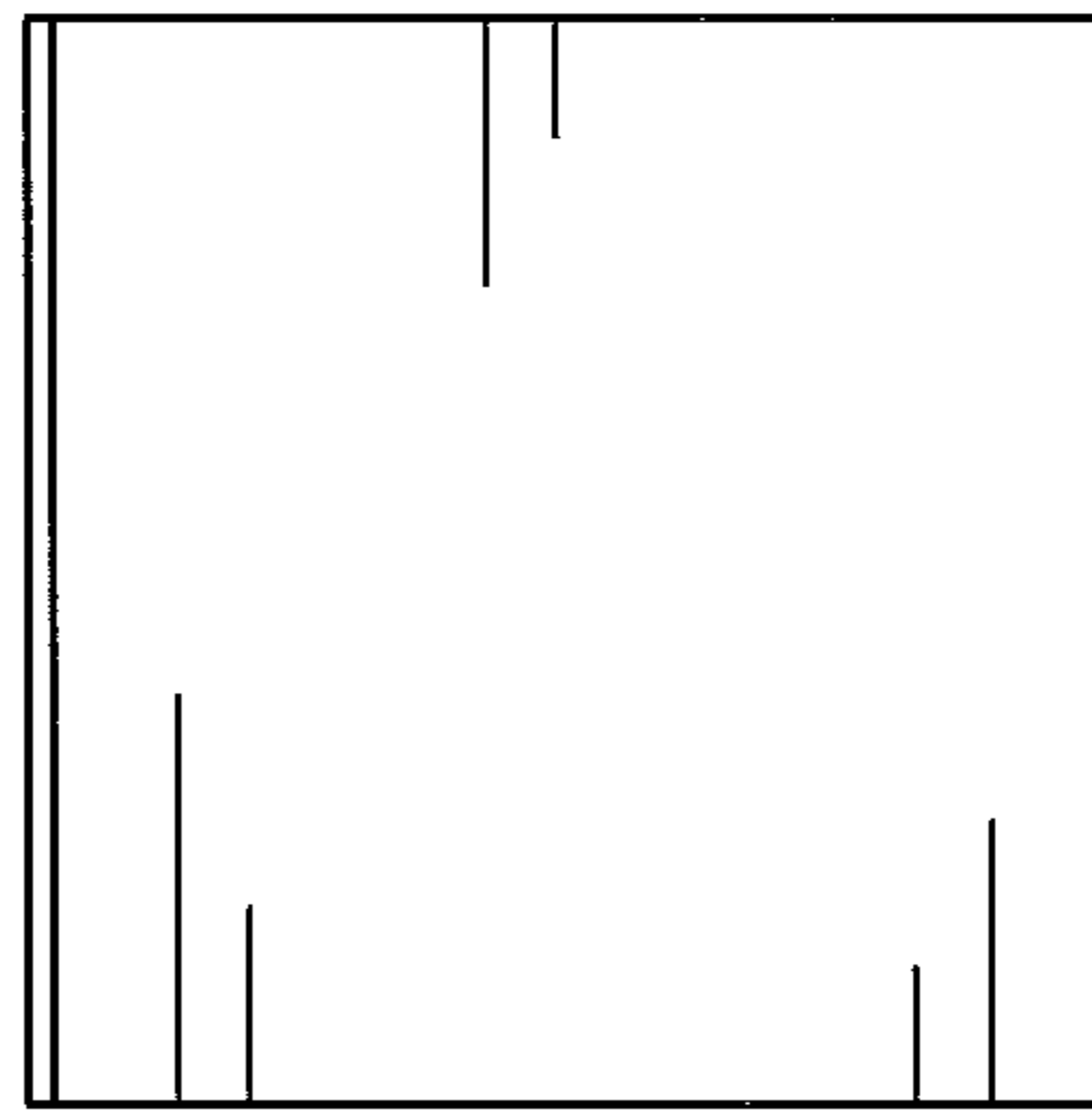


FIG. 5

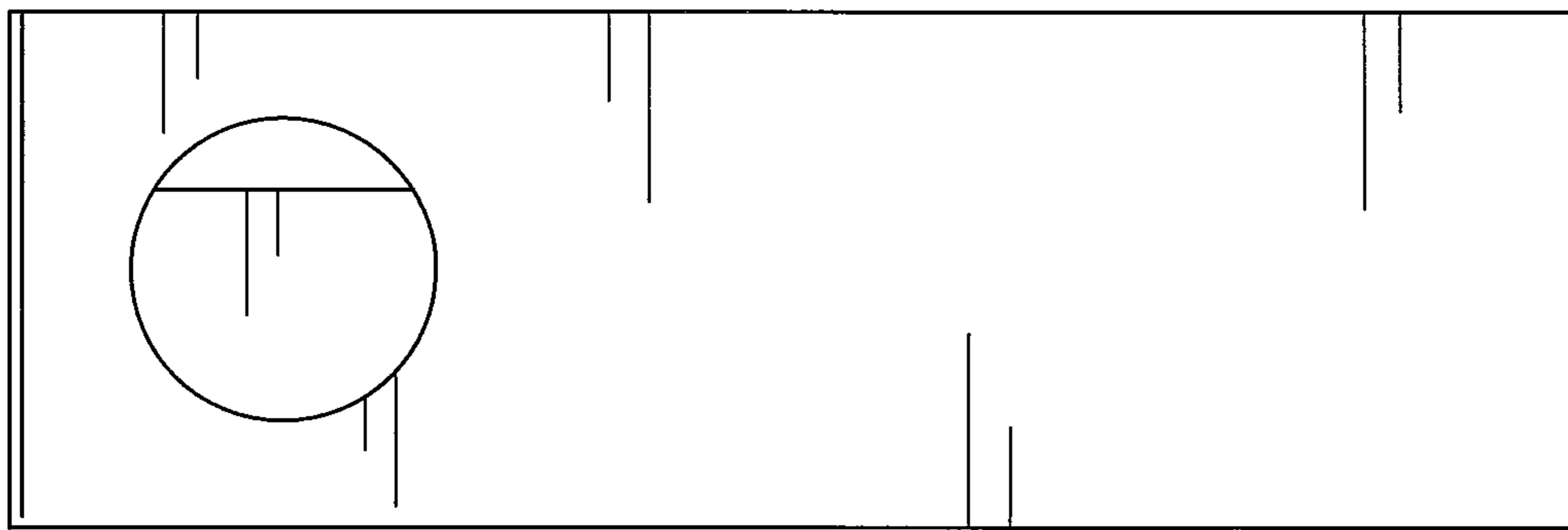


FIG. 6

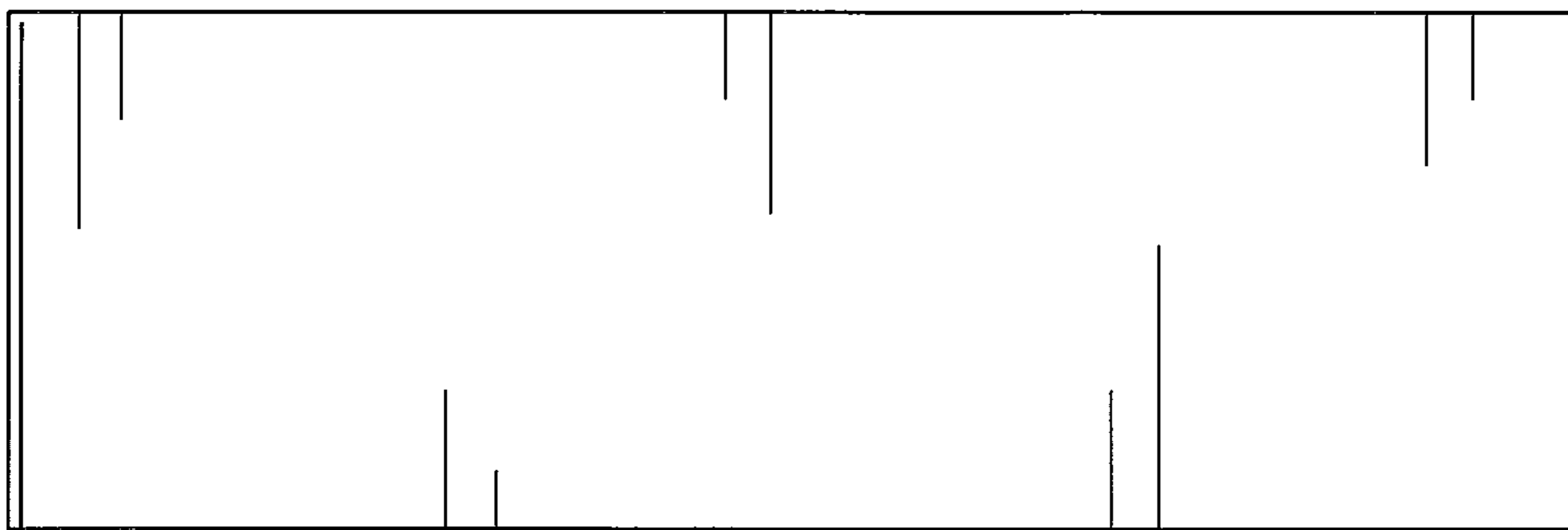


FIG. 7