



US00D604600S

(12) **United States Design Patent**
Lesesky

(10) **Patent No.:** **US D604,600 S**

(45) **Date of Patent:** **** Nov. 24, 2009**

(54) **HARDWARE BOLT**

(75) Inventor: **Alan C. Lesesky**, Charlotte, NC (US)

(73) Assignee: **Innovative Global Systems, LLC**, Rock Hill, SC (US)

(**) Term: **14 Years**

(21) Appl. No.: **29/313,032**

(22) Filed: **Dec. 2, 2008**

Related U.S. Application Data

(63) Continuation-in-part of application No. 29/301,003, filed on Feb. 6, 2008, now Pat. No. Des. 581,778.

(51) **LOC (9) Cl.** **08-08**

(52) **U.S. Cl.** **D8/387**

(58) **Field of Classification Search** 411/378,
411/393, 402, 403, 6, 435, 437, 510, 427,
411/337, 429, 400; D8/387

See application file for complete search history.

(56) **References Cited**

U.S. PATENT DOCUMENTS

2,322,811 A * 6/1943 Ball 411/378

D374,814 S * 10/1996 Saito D8/387

D418,048 S * 12/1999 Chan D8/387

D482,957 S * 12/2003 Lajeunesse et al. D8/387

D552,977 S * 10/2007 He et al. D8/387

D562,674 S * 2/2008 Shinjo D8/387

D584,137 S * 1/2009 Edge, Jr. D8/387

D585,731 S * 2/2009 Carrillo et al. D8/387

* cited by examiner

Primary Examiner—Sheryl Lane

(74) *Attorney, Agent, or Firm*—Schwartz Law Firm, P.C.

(57) **CLAIM**

I claim the ornamental design for a hardware bolt, as shown.

DESCRIPTION

FIG. 1 is a perspective view of the hardware bolt;

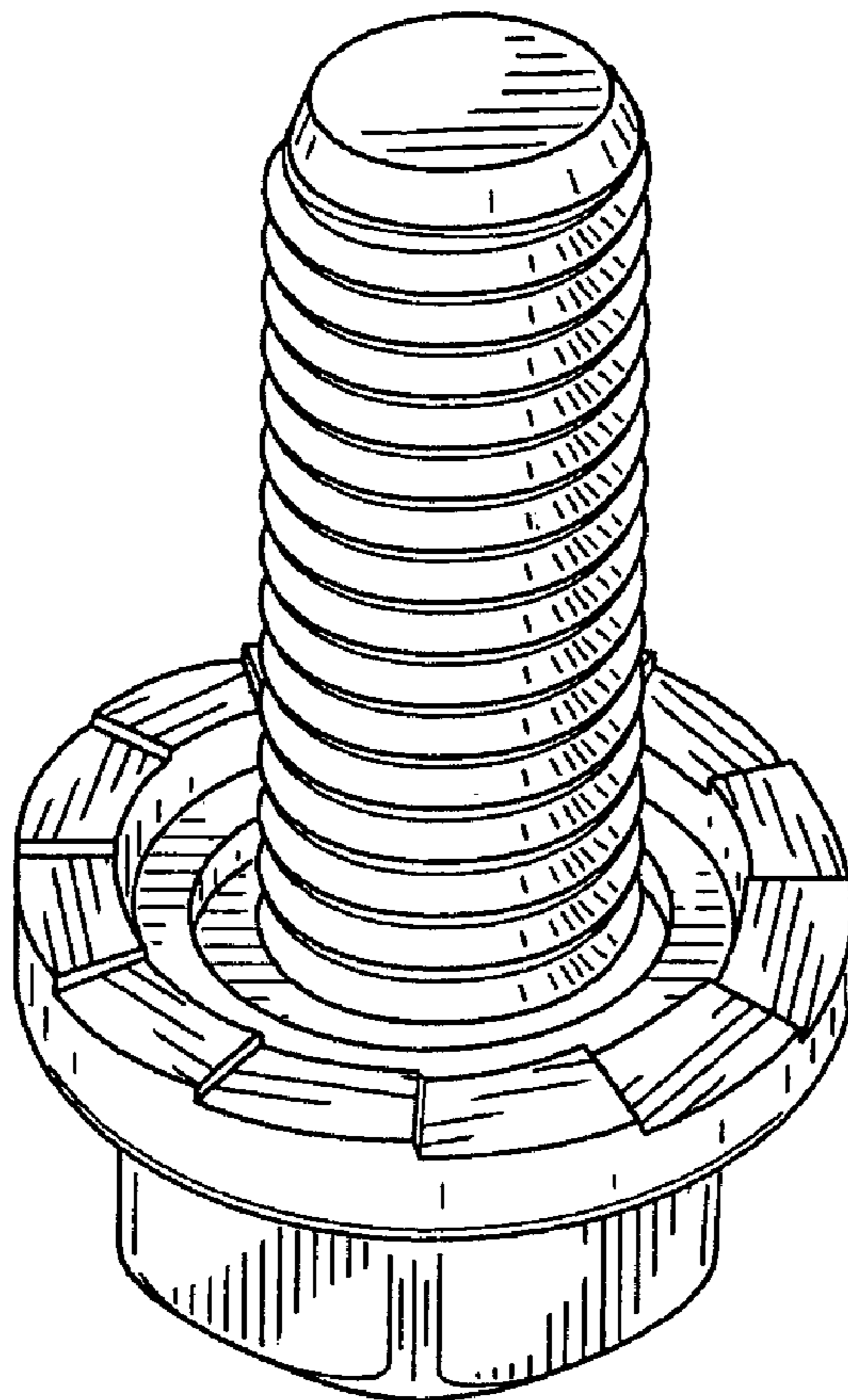
FIG. 2 is a top view thereof;

FIG. 3 is a bottom view thereof;

FIG. 4 is a first side view thereof; and,

FIG. 5 is a second side view thereof.

1 Claim, 3 Drawing Sheets



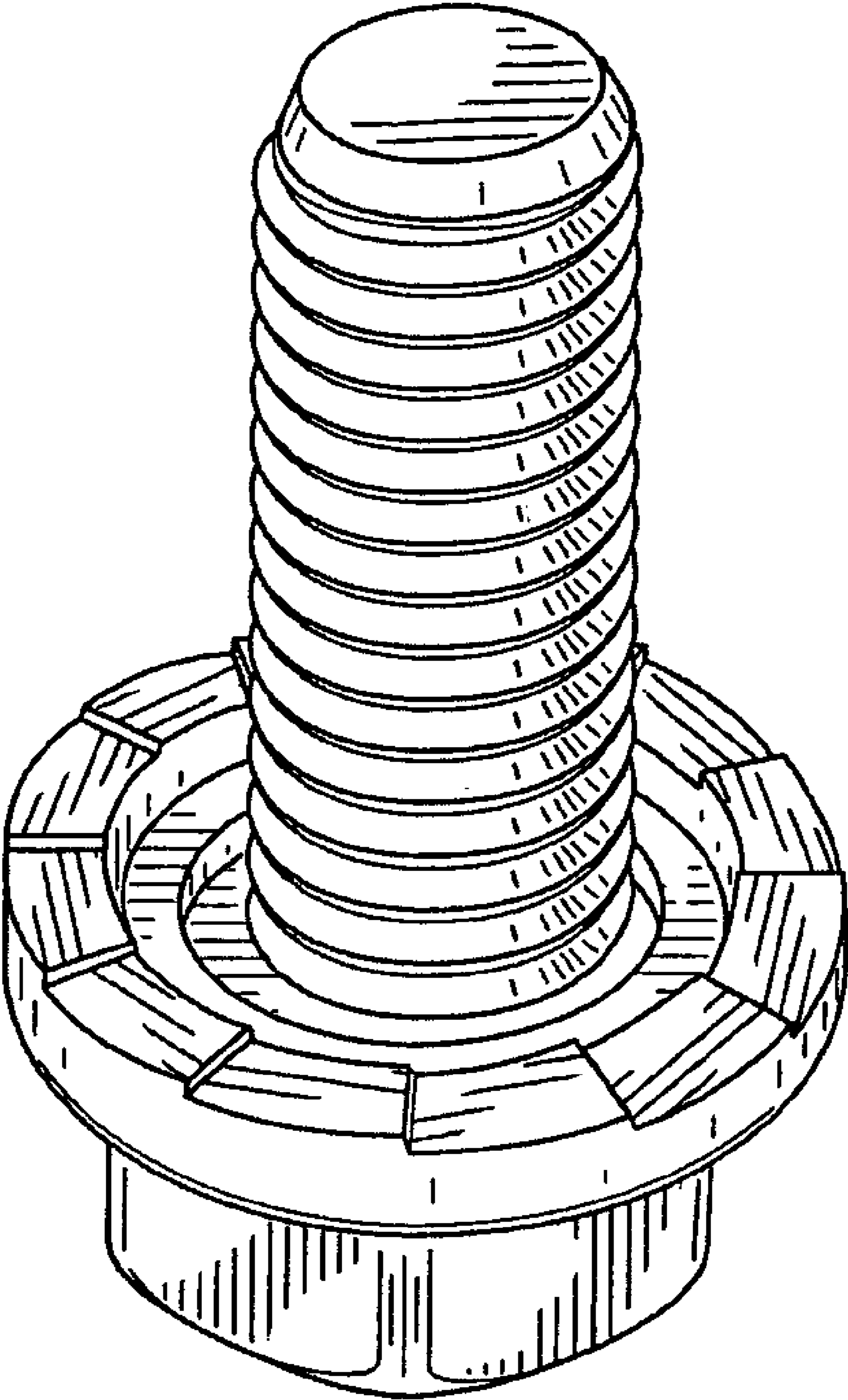


Fig. 1

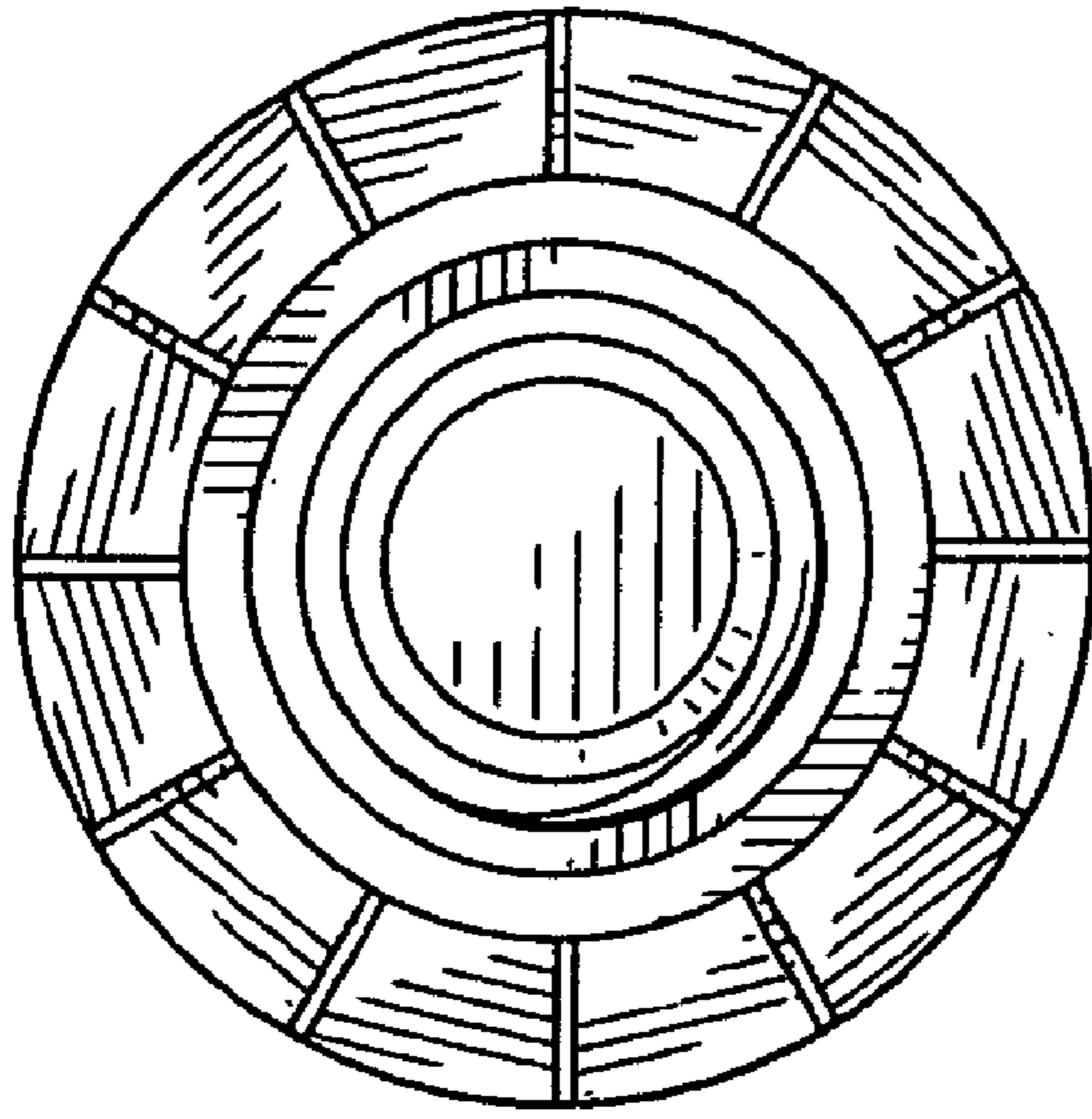


Fig. 3

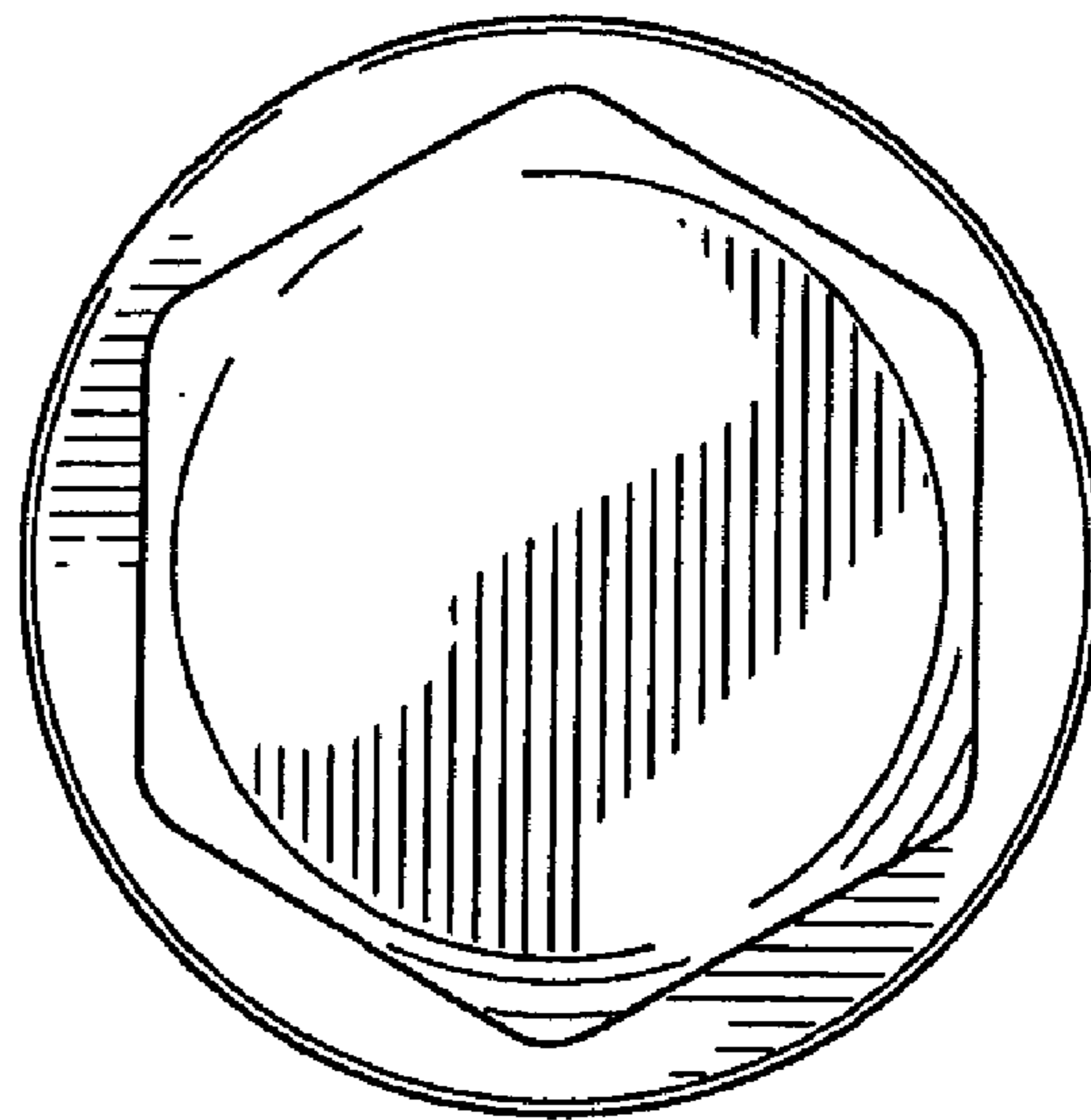


Fig. 2

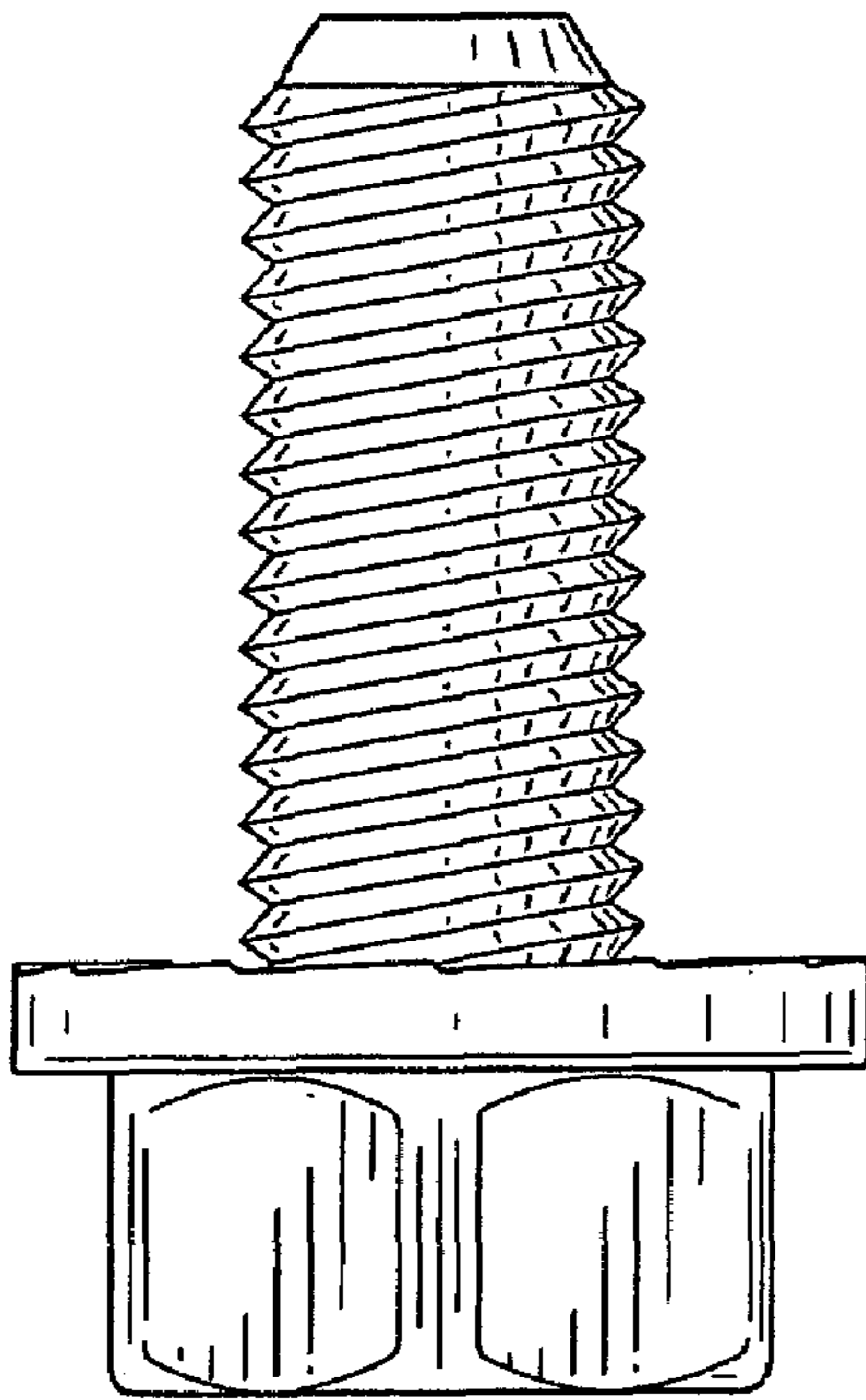


Fig. 4

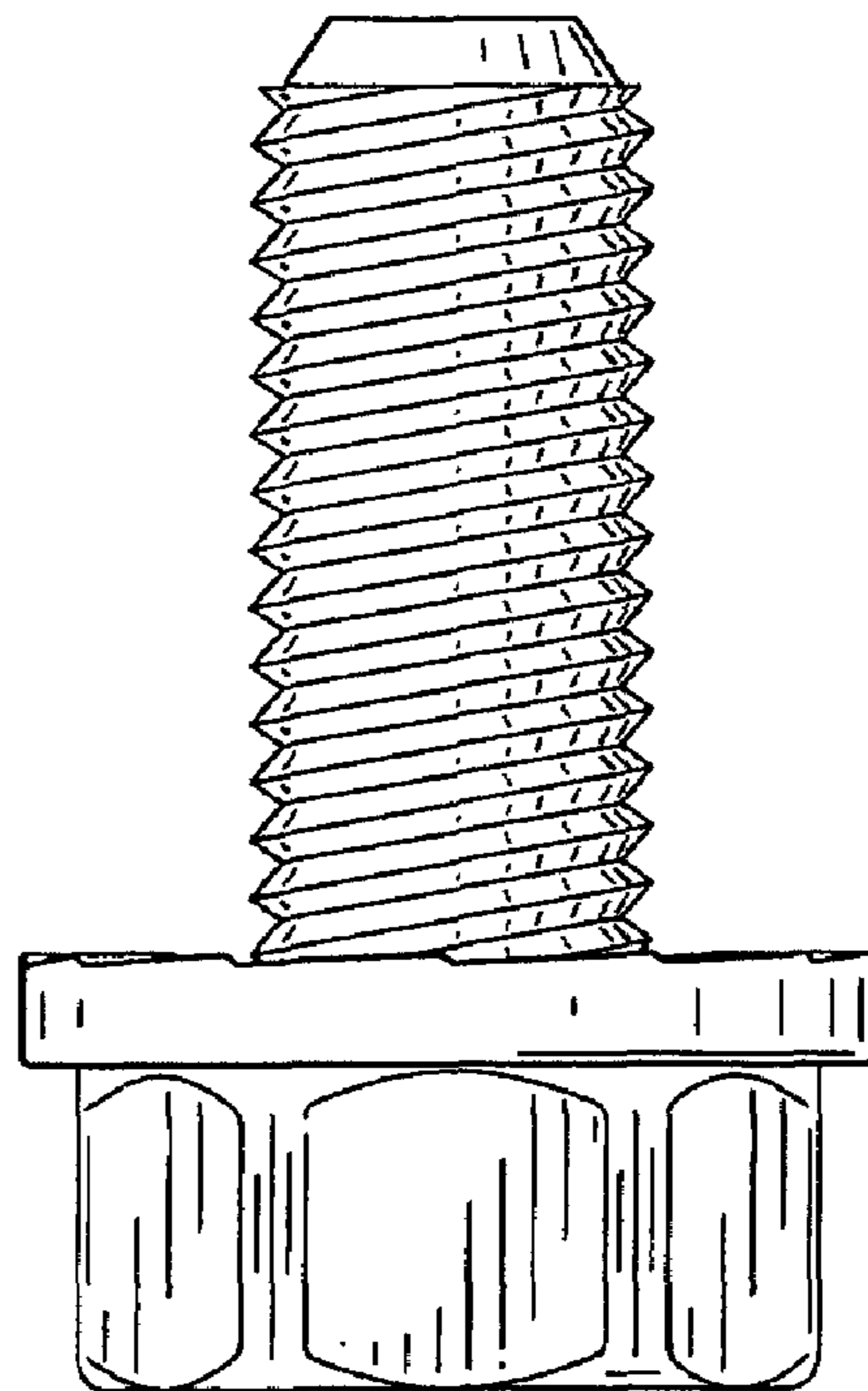


Fig. 5