



US00D604593S

(12) **United States Design Patent**
Seehoff et al.

(10) **Patent No.:** **US D604,593 S**

(45) **Date of Patent:** **** Nov. 24, 2009**

(54) **RING HOLDER**

(75) Inventors: **Gary Stanley Seehoff**, Encino, CA
(US); **Christopher Anzalone**, Foothill
Ranch, CA (US)

(73) Assignee: **Evrholder Products LLC**, Anaheim,
CA (US)

(**) Term: **14 Years**

(21) Appl. No.: **29/330,239**

(22) Filed: **Dec. 31, 2008**

(51) **LOC (9) Cl.** **08-05**

(52) **U.S. Cl.** **D8/367**

(58) **Field of Classification Search** D6/323;
D8/363, 367, 371, 373; 248/301–304, 339
See application file for complete search history.

(56) **References Cited**

U.S. PATENT DOCUMENTS

D42,105 S *	1/1912	Ducsay	D8/367
D204,875 S *	5/1966	Mohr	D6/323
D250,994 S *	2/1979	Chasen	D8/367
D253,276 S *	10/1979	Levine	D8/367
D266,124 S *	9/1982	Stankewich	D8/367
D299,240 S *	1/1989	Henningsen	D15/28
D307,705 S *	5/1990	Mair	D8/367
D373,526 S *	9/1996	Roethler	D8/367
D384,270 S *	9/1997	Chang	D8/367
D394,799 S *	6/1998	Underhill	D8/367

D407,567 S *	4/1999	Barnett et al.	D6/328
D417,341 S *	12/1999	Hampshire	D6/323
D471,790 S *	3/2003	Henderson	D8/367
D554,484 S *	11/2007	Dahlin	D8/367
D557,576 S *	12/2007	Crombie	D8/38
D565,939 S *	4/2008	Newbould et al.	D8/367
D578,312 S *	10/2008	Belokin	D6/315
2003/0201369 A1 *	10/2003	Dretzka	248/206.2

* cited by examiner

Primary Examiner—Sandra Snapp

Assistant Examiner—Patricia Palasik

(57) **CLAIM**

The ornamental design for a ring holder, as shown and described.

DESCRIPTION

FIG. 1 illustrates a top view of the claimed design for a ring holder;

FIG. 2 illustrates a front view thereof;

FIG. 3 illustrates a left-side view thereof;

FIG. 4 illustrates a right-side view thereof;

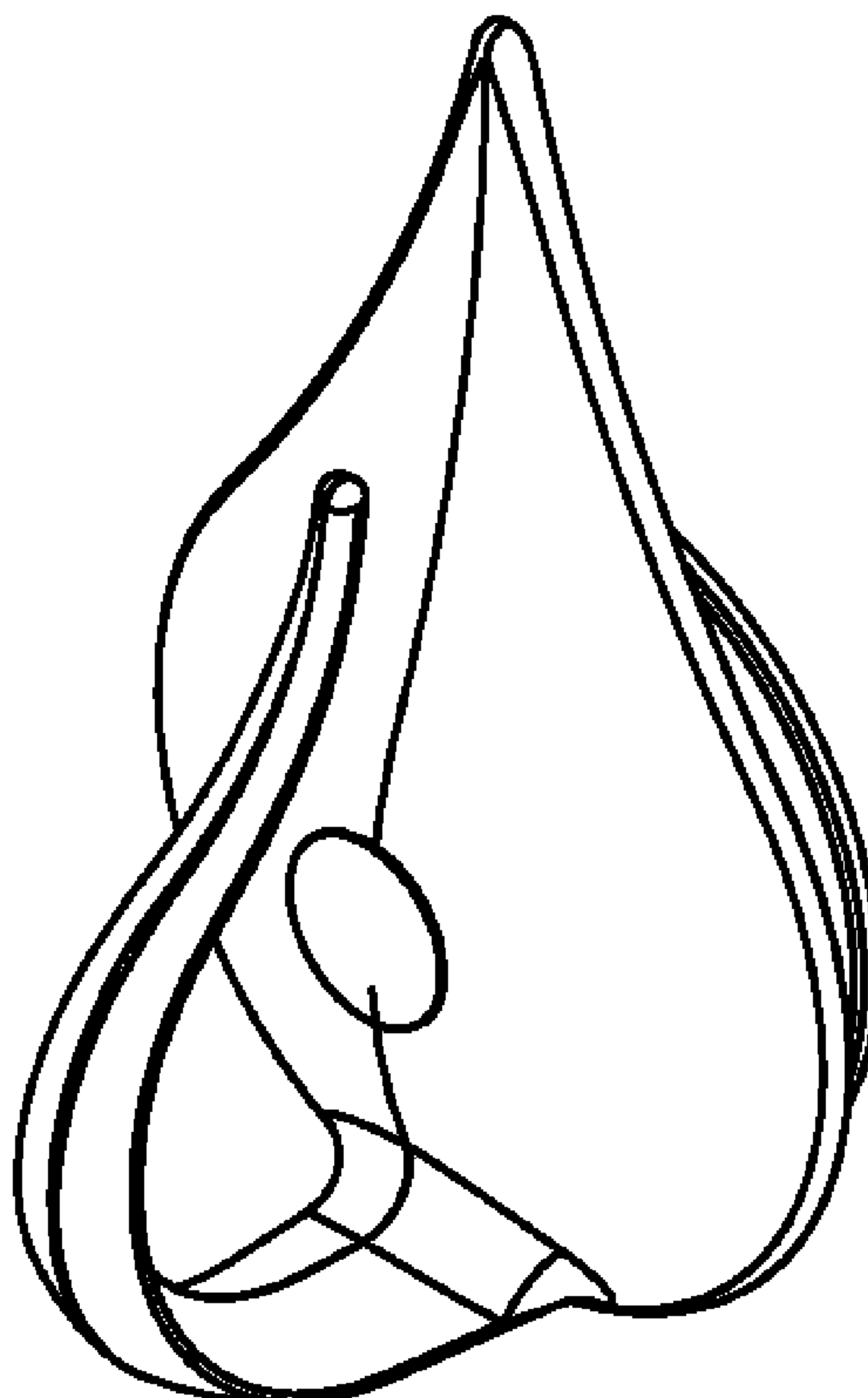
FIG. 5 illustrates a rear view thereof;

FIG. 6 illustrates a bottom view thereof;

FIG. 7 is a cross-sectional view taken along line 7—7 of FIG. 1; and,

FIG. 8 illustrates a perspective view thereof.

1 Claim, 8 Drawing Sheets



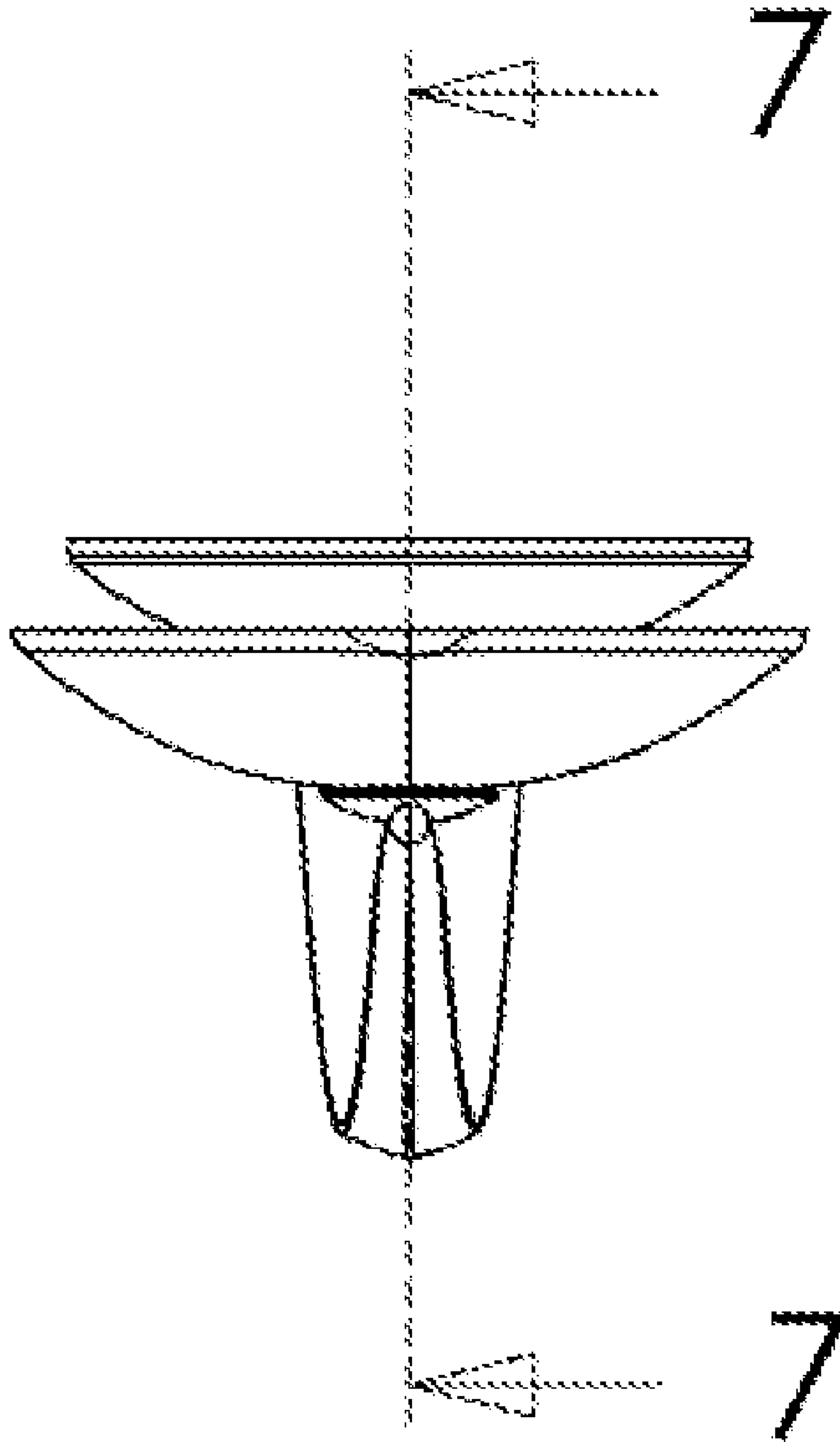


Fig 1

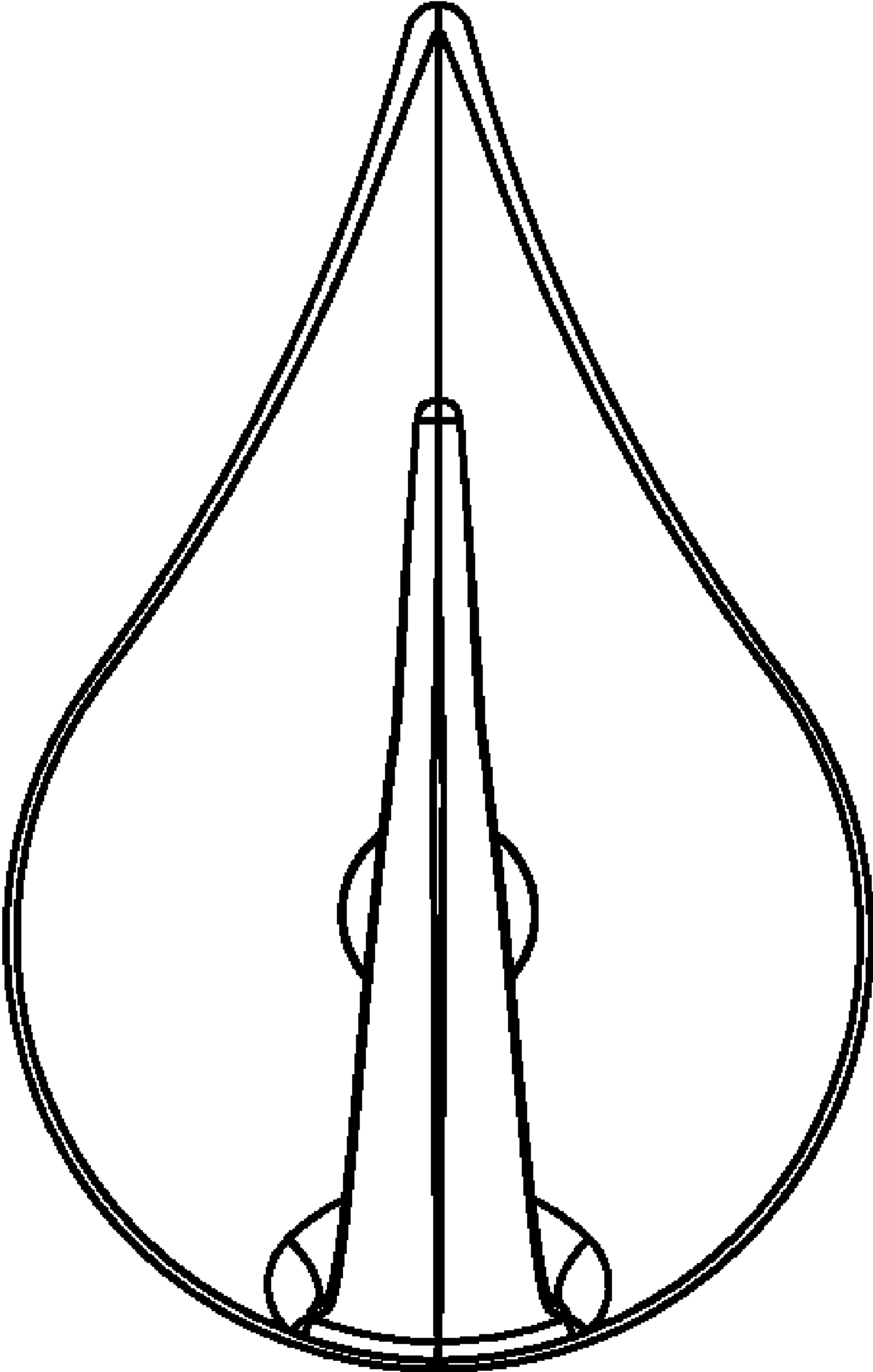


Fig 2

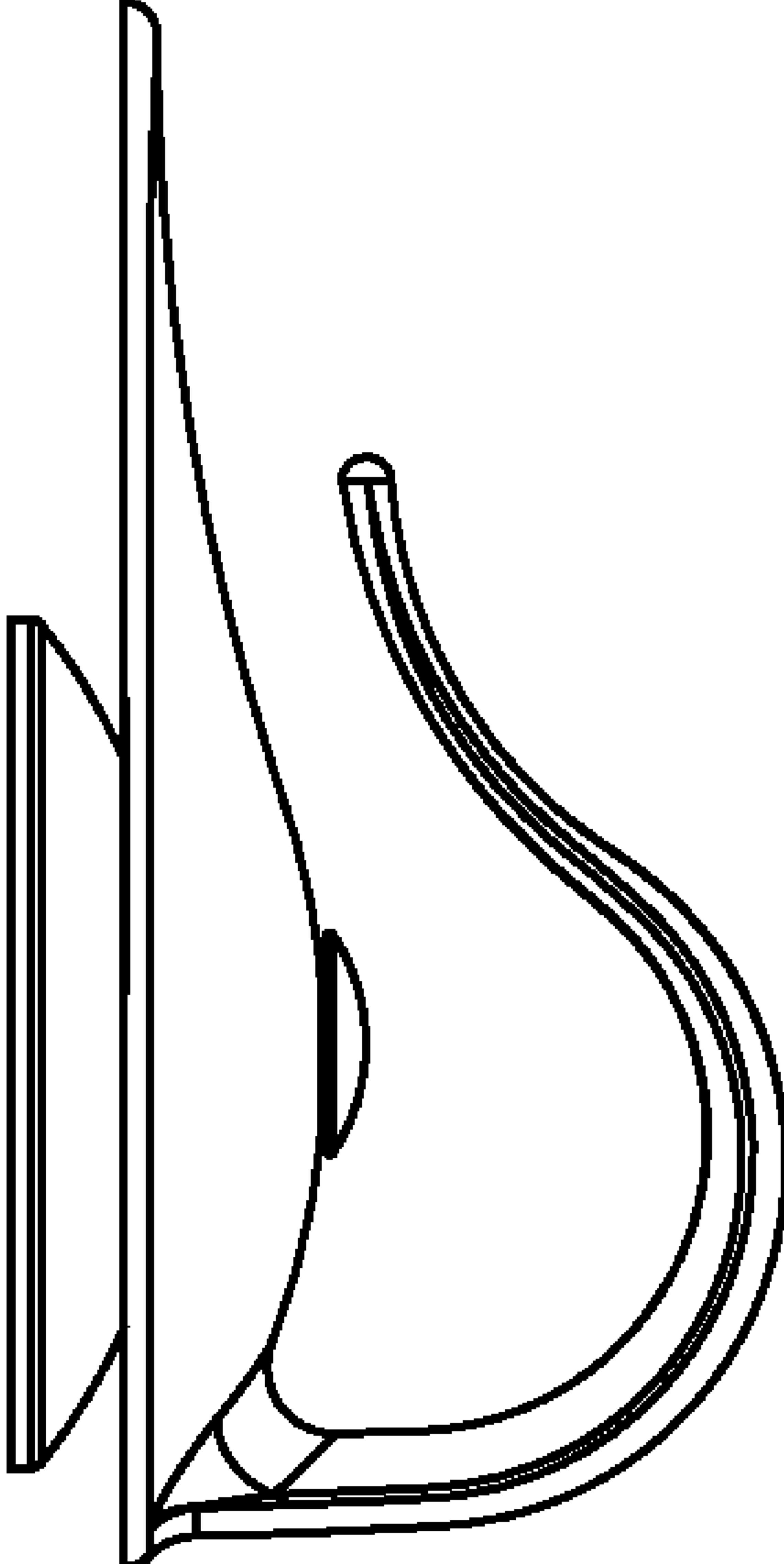


Fig 3

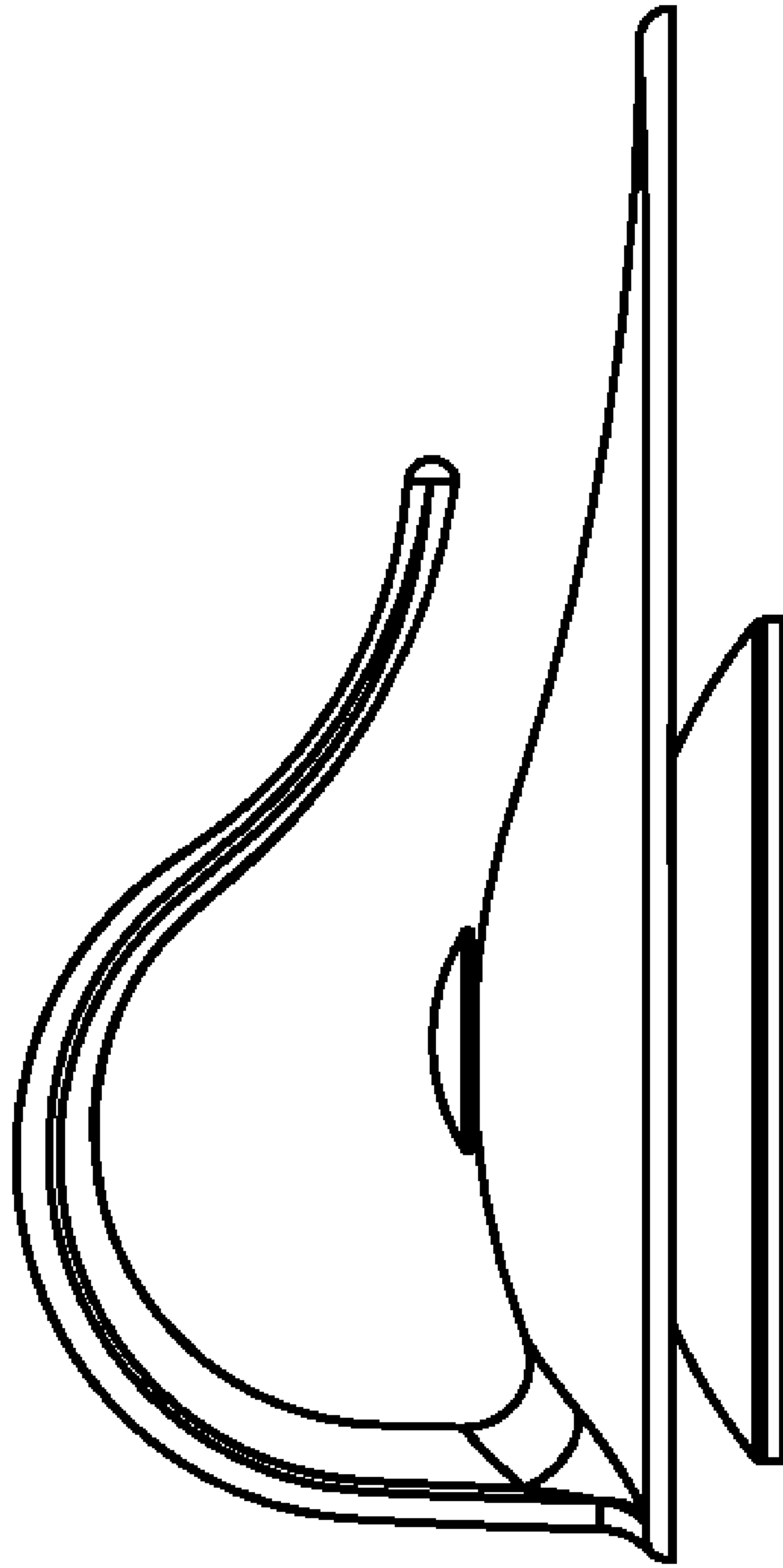


Fig 4

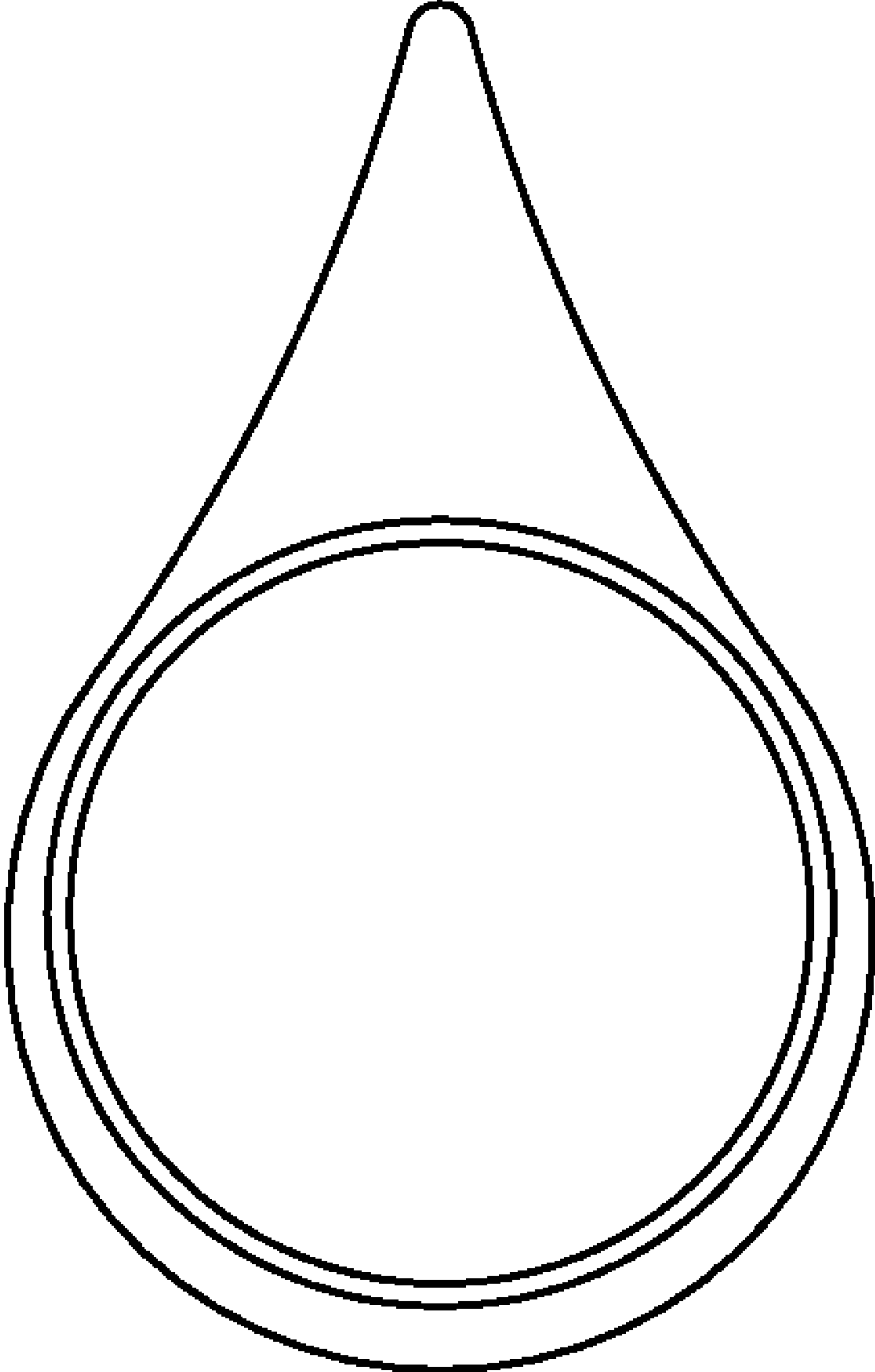


Fig 5

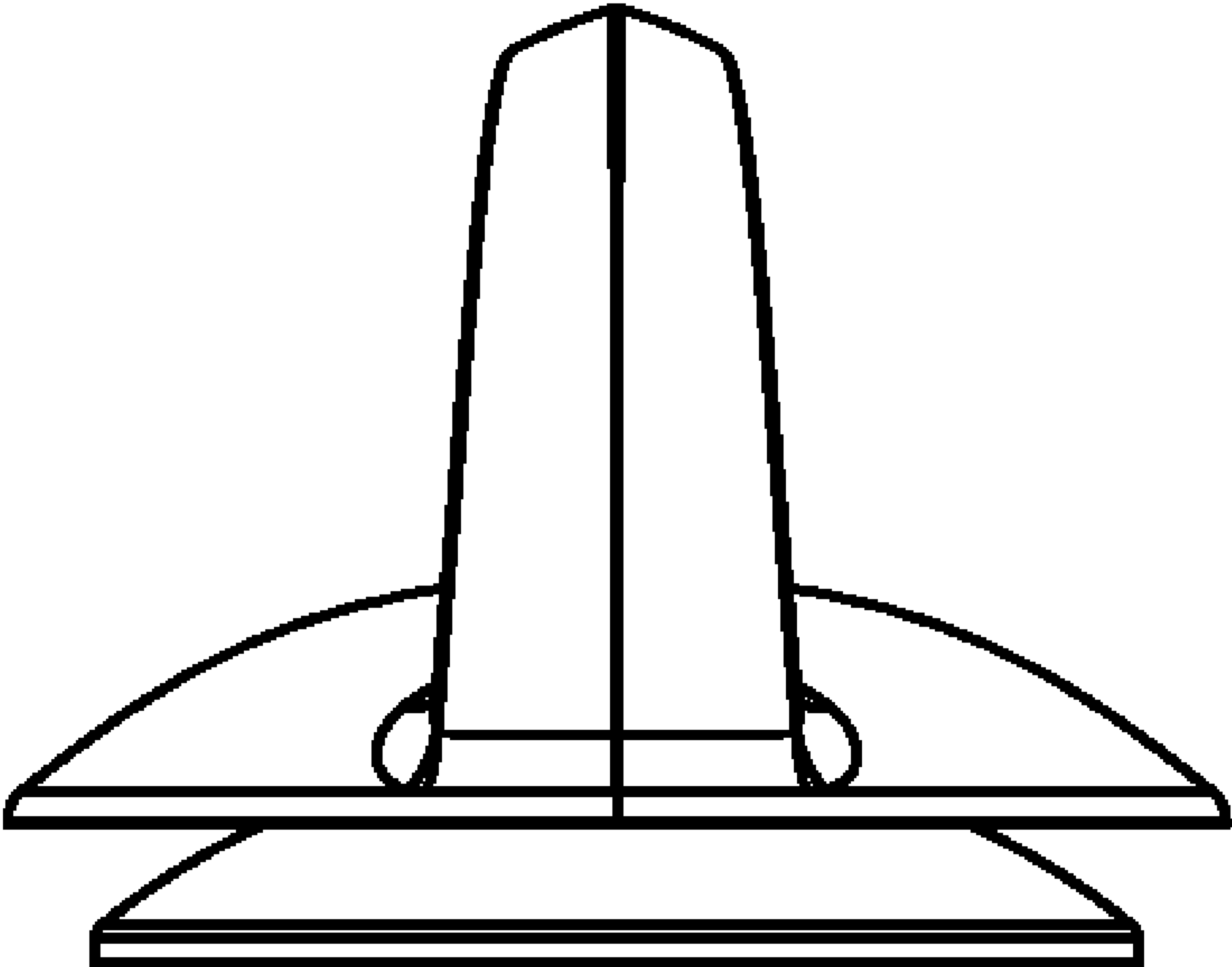


Fig 6

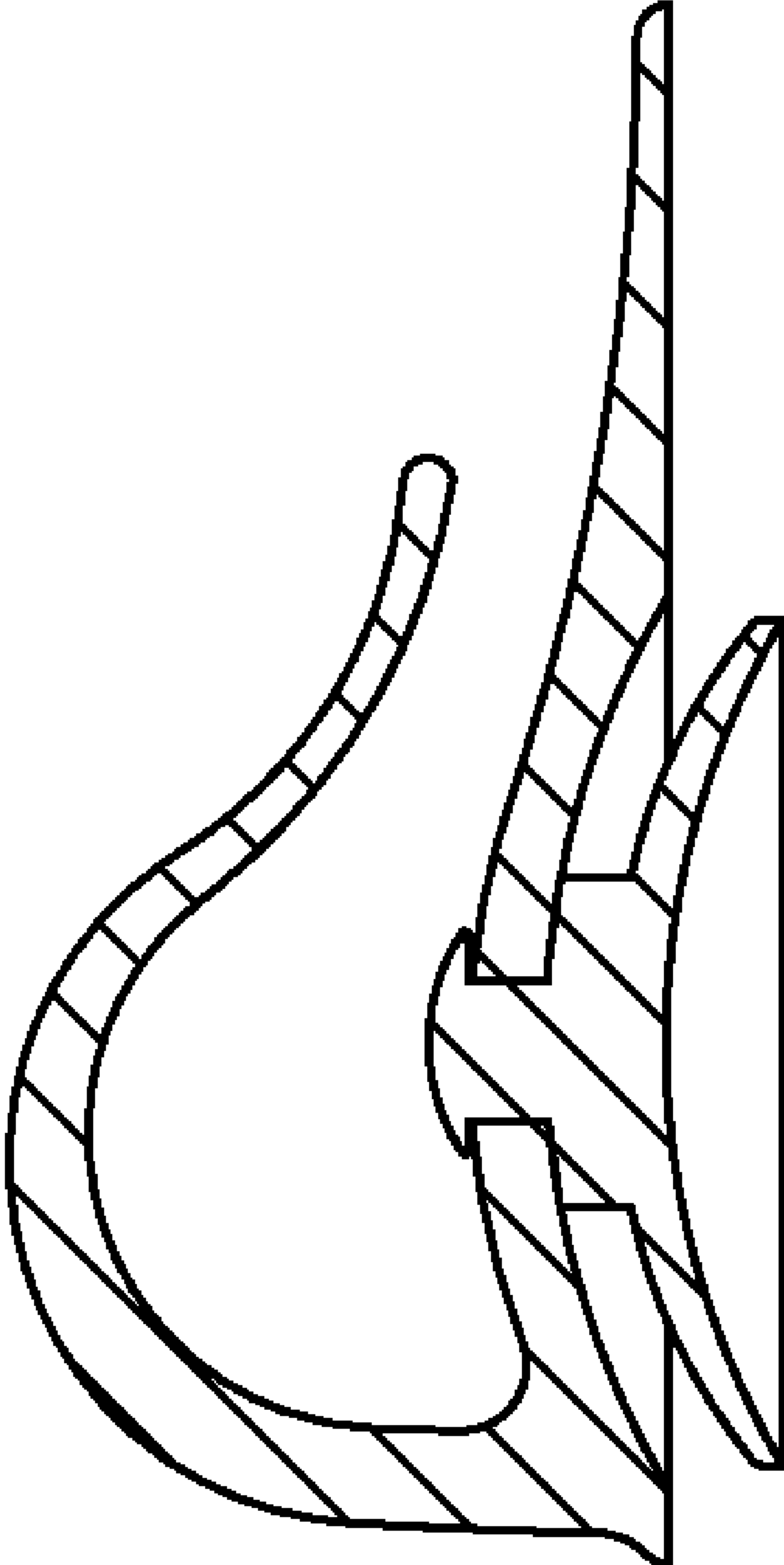


FIG 7

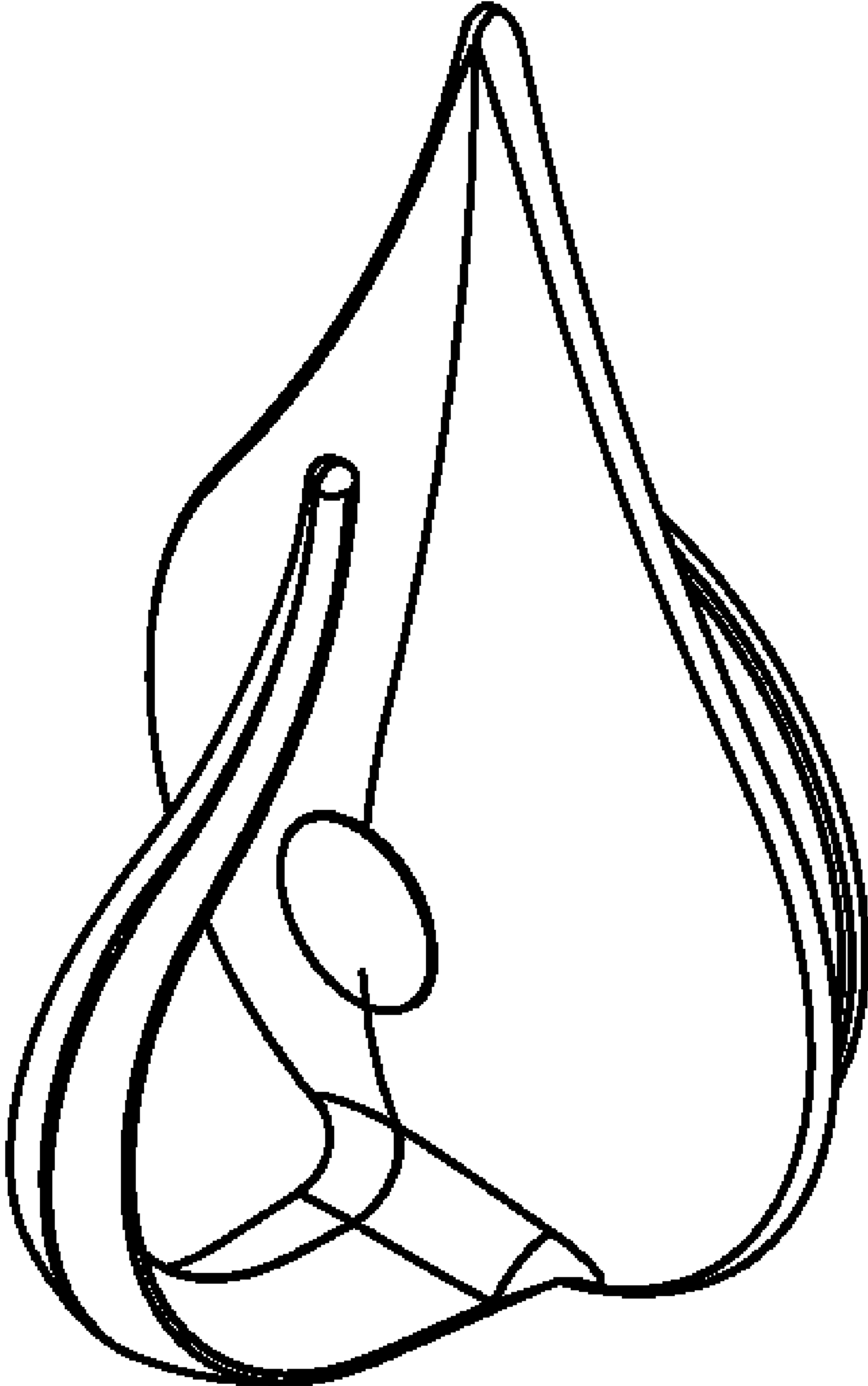


Fig 8