



US00D604590S

(12) **United States Design Patent**
Goetz

(10) **Patent No.:** **US D604,590 S**
(45) **Date of Patent:** **** Nov. 24, 2009**

(54) **HOSE HANGER**

NZ 403510 * 9/2003

(75) Inventor: **Michael H. Goetz**, Berlin, PA (US)

Primary Examiner—Robert M Spear

Assistant Examiner—Karen Acker

(73) Assignee: **Robert Bosch GmbH**, Stuttgart (DE)

(74) *Attorney, Agent, or Firm*—Maginot, Moore & Beck

(**) Term: **14 Years**

(57) **CLAIM**

(21) Appl. No.: **29/330,134**

The ornamental design for a hose hanger, as shown and described.

(22) Filed: **Dec. 30, 2008**

DESCRIPTION

(51) **LOC (9) Cl.** **08-05**

(52) **U.S. Cl.** **D8/356**

(58) **Field of Classification Search** D8/105,
D8/107, 333, 349, 354, 356, 358, 360, 360.1,
D8/367, 373, 382, 383, 394–396, 400; D13/153,
D13/154; 24/18, 115 R, 197, 561, 573.11,
24/581.12, 582.13, 583.1; 52/220.7; 174/66,
174/135, 153 G, 650, 656; 242/400.1, 405.1,
242/405.2, 600, 603; 248/65, 74.1–74.4,
248/201, 214, 215, 229.26, 89; 439/92–108,
439/501, 535; 294/26, 82.19, 82.2; D12/207;
301/37.101, 35.632

Cross reference is made to copending U.S. patent application Ser. No. 12/345,935, entitled “Hose Hanger Assembly having Car Wheel Rim Configuration with Removable Cover Structure” by Michael H. Goetz, which is assigned to the same assignee as the present invention, and which is filed on the same date herewith, and the disclosure of such patent application is herein incorporated by reference in its entirety.

FIG. 1 is a perspective view of a hose hanger showing my new design;

FIG. 2 is a front elevational view showing the design for the hose hanger of FIG. 1;

FIG. 3 is a left side elevational view showing the design for the hose hanger of FIG. 1;

FIG. 4 is a top plan view showing the design for the hose hanger of FIG. 1;

FIG. 5 is a right side elevational view showing the design for the hose hanger of FIG. 1;

FIG. 6 is a bottom plan view showing the design for the hose hanger of FIG. 1; and,

FIG. 7 is a rear elevational view showing the design for the hose hanger of FIG. 1.

The broken lines in the drawings represent portions of the hose hanger that are not part of the claim. The broken lines and the structures and features they depict form no part of the claimed design.

See application file for complete search history.

(56) **References Cited**

U.S. PATENT DOCUMENTS

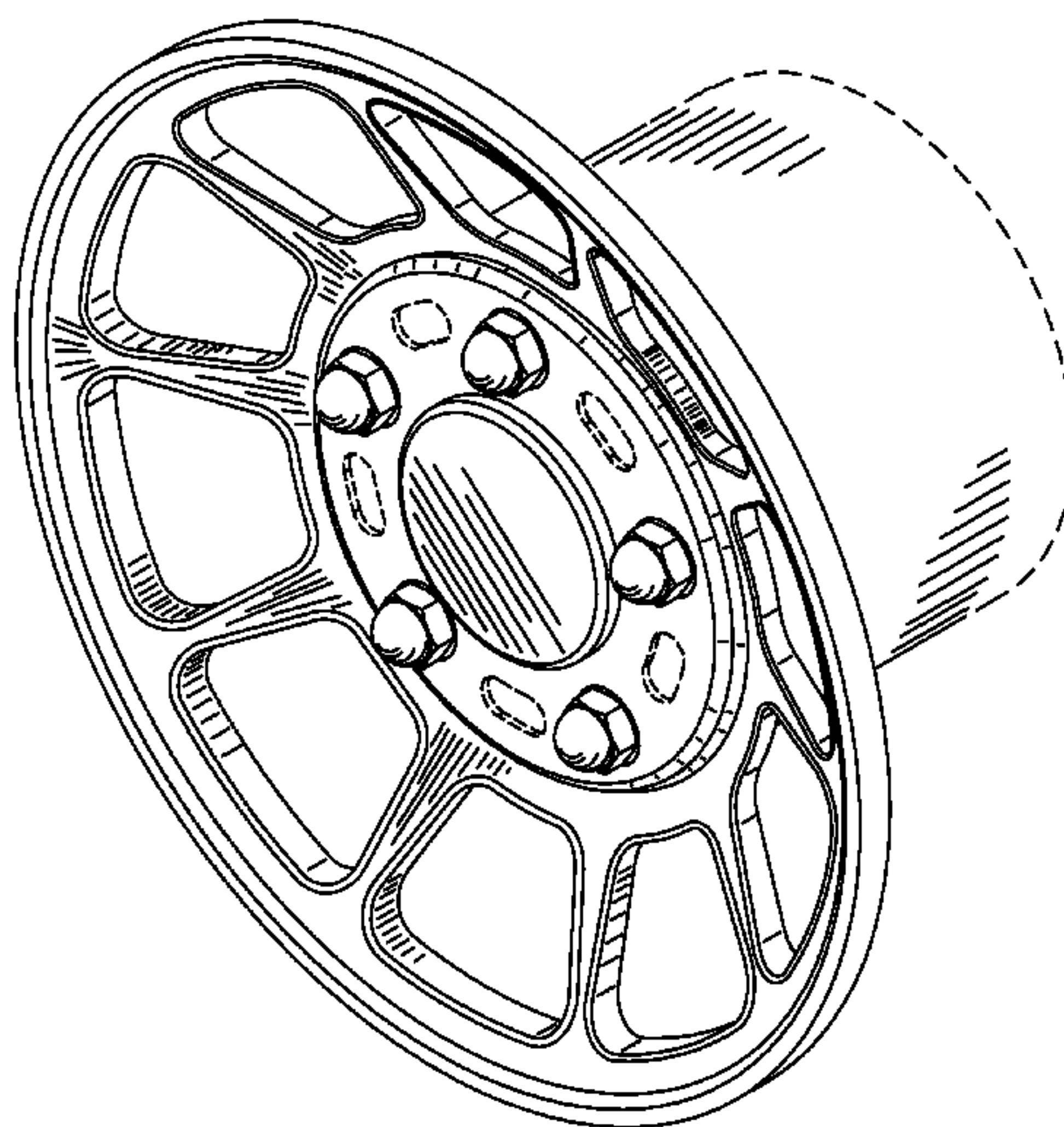
- D22,469 S * 5/1893 Field D12/207
- D35,452 S * 12/1901 Cliff D8/356
- D37,306 S 1/1905 Gibbs
- 955,260 A 4/1910 Getman
- 1,053,848 A * 2/1913 Milcinsky 70/459
- 1,284,022 A 11/1918 Wright
- 1,368,991 A * 2/1921 Sims 242/614.1
- D59,352 S * 10/1921 House, Jr. D12/207
- 2,475,036 A * 7/1949 Lopez-Henriquez 242/600
- 2,475,037 A * 7/1949 Lopez-Henriquez 242/600

(Continued)

FOREIGN PATENT DOCUMENTS

GB 2080442 * 12/1998

1 Claim, 7 Drawing Sheets



US D604,590 S

Page 2

U.S. PATENT DOCUMENTS

D218,230 S *	8/1970	Shimano et al.	D12/207	D408,720 S *	4/1999	Sheng	D8/359
3,570,075 A *	3/1971	Louderback	24/457	5,934,606 A *	8/1999	Guild	242/608.4
3,976,260 A	8/1976	Irik		D437,770 S *	2/2001	Garske et al.	D8/349
D248,748 S *	8/1978	Siroonian	D12/207	6,186,433 B1 *	2/2001	Kovacik et al.	242/395
D271,077 S *	10/1983	Houghton	D8/358	6,488,240 B1	12/2002	Brooker et al.	
4,506,698 A *	3/1985	Garcia et al.	137/355.26	6,517,165 B1 *	2/2003	Handa	301/35.632
D295,951 S *	5/1988	Osada	D8/382	D474,396 S	5/2003	Tisbo et al.	
5,014,925 A *	5/1991	Cump	242/405.3	6,779,749 B2 *	8/2004	Laporta	242/395
5,046,678 A *	9/1991	Beer et al.	242/600	6,878,883 B1 *	4/2005	Rauckman	174/135
D322,746 S	12/1991	Sassano		6,897,380 B2 *	5/2005	Sakata et al.	174/650
5,238,105 A *	8/1993	Smiley	206/223	6,991,299 B2 *	1/2006	Hauler	301/37.43
D341,770 S	11/1993	Spear et al.		D535,870 S *	1/2007	Yoshiguchi	D8/383
D375,879 S *	11/1996	Nielsen	D8/1	7,204,562 B2 *	4/2007	Gerard	301/37.43
5,699,987 A	12/1997	Romaneschi et al.		2002/0074462 A1	6/2002	Pontecorvo	
D390,449 S	2/1998	Whitehead et al.		2008/0067860 A1 *	3/2008	Van Houten	301/35.632
D408,270 S	4/1999	Tisbo et al.		2008/0296965 A1 *	12/2008	Hofmann et al.	301/106

* cited by examiner

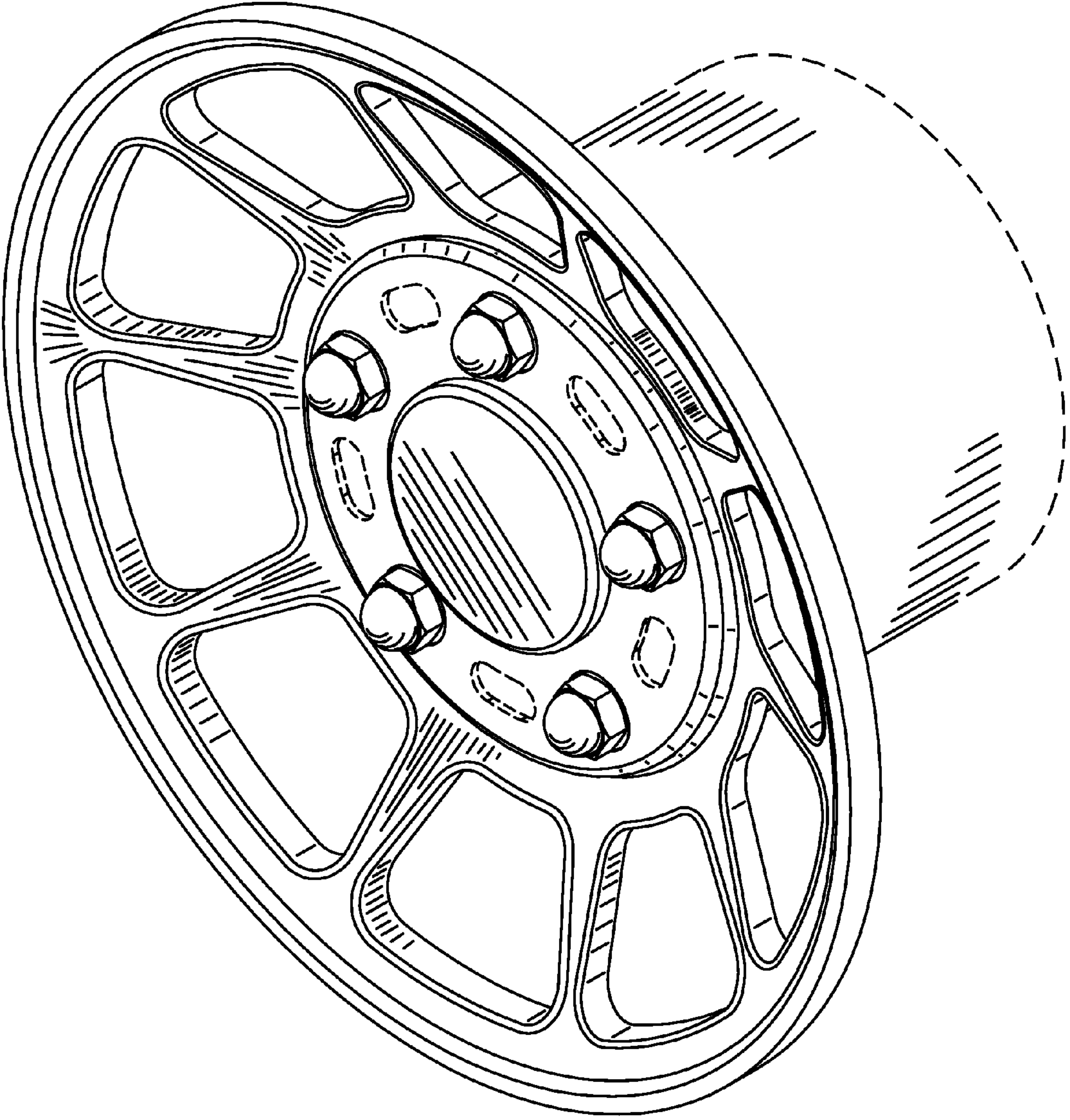


Fig. 1

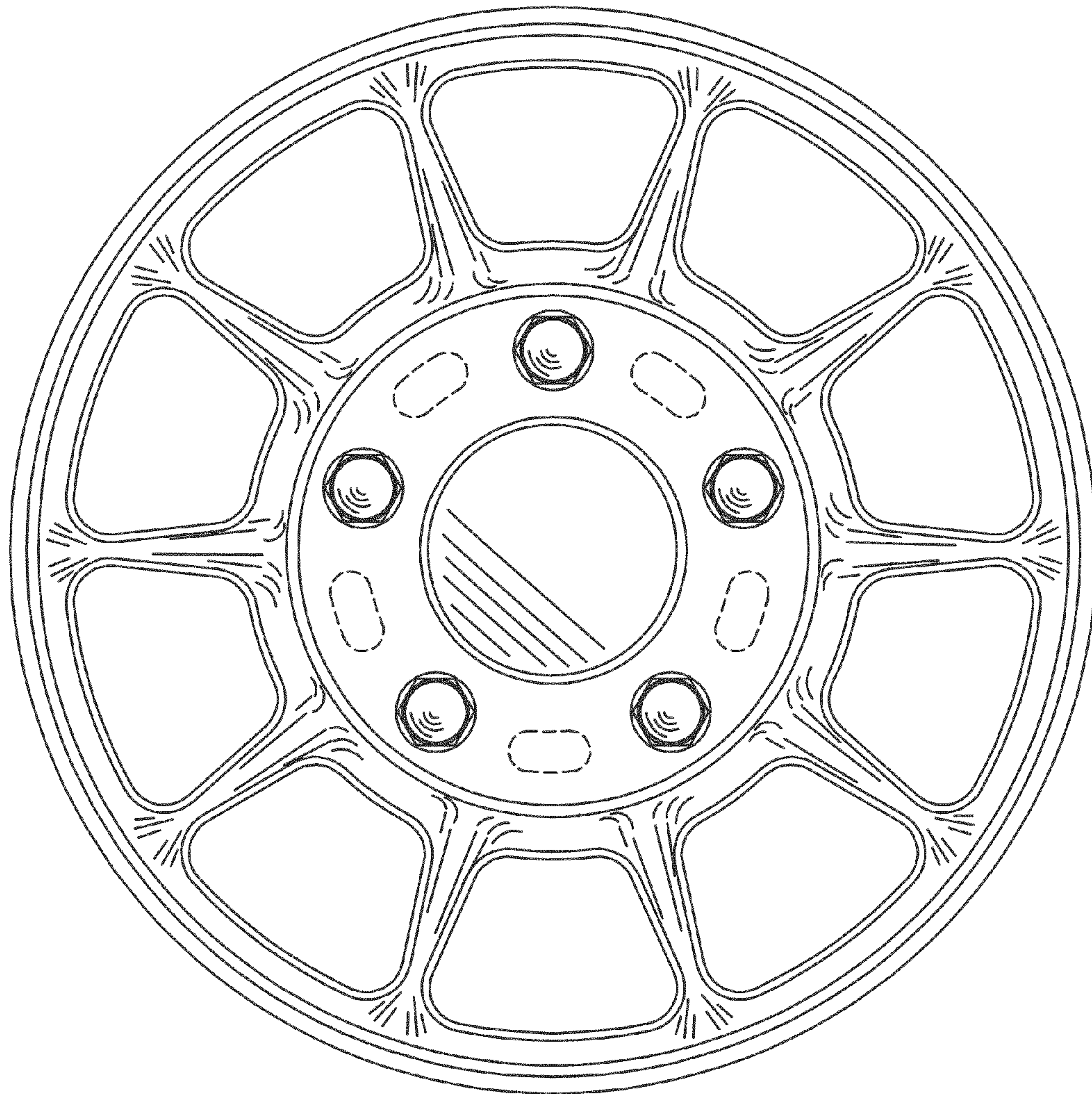


Fig. 2

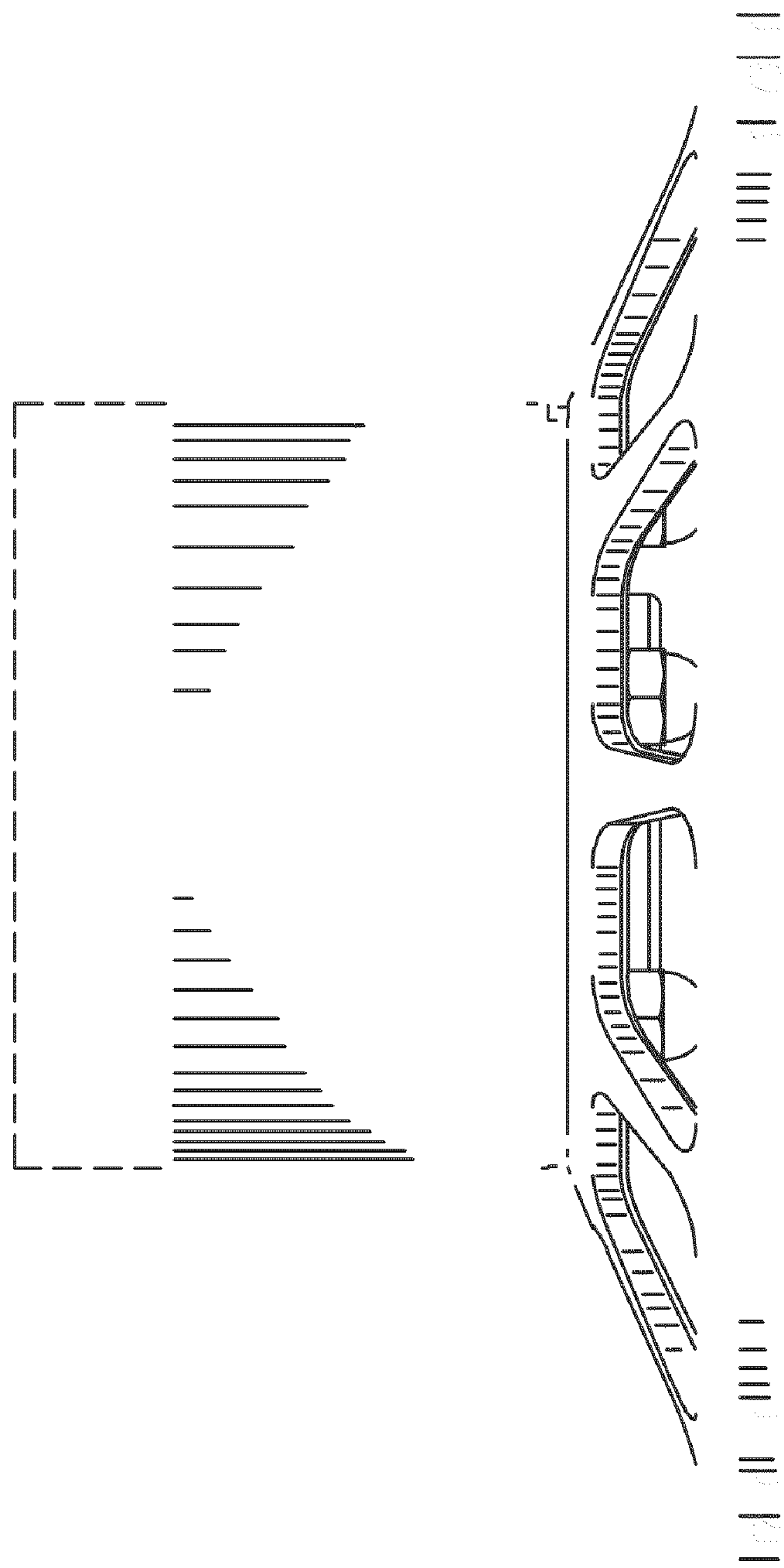


Fig. 3

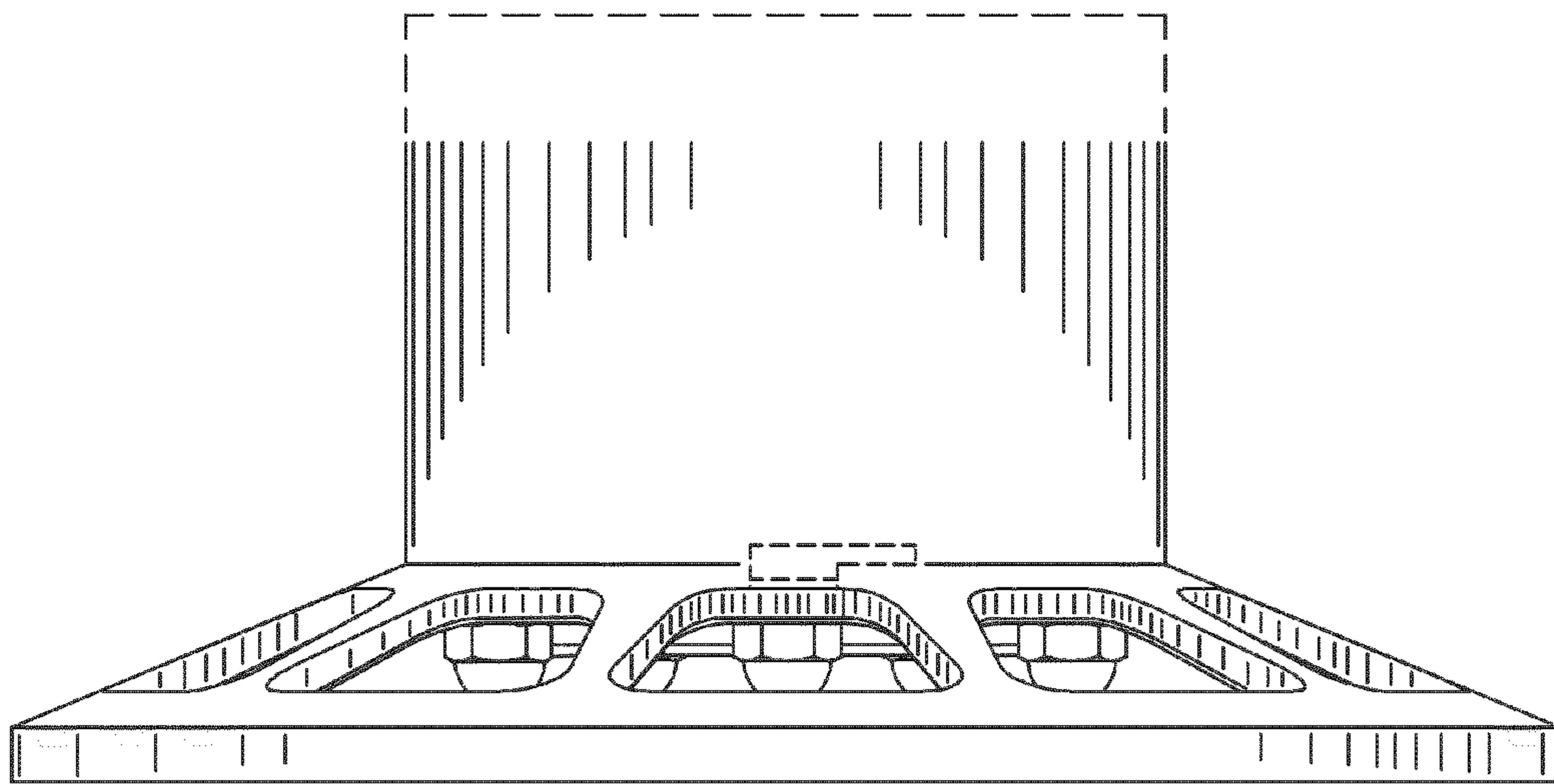


Fig. 4

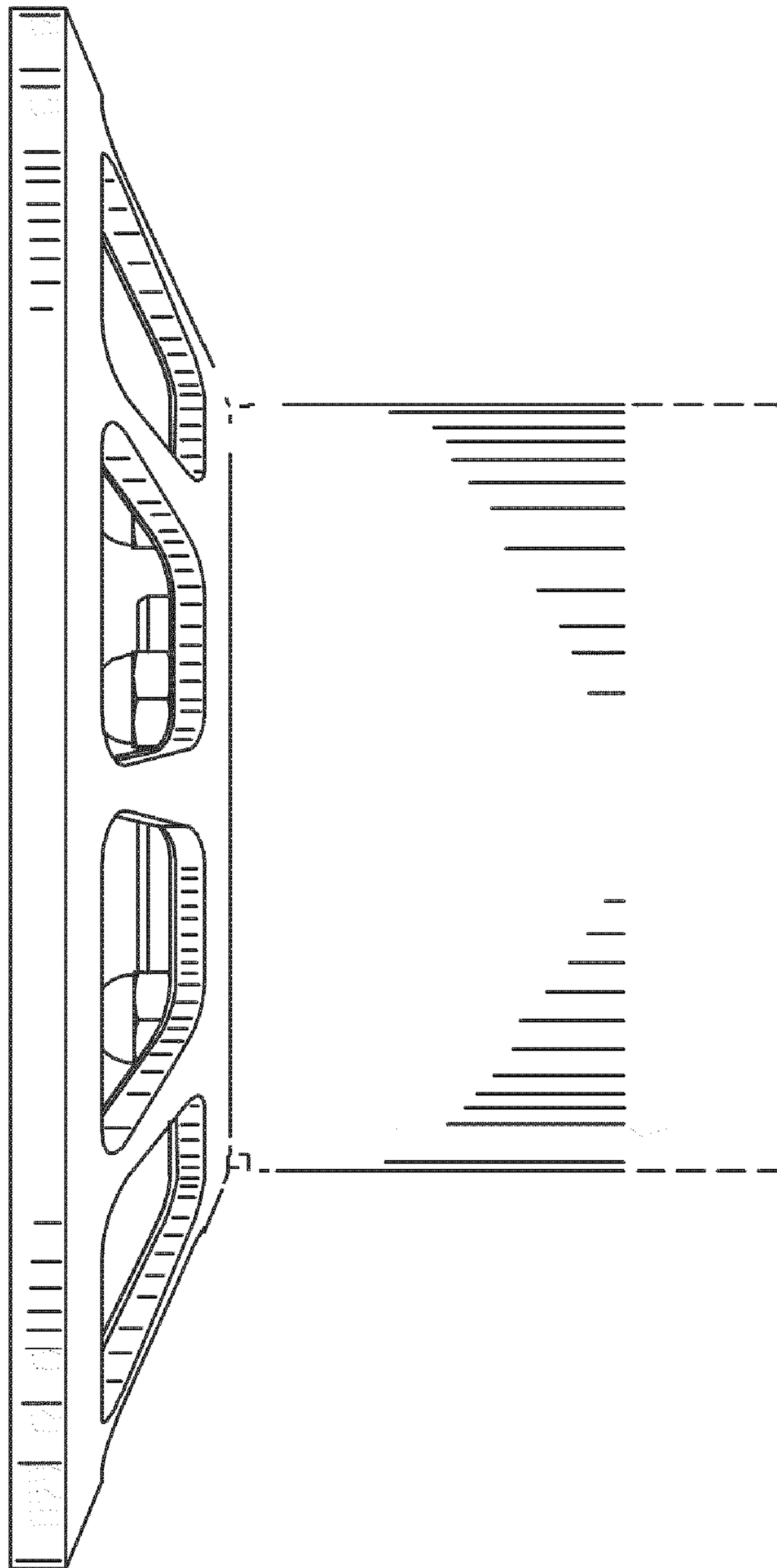


Fig. 5

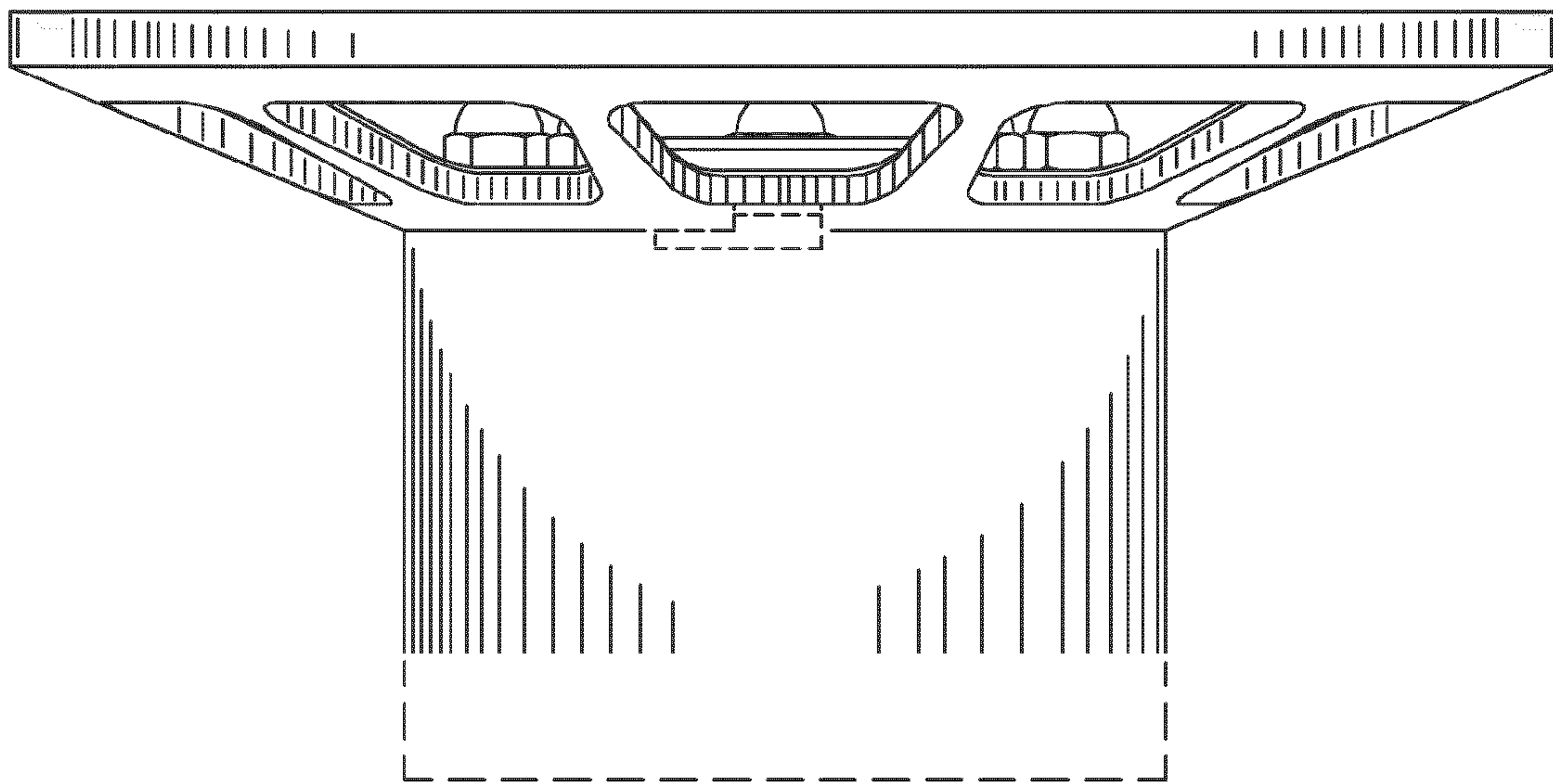


Fig. 6

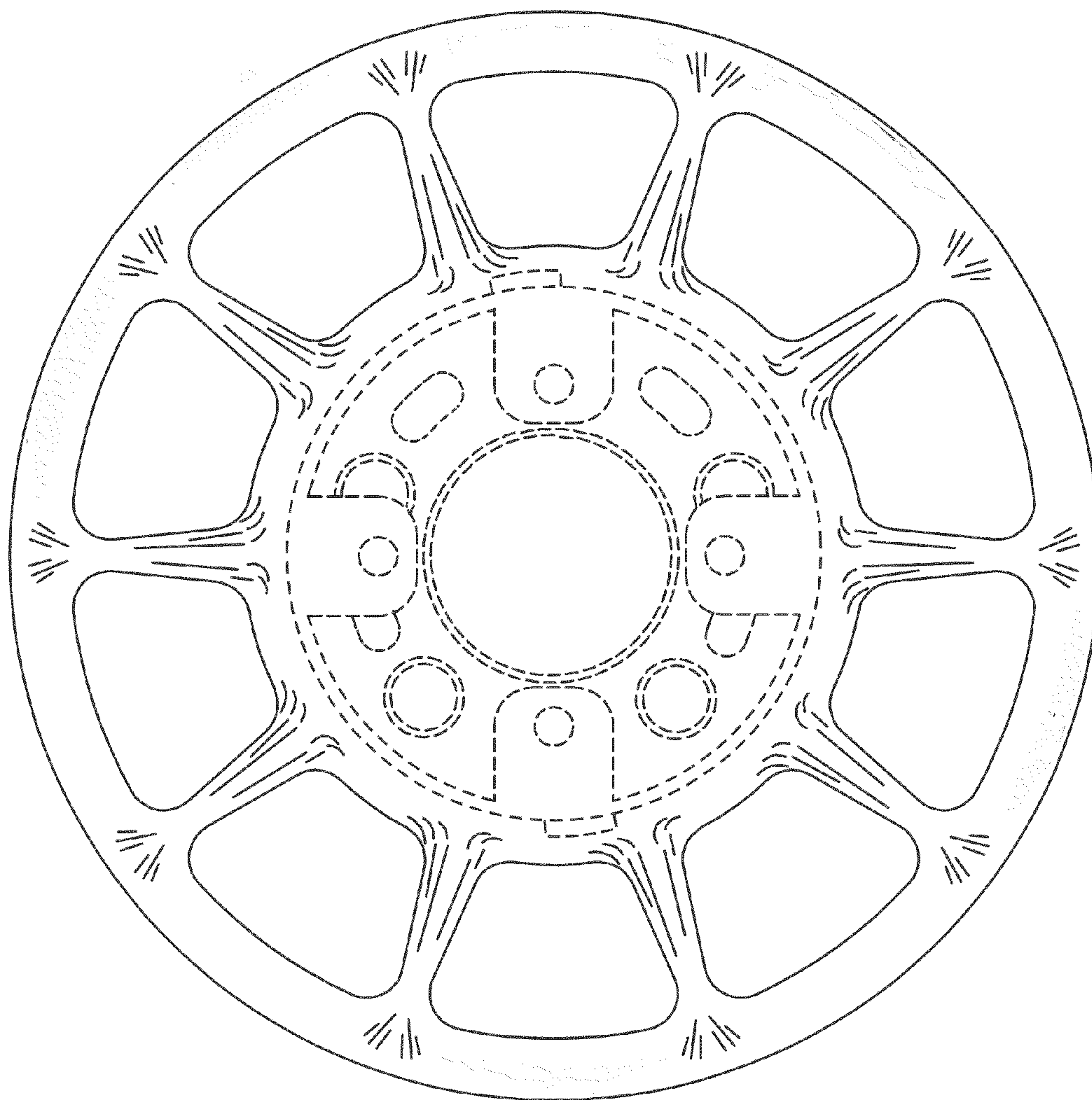


Fig. 7

UNITED STATES PATENT AND TRADEMARK OFFICE
CERTIFICATE OF CORRECTION

PATENT NO. : Des. 604,590 S
APPLICATION NO. : 29/330134
DATED : November 24, 2009
INVENTOR(S) : Goetz

Page 1 of 2

It is certified that error appears in the above-identified patent and that said Letters Patent is hereby corrected as shown below:

Delete drawing sheet 3 and substitute therefor the drawing sheet, consisting of figure 3 as shown on the attached page.

Signed and Sealed this

Twentieth Day of July, 2010

A handwritten signature in black ink that reads "David J. Kappos". The signature is written in a cursive style with a large initial 'D' and 'K'.

David J. Kappos
Director of the United States Patent and Trademark Office

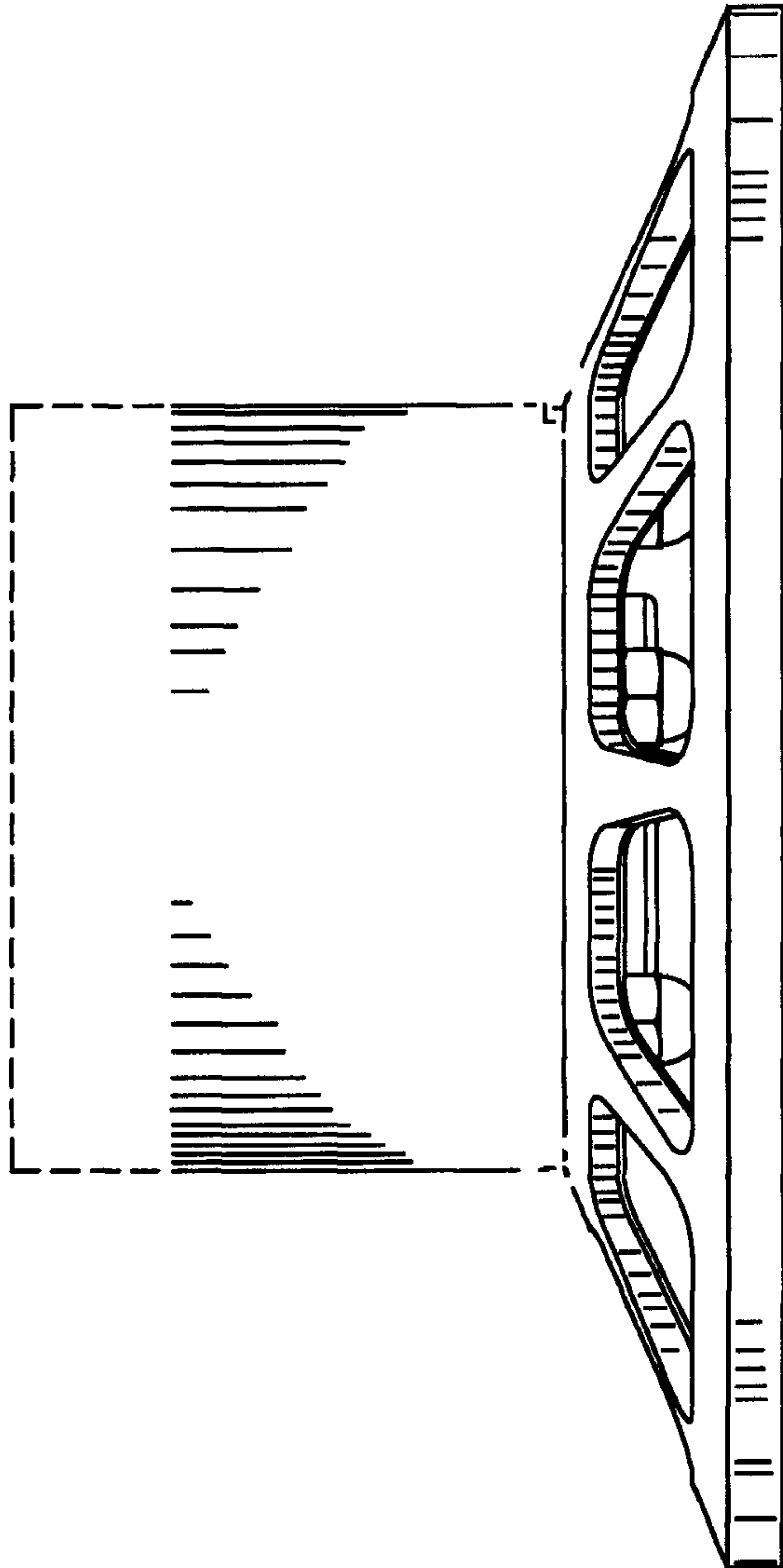


Fig. 3