



US00D604589S

(12) **United States Design Patent**
Johansson

(10) **Patent No.:** **US D604,589 S**

(45) **Date of Patent:** **** Nov. 24, 2009**

(54) **CORD LOCK**

(76) Inventor: **Benny Johansson**, Götagatan 3 B,
Hässleholm (SE) 28150

(**) Term: **14 Years**

(21) Appl. No.: **29/323,694**

(22) Filed: **Aug. 29, 2008**

(51) **LOC (9) Cl.** **08-05**

(52) **U.S. Cl.** **D8/356**

(58) **Field of Classification Search** D8/105,
D8/107, 333, 349, 354, 356, 358, 360, 360.1,
D8/367, 373, 382, 383, 394–396, 400; D13/153;
24/18, 197, 561; 52/220.7; 174/135, 153 G,
174/650, 656; 242/400.1, 405.1, 405.2, 600,
242/603; 248/65, 74.1–74.4, 201, 214, 215,
248/229.26; 439/92–108, 501, 535; 211/26;
16/2.1

See application file for complete search history.

(56) **References Cited**

U.S. PATENT DOCUMENTS

479,509	A *	7/1892	Heaphy, Jr.	24/130
656,431	A *	8/1900	Stewart	24/130
1,383,665	A *	7/1921	Rohan	24/129.6
1,485,266	A *	2/1924	Hennah	24/570
1,485,996	A *	3/1924	Stout	24/18
1,806,162	A *	5/1931	Hahn	24/726
1,987,127	A *	1/1935	Rice	463/393
2,133,068	A *	10/1938	Wegman	24/553
2,204,117	A *	6/1940	Branmer	474/241
2,229,935	A *	1/1941	Powers	24/131 R
2,292,140	A *	8/1942	Lofgren	24/130
2,422,358	A *	8/1947	Lobl	242/405.1
2,470,212	A *	5/1949	Carlson	242/405.1
2,533,341	A *	12/1950	Alfano	242/386
2,825,952	A *	3/1958	Van Driel	24/570
2,902,821	A *	9/1959	Kelly, Jr.	59/80
D259,244	S *	5/1981	Grecol, Jr.	D8/380
4,773,874	A *	9/1988	Kopeski, Jr.	439/359
5,179,044	A *	1/1993	Muromachi et al.	439/359
5,336,106	A *	8/1994	Osten	439/359
D359,229	S *	6/1995	Jules	D8/355
5,423,693	A *	6/1995	Light	439/359
D369,756	S *	5/1996	Noel	D10/84

D372,188	S *	7/1996	Van Dyke	D8/358
D372,420	S *	8/1996	Mendez	D8/383
5,547,390	A *	8/1996	Laherty	439/373
5,593,312	A *	1/1997	McCracken	439/365
5,625,925	A *	5/1997	Richards	24/129 B
D389,050	S *	1/1998	Li	D8/395
6,012,940	A *	1/2000	Wheeler	439/359
D461,115	S *	8/2002	Vassioukevitch	D3/353
6,833,508	B2 *	12/2004	Cha	174/135
D505,616	S *	5/2005	Wingerter et al.	D8/383
6,979,221	B1 *	12/2005	Hunter	439/365
7,081,004	B1 *	7/2006	Puzio	438/369
7,143,708	B1 *	12/2006	Cimino	114/219
D576,867	S *	9/2008	Kratz	D8/356

FOREIGN PATENT DOCUMENTS

NZ 401117 * 11/2000

* cited by examiner

Primary Examiner—T. Chase Nelson

Assistant Examiner—Karen Acker

(57) **CLAIM**

The ornamental design for a cord lock, as shown and described.

DESCRIPTION

The cord lock in combination with an elastic cord is used for bundling cables.

FIG. 1 is a perspective view of a cord lock showing my new design;

FIG. 2 is a left side elevational view thereof;

FIG. 3 is a front elevational view, the opposite side being a mirror image thereof;

FIG. 4 is a right side elevational view thereof;

FIG. 5 is a bottom plan view thereof;

FIG. 6 is an environmental, perspective view thereof; and,

FIG. 7 is an environmental, top plan view thereof.

The broken lines are for illustrative purposes only and forms no part of the claimed design.

1 Claim, 2 Drawing Sheets

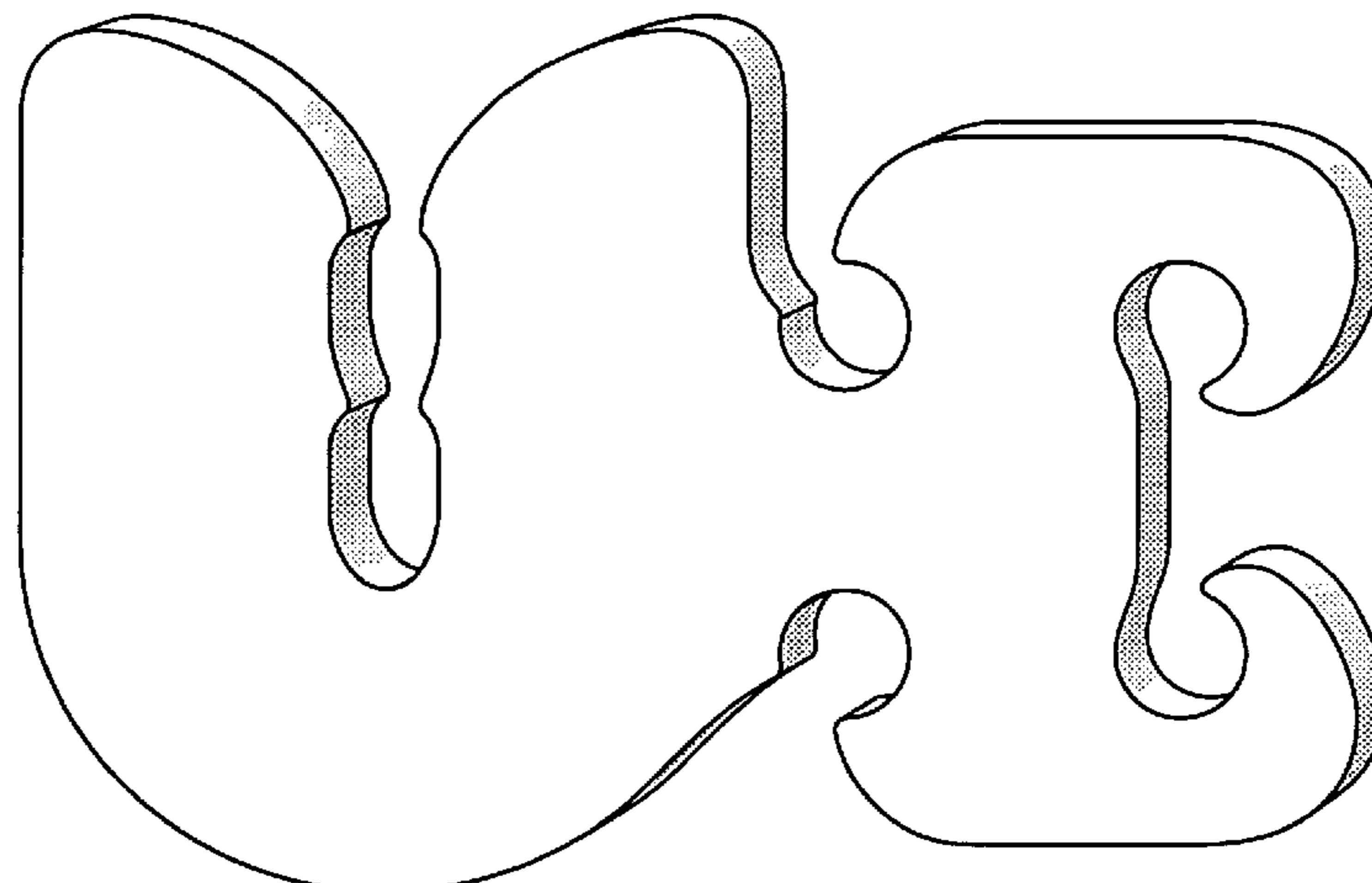


Fig. 1

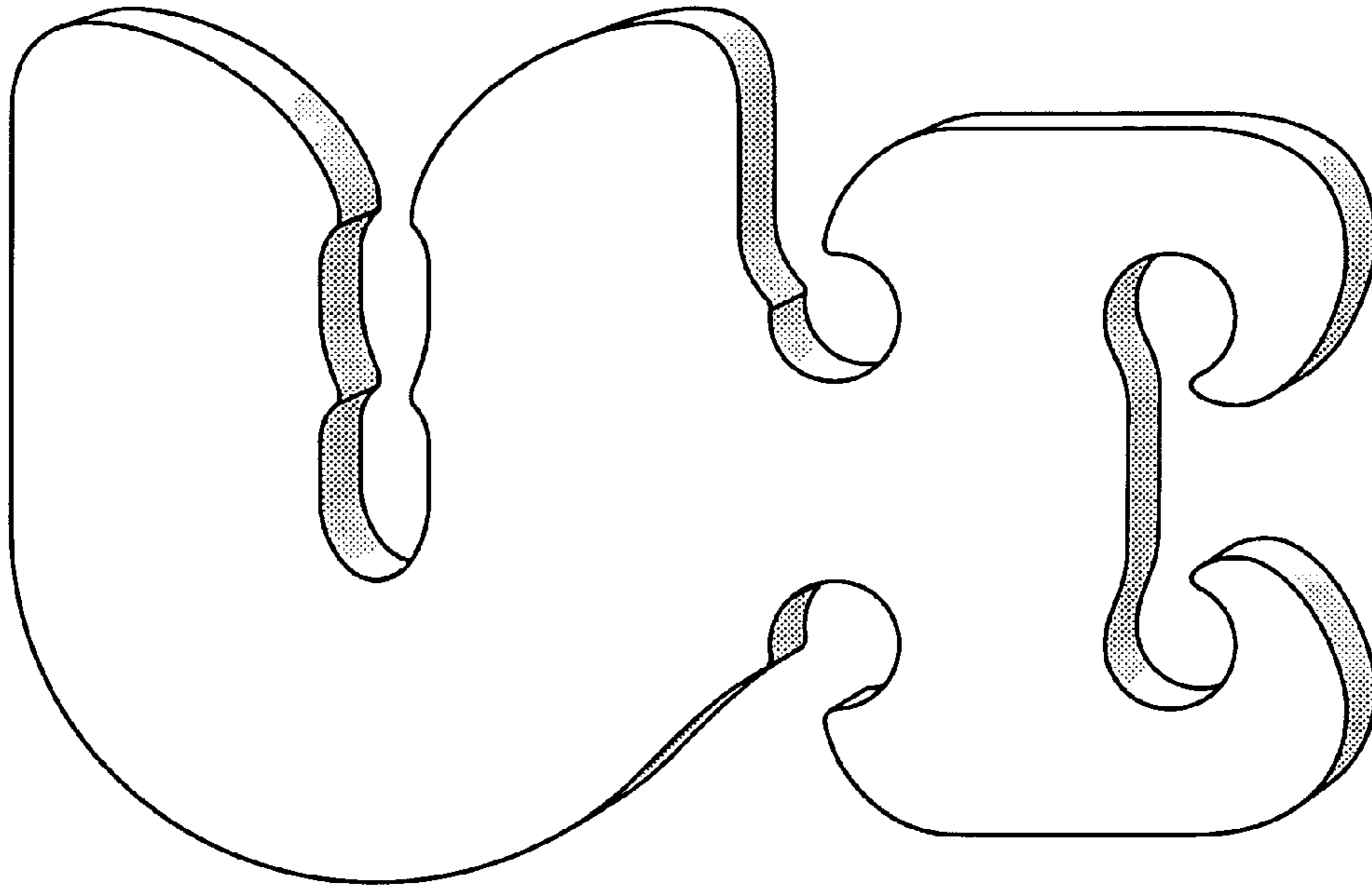


Fig. 2



Fig. 3

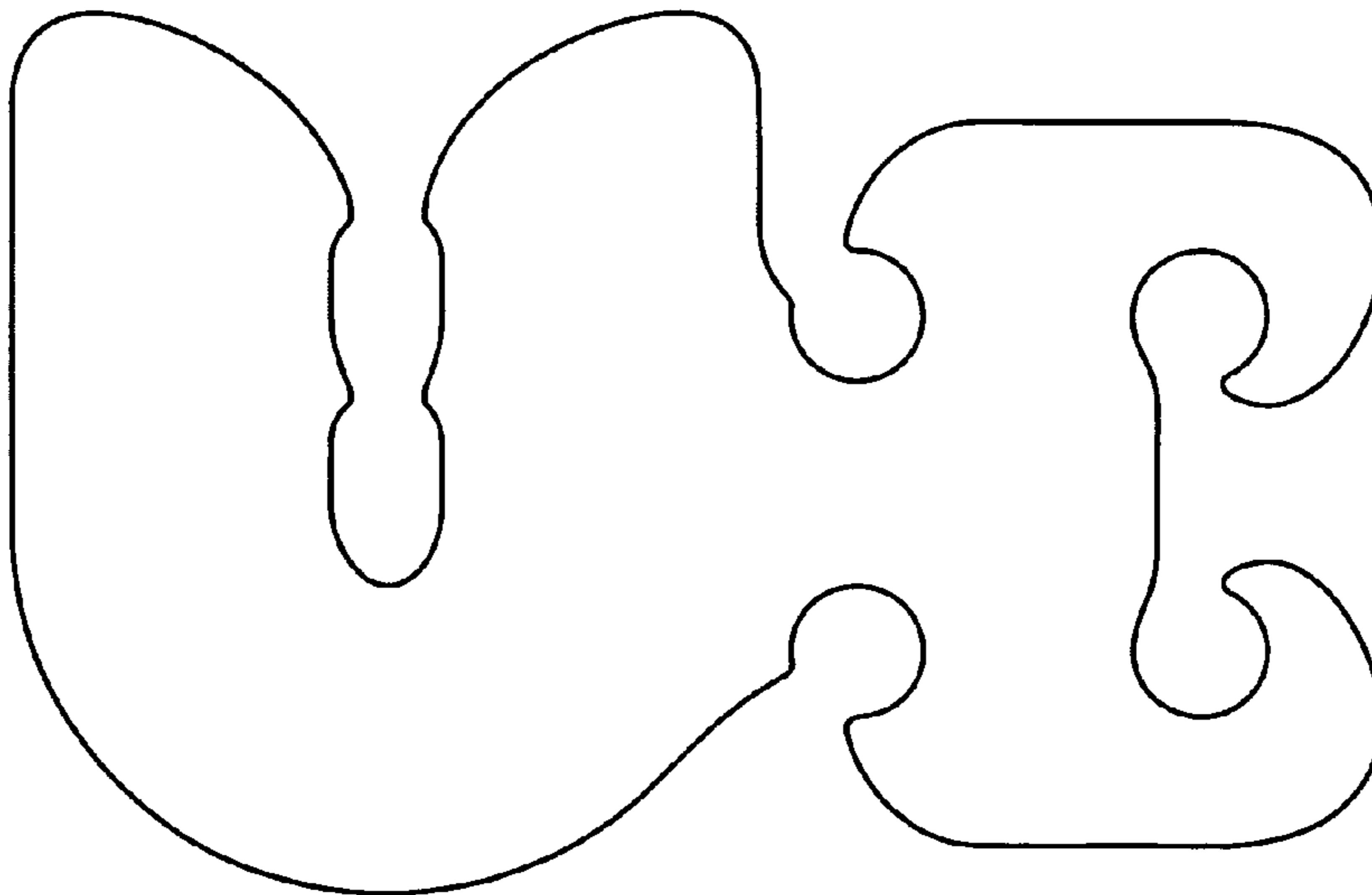


Fig. 4



Fig. 5



Fig. 6

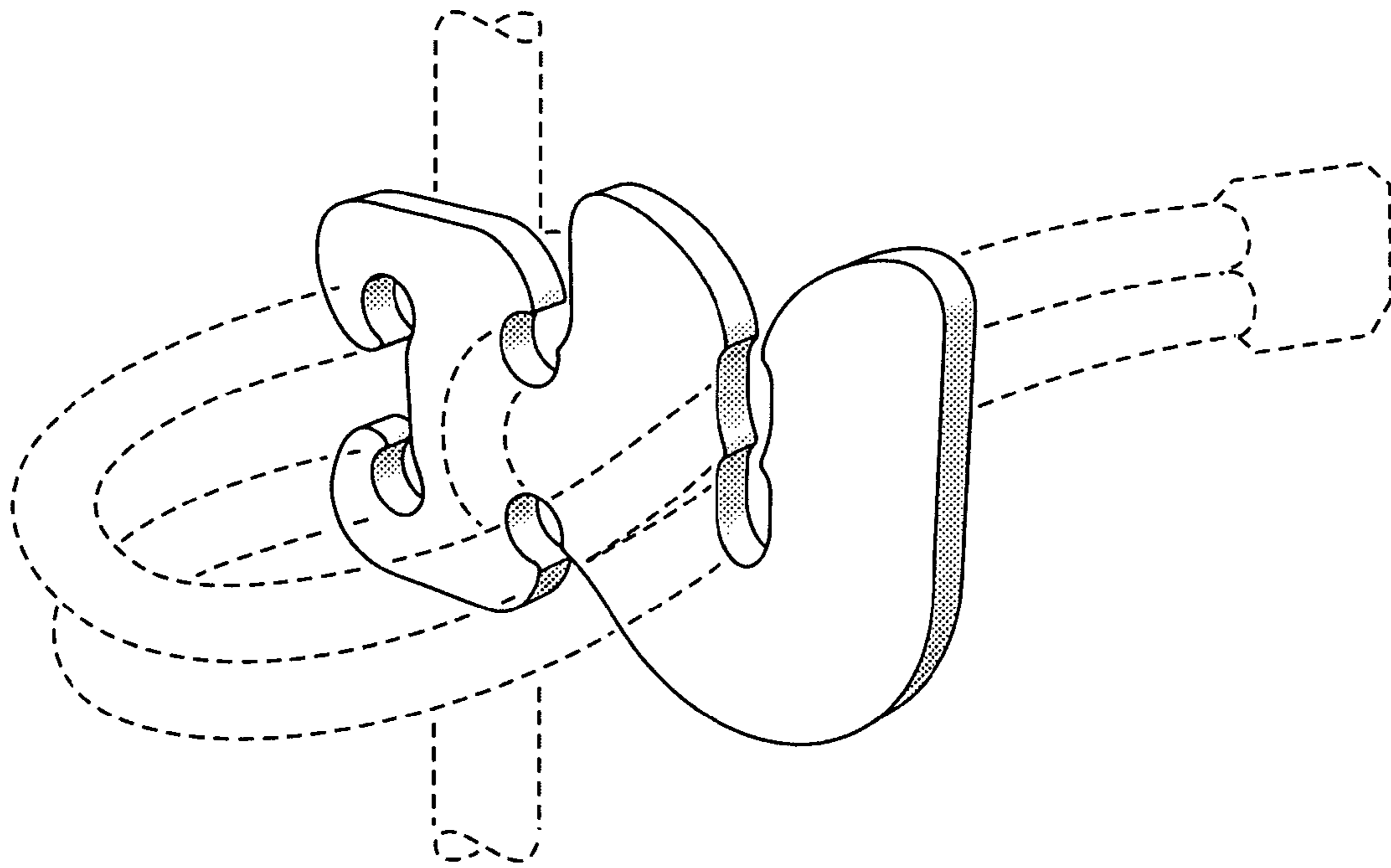
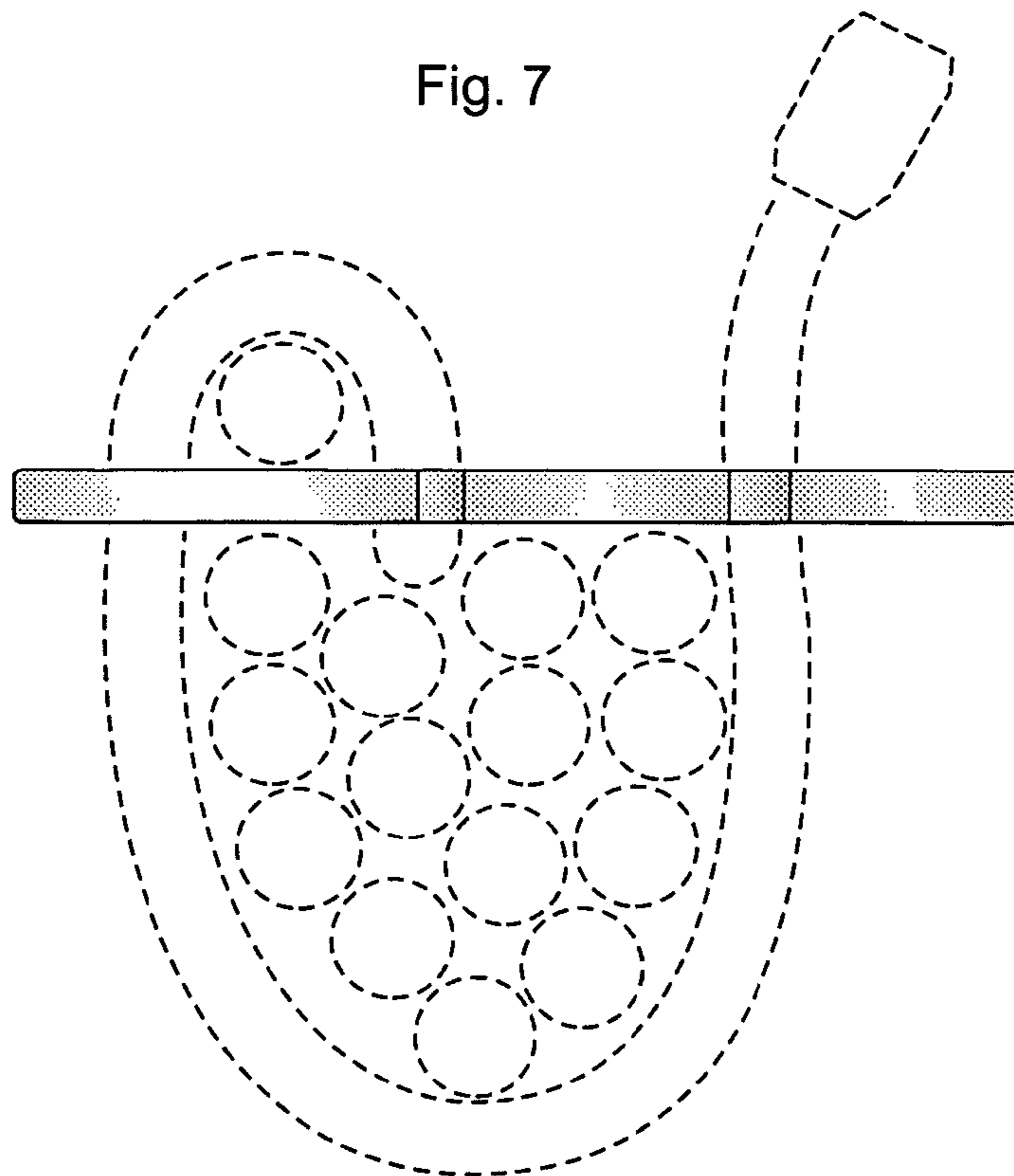


Fig. 7



UNITED STATES PATENT AND TRADEMARK OFFICE
CERTIFICATE OF CORRECTION

PATENT NO. : D604,589 S
APPLICATION NO. : 29/323694
DATED : November 24, 2009
INVENTOR(S) : Benny Johansson

Page 1 of 4

It is certified that error appears in the above-identified patent and that said Letters Patent is hereby corrected as shown below:

The Title page, showing an illustrative figure, should be deleted and substitute therefor the attached title page.

Delete drawing sheets 1-2, and substitute therefor the drawing sheets, consisting of figs. 1-7 as shown on attached pages.

Signed and Sealed this
Fourth Day of September, 2012

A handwritten signature in black ink that reads "David J. Kappos". The signature is written in a cursive, slightly slanted style.

David J. Kappos
Director of the United States Patent and Trademark Office

(12) **United States Design Patent**
Johansson

(10) **Patent No.:** US D604,589 S
(45) **Date of Patent:** ** Nov. 24, 2009

(54) **CORD LOCK**

(76) **Inventor:** Benny Johansson, Götagatan 3 B,
Hässleholm (SE) 28150

(**) **Term:** 14 Years

(21) **Appl. No.:** 29/323,694

(22) **Filed:** Aug. 29, 2008

(51) **LOC (9) Cl.** 08-05

(52) **U.S. Cl.** D8/356

(58) **Field of Classification Search** D8/105,
D8/107, 333, 349, 354, 356, 358, 360, 360.1,
D8/367, 373, 382, 383, 394-396, 400; D13/153;
24/18, 197, 561; 52/220.7; 174/135, 153 G,
174/650, 656; 242/400.1, 405.1, 405.2, 600,
242/603; 248/65, 74.1-74.4, 201, 214, 215,
248/229.26; 439/92-108, 501, 535; 211/26;
16/2.1

See application file for complete search history.

(56) **References Cited**

U.S. PATENT DOCUMENTS

- 479,509 A * 7/1892 Heaphy, Jr. 24/130
- 656,431 A * 8/1900 Stewart 24/130
- 1,383,665 A * 7/1921 Rohan 24/129.6
- 1,485,266 A * 2/1924 Hennah 24/570
- 1,485,996 A * 3/1924 Stout 24/18
- 1,806,162 A * 5/1931 Hahn 24/726
- 1,987,127 A * 1/1935 Rice 463/393
- 2,133,068 A * 10/1938 Wegman 24/553
- 2,204,117 A * 6/1940 Branmer 474/241
- 2,229,935 A * 1/1941 Powers 24/131 R
- 2,292,140 A * 8/1942 Lofgren 24/130
- 2,422,358 A * 8/1947 Lobl 242/405.1
- 2,470,212 A * 5/1949 Carlson 242/405.1
- 2,533,341 A * 12/1950 Alfano 242/386
- 2,825,952 A * 3/1958 Van Driel 24/570
- 2,902,821 A * 9/1959 Kelly, Jr. 59/80
- D259,244 S * 5/1981 Grecol, Jr. D8/380
- 4,773,874 A * 9/1988 Kopeski, Jr. 439/359
- 5,179,044 A * 1/1993 Muromachi et al. 439/359
- 5,336,106 A * 8/1994 Osten 439/359
- D359,229 S * 6/1995 Jules D8/355
- 5,423,693 A * 6/1995 Light 439/359
- D369,756 S * 5/1996 Noel D10/84

- D372,188 S * 7/1996 Van Dyke D8/358
- D372,420 S * 8/1996 Mendez D8/383
- 5,547,390 A * 8/1996 Laherty 439/373
- 5,593,312 A * 1/1997 McCracken 439/365
- 5,625,925 A * 5/1997 Richards 24/129 B
- D389,050 S * 1/1998 Li D8/395
- 6,012,940 A * 1/2000 Wheeler 439/359
- D461,115 S * 8/2002 Vassioukevitch D3/353
- 6,833,508 B2 * 12/2004 Cha 174/135
- D505,616 S * 5/2005 Wingerter et al. D8/383
- 6,979,221 B1 * 12/2005 Hunter 439/365
- 7,081,004 B1 * 7/2006 Puzio 438/369
- 7,143,708 B1 * 12/2006 Cimino 114/219
- D576,867 S * 9/2008 Kratz D8/356

FOREIGN PATENT DOCUMENTS

NZ 401117 * 11/2000

* cited by examiner

Primary Examiner—T. Chase Nelson

Assistant Examiner—Karen Acker

(57) **CLAIM**

The ornamental design for a cord lock, as shown and described.

DESCRIPTION

The cord lock in combination with an elastic cord is used for bundling cables.

FIG. 1 is a perspective view of a cord lock showing my new design;

FIG. 2 is a left side elevational view thereof;

FIG. 3 is a front elevational view, the opposite side being a mirror image thereof;

FIG. 4 is a right side elevational view thereof;

FIG. 5 is a bottom plan view thereof;

FIG. 6 is an environmental, perspective view thereof; and,

FIG. 7 is an environmental, top plan view thereof.

The broken lines are for illustrative purposes only and forms no part of the claimed design.

1 Claim, 2 Drawing Sheets

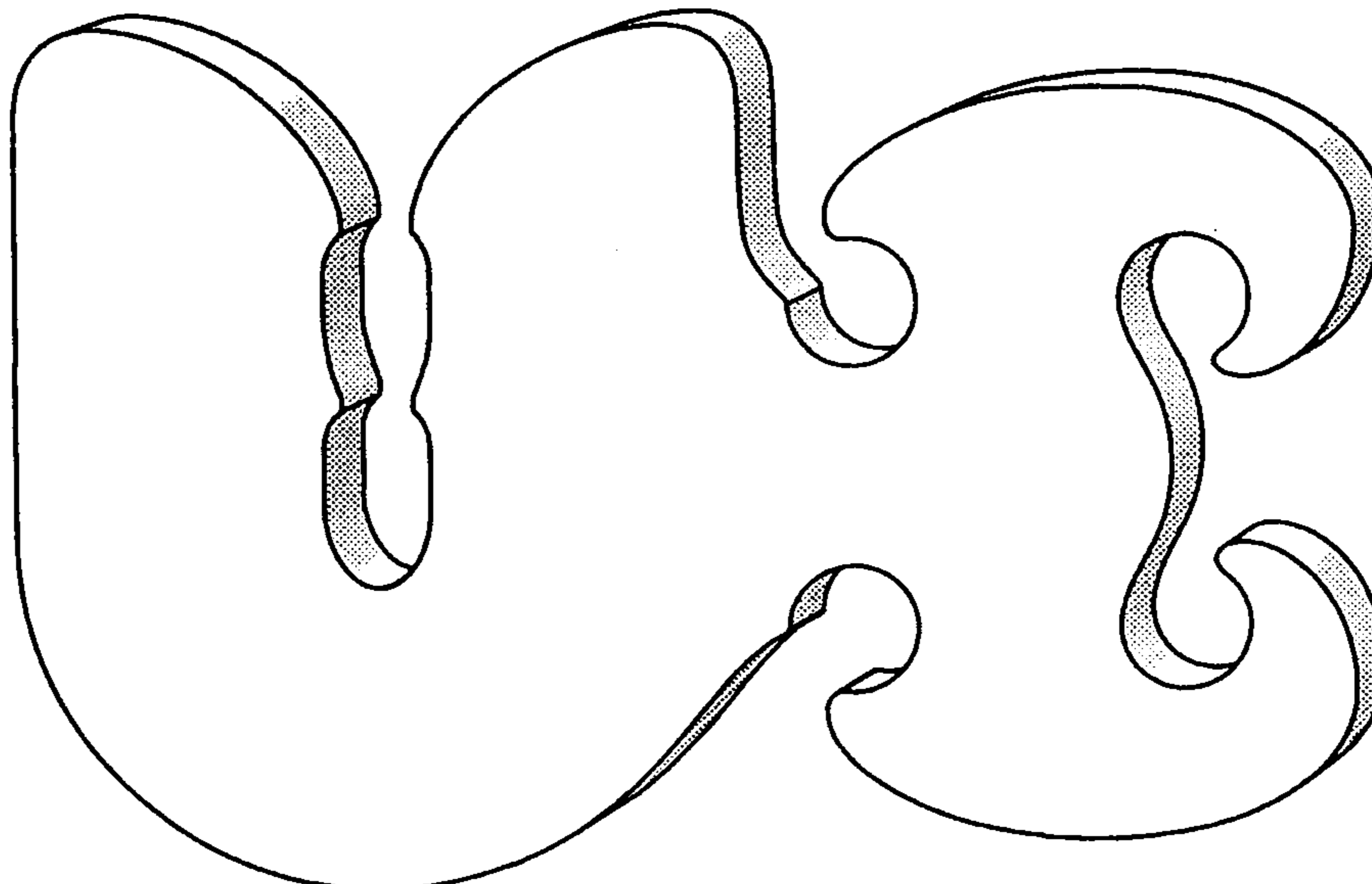


Fig. 1

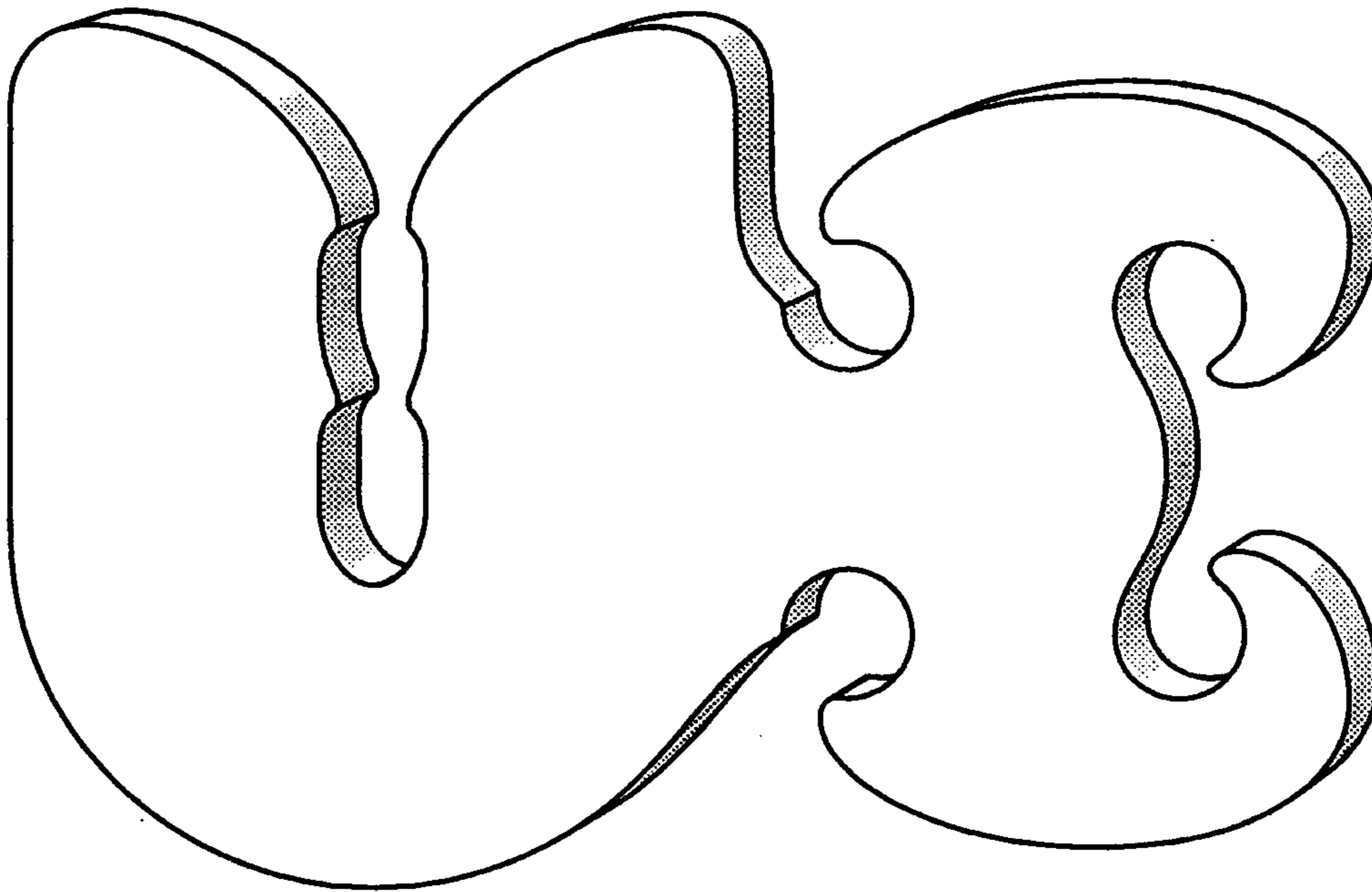


Fig. 2

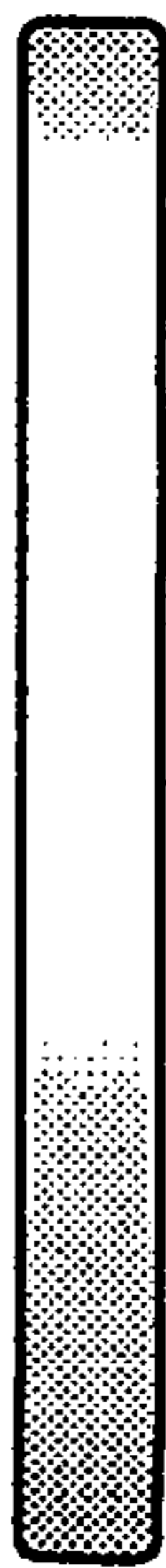


Fig. 3

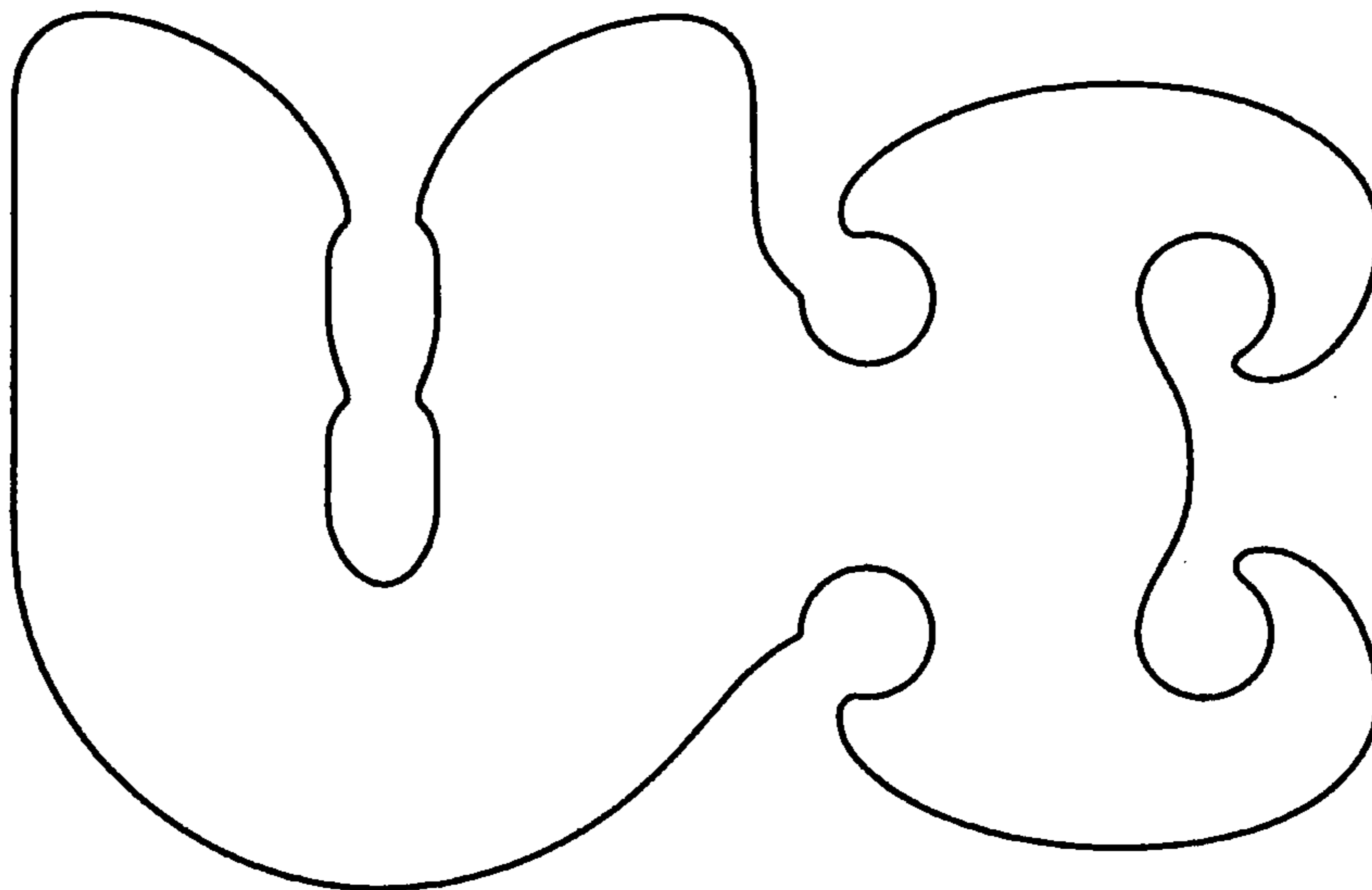


Fig. 4

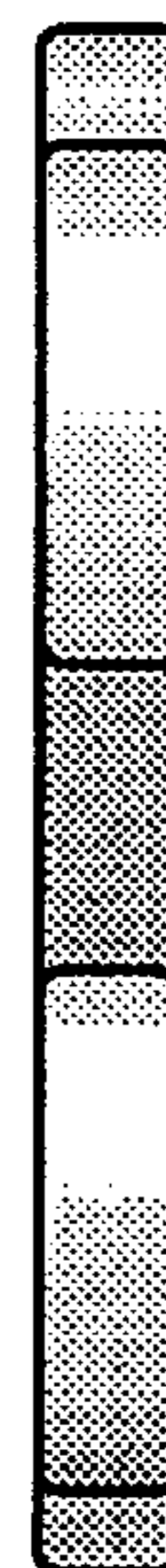


Fig. 5



Fig. 6

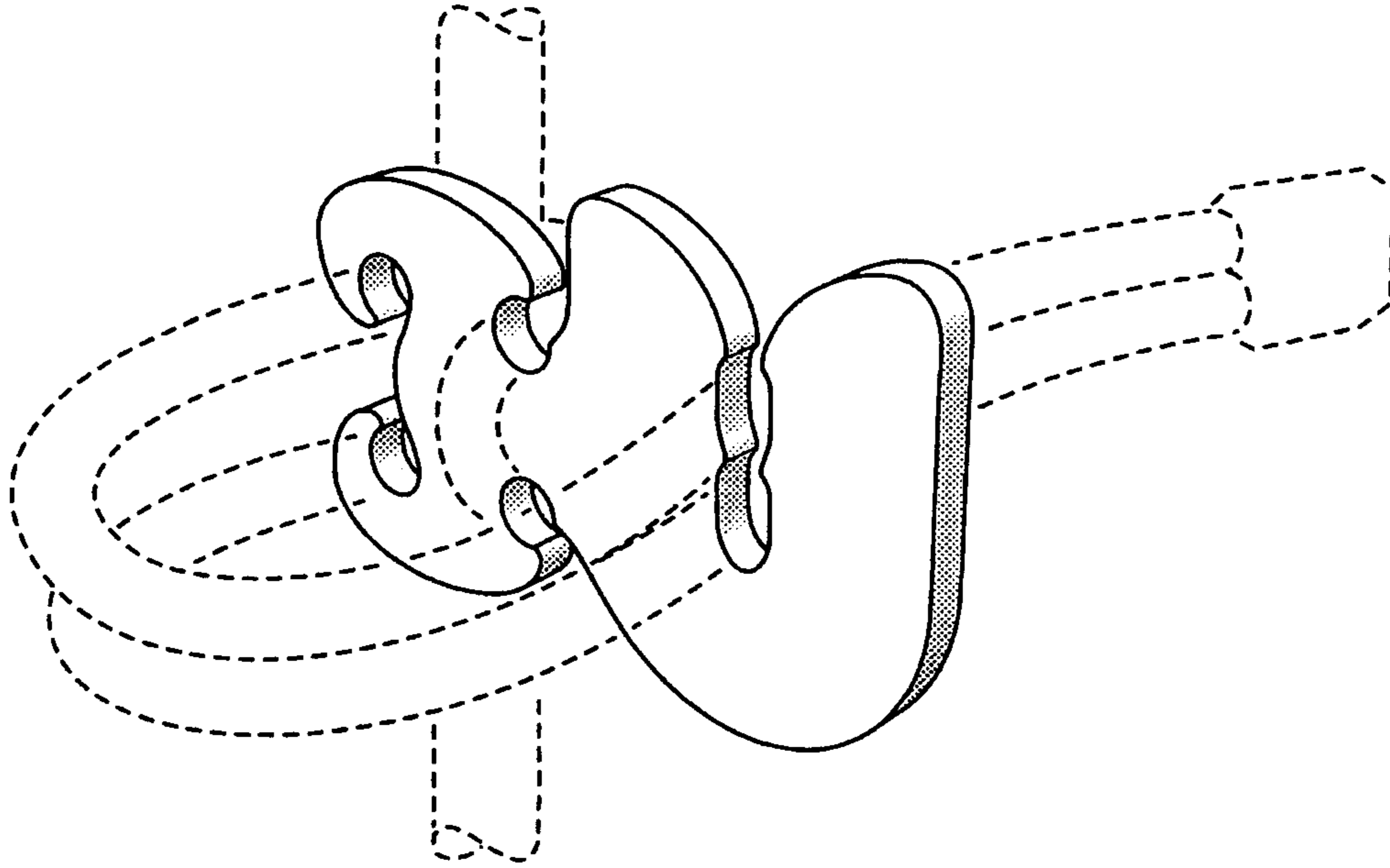


Fig. 7

