

US00D604587S

(12) **United States Design Patent**
Susic

(10) **Patent No.:** **US D604,587 S**

(45) **Date of Patent:** **** Nov. 24, 2009**

(54) **HANDLE ASSEMBLY**

(76) **Inventor:** **Josh Susic**, 2969 Warbler Way, #2,
Bozeman, MT (US) 59718

(**) **Term:** **14 Years**

(21) **Appl. No.:** **29/334,483**

(22) **Filed:** **Mar. 27, 2009**

(51) **LOC (9) Cl.** **08-06**

(52) **U.S. Cl.** **D8/316**

(58) **Field of Classification Search** D8/300–302,
D8/305, 310, 312–321, DIG. 1; D6/633;
D7/393; D3/291, 318; D23/250–254; 292/347,
292/336.3; 16/101.1, 412, 414–420, 443–446,
16/441, 110 R, 111 R, DIG. 19, DIG. 20
See application file for complete search history.

(56) **References Cited**

U.S. PATENT DOCUMENTS

D200,196 S *	2/1965	Carsello	D8/317
D299,110 S *	12/1988	Jans	D8/316
D299,111 S *	12/1988	Jans	D8/316
D301,200 S *	5/1989	Jans	D8/305
D320,337 S *	10/1991	Tye et al.	D8/319
D337,507 S *	7/1993	Jans	D8/316
D388,685 S *	1/1998	Schlereth	D8/319
D438,776 S *	3/2001	Boscherini	D8/316
D471,075 S *	3/2003	Fields	D8/316

D521,355 S *	5/2006	Gehry	D8/315
D542,119 S *	5/2007	Ricereto	D8/317
D562,104 S *	2/2008	Griffis	D8/300

* cited by examiner

Primary Examiner—Stella M Reid

Assistant Examiner—Mark A Goodwin

(74) *Attorney, Agent, or Firm*—Jay Schloff

(57) **CLAIM**

The ornamental design for a handle assembly, as shown and described.

DESCRIPTION

FIG. 1 is a top front perspective view of a handle assembly showing my new design;

FIG. 2 is a reduced exploded top front perspective view of the handle of FIG. 1;

FIG. 3 is a front view of the handle of FIG. 1;

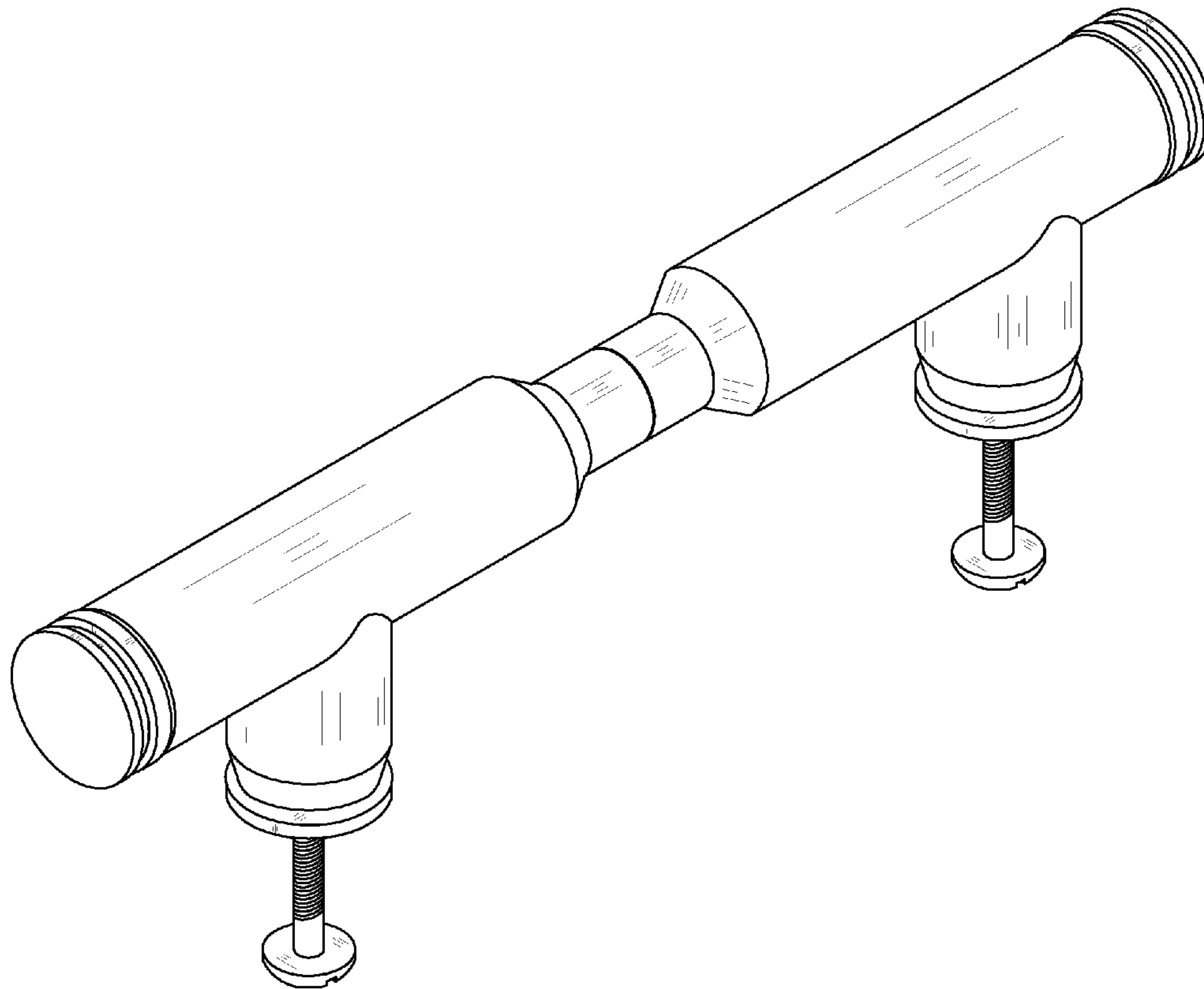
FIG. 4 is a side view of the handle of FIG. 1;

FIG. 5 is a bottom view of the handle of FIG. 1; and,

FIG. 6 is a top view of the handle of FIG. 1.

The broken line showing of the middle section and bottom protrusions in FIG. 2 is included for the purpose of illustrating portions of the handle and forms no part of the claimed design.

1 Claim, 4 Drawing Sheets



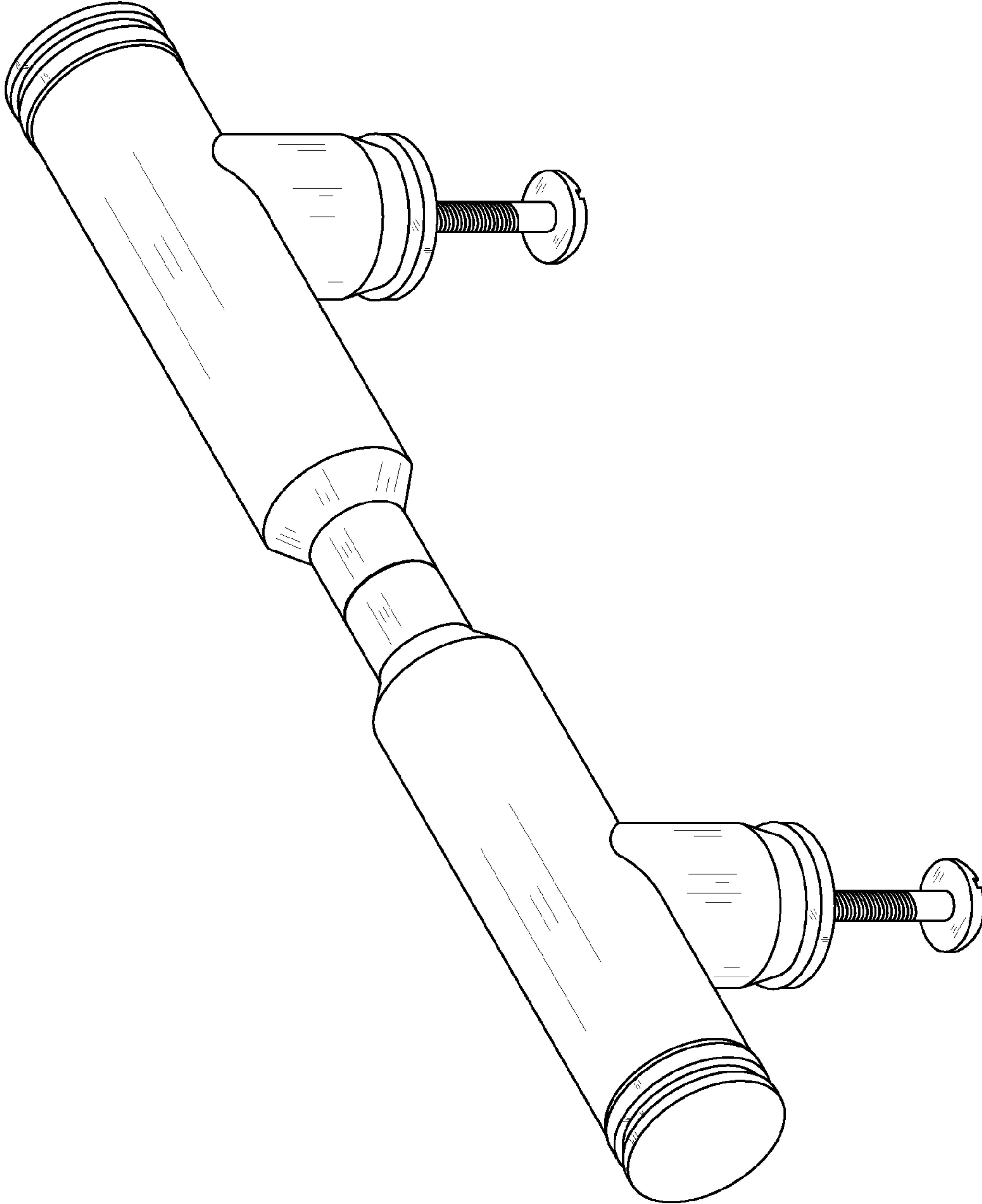


FIG. 1

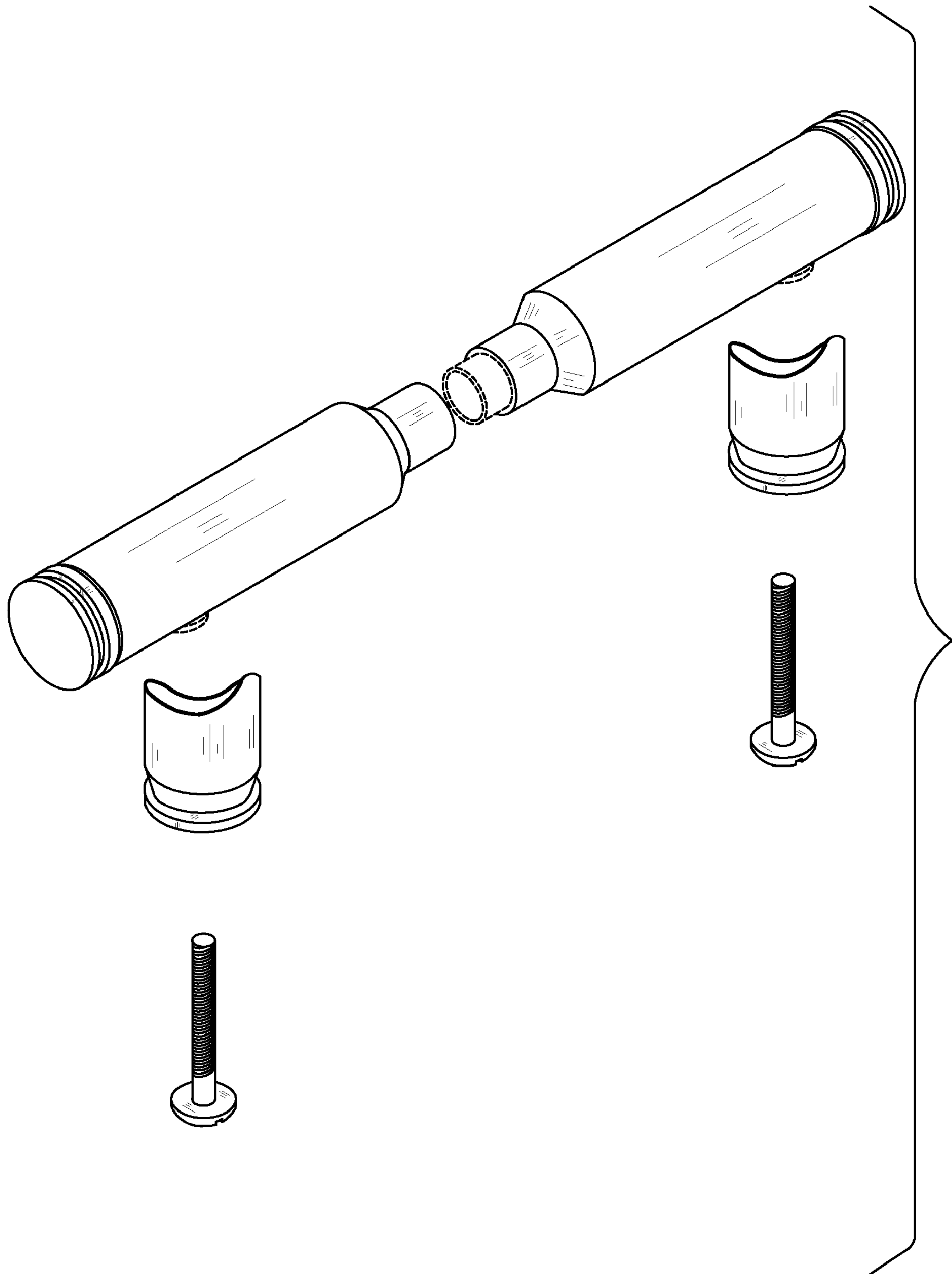


FIG. 2

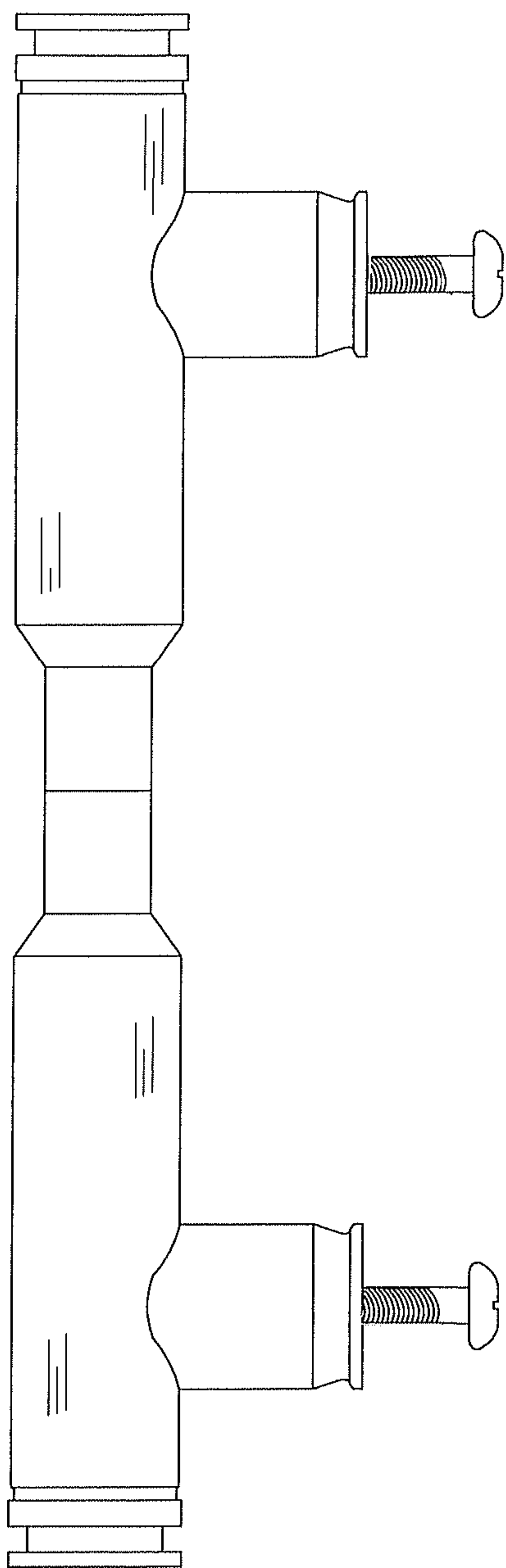


FIG. 3

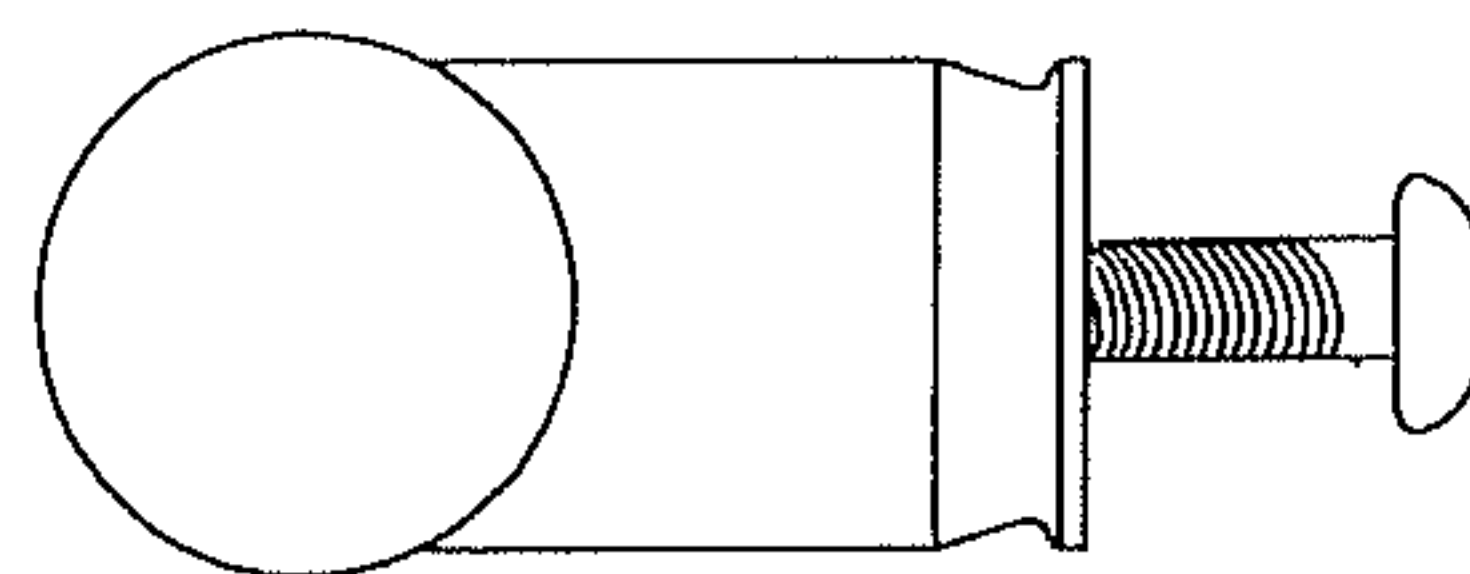


FIG. 4

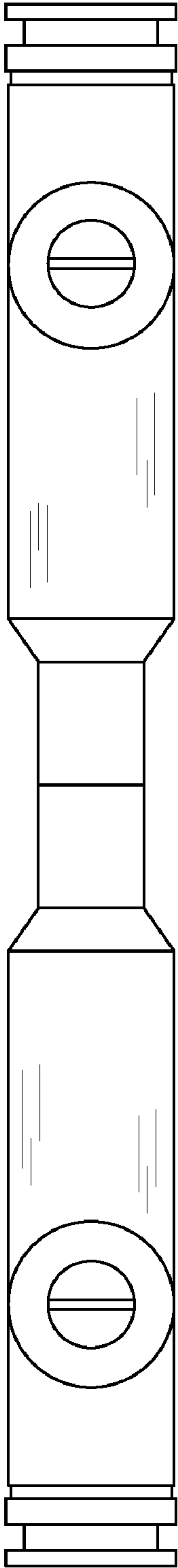


FIG. 5

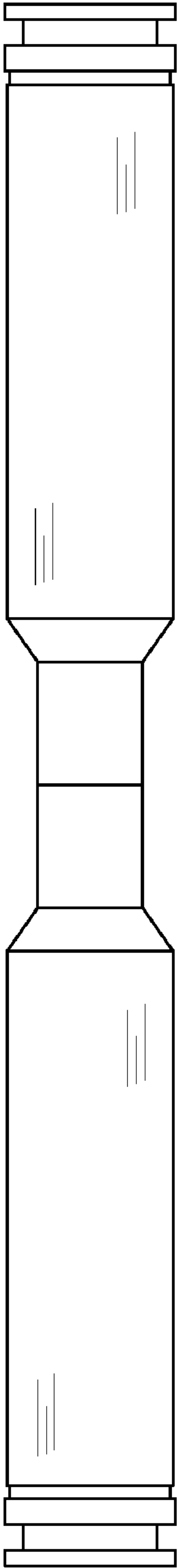


FIG. 6