



US00D604586S

(12) **United States Design Patent**
Rauk et al.

(10) **Patent No.:** **US D604,586 S**

(45) **Date of Patent:** **** Nov. 24, 2009**

(54) **KNOB**

(75) Inventors: **Sarah Rauk**, Aurora, OH (US);
Elizabeth M. Steiger, Akron, OH (US)

(73) Assignee: **Masco Retail Cabinet Group, LLC**,
Middlefield, OH (US)

(**) Term: **14 Years**

(21) Appl. No.: **29/334,616**

(22) Filed: **Mar. 30, 2009**

(51) **LOC (9) Cl.** **08-06**

(52) **U.S. Cl.** **D8/312; D8/310; D8/305**

(58) **Field of Classification Search** D8/300-302,
D8/305, 310, 312-321, DIG. 1; D6/633;
D7/393; D3/291, 318; D23/250-254; 292/347,
292/336.3; 16/101.1, 412, 414-420, 443-446,
16/441, 110 R, 111 R, DIG. 19, DIG. 20
See application file for complete search history.

(56) **References Cited**

U.S. PATENT DOCUMENTS

D263,554 S *	3/1982	Wasbrough et al.	D8/301
D355,834 S *	2/1995	Chieda	D8/305
D545,665 S *	7/2007	Ricereto et al.	D8/310
D550,535 S *	9/2007	Hoernig	D8/310
D564,332 S *	3/2008	McConnell	D8/310

D567,624 S *	4/2008	Ricereto	D8/307
D577,982 S *	10/2008	Thompson	D8/301
D579,749 S *	11/2008	Jou	D8/310
D579,751 S *	11/2008	Hoernig	D8/310
D580,252 S *	11/2008	Hoernig	D8/310
D580,735 S *	11/2008	Matijevic	D8/310
D580,736 S *	11/2008	Matijevic	D8/310
D580,737 S *	11/2008	Singtoroj	D8/312
D585,263 S *	1/2009	Jou	D8/305
D589,776 S *	4/2009	Camp	D8/312
D592,483 S *	5/2009	Ricereto	D8/310

* cited by examiner

Primary Examiner—Stella M Reid

Assistant Examiner—Mark A Goodwin

(74) *Attorney, Agent, or Firm*—Edgar A. Zarins; Nirav D. Parikh

(57) **CLAIM**

The ornamental design for a knob, as shown and described.

DESCRIPTION

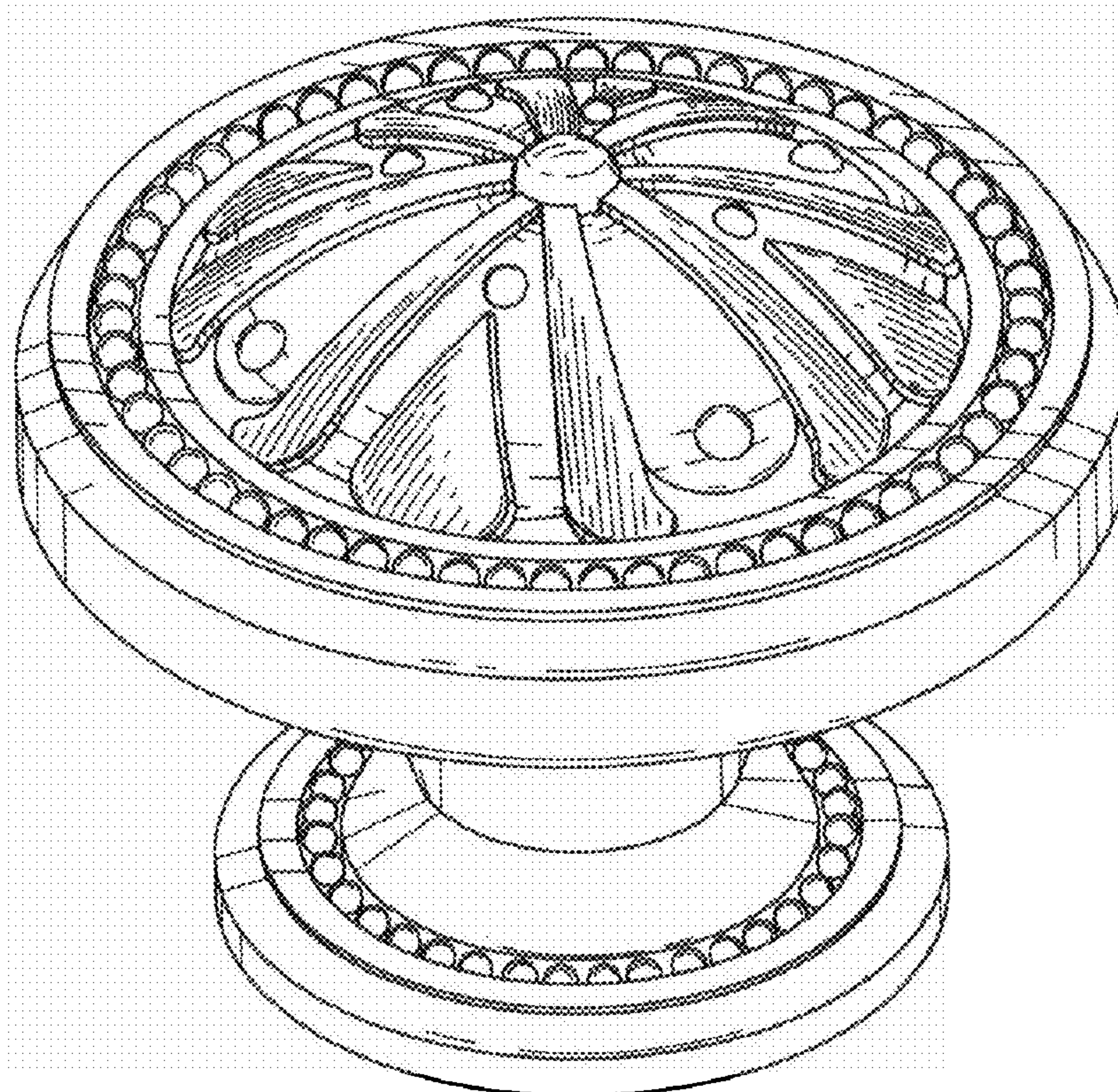
FIG. 1 is a perspective view of a knob showing our new design;

FIG. 2 is a top plan view thereof;

FIG. 3 is a front side view thereof; and,

FIG. 4 is a second side view thereof.

1 Claim, 2 Drawing Sheets



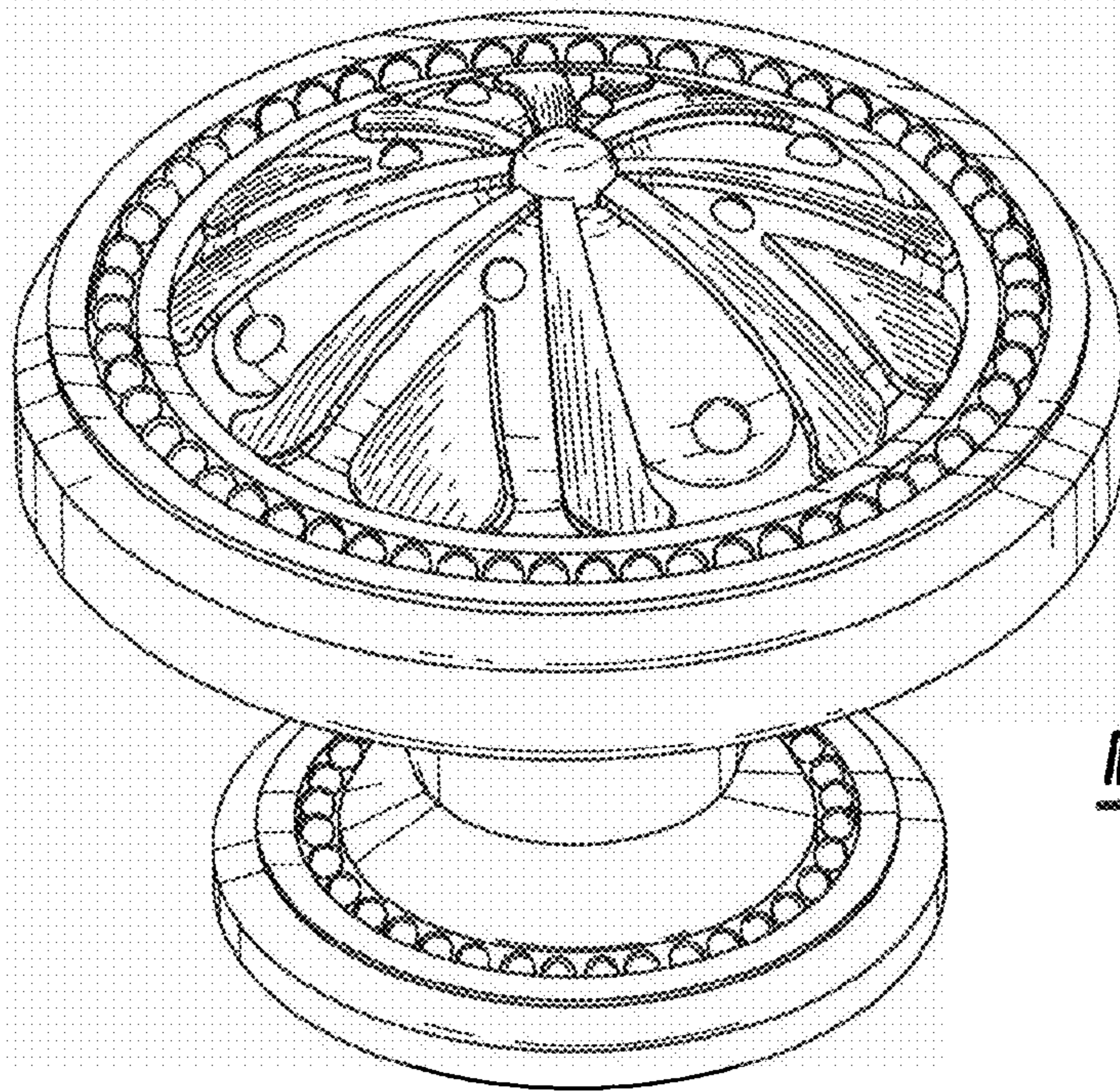


Fig-1

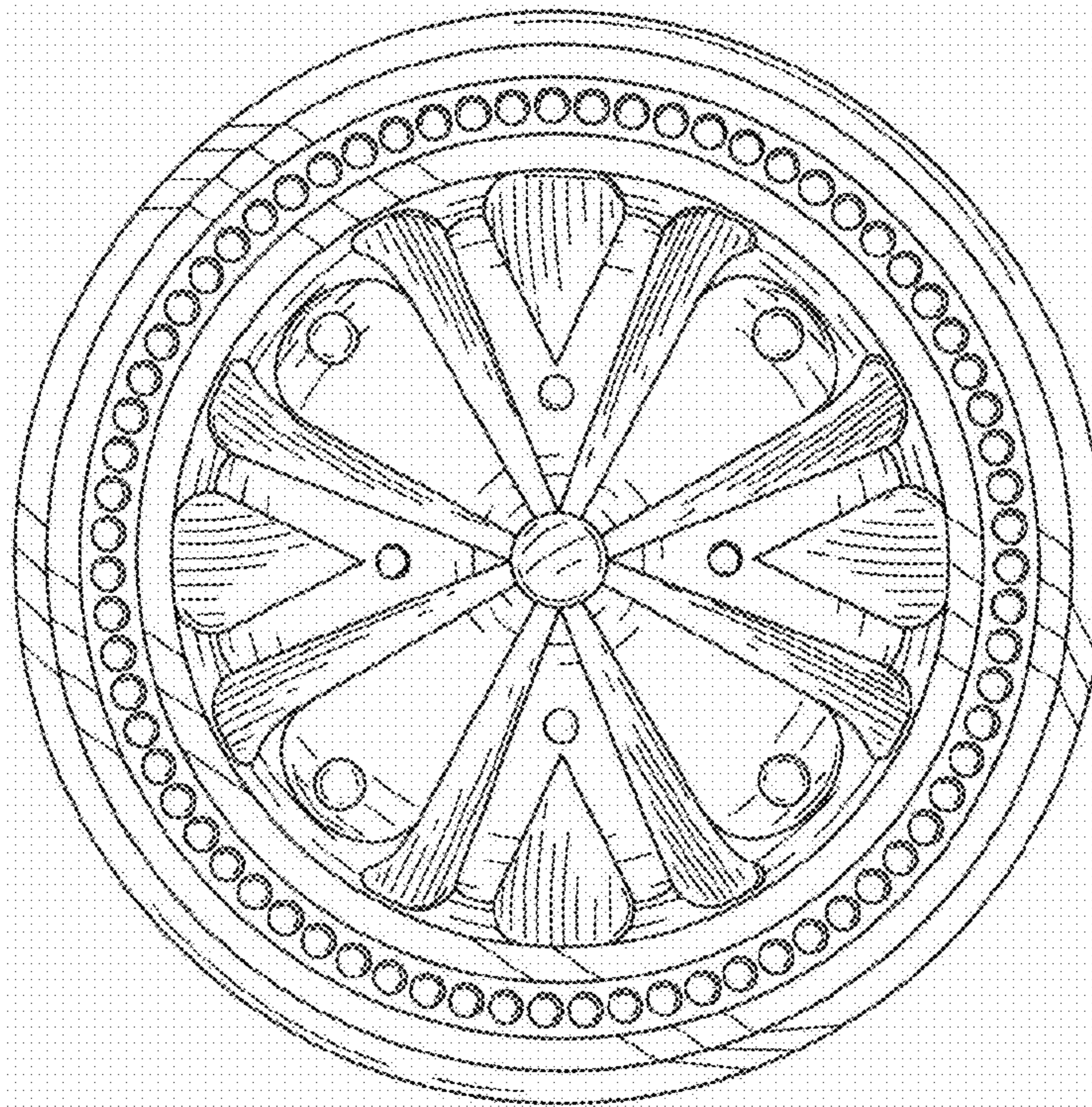


Fig-2

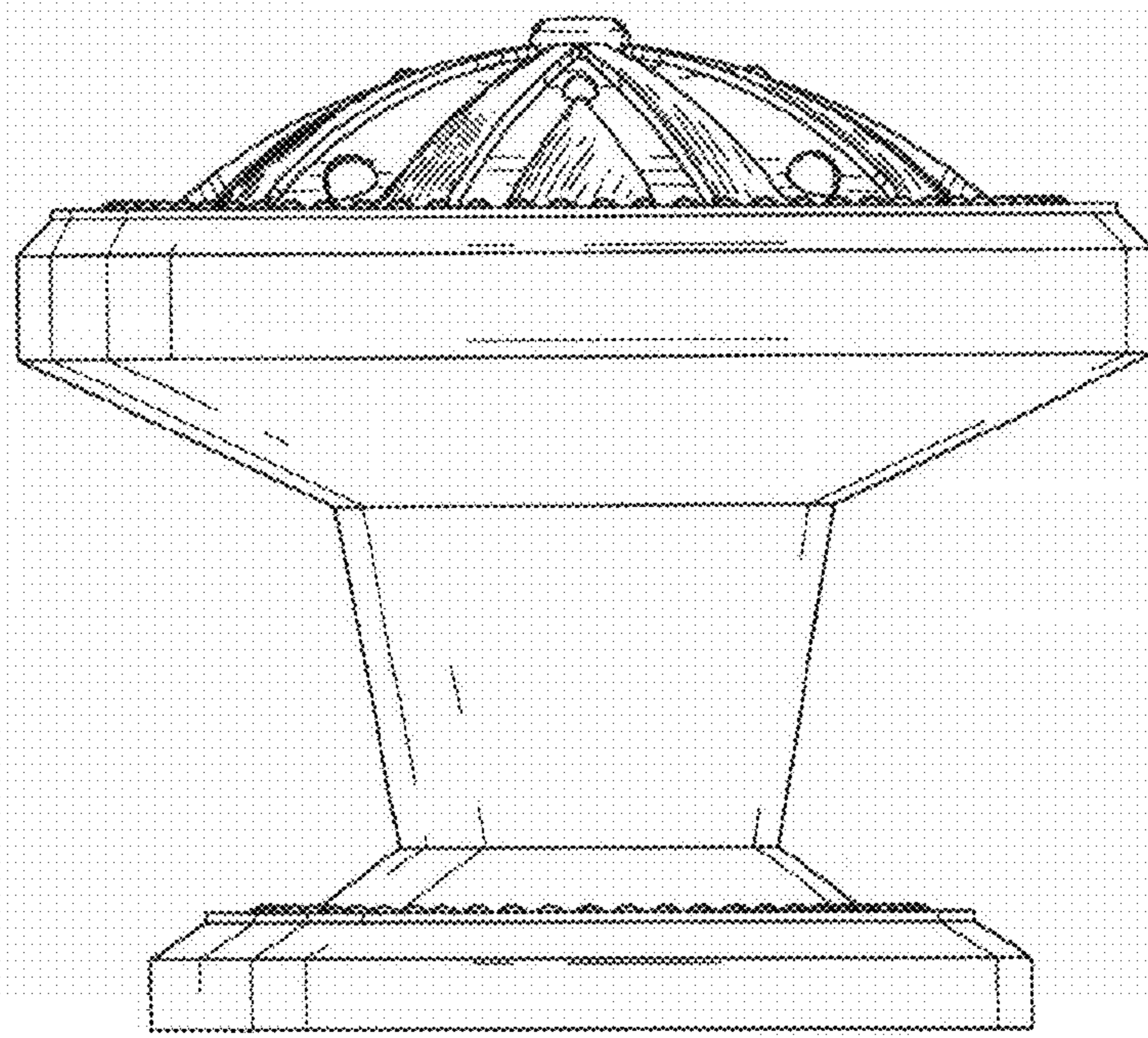


Fig-3

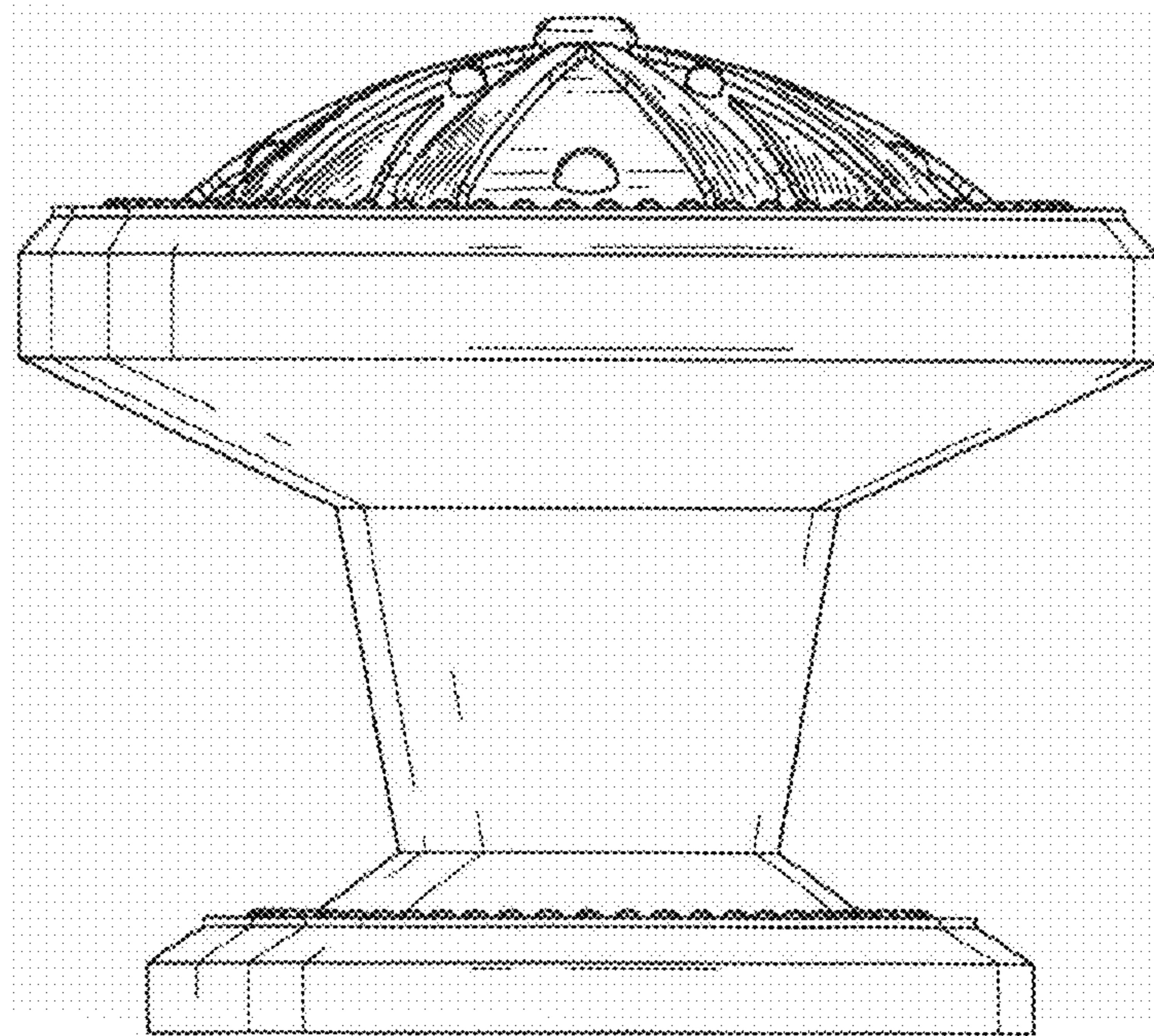


Fig-4