



US00D604585S

(12) **United States Design Patent**
Veltz et al.

(10) **Patent No.:** **US D604,585 S**

(45) **Date of Patent:** **** Nov. 24, 2009**

(54) **DOOR PUSH BAR**

(75) Inventors: **Jason Veltz**, Laguna Hills, CA (US);
Kim James, Newport Beach, CA (US);
Marcus Meyer, Mission Viejo, CA (US)

(73) Assignee: **Newfrey, LLC**, Newark, DE (US)

(**) Term: **14 Years**

(21) Appl. No.: **29/293,787**

(22) Filed: **Dec. 12, 2007**

(51) **LOC (9) Cl.** **08-06**

(52) **U.S. Cl.** **D8/302**

(58) **Field of Classification Search** D8/300,
D8/302, 315, 316, 319, 320, 321, 404; 70/92,
70/450, 451, 466; 292/21, 92, 93, 140, 166,
292/168, 169, 227; 16/11 R, 121, 1, DIG. 5
See application file for complete search history.

(56) **References Cited**

U.S. PATENT DOCUMENTS

1,928,149	A	9/1933	De Wees	
3,614,145	A *	10/1971	Zawadzki	292/92
4,167,280	A *	9/1979	Godec et al.	292/92
D268,003	S *	2/1983	Ohno	D8/302
D297,806	S *	9/1988	Mohn	D6/302
4,961,330	A *	10/1990	Evans	70/21
D318,410	S *	7/1991	Mohn	D6/302
D331,182	S *	11/1992	Hsien	D8/302
5,412,961	A *	5/1995	Cain et al.	70/92
5,429,399	A	7/1995	Geringer et al.	

6,009,732	A *	1/2000	Haeck et al.	70/92
6,205,825	B1 *	3/2001	Haeck et al.	70/92
6,820,905	B1 *	11/2004	Haeck et al.	292/93
D578,860	S *	10/2008	James et al.	D8/302

FOREIGN PATENT DOCUMENTS

WO	WO2001/03093	1/2001
WO	WO2005/073489	8/2005

* cited by examiner

Primary Examiner—Cathron C Brooks

Assistant Examiner—Barbara Fox

(74) *Attorney, Agent, or Firm*—Ober/Kaler; Royal W. Craig

(57) **CLAIM**

The ornamental design for a door push bar, as shown.

DESCRIPTION

FIG. 1 is a front perspective view of a door push bar according to our new design.

FIG. 2 is a front view of the door push bar as in FIG. 1.

FIG. 3 is a bottom side view of the door push bar as in FIG. 2.

FIG. 4 is a back view of the door push bar as in FIG. 1.

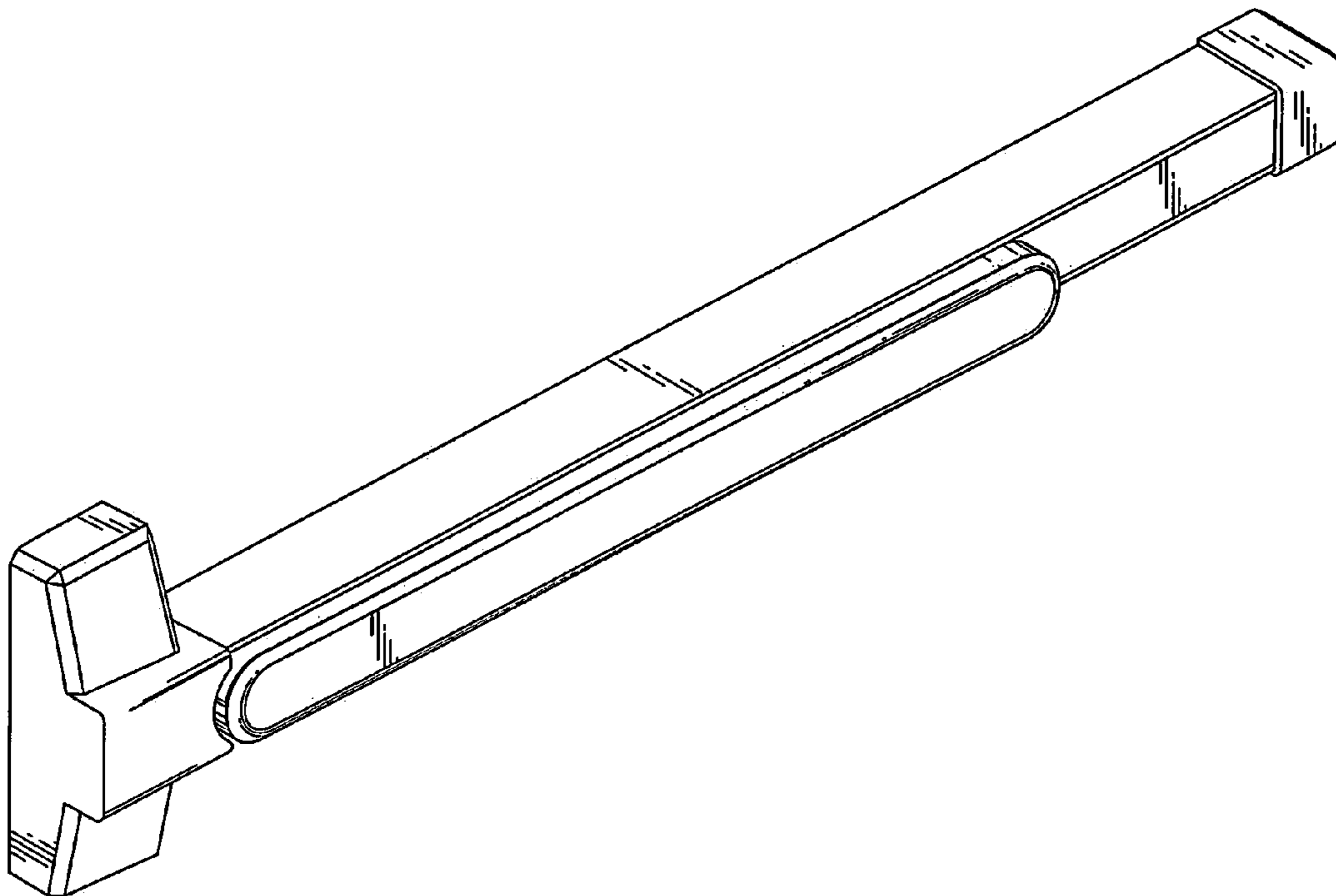
FIG. 5 is a top side view of the door push bar as in FIG. 2.

FIG. 6 is a right end view of the door push bar as in FIG. 1; and,

FIG. 7 is a left end view of the door push bar as in FIG. 1.

The design of the present invention and as shown in FIGS. 1–7 is an ornamental door push bar.

1 Claim, 4 Drawing Sheets



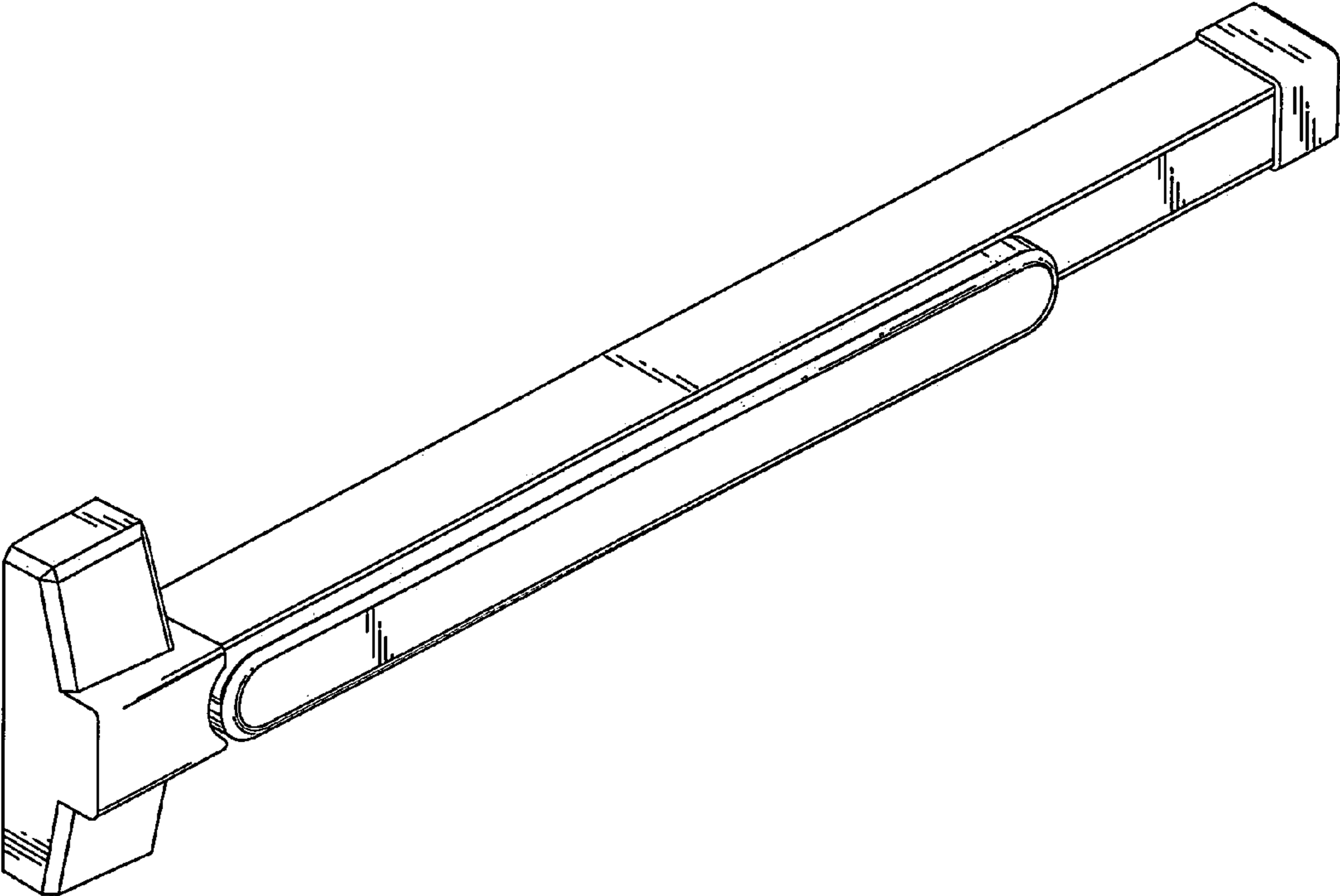


Fig. 1



Fig. 2

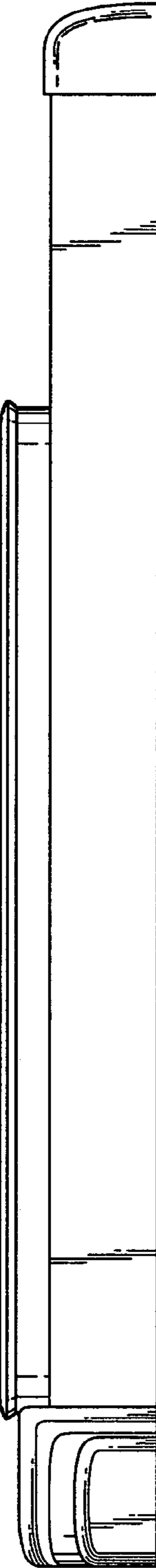


Fig. 3

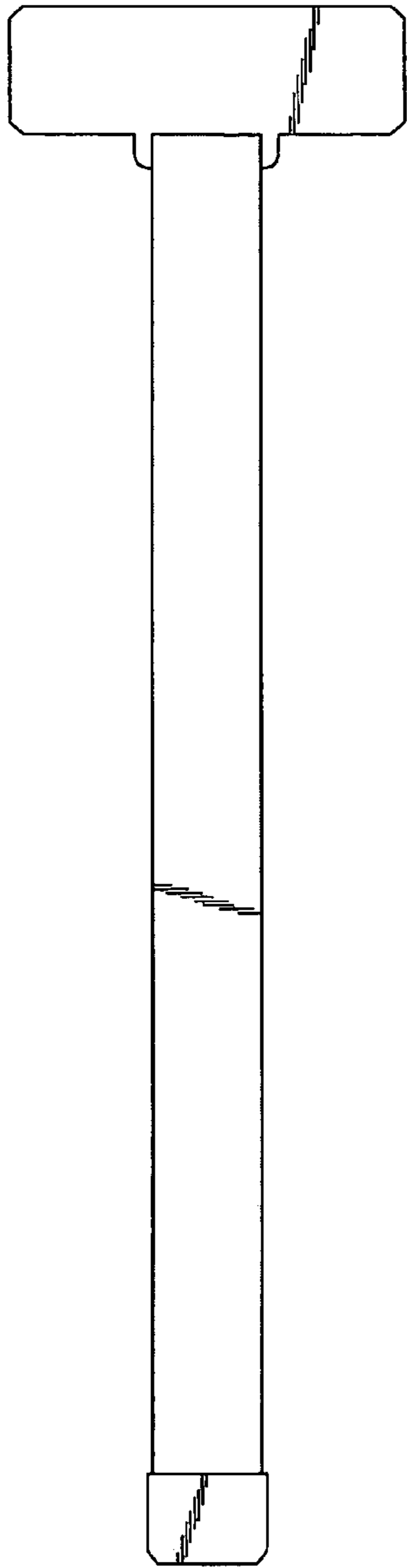


Fig. 4

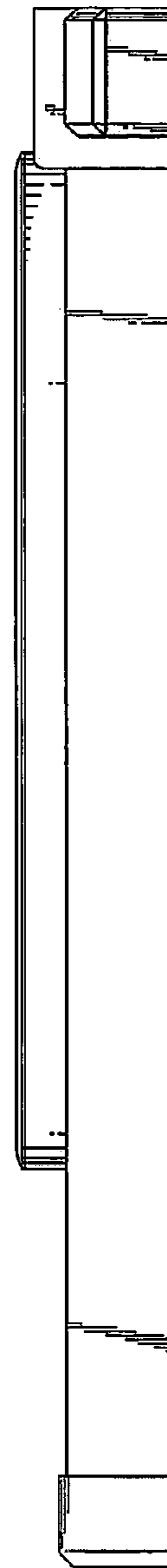


Fig. 5

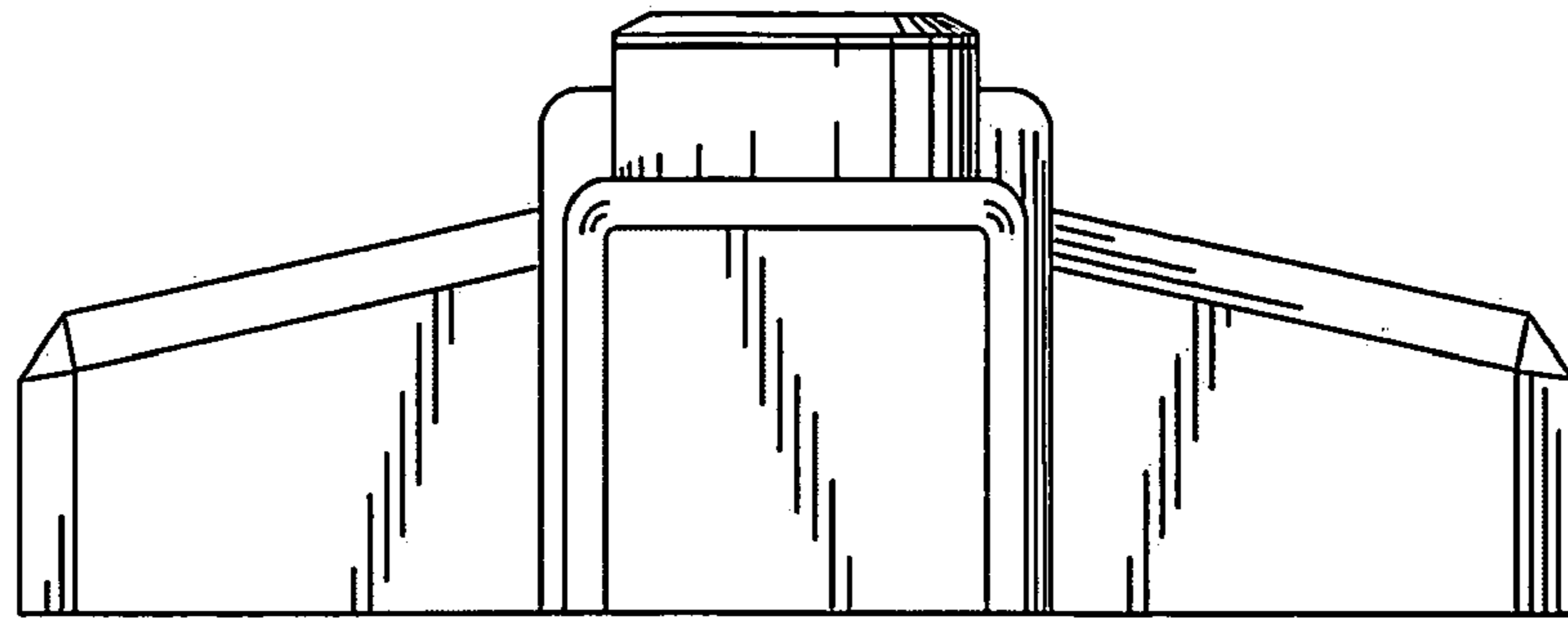


Fig. 6

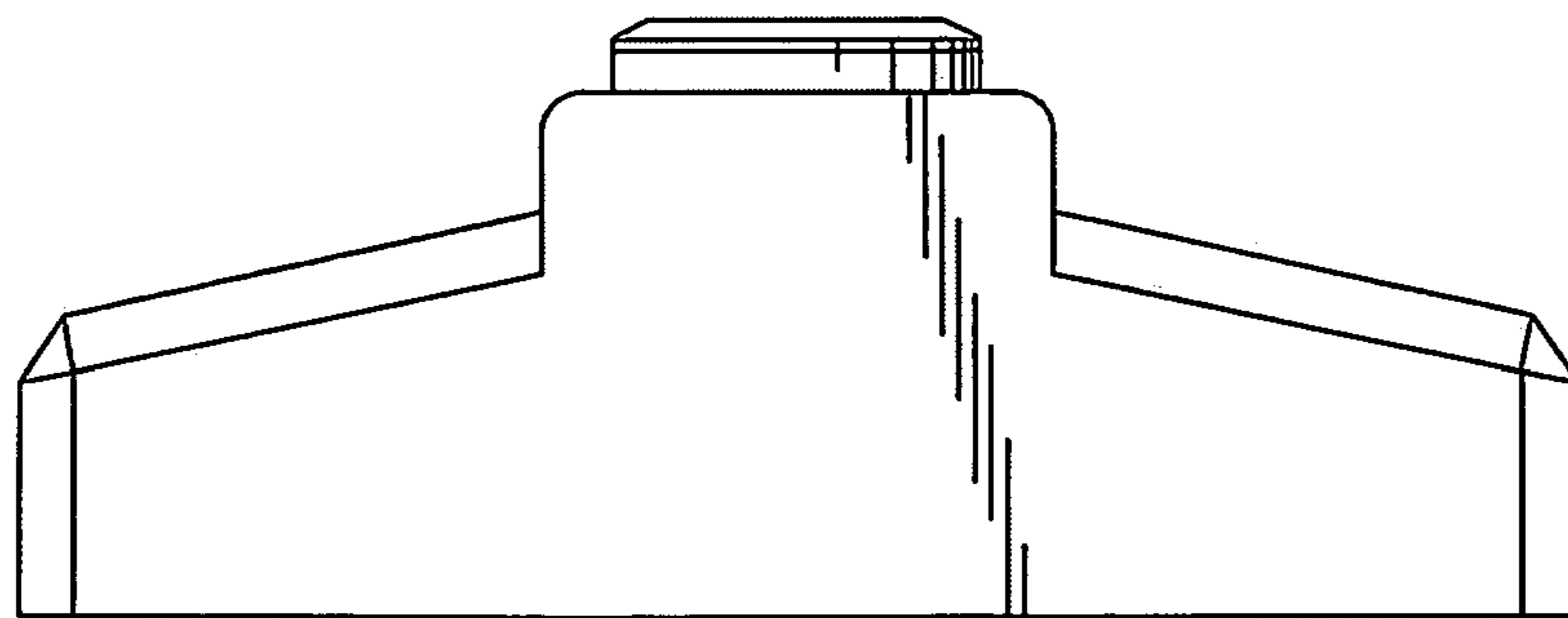


Fig. 7