



US00D604584S

(12) **United States Design Patent**  
**Gao**

(10) **Patent No.:** **US D604,584 S**

(45) **Date of Patent:** **\*\* Nov. 24, 2009**

(54) **SUPPORT FOR A ROD CUTTER**

(75) Inventor: **Hua Gao**, Fox Point, WI (US)

(73) Assignee: **Bradshaw Medical, Inc.**, Kenosha, WI (US)

(\*\*) Term: **14 Years**

(21) Appl. No.: **29/313,498**

(22) Filed: **Jan. 13, 2009**

(51) **LOC (9) Cl.** ..... **08-05**

(52) **U.S. Cl.** ..... **D8/71**

(58) **Field of Classification Search** ..... D8/71;  
30/296.1, 297, 298; 83/199, 662, 633, 634,  
83/635, 856

See application file for complete search history.

(56) **References Cited**

**U.S. PATENT DOCUMENTS**

5,261,303	A *	11/1993	Strippgen	.....	83/199
5,988,027	A *	11/1999	Lenox	.....	83/13
6,058,820	A *	5/2000	Rinner	.....	83/200

\* cited by examiner

*Primary Examiner*—Antoine D Davis

(74) *Attorney, Agent, or Firm*—Arthur J. Hansmann

(57) **CLAIM**

The ornamental design for a support for a rod cutter, as shown and described.

**DESCRIPTION**

FIG. 1 is a rear perspective view of a support for a rod cutter showing my new design;

FIG. 2 is an enlarged rear perspective view thereof;

FIG. 3 is a rear elevation view thereof;

FIG. 4 is a front elevation view thereof;

FIG. 5 is a top plan view thereof;

FIG. 6 is a bottom plan view thereof;

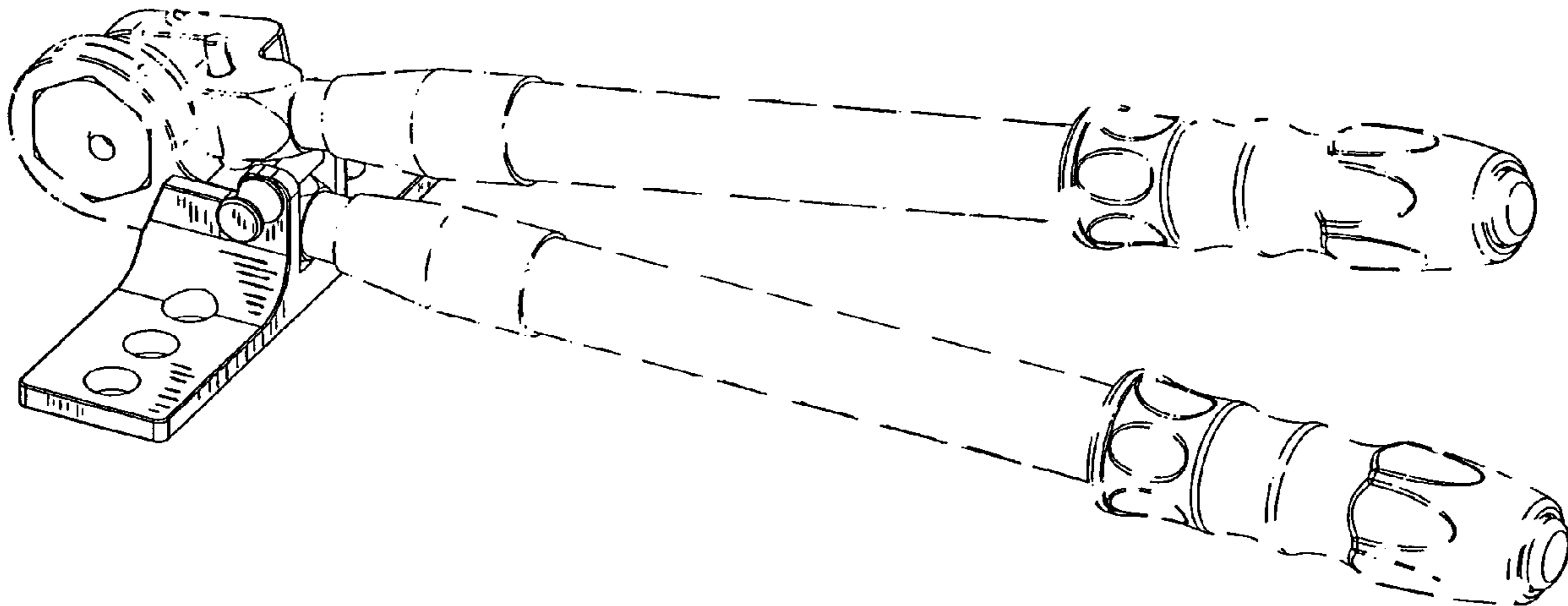
FIG. 7 is an enlarged left side elevation view thereof;

FIG. 8 is an enlarged right side elevation view thereof; and,

FIG. 9 is an enlarged section view taken on a plane designated by the line 9—9 on FIG. 5.

The broken line showing of the support for a rod cutter is for illustrative purposes only and forms no part of the claimed design.

**1 Claim, 3 Drawing Sheets**



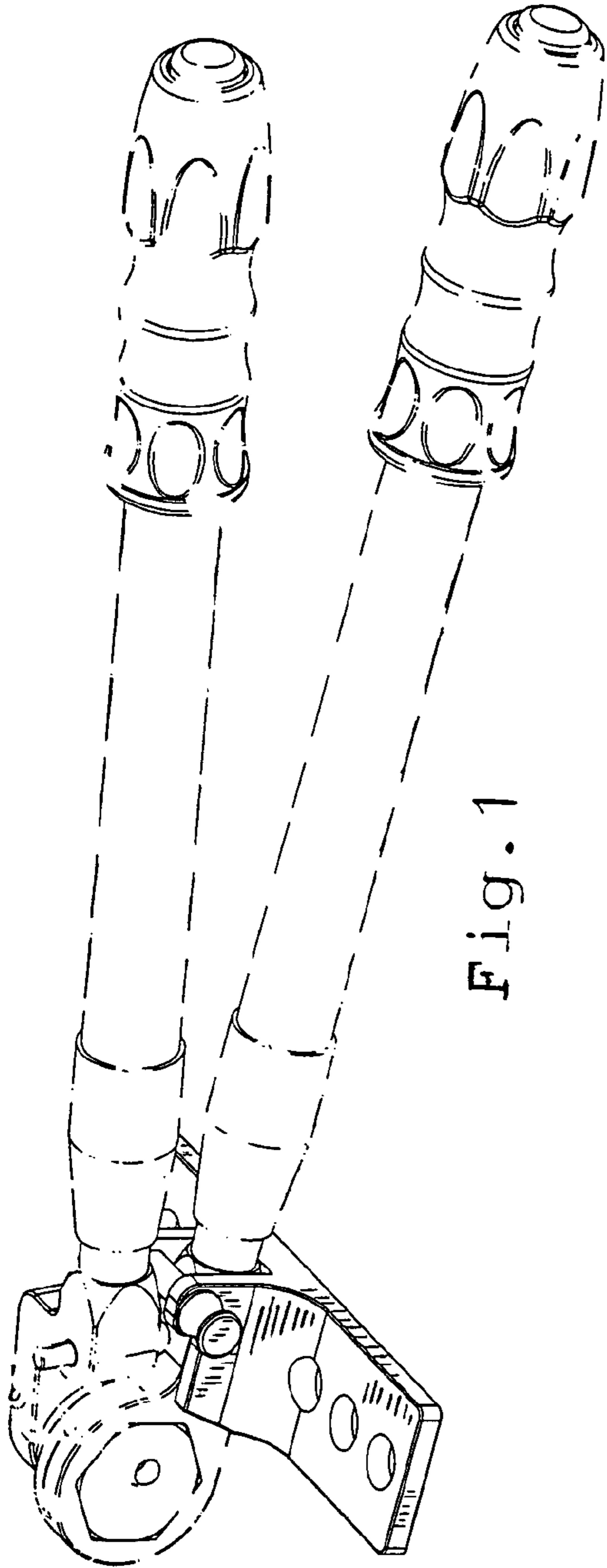


Fig. 1

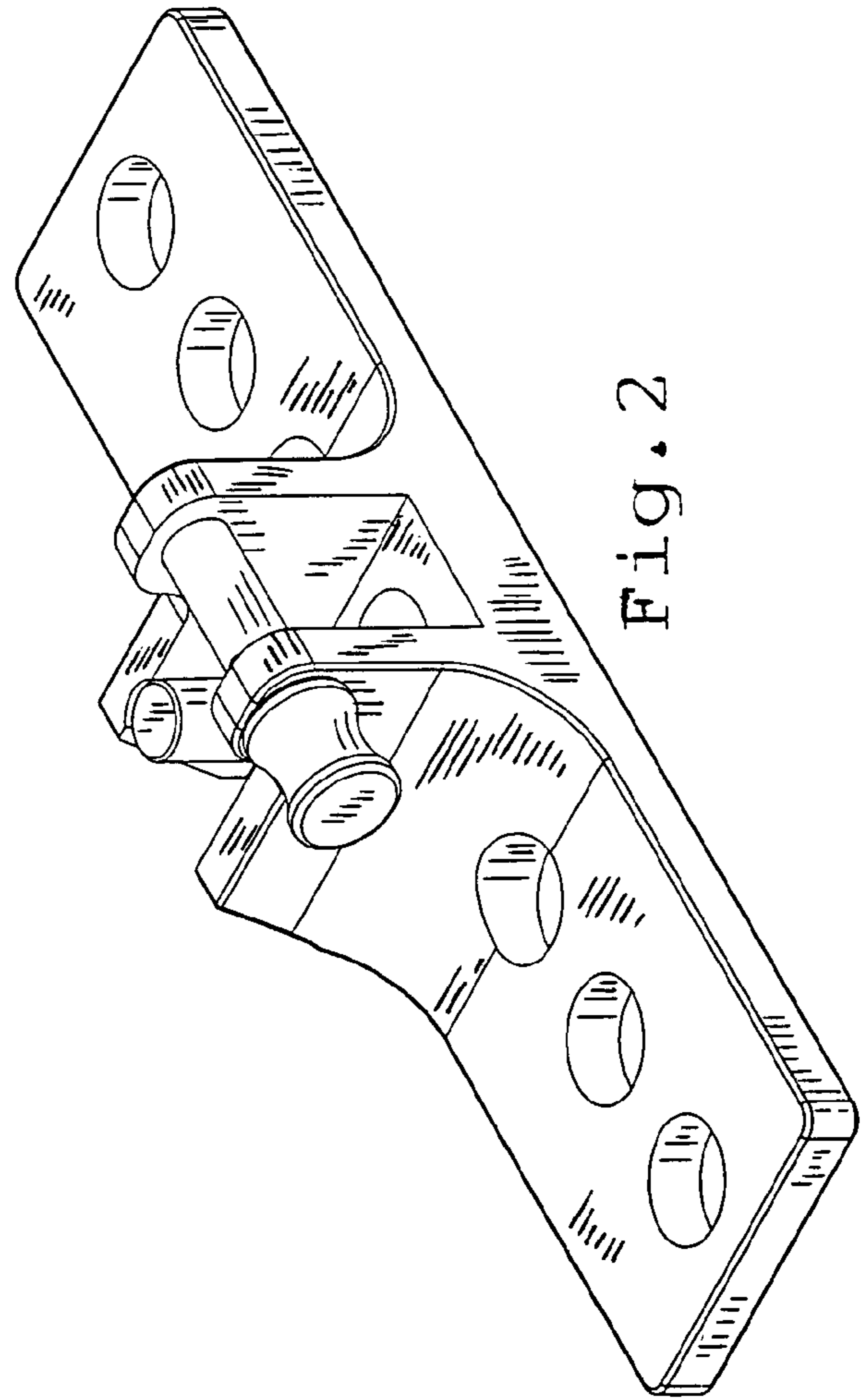


Fig. 2

Fig. 3

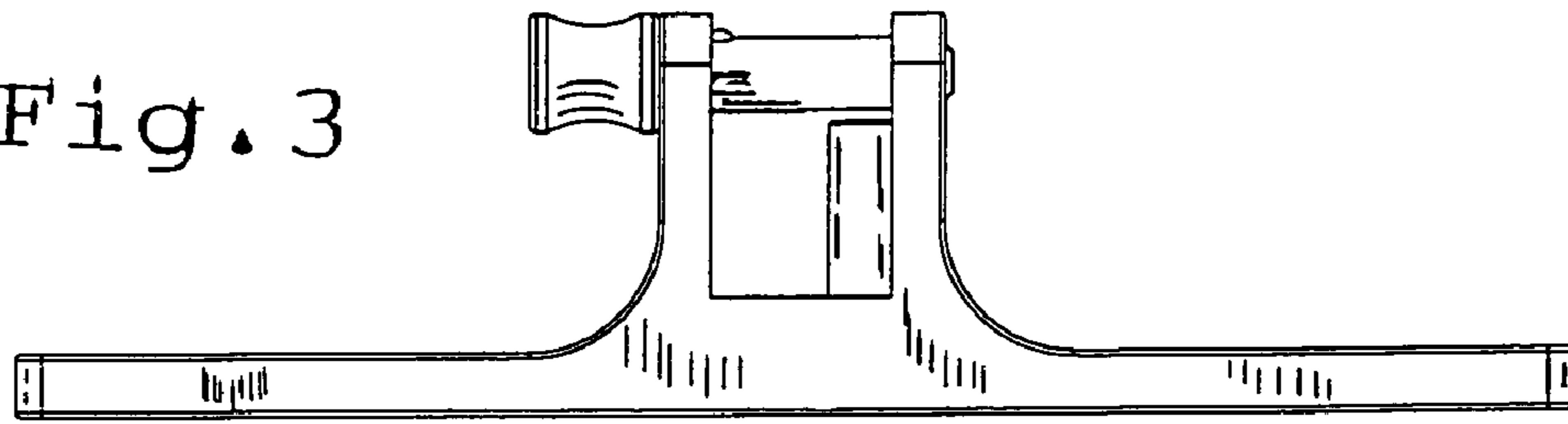


Fig. 5

Fig. 6

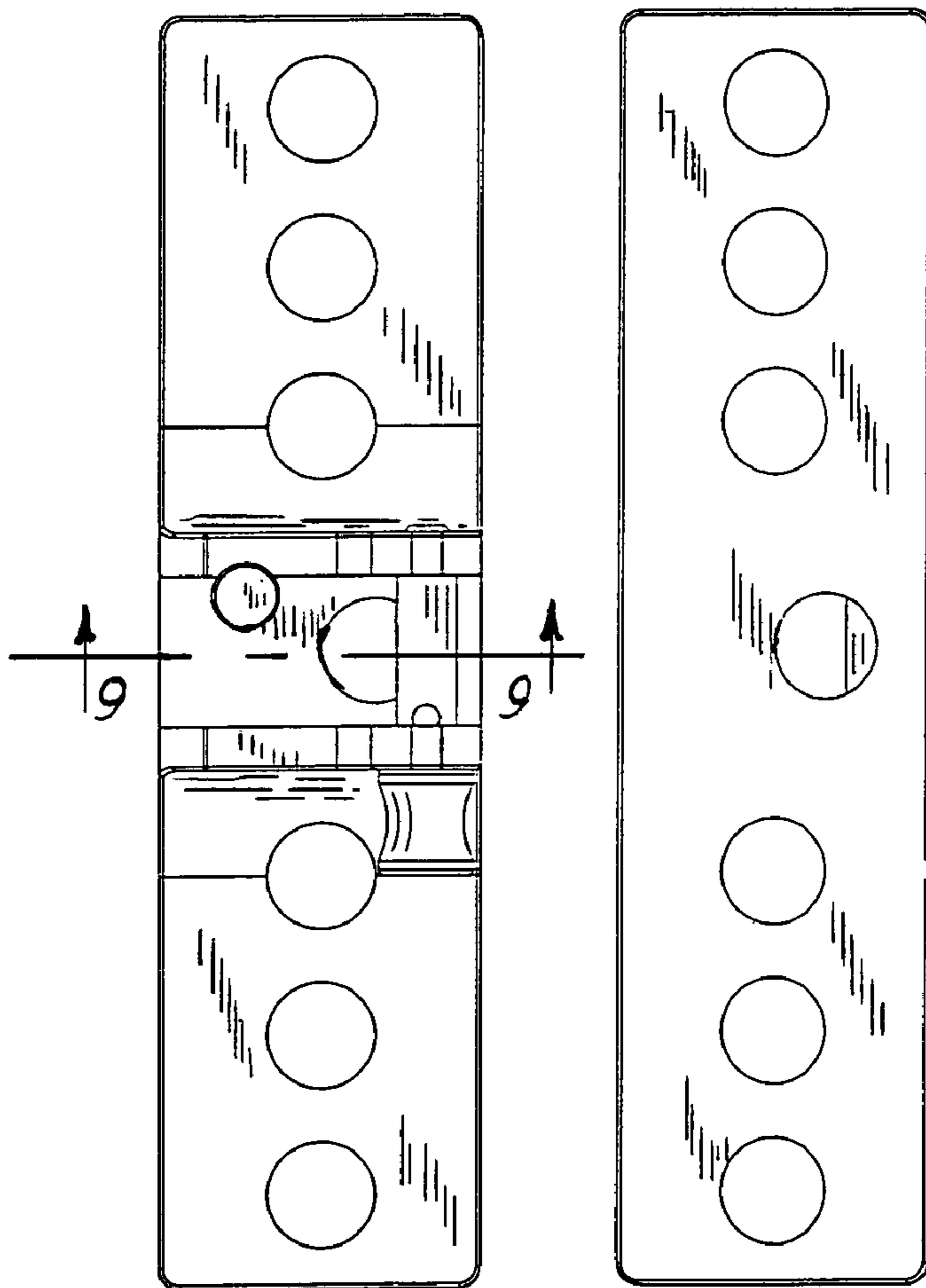
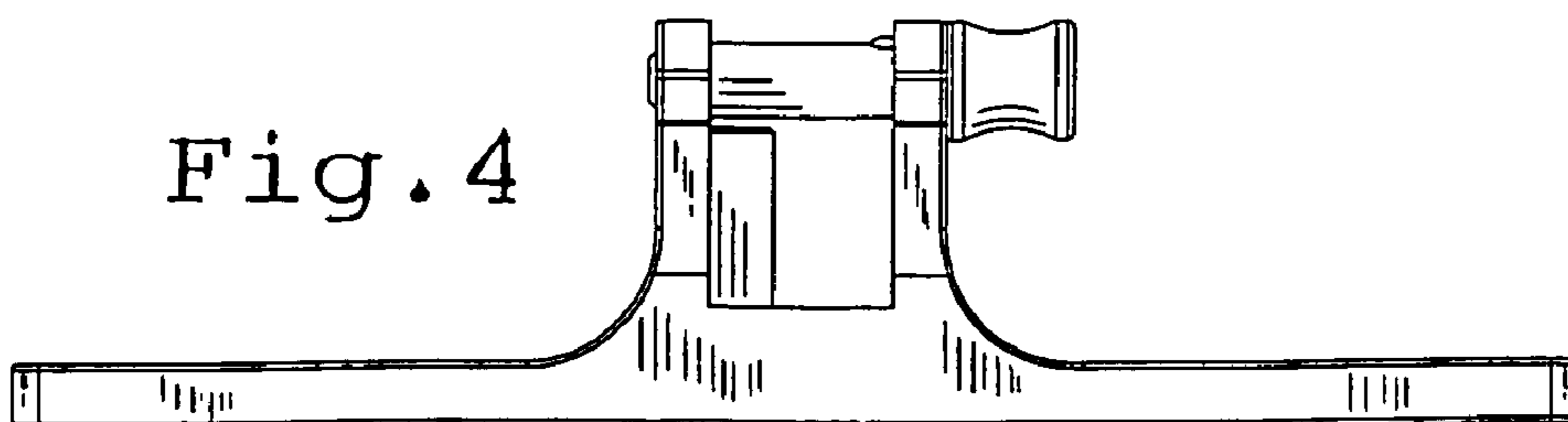


Fig. 4



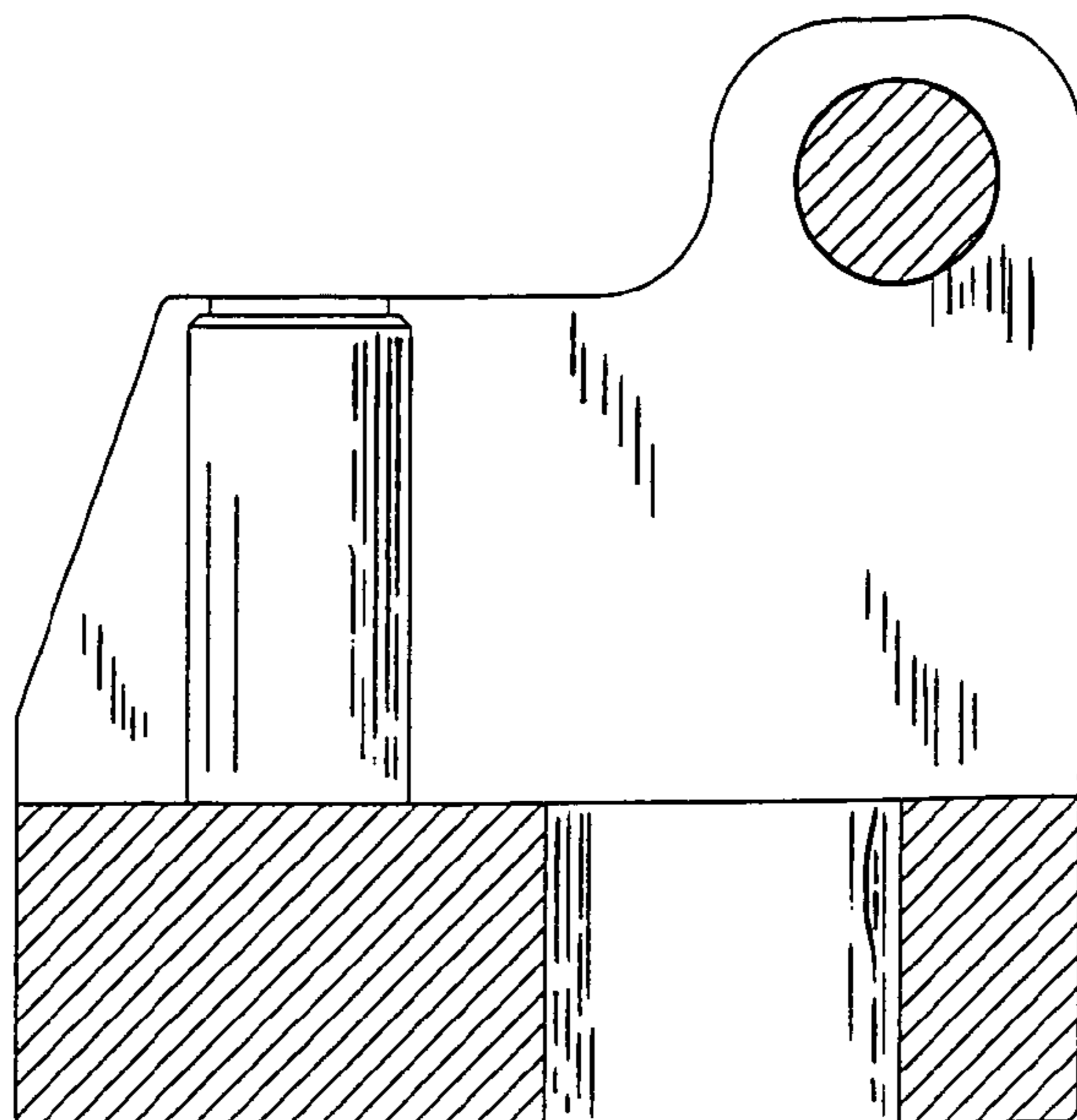


Fig. 9

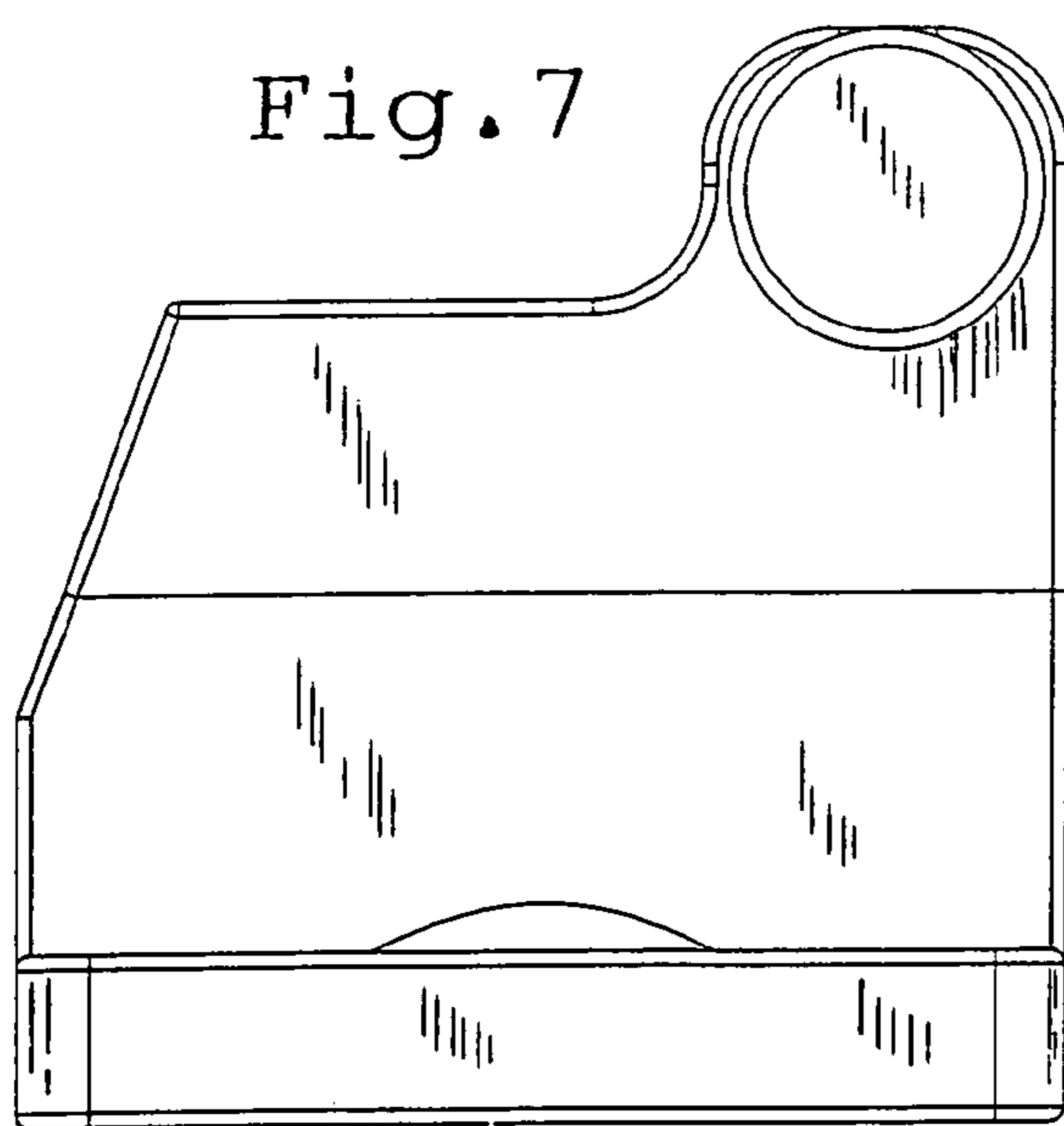


Fig. 7

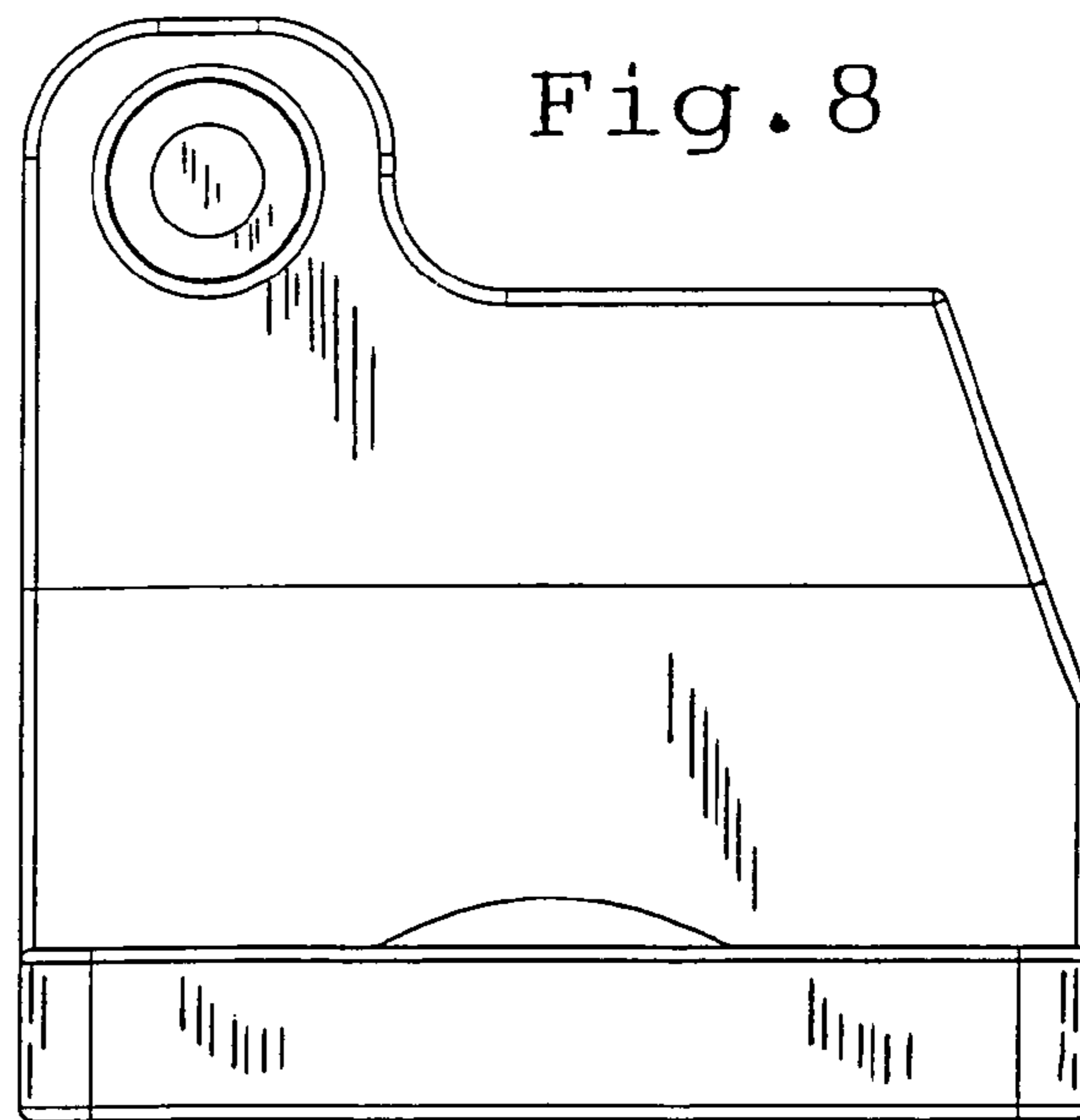


Fig. 8