



US00D604583S

(12) **United States Design Patent**  
**Yamamoto et al.**

(10) **Patent No.:** **US D604,583 S**

(45) **Date of Patent:** **\*\* Nov. 24, 2009**

(54) **PORTABLE ELECTRIC HAMMER DRILL**

D528,393 S \* 9/2006 Stirm ..... D8/69  
D543,082 S \* 5/2007 Stirm ..... D8/69  
D592,028 S \* 5/2009 Taniguchi et al. .... D8/69

(75) Inventors: **Yuji Yamamoto**, Anjo (JP); **Yoshihiro Kasuya**, Anjo (JP); **Masanori Furusawa**, Anjo (JP)

**FOREIGN PATENT DOCUMENTS**

(73) Assignee: **Makita Corporation**, Anjo (JP)

JP S-1091614 9/2000  
JP S-1092227 9/2000

(\*\*) Term: **14 Years**

\* cited by examiner

(21) Appl. No.: **29/323,743**

*Primary Examiner*—Antoine D Davis

(22) Filed: **Aug. 29, 2008**

(74) *Attorney, Agent, or Firm*—Olliff & Berridge, PLC

(30) **Foreign Application Priority Data**

(57) **CLAIM**

Mar. 10, 2008 (JP) ..... 2008-005754

The ornamental design for a portable electric hammer drill, as shown and described.

(51) **LOC (9) Cl.** ..... **08-01**

**DESCRIPTION**

(52) **U.S. Cl.** ..... **D8/69**

(58) **Field of Classification Search** ..... D8/61-70;  
81/57.11, 429, 454-456, 469, 489; 173/13,  
173/104, 114, 167-173, 178, 201, 211, 213,  
173/217, 198; 227/8, 113, 114, 120, 130,  
227/136, 142; 310/50; 408/20, 124, 125,  
408/234, 241 R, 58, 67; 451/358

FIG. 1 is a perspective view of top, front and left side of a portable electric hammer drill showing our new design;

FIG. 2 is a front view thereof;

FIG. 3 is a rear view thereof;

FIG. 4 is a top plan view thereof;

FIG. 5 is a bottom view thereof;

FIG. 6 is a left side view thereof; and,

FIG. 7 is a right side view thereof.

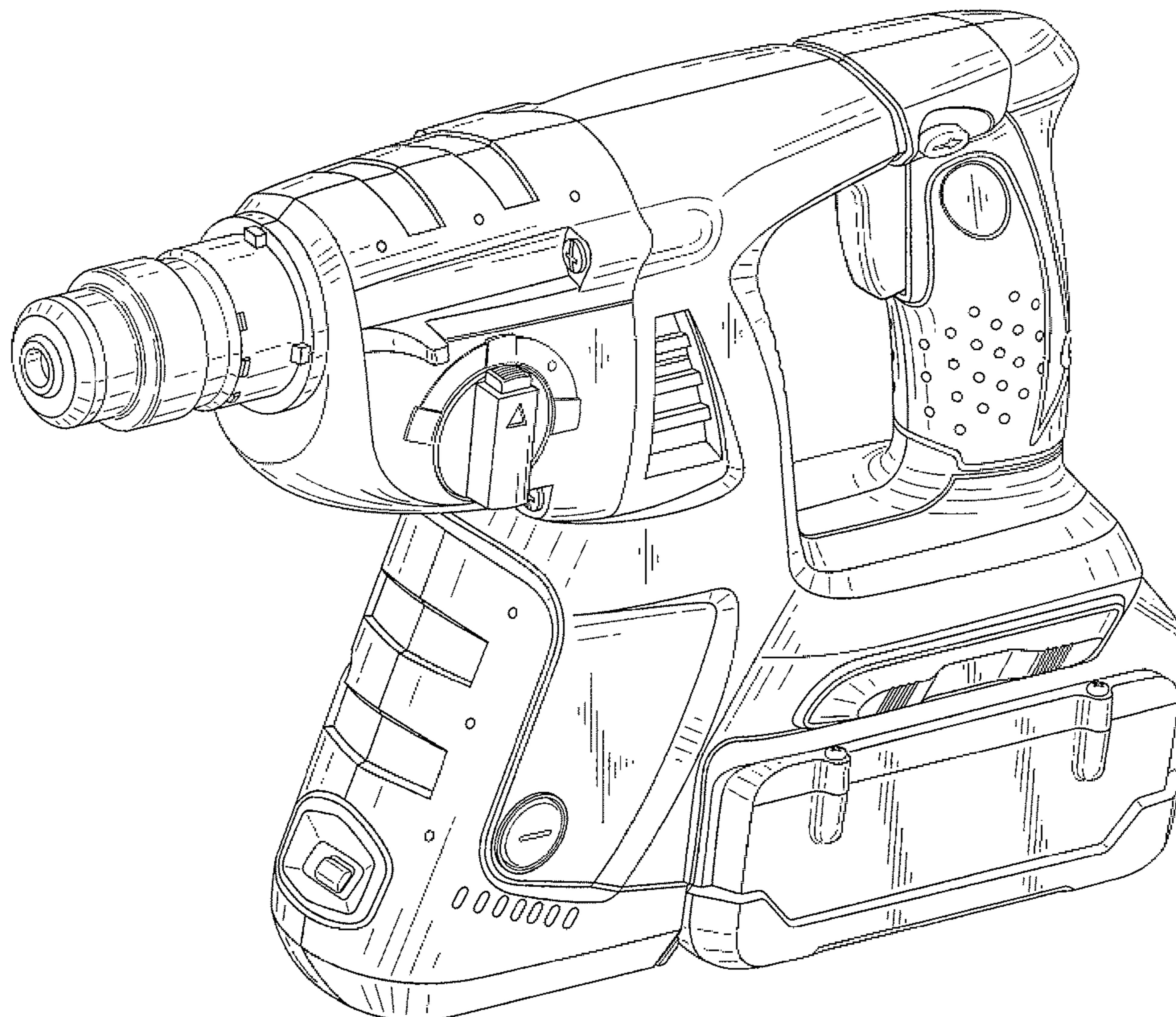
See application file for complete search history.

(56) **References Cited**

**U.S. PATENT DOCUMENTS**

6,971,456 B2 \* 12/2005 Yamada et al. .... 173/217

**1 Claim, 5 Drawing Sheets**



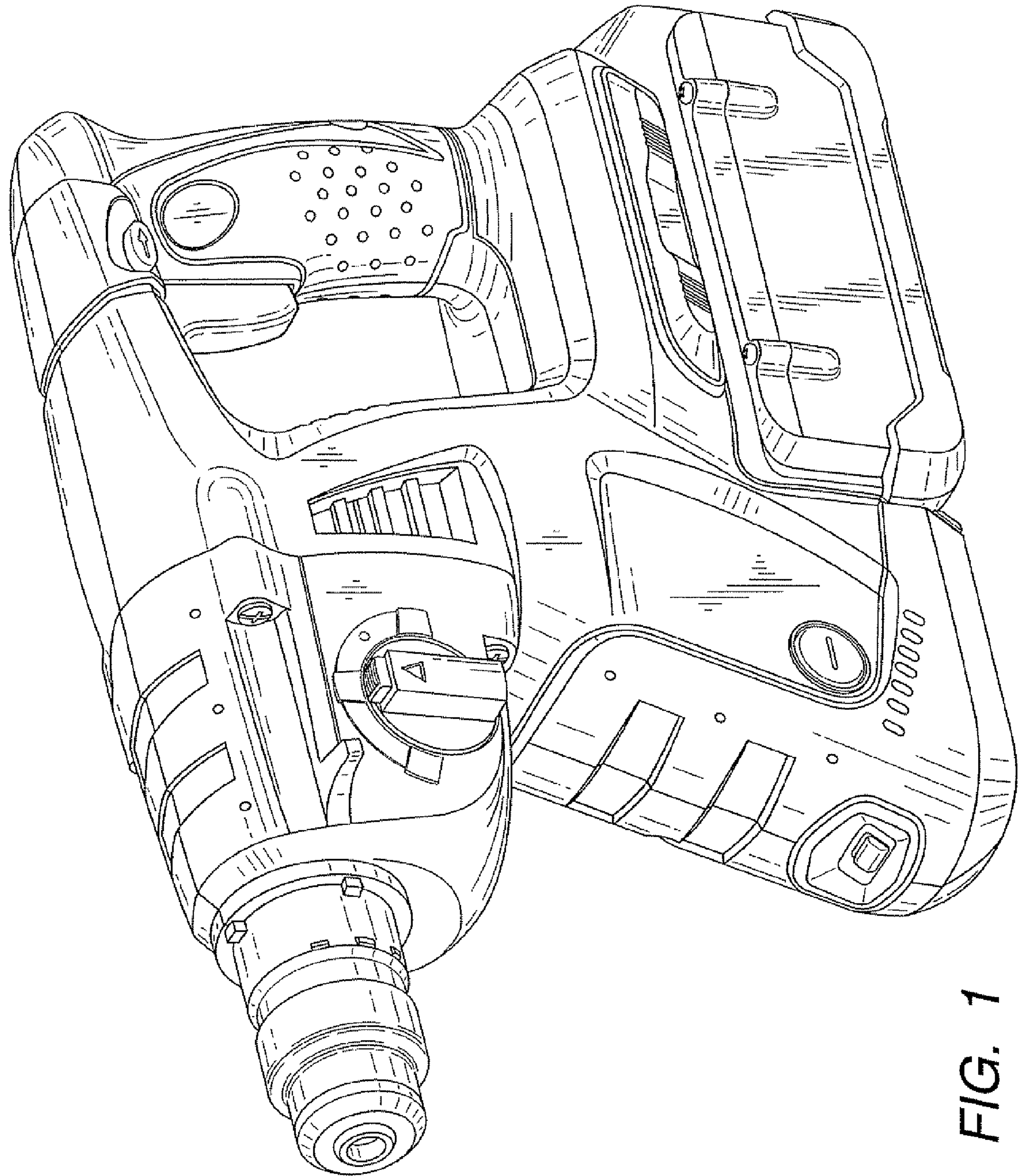


FIG. 1

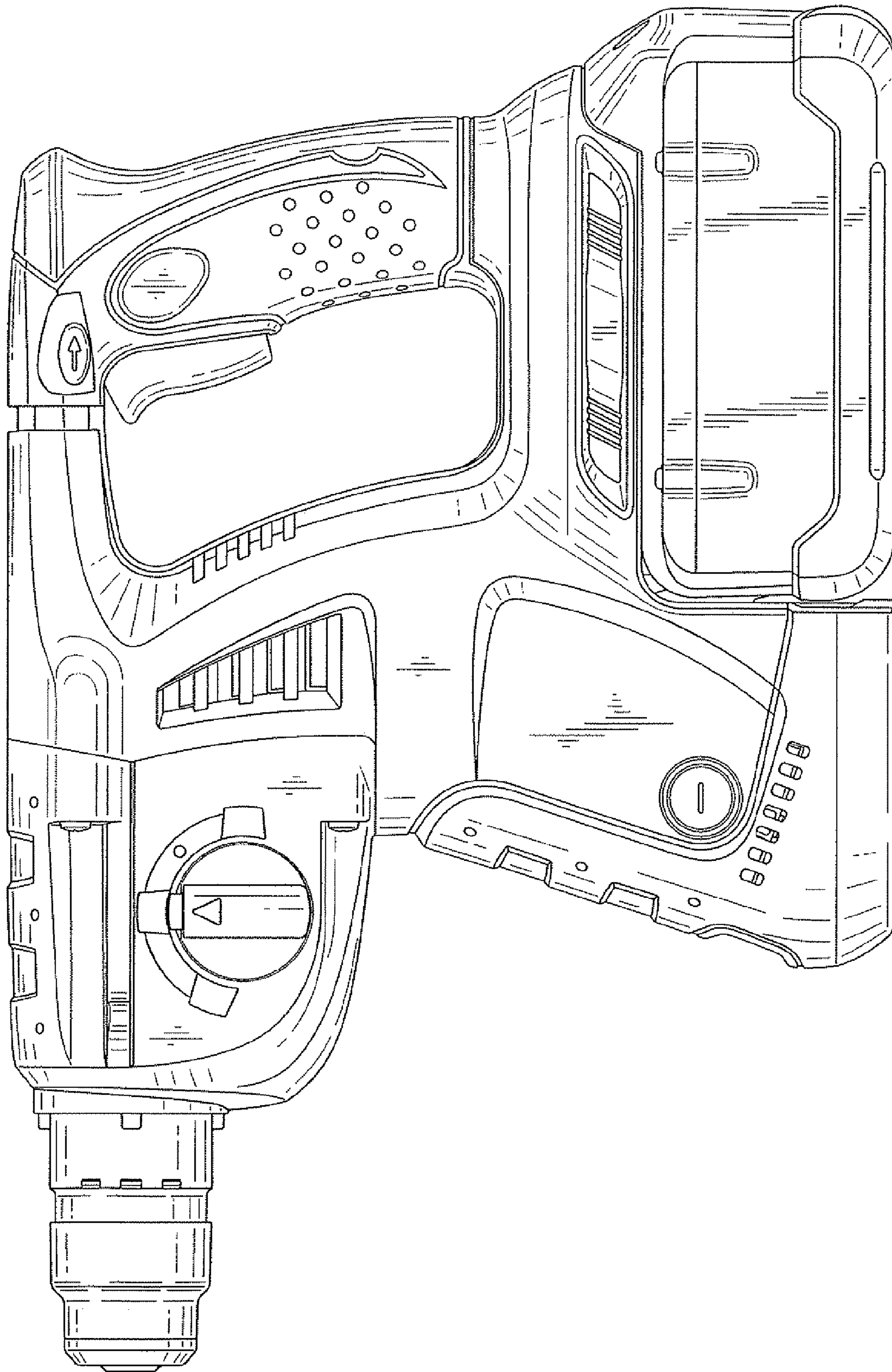


FIG. 2

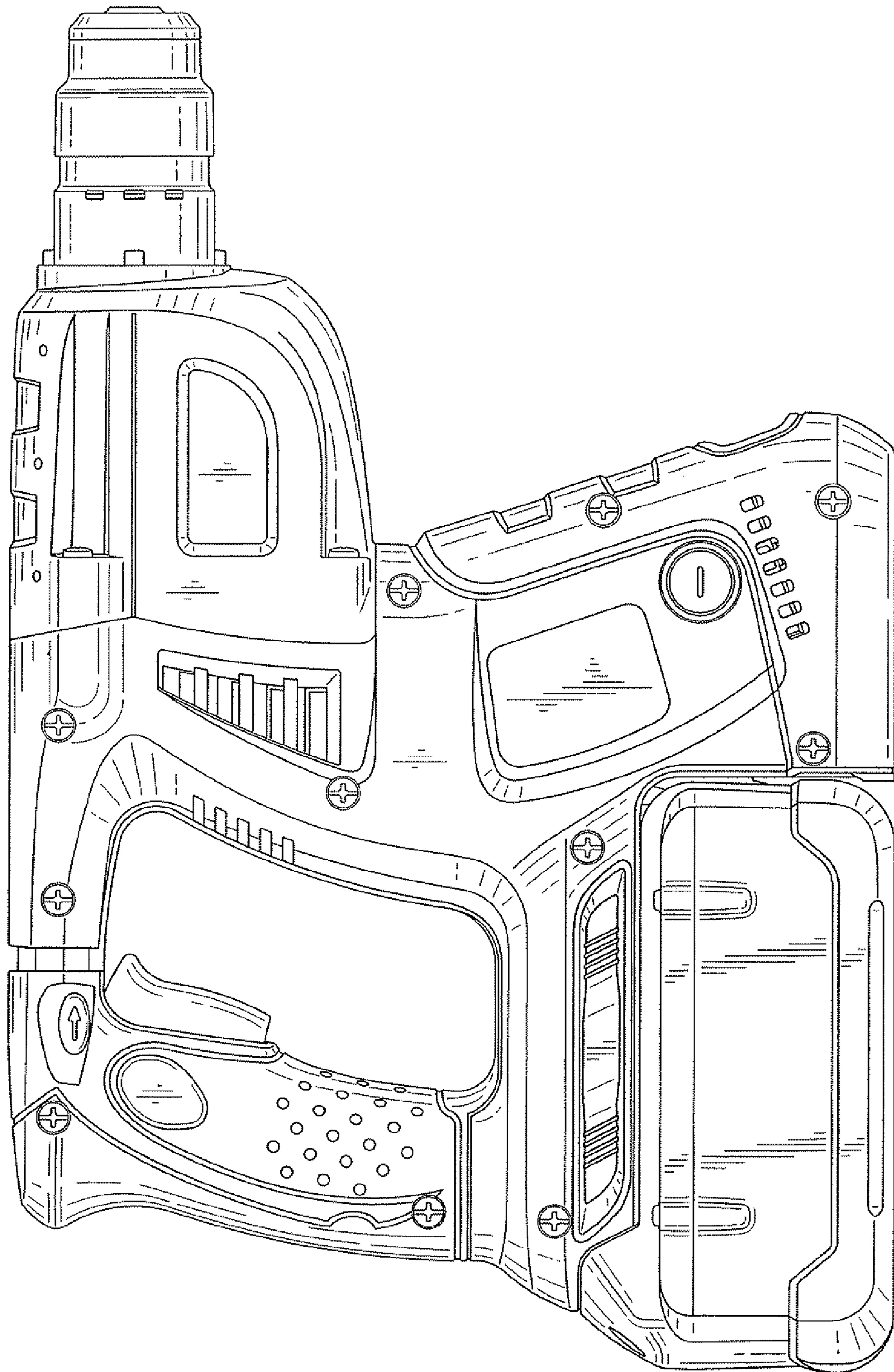


FIG. 3

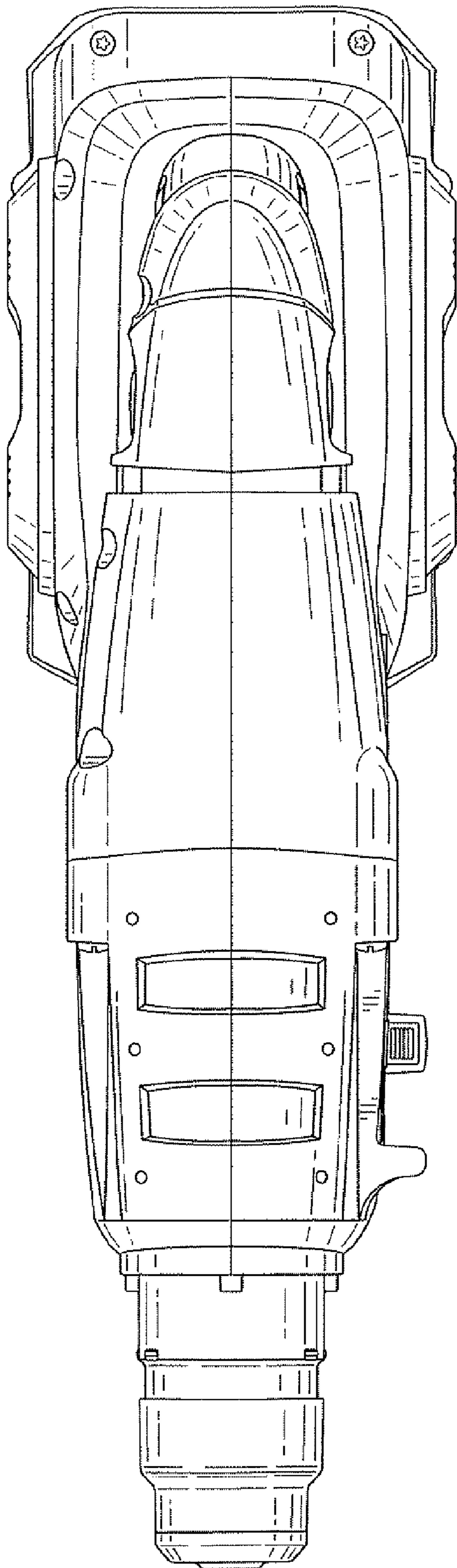


FIG. 4

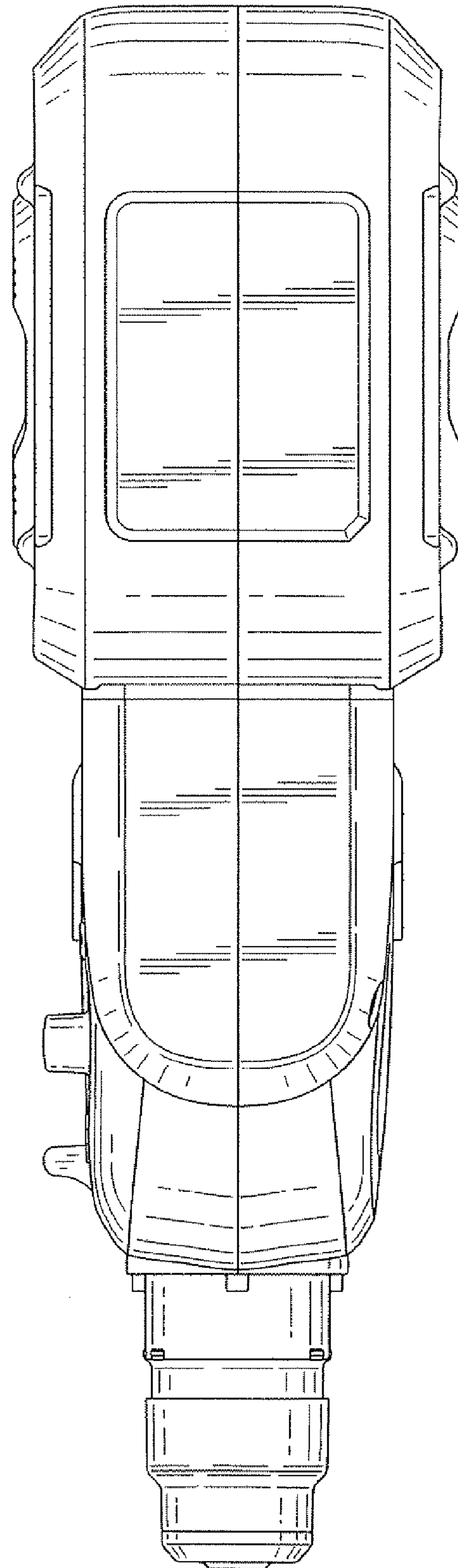
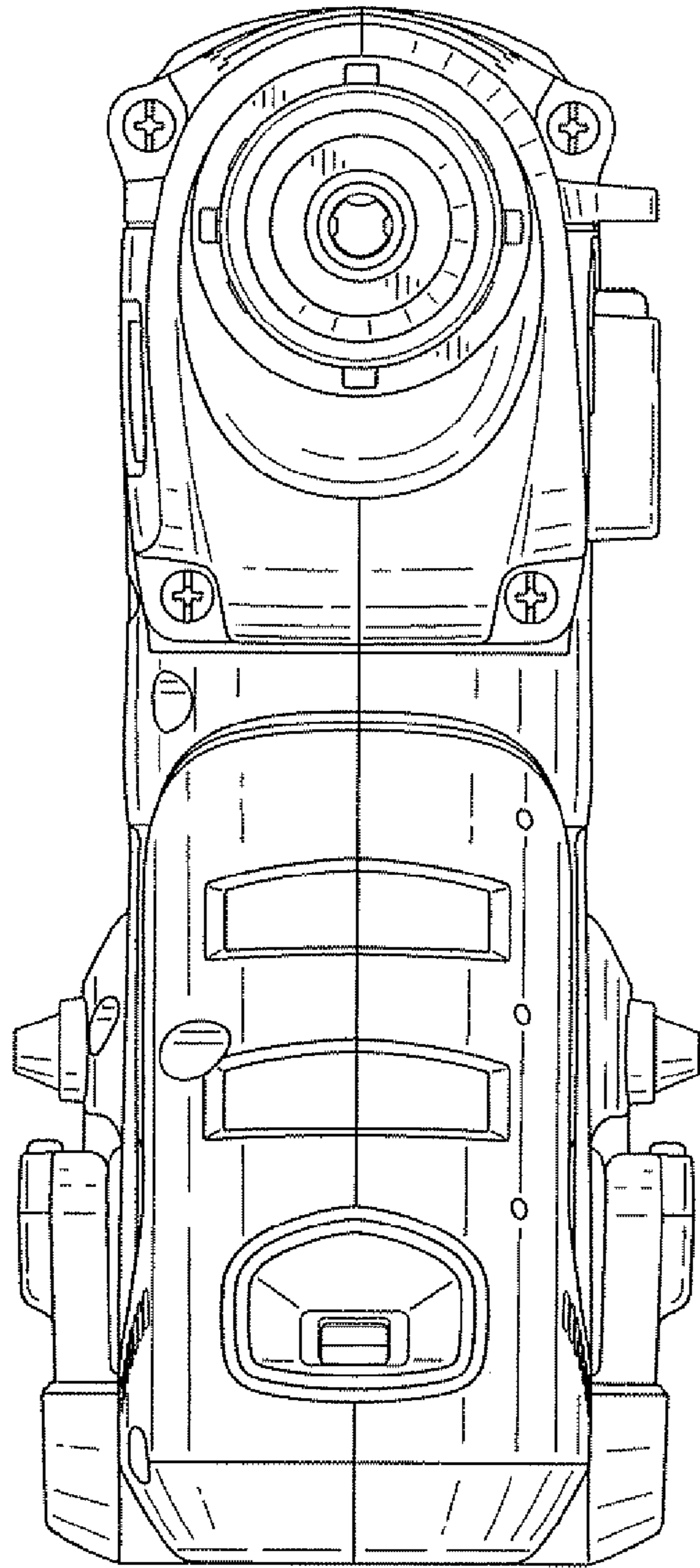
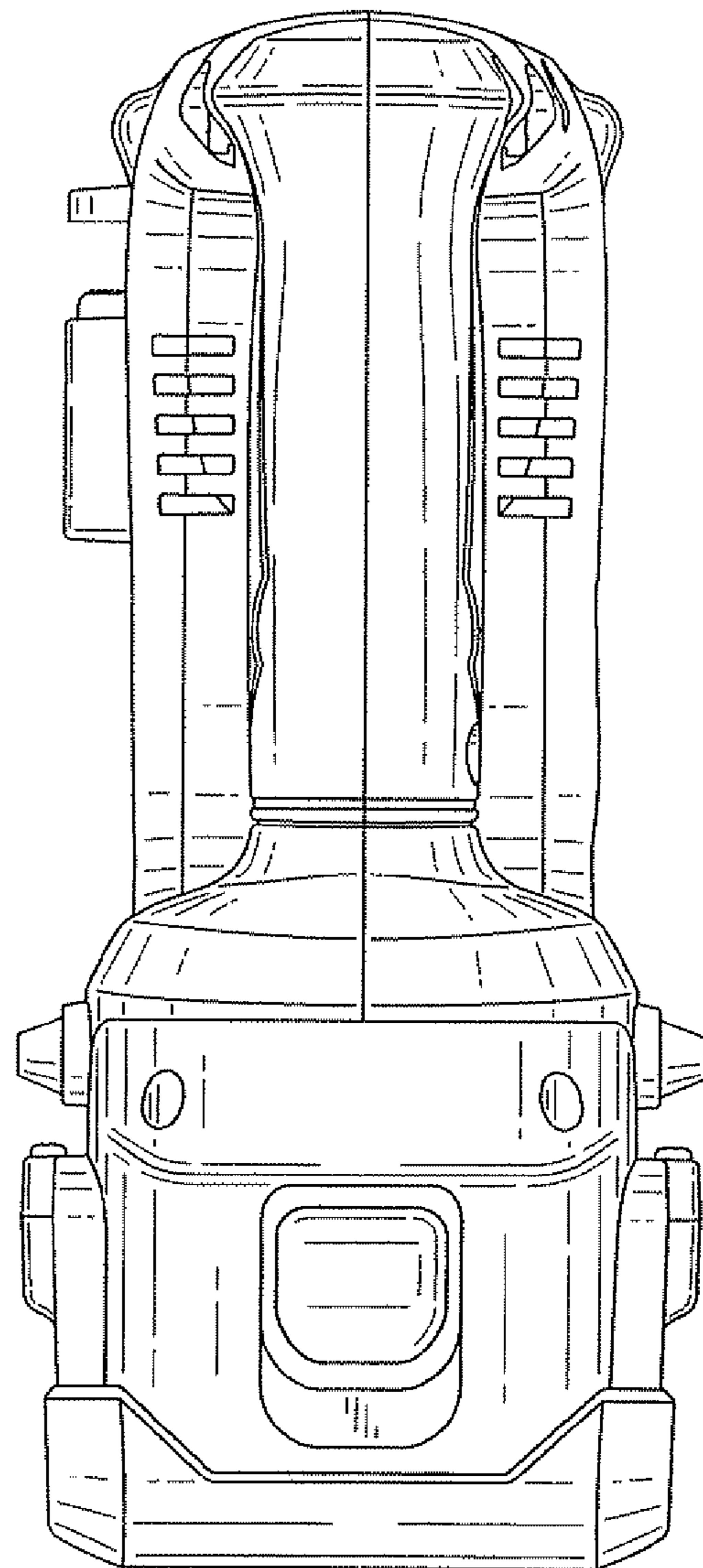


FIG. 5



*FIG. 6*



*FIG. 7*