



US00D604582S

(12) **United States Design Patent**
Chu

(10) **Patent No.:** **US D604,582 S**

(45) **Date of Patent:** **** Nov. 24, 2009**

(54) **PNEUMATIC SPANNER**

(76) Inventor: **Yi-Wei Chu**, 235 Chung - Ho Box 8-24,
Taipei (TW)

(**) Term: **14 Years**

(21) Appl. No.: **29/299,371**

(22) Filed: **Dec. 23, 2007**

(51) **LOC (9) Cl.** **08-01**

(52) **U.S. Cl.** **D8/68**

(58) **Field of Classification Search** D8/14.1,
D8/61-70; 81/57.11, 429, 454-456, 469,
81/489; 173/13, 104, 114, 168-171, 178,
173/201, 211, 213, 217; 408/20, 124, 125,
408/234, 241 R; 451/358; 310/50; 227/8,
227/13, 114, 120, 130, 136, 142

See application file for complete search history.

(56) **References Cited**

U.S. PATENT DOCUMENTS

D460,335 S * 7/2002 Morgan D8/68
D489,240 S * 5/2004 Bartfeld et al. D8/68
D497,529 S * 10/2004 Price D8/68

D519,807 S * 5/2006 Chen D8/68
D521,339 S * 5/2006 Chen D8/68
D534,047 S * 12/2006 Chi D8/68
D540,640 S * 4/2007 Clay D8/68
D591,127 S * 4/2009 Taga D8/68

* cited by examiner

Primary Examiner—Antoine D Davis

(57) **CLAIM**

The ornamental design for a pneumatic spanner, as shown and described.

DESCRIPTION

FIG. 1 is a perspective view of a pneumatic spanner showing my new design.

FIG. 2 is a left side view thereof;

FIG. 3 is a right side view thereof.

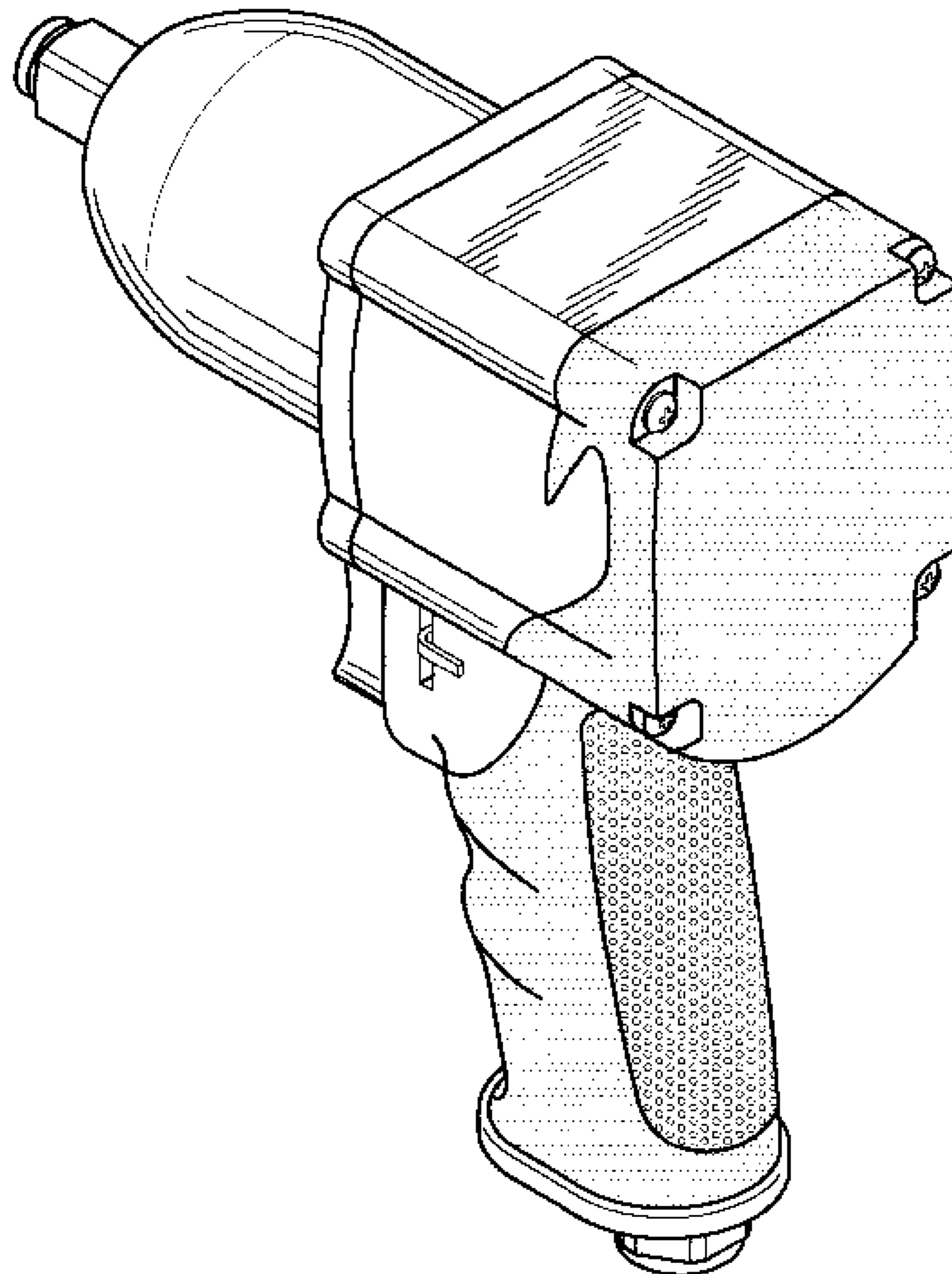
FIG. 4 is a front elevational view thereof.

FIG. 5 is a rear elevational view thereof.

FIG. 6 is a top plan view thereof; and,

FIG. 7 is a bottom plan view thereof.

1 Claim, 5 Drawing Sheets



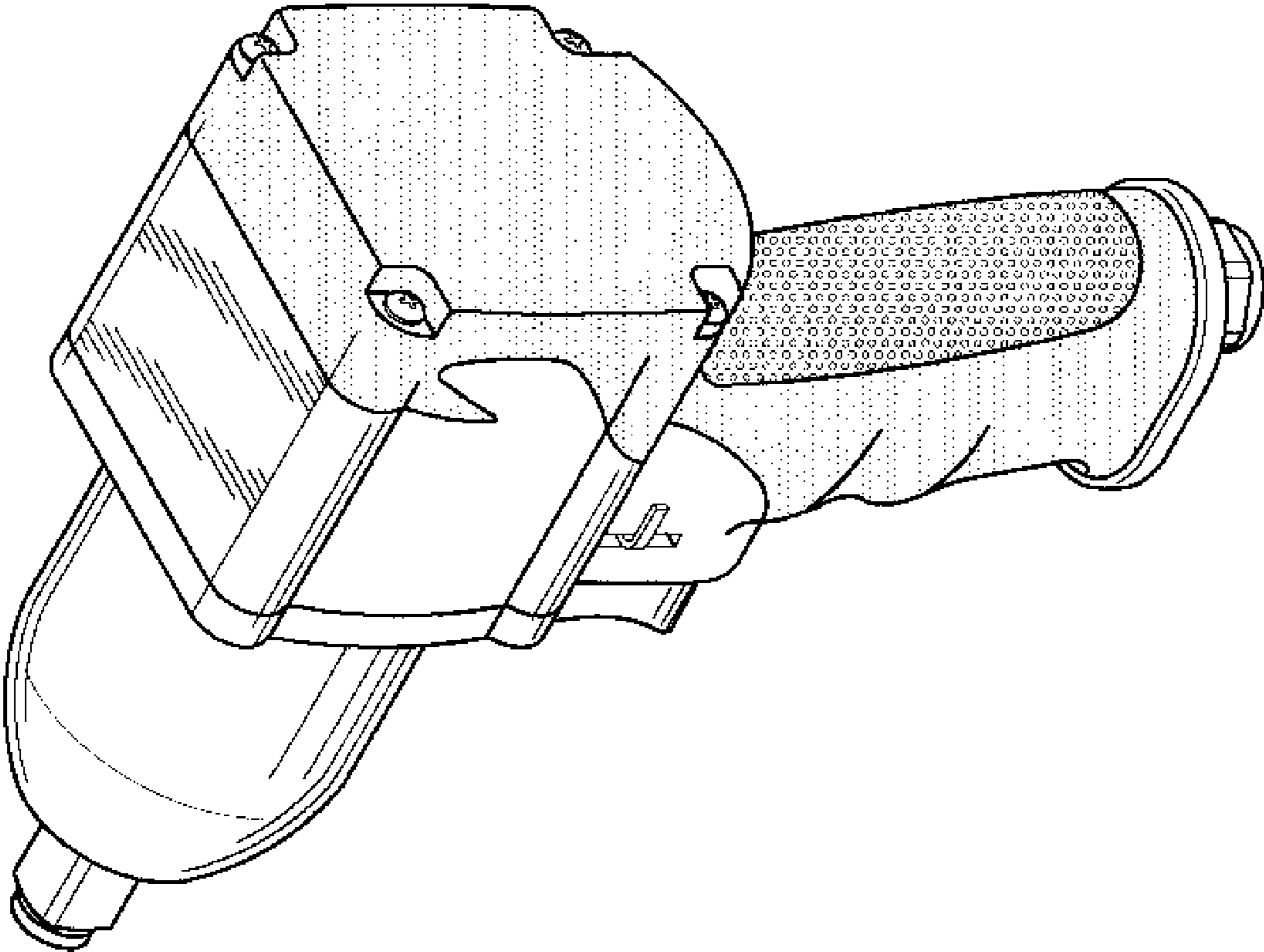


FIG. 1

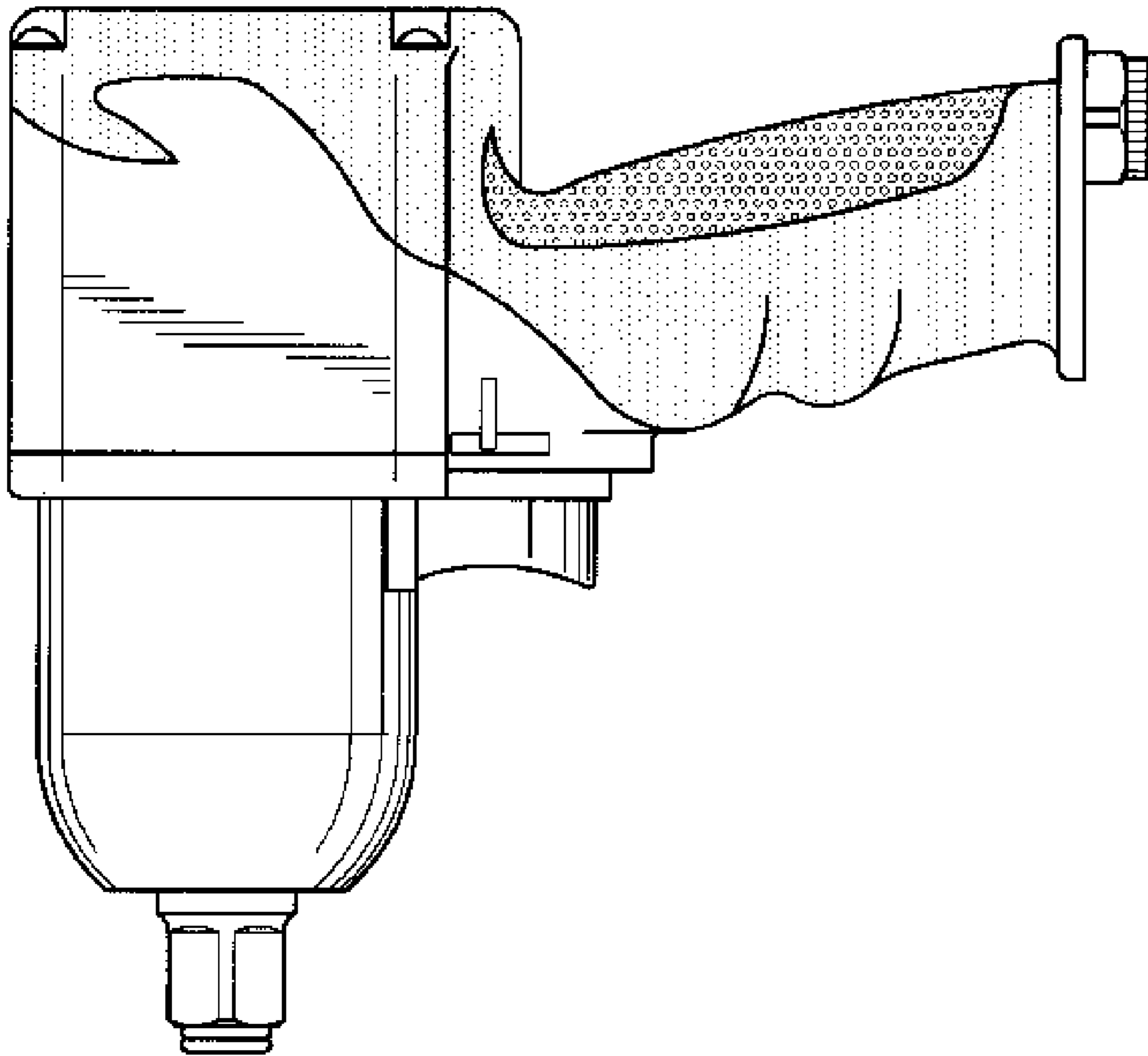


FIG. 2

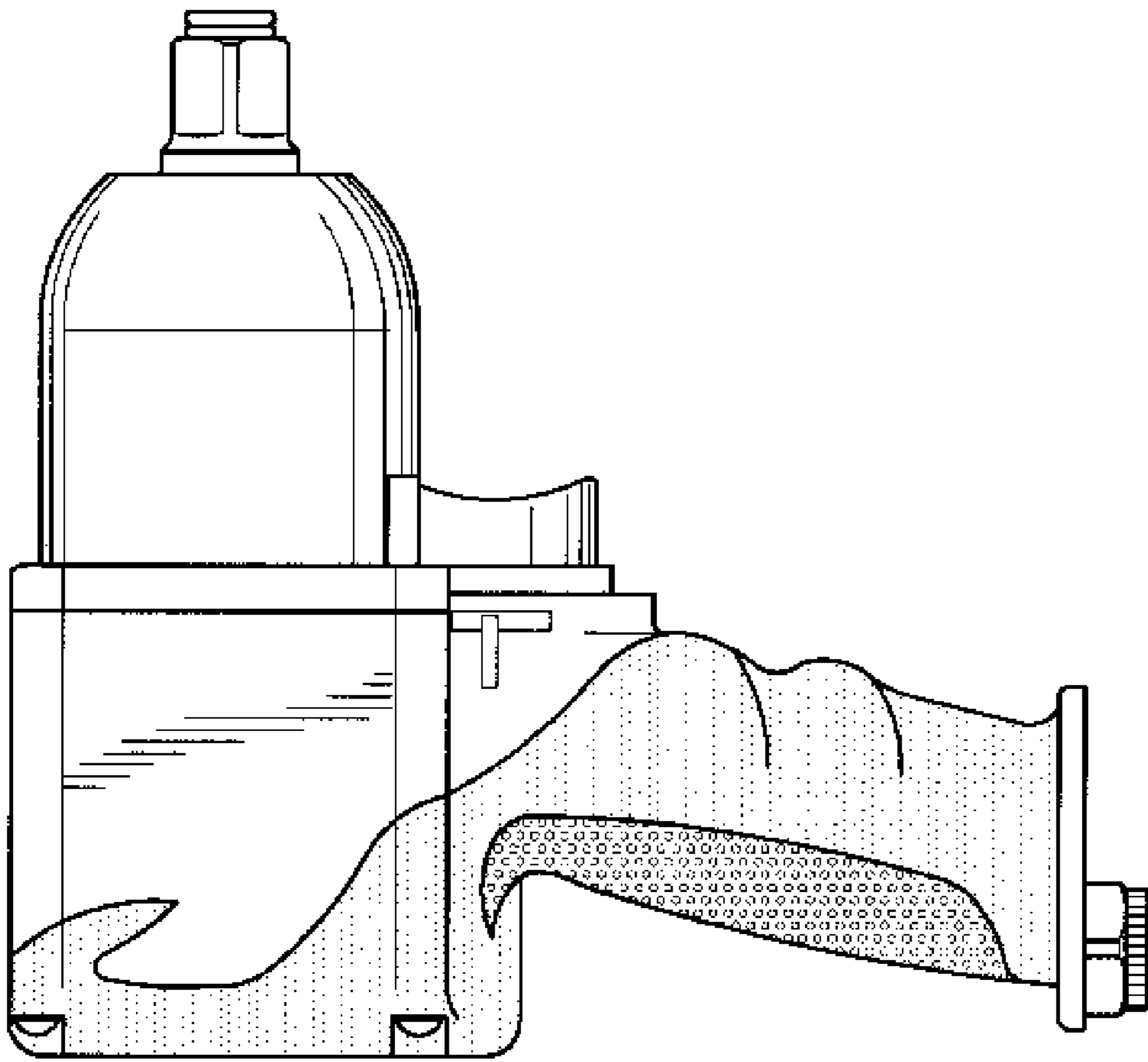


FIG. 3

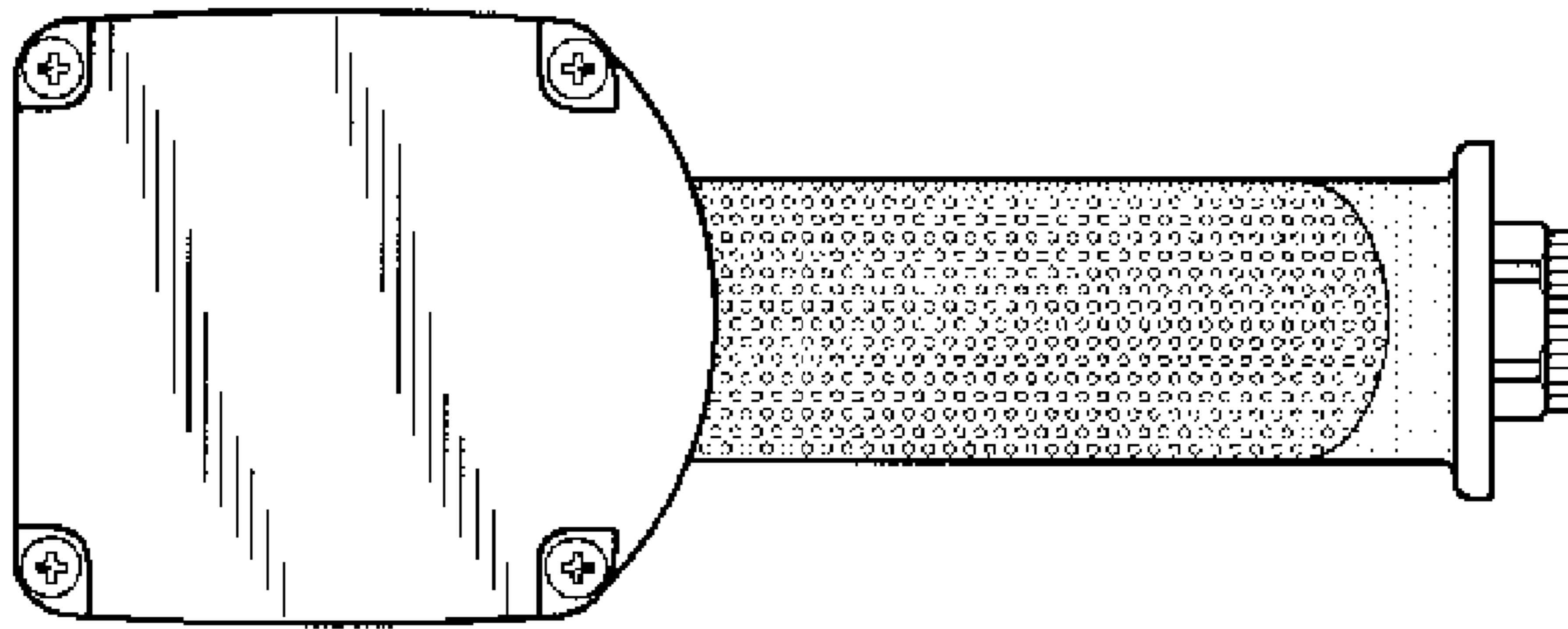


FIG. 4

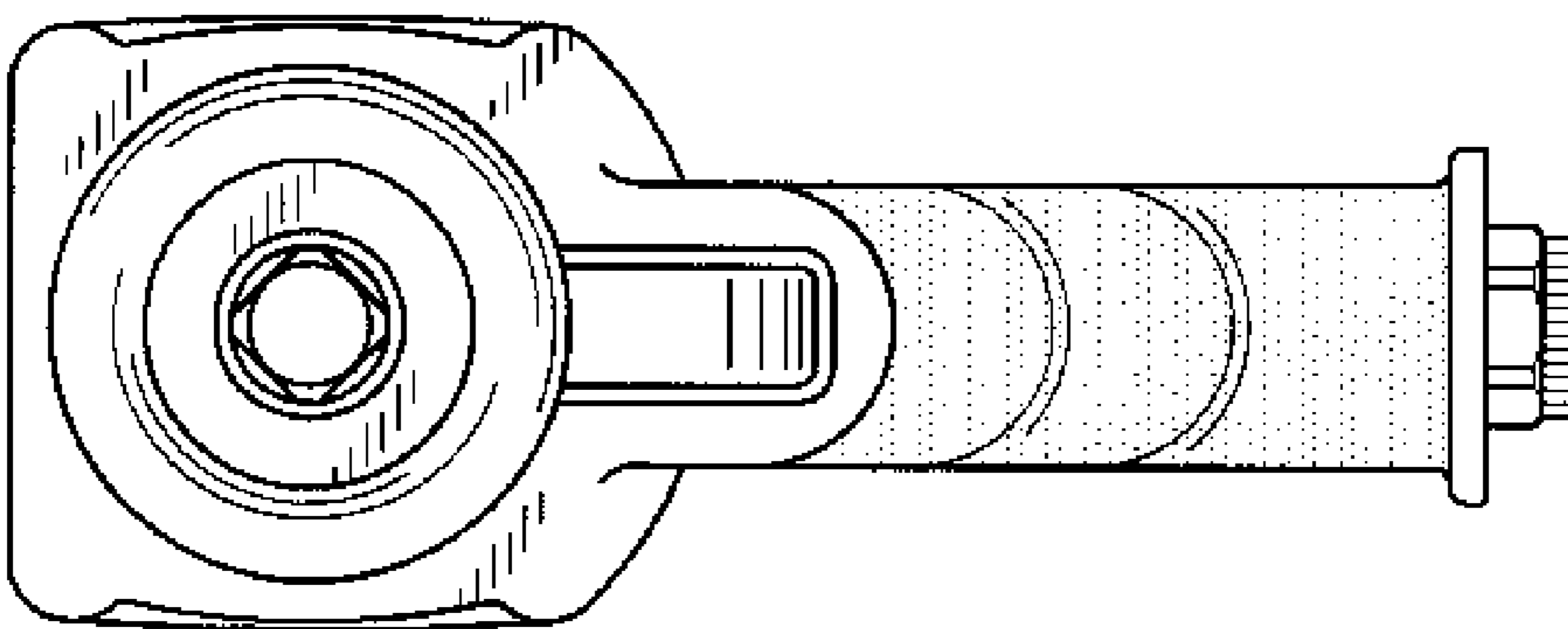


FIG. 5

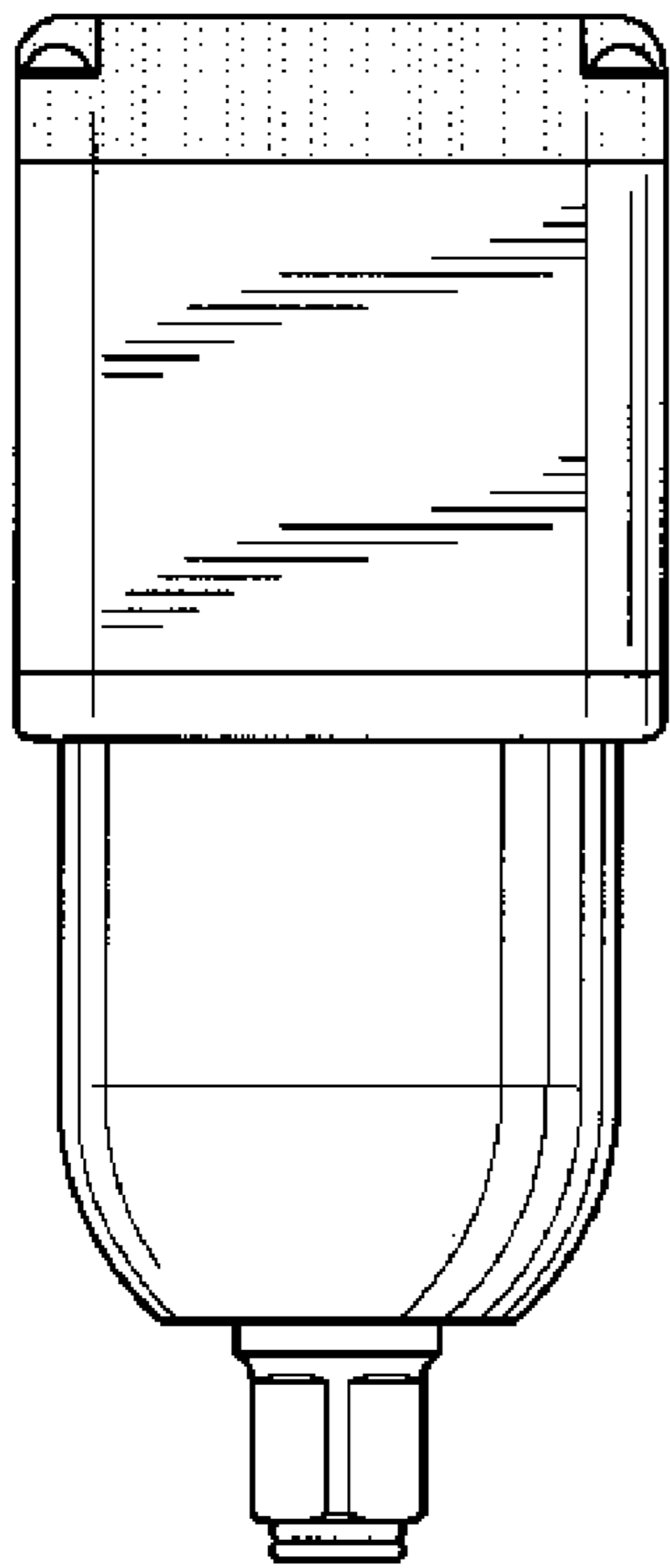


FIG. 6

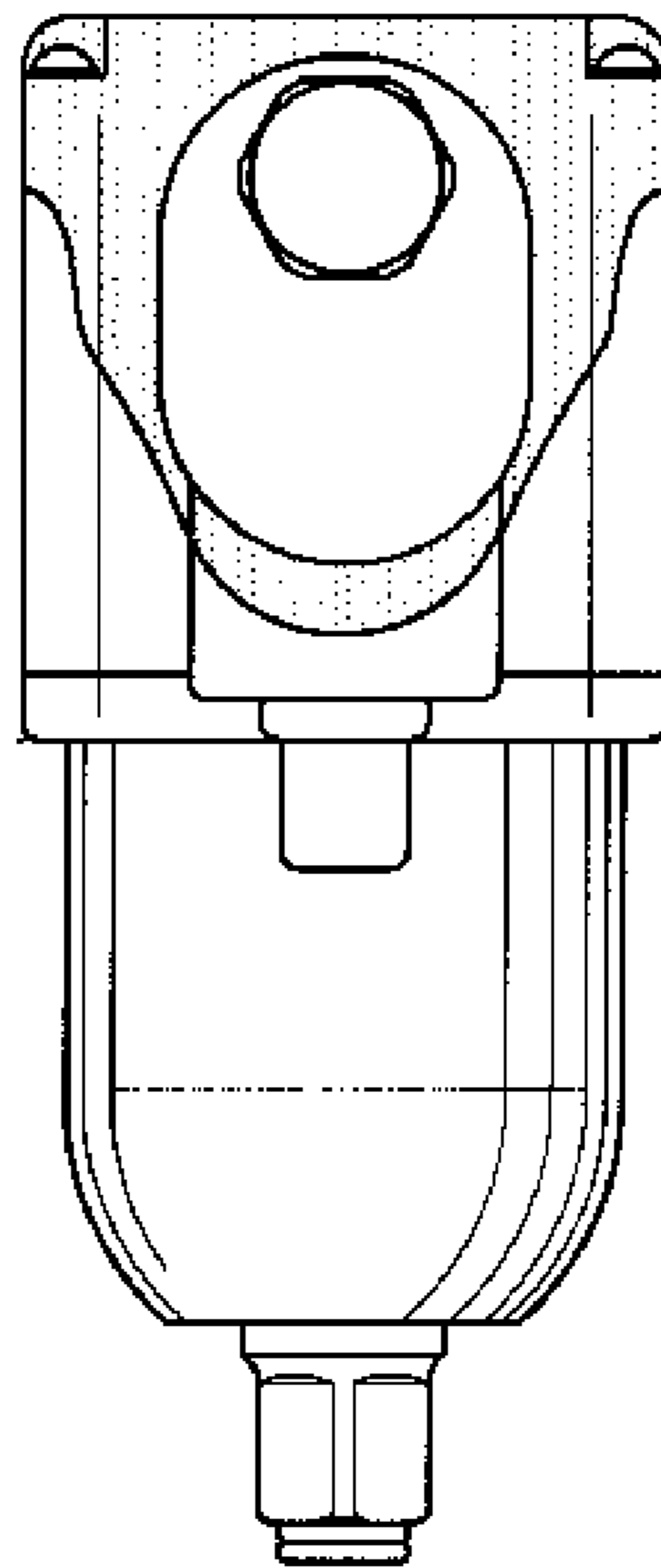


FIG. 7