



US00D604578S

(12) **United States Design Patent**  
**Feliciano**

(10) **Patent No.:** **US D604,578 S**

(45) **Date of Patent:** **\*\* Nov. 24, 2009**

(54) **PIPE-CRIMPING TOOL**

(76) **Inventor:** **Carlos Feliciano**, P.O. Box 721008,  
Orlando, FL (US) 32872-1008

(\*\*) **Term:** **14 Years**

(21) **Appl. No.:** **29/313,493**

(22) **Filed:** **Jan. 12, 2009**

(51) **LOC (9) Cl.** ..... **08-05**

(52) **U.S. Cl.** ..... **D8/51**

(58) **Field of Classification Search** ..... D8/14,  
D8/51, 32; D15/123; 29/237; 72/402, 416,  
72/454

See application file for complete search history.

(56) **References Cited**

**U.S. PATENT DOCUMENTS**

3,117,615	A *	1/1964	Graven	72/404
4,192,171	A *	3/1980	Hamilton	72/416
5,257,525	A *	11/1993	Clarke	72/402
5,353,623	A *	10/1994	Bobenhausen	72/402
5,720,197	A *	2/1998	Grau et al.	72/402
D400,893	S *	11/1998	Peterson	D15/123

6,269,675	B1 *	8/2001	Burnett	72/454
6,324,884	B1 *	12/2001	Barjesteh et al.	72/402
D483,241	S *	12/2003	Miller et al.	D8/71

\* cited by examiner

*Primary Examiner*—Philip S Hyder

(74) *Attorney, Agent, or Firm*—Elsie C. Turner

(57) **CLAIM**

The ornamental design for a pipe-crimping tool, as shown and described.

**DESCRIPTION**

FIG. 1 is a perspective view of my new design for a pipe-crimping tool;

FIG. 2 is front elevational view thereof;

FIG. 3 is a rear elevational view thereof;

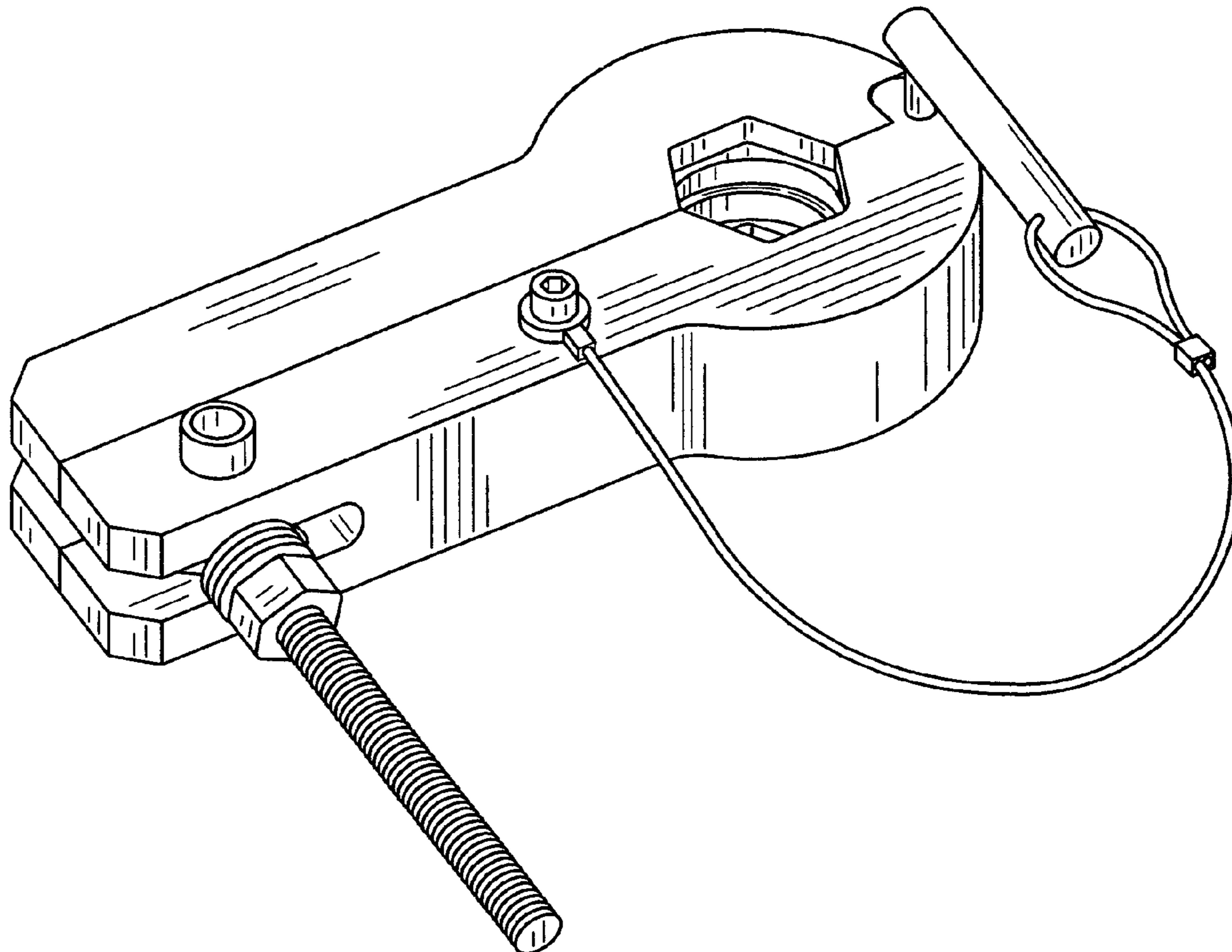
FIG. 4 is a right end elevational view thereof;

FIG. 5 is a top plan view thereof;

FIG. 6 is a left end elevational view thereof; and,

FIG. 7 is a bottom plan view thereof.

**1 Claim, 3 Drawing Sheets**



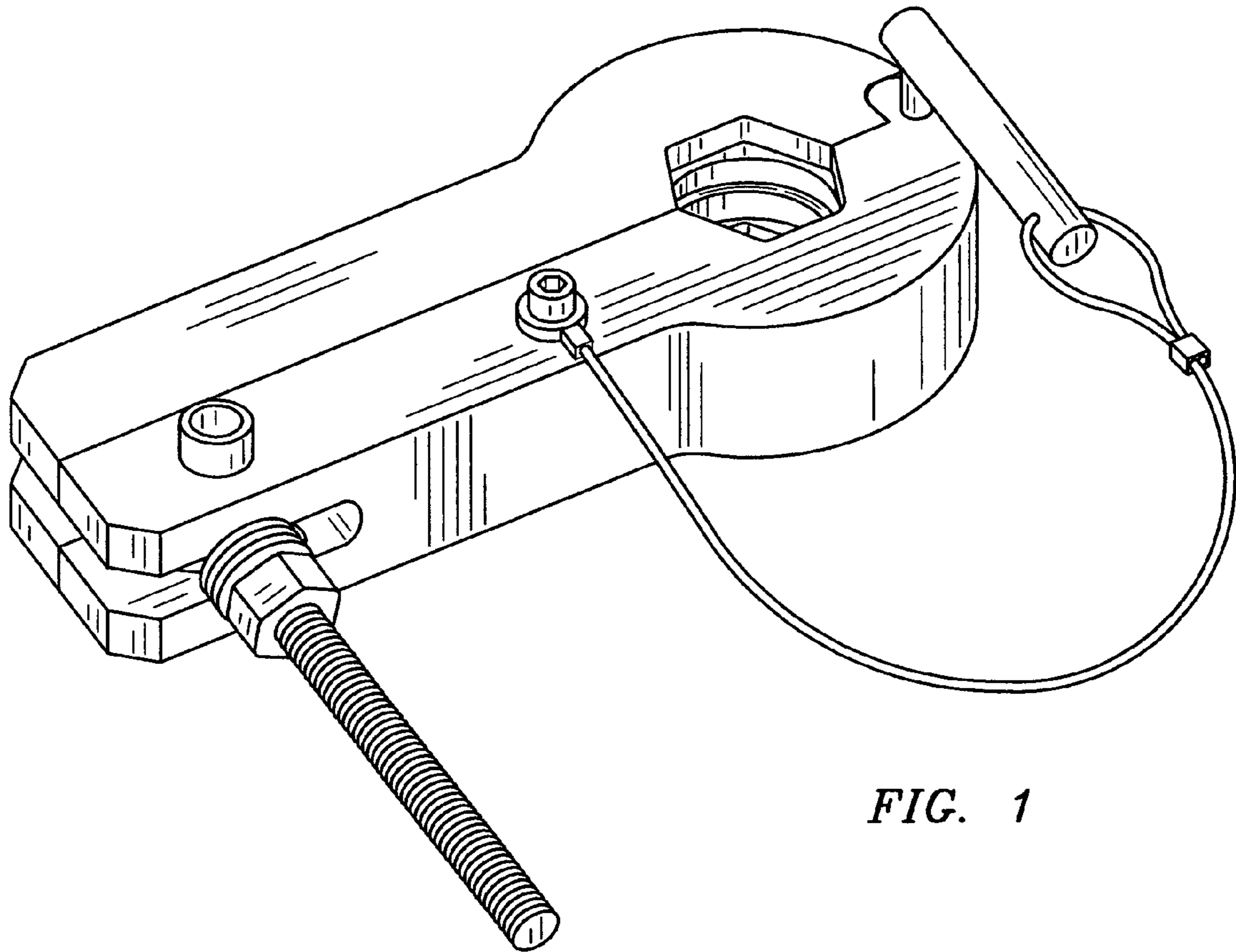


FIG. 1

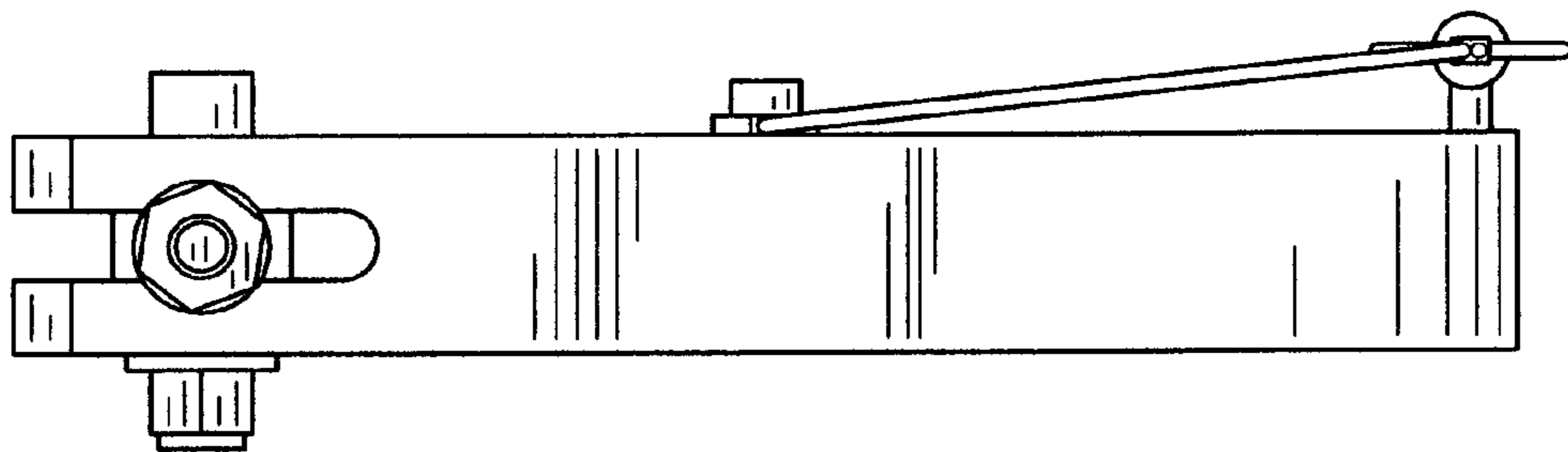


FIG. 2

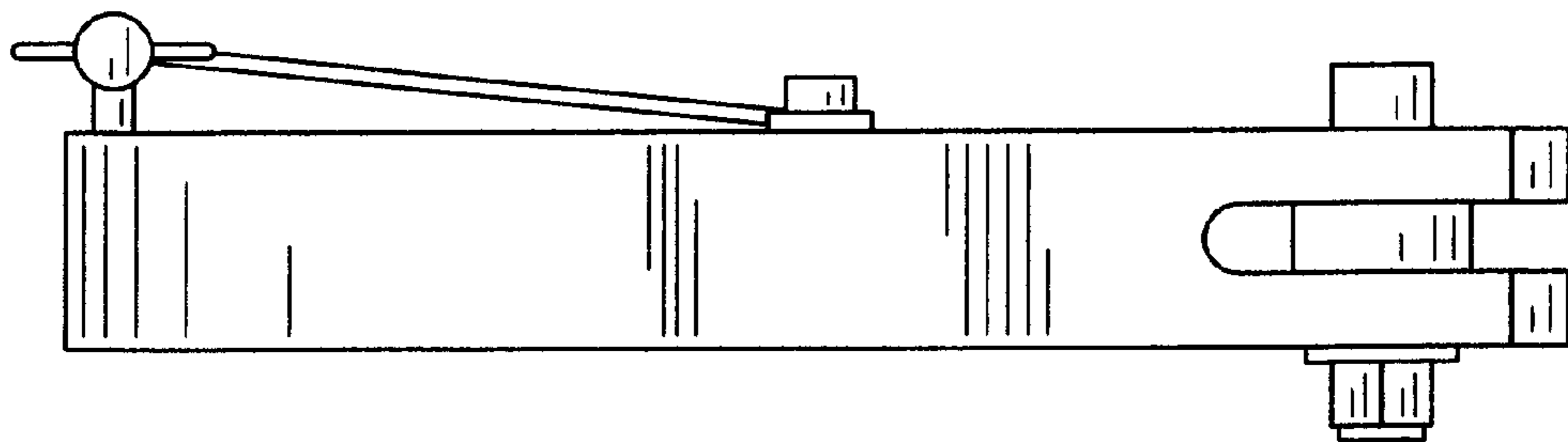


FIG. 3

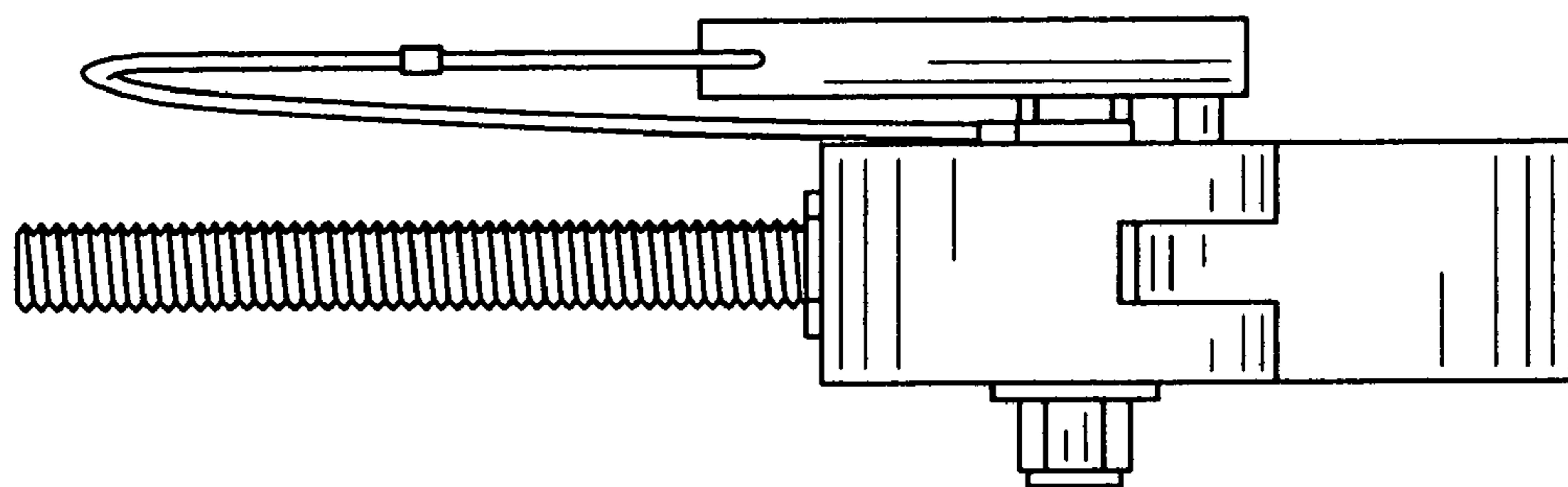


FIG. 4

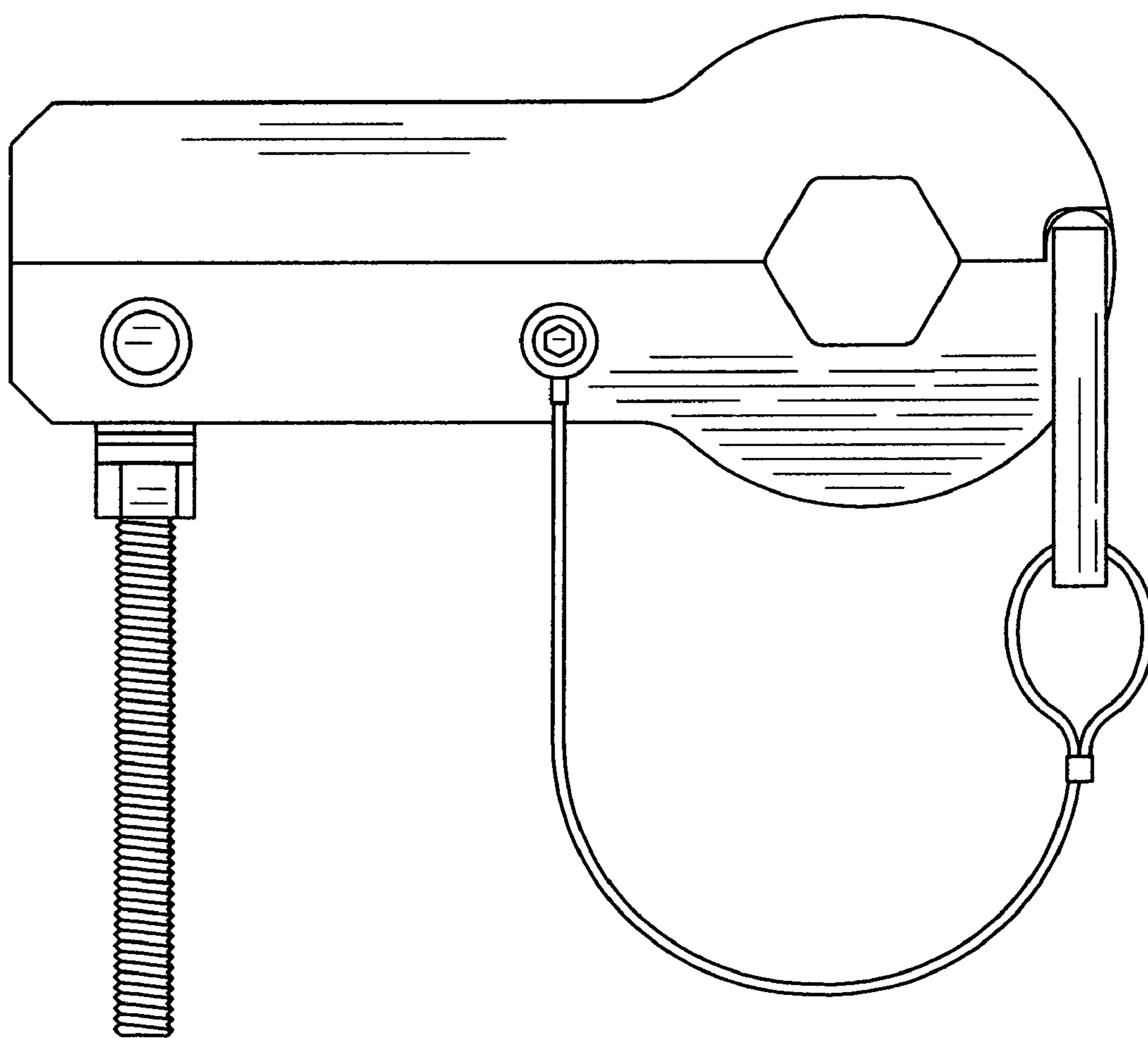


FIG. 5

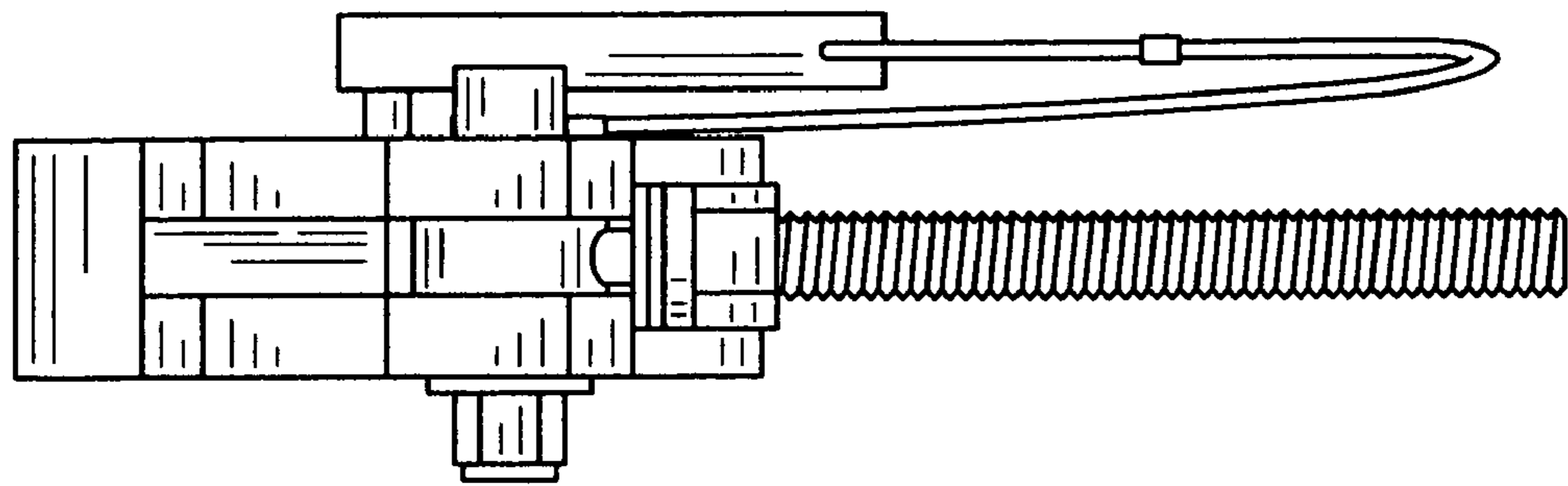


FIG. 6

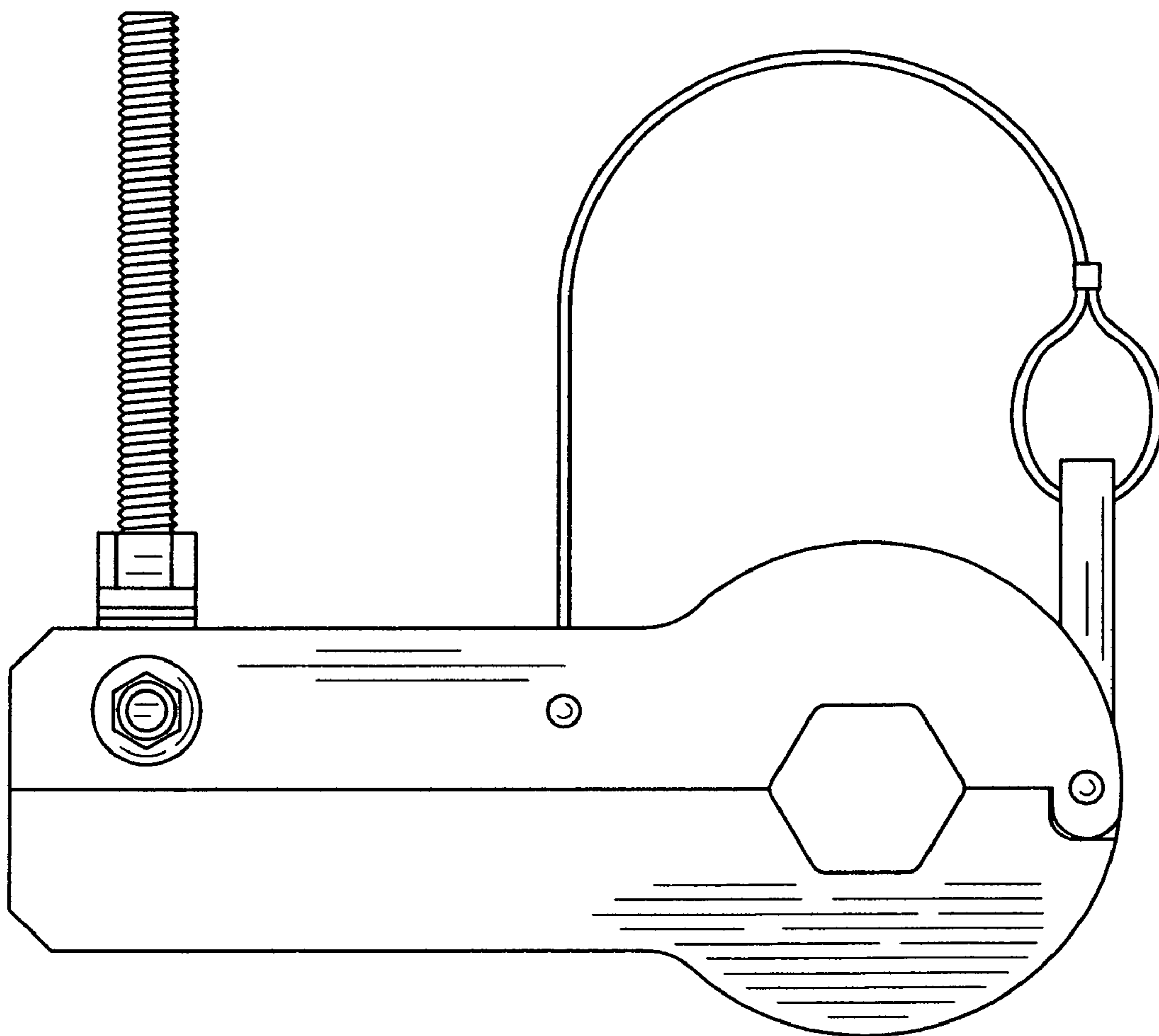


FIG. 7