



US00D604575S

(12) **United States Design Patent**
Yu

(10) **Patent No.:** **US D604,575 S**

(45) **Date of Patent:** **** Nov. 24, 2009**

(54) **WINE OPENER**

(75) Inventor: **Kwok Leung Yu, Kwai Chung (HK)**

(73) Assignee: **Ko Fung Products Industrial Limited, Kwai Chung, N.T. (HK)**

(**) Term: **14 Years**

(21) Appl. No.: **29/304,907**

(22) Filed: **Mar. 10, 2008**

(30) **Foreign Application Priority Data**

Oct. 8, 2007 (HK) 0702521

(51) **LOC (9) Cl.** **07-06**

(52) **U.S. Cl.** **D8/42**

(58) **Field of Classification Search** D8/16-19,
D8/21, 27, 33-43, 88, 105, 300, 307; D32/46;
7/113, 151-156; 30/400-410, 416-430,
30/433, 434, 443, 450; 81/3.07, 3.09, 3.2,
81/3.27, 3.29, 3.31, 3.33, 3.35, 3.37, 3.4,
81/3.45-3.49, 3.555-3.57

See application file for complete search history.

(56) **References Cited**

U.S. PATENT DOCUMENTS

D463,236 S * 9/2002 Mauffette D8/42
D464,546 S * 10/2002 Mauffette D8/40
D499,319 S * 12/2004 Kramer D8/42
D507,942 S * 8/2005 Wu D7/679

D511,282 S * 11/2005 Vitrac D8/42
D511,664 S * 11/2005 Lee D8/42
D520,314 S * 5/2006 Sun D8/42
D546,653 S * 7/2007 Cheung D8/42
2002/0014136 A1* 2/2002 So 81/3.29
2006/0112788 A1* 6/2006 Cheung 81/3.37

* cited by examiner

Primary Examiner—Caron Veynar

Assistant Examiner—Garth Rademaker

(74) *Attorney, Agent, or Firm*—Carmody & Torrance LLP

(57) **CLAIM**

The ornamental design for a wine opener, as shown and described.

DESCRIPTION

FIG. 1 is a perspective view of a wine opener showing my new design;

FIG. 2 is a front elevational view thereof;

FIG. 3 is a back elevational view thereof;

FIG. 4 is a left side elevational view thereof;

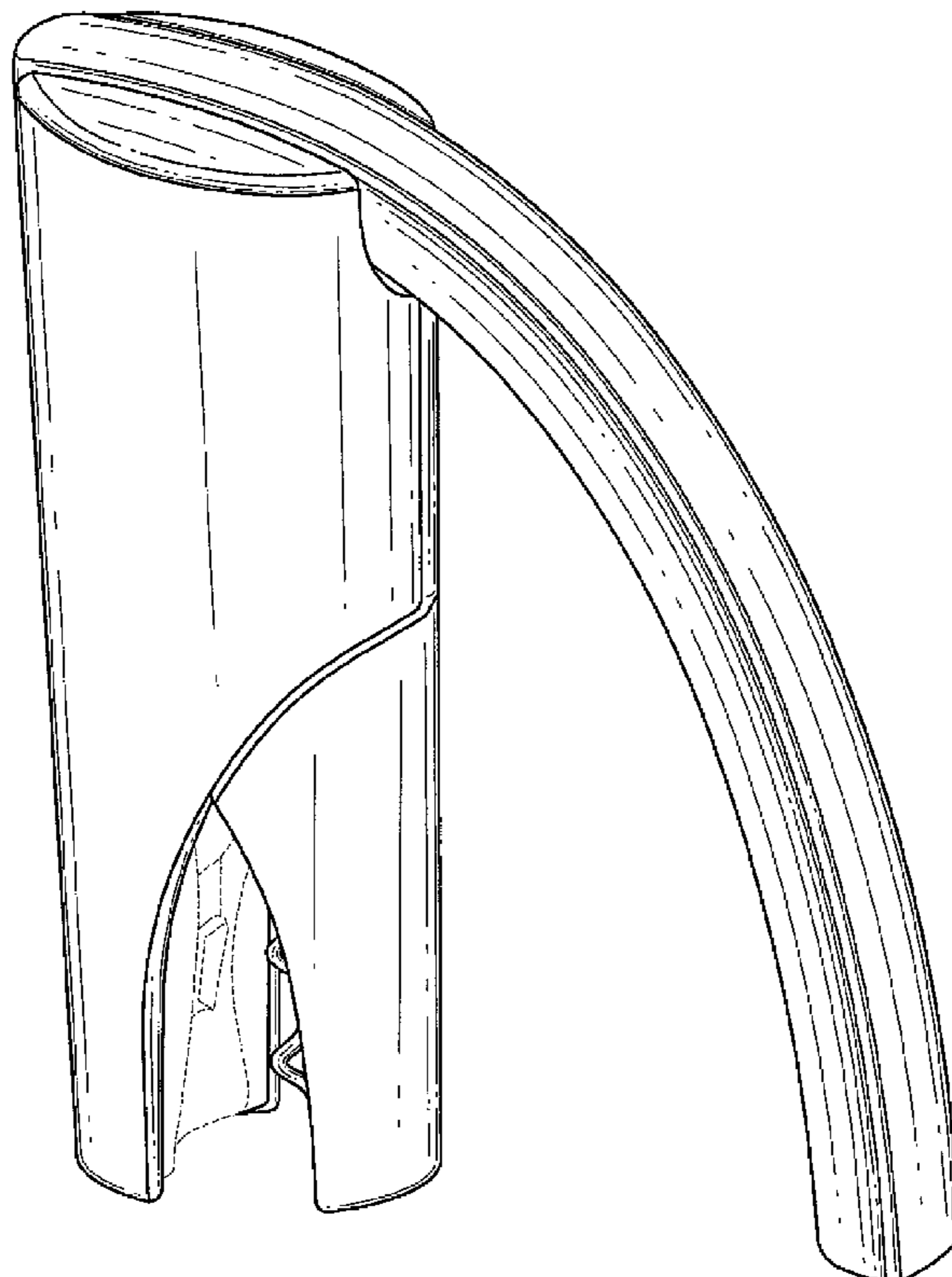
FIG. 5 is a right side elevational view thereof;

FIG. 6 is a bottom plan view thereof; and,

FIG. 7 is a top plan view thereof.

The broken-line showings are environmental only and form no part of the claimed design.

1 Claim, 5 Drawing Sheets



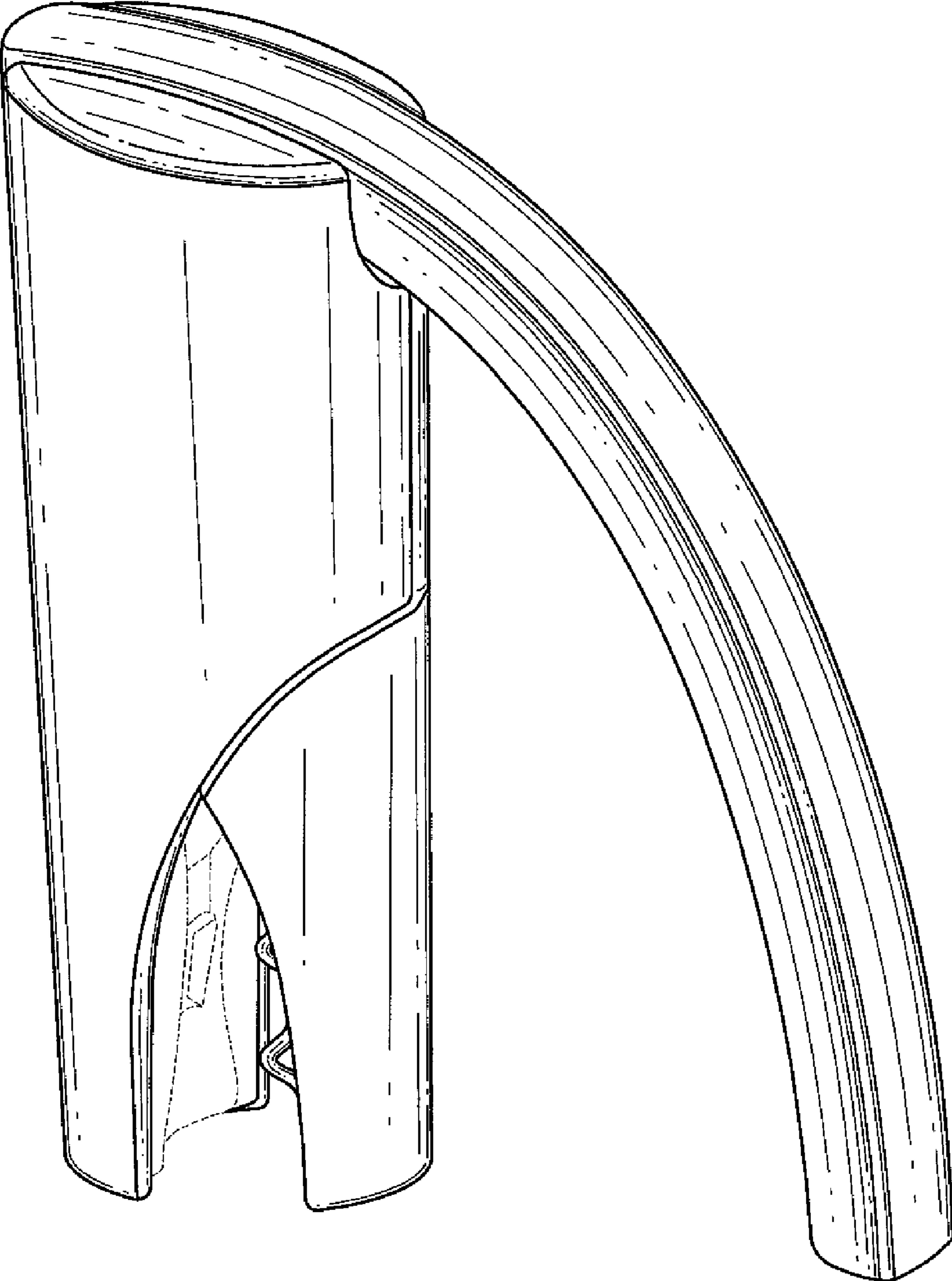


FIG. 1

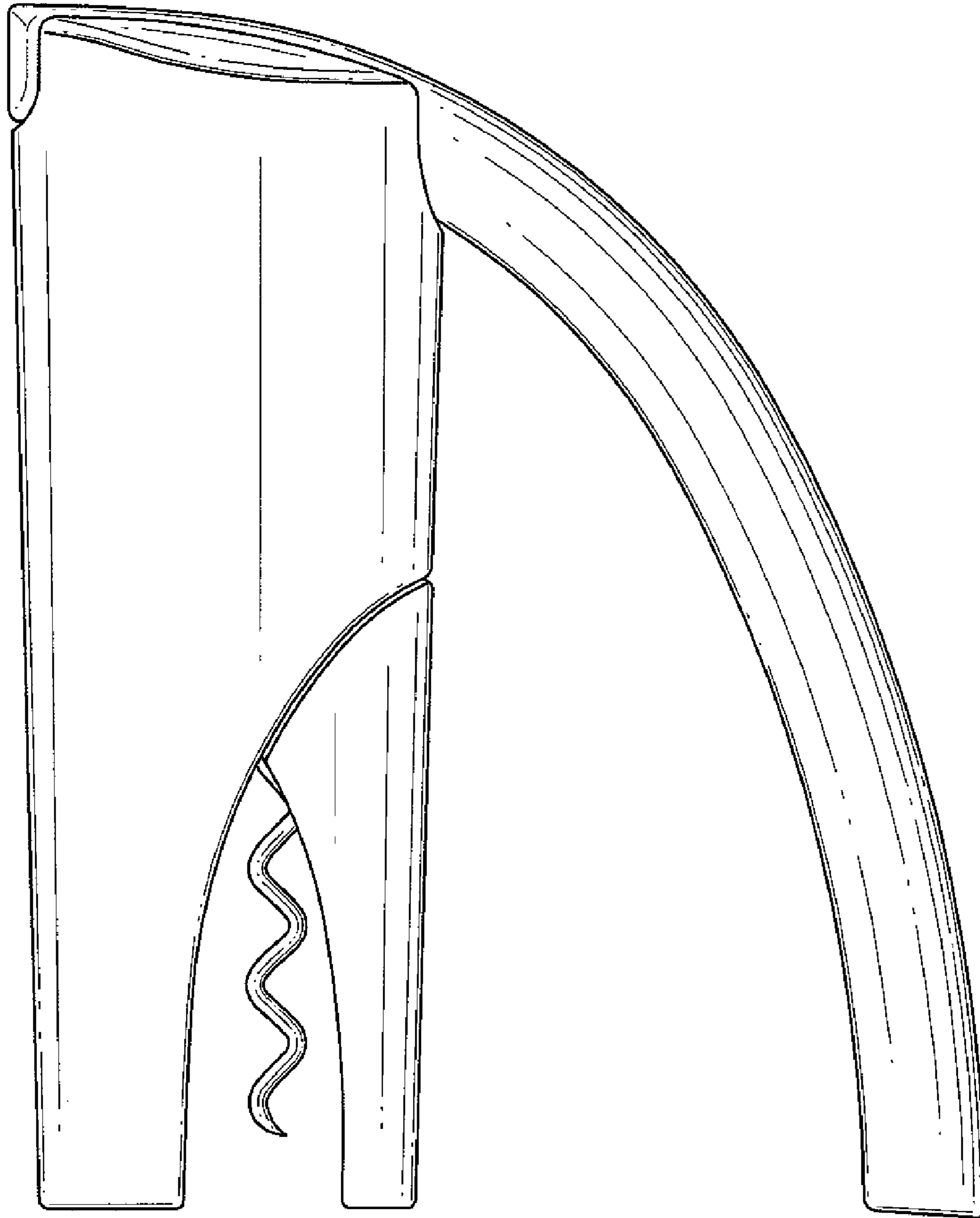


FIG. 2

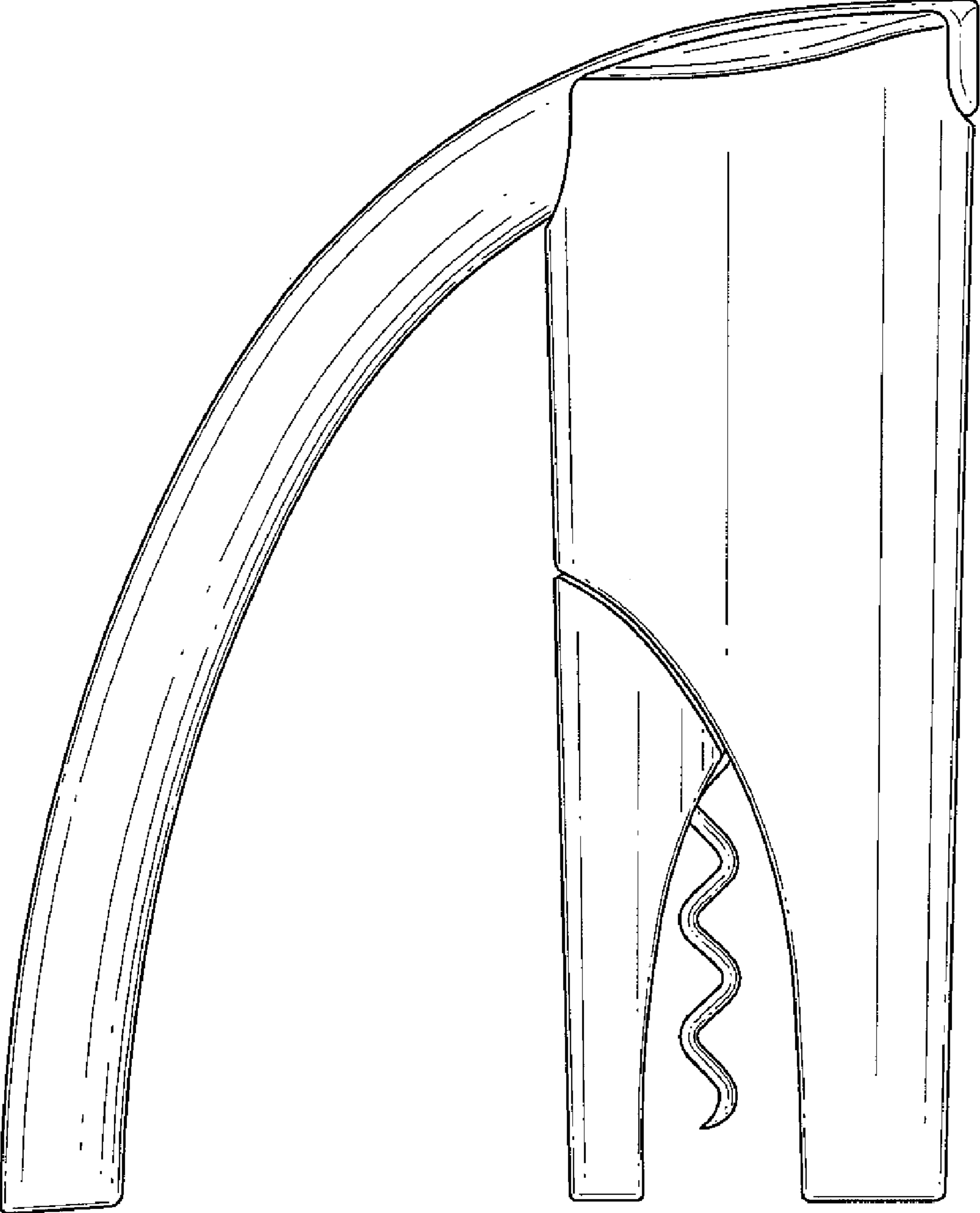


FIG. 3

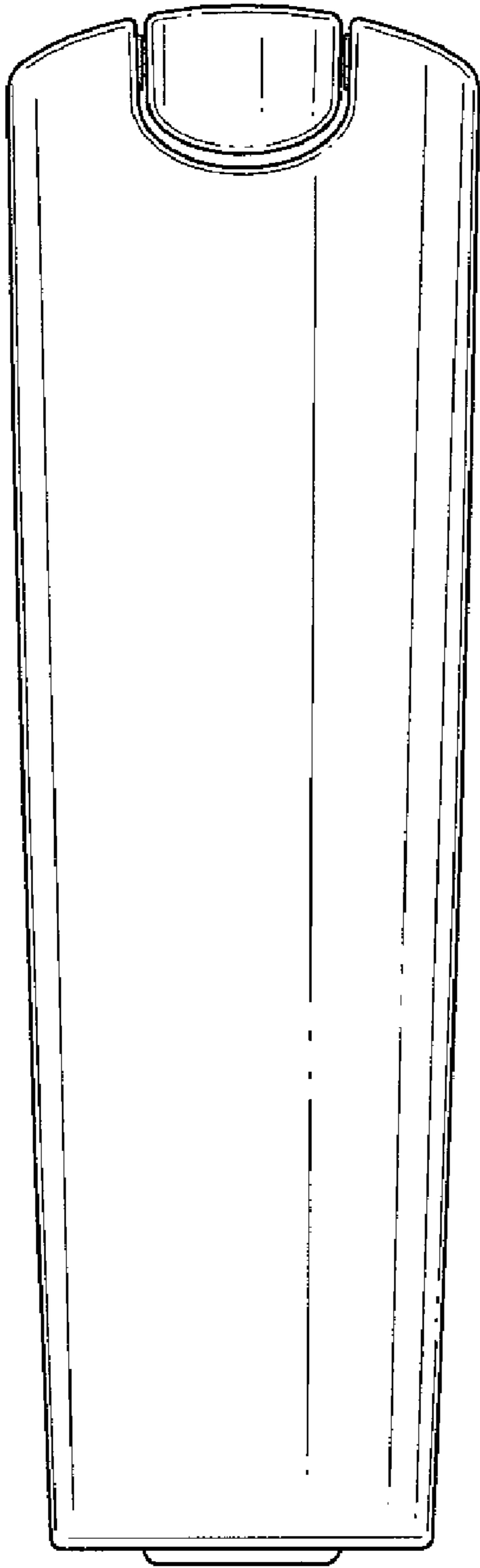


FIG. 4

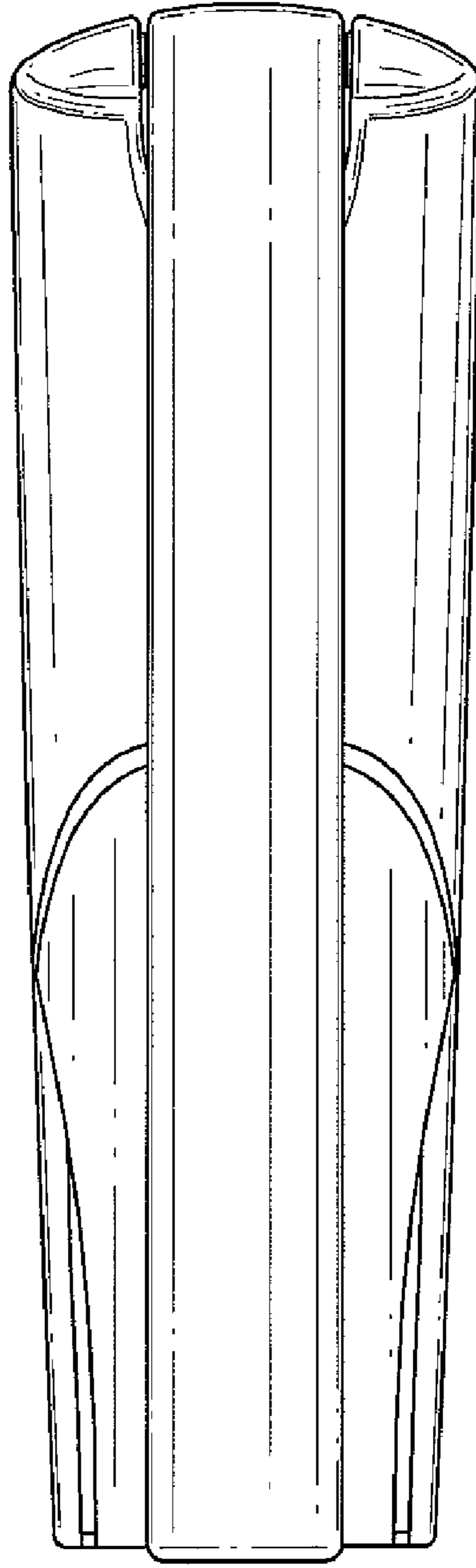


FIG. 5

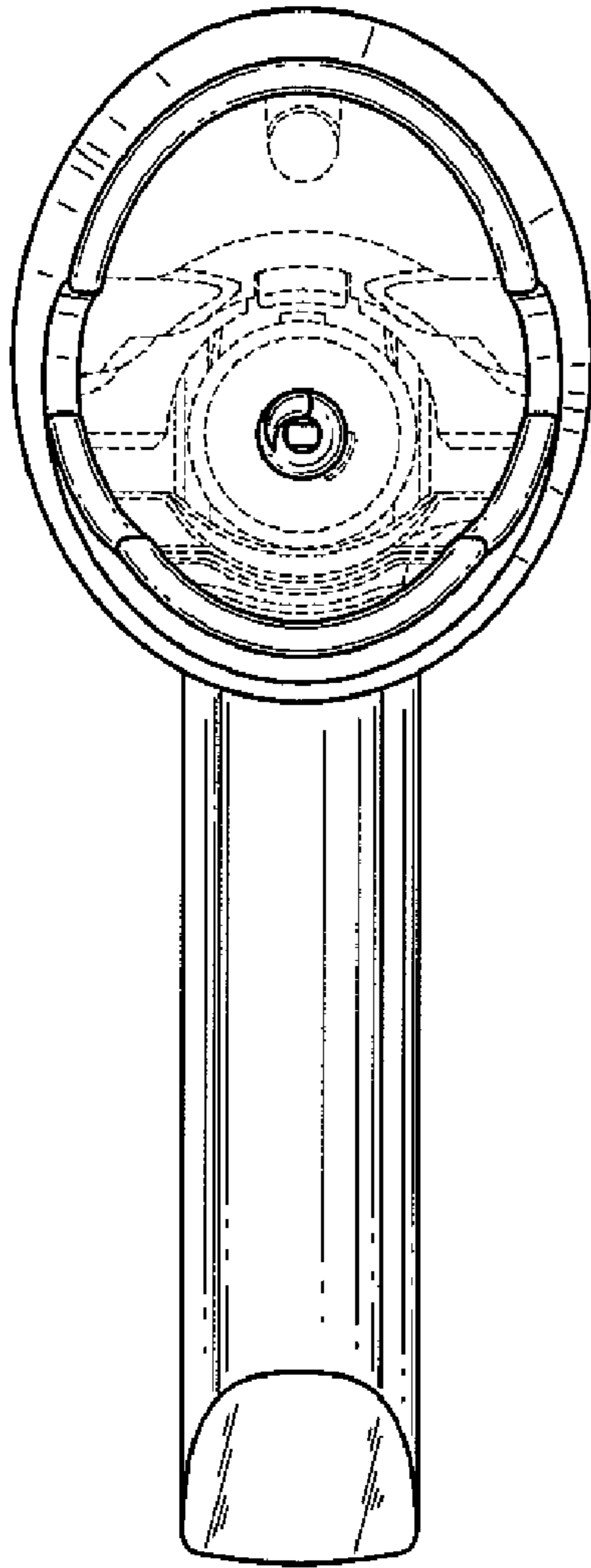


FIG. 6

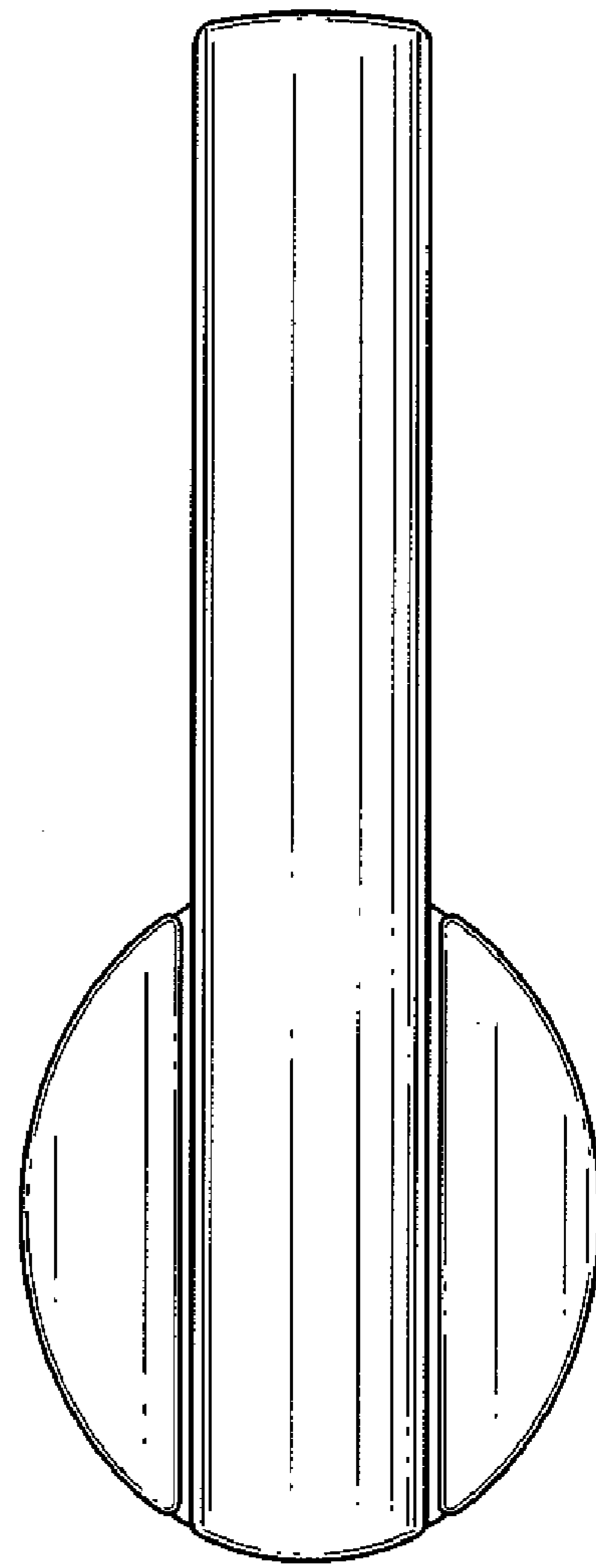


FIG. 7