



US00D604573S

(12) **United States Design Patent**
Boies et al.

(10) **Patent No.:** **US D604,573 S**

(45) **Date of Patent:** **** Nov. 24, 2009**

(54) **“D” HANDLE FOR SHOVEL**

(75) Inventors: **David Boies**, Lavis (CA); **Maureen Elizabeth Carroll**, Atlanta, GA (US)

(73) Assignee: **Ames True Temper, Inc.**, Camp Hill, PA (US)

(**) Term: **14 Years**

(21) Appl. No.: **29/333,706**

(22) Filed: **Mar. 13, 2009**

(51) **LOC (9) Cl.** **08-01**

(52) **U.S. Cl.** **D8/10**

(58) **Field of Classification Search** D8/1,
D8/10, 11, 12, 13; 294/49, 54.5, 57; 172/371–373,
172/375–376

See application file for complete search history.

(56) **References Cited**

U.S. PATENT DOCUMENTS

3,226,149	A *	12/1965	McJohnson	294/50
D269,490	S *	6/1983	Germain	D8/1
D284,733	S *	7/1986	Hozumi	D8/10
D291,863	S *	9/1987	Kolonia	D8/107
D398,202	S *	9/1998	Tisbo et al.	D8/10
D432,373	S *	10/2000	Fox	D8/10
D526,864	S *	8/2006	Braun	D8/10

D548,550	S *	8/2007	Yeh	D8/10
D565,366	S *	4/2008	Buscher	D8/10
D565,367	S *	4/2008	Buscher	D8/13
D569,697	S *	5/2008	Baker	D8/10
D585,252	S *	1/2009	Mullen	D8/7
D592,920	S *	5/2009	Boies et al.	D8/10

* cited by examiner

Primary Examiner—Holly H Baynham

Assistant Examiner—Sheryl Lane

(74) *Attorney, Agent, or Firm*—Eckert Seamans Cherin & Mellott, LLC; David C. Jenkins, Esquire

(57) **CLAIM**

The ornamental design for a “D” handle for shovel, as shown and described.

DESCRIPTION

FIG. 1 is an isometric view of the “D” handle for shovel;

FIG. 2 is a front view of the “D” handle for shovel;

FIG. 3 is a back view of the “D” handle for shovel;

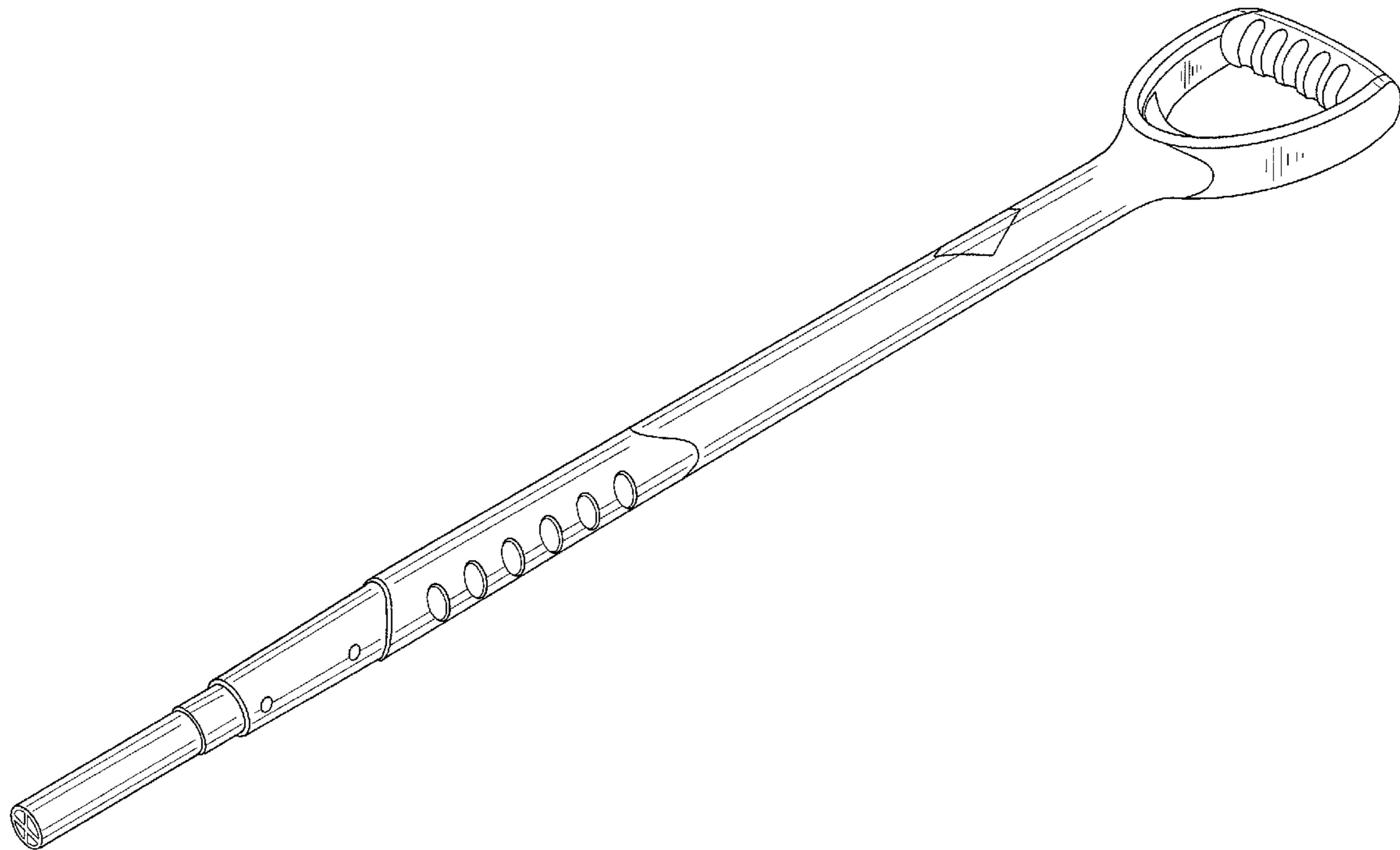
FIG. 4 is a top view of the “D” handle for shovel;

FIG. 5 is a bottom view of the “D” handle for shovel;

FIG. 6 is a right side view of the “D” handle for shovel; and,

FIG. 7 is a left side view of the “D” handle for shovel.

1 Claim, 3 Drawing Sheets



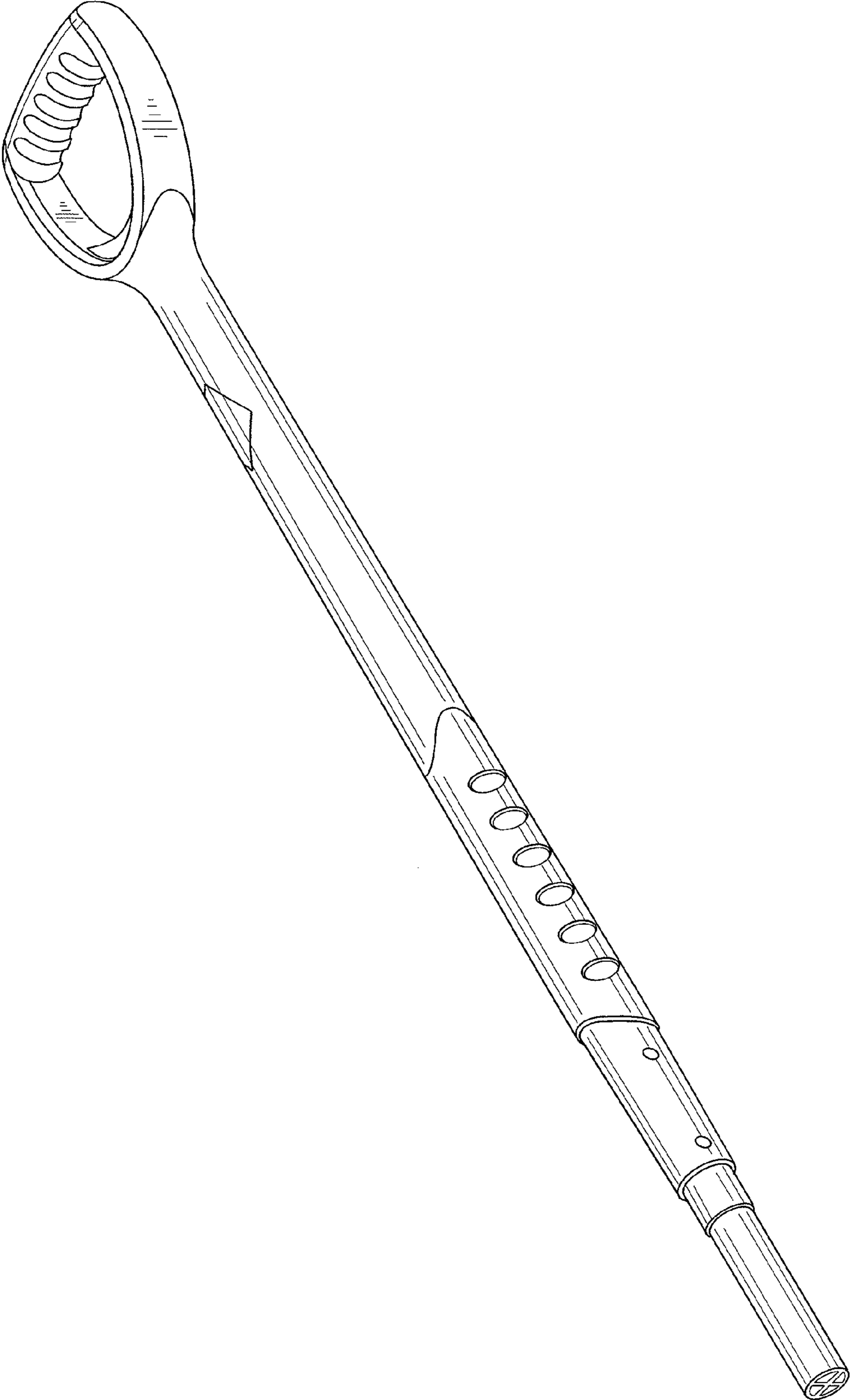


FIG. 1

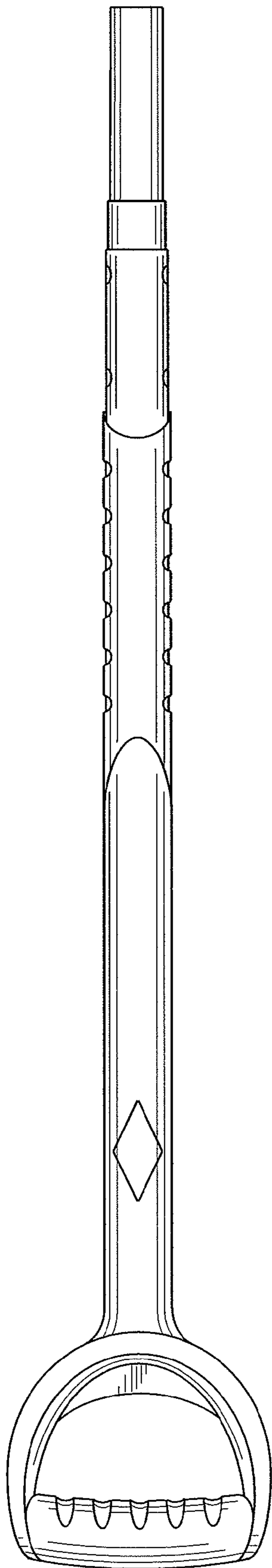


FIG. 2

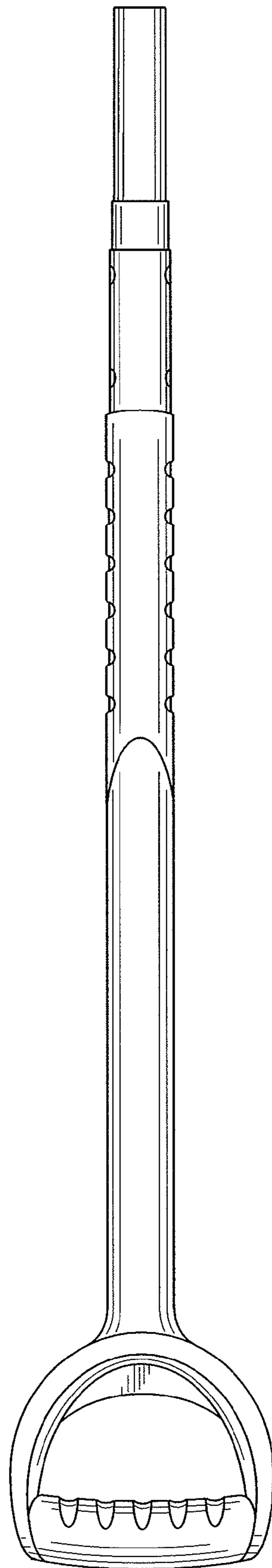


FIG. 3



FIG. 4



FIG. 5



FIG. 6

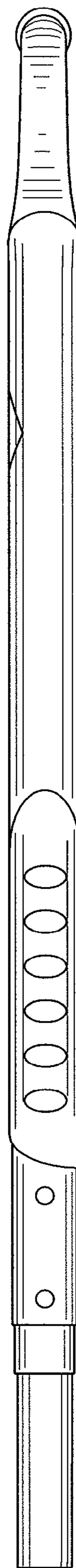


FIG. 7