



US00D604565S

(12) **United States Design Patent**  
**Roth et al.**

(10) **Patent No.:** **US D604,565 S**  
(45) **Date of Patent:** **\*\* Nov. 24, 2009**

(54) **CONTAINER**

(76) Inventors: **Donna Roth**, 10 Cordage Park Cir.,  
Suite 212, Plymouth, MA (US) 02360;  
**Henry Roth**, 10 Cordage Park Cir., Suite  
212, Plymouth, MA (US) 02360

D421,547 S 3/2000 Demers  
D447,917 S \* 9/2001 Miller et al. .... D7/629  
D482,936 S \* 12/2003 Miller et al. .... D7/629  
D501,366 S \* 2/2005 Claypool et al. .... D7/602  
D524,153 S \* 7/2006 Reinhard ..... D9/428  
D527,588 S \* 9/2006 de Groote et al. .... D7/629  
D531,461 S 11/2006 Littmann

(\*\*) Term: **14 Years**

\* cited by examiner

(21) Appl. No.: **29/332,213**

*Primary Examiner*—Terry A Wallace  
(74) *Attorney, Agent, or Firm*—Garcia-Zamor IP Law; Ruy  
M. Garcia-Zamor

(22) Filed: **Feb. 11, 2009**

**Related U.S. Application Data**

(62) Division of application No. 29/326,891, filed on Oct.  
27, 2008, which is a division of application No.  
29/322,819, filed on Aug. 13, 2008, now Pat. No. Des.  
584,571, which is a division of application No. 29/281,  
556, filed on Jun. 26, 2007, now Pat. No. Des. 576,450.

(57) **CLAIM**

The ornamental design for a container, as shown and  
described.

(51) **LOC (9) Cl.** ..... **07-01**

(52) **U.S. Cl.** ..... **D7/629**

(58) **Field of Classification Search** ..... D7/510,  
D7/511, 612–615, 601, 602, 629, 538–542;  
D9/428, 549, 559, 435, 446; 220/780–806,  
220/203.1, 574–575

See application file for complete search history.

**DESCRIPTION**

FIG. 1 is a perspective view of a container showing our new  
design.

FIG. 2 is a right side view thereof, the opposite side being a  
mirror image.

FIG. 3 is a front elevation view thereof.

FIG. 4 is a top plan view thereof.

FIG. 5 is a rear elevation view thereof; and,

FIG. 6 is a bottom plan view thereof.

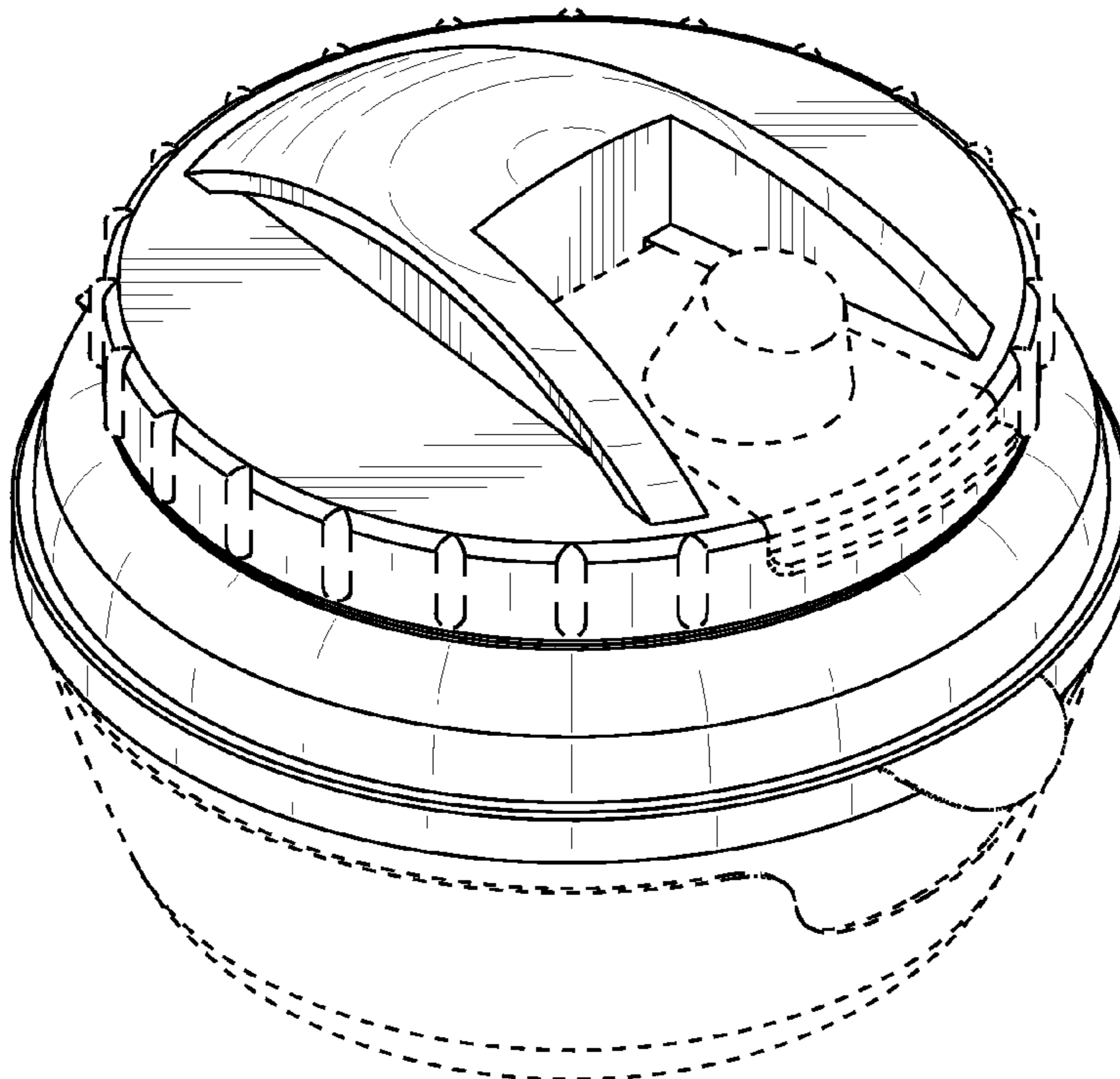
The broken lines are for illustrative purposes only and form  
no part of the claimed design.

(56) **References Cited**

**U.S. PATENT DOCUMENTS**

D180,049 S 4/1957 Tupper  
D244,415 S \* 5/1977 Daenen ..... D9/428

**1 Claim, 3 Drawing Sheets**



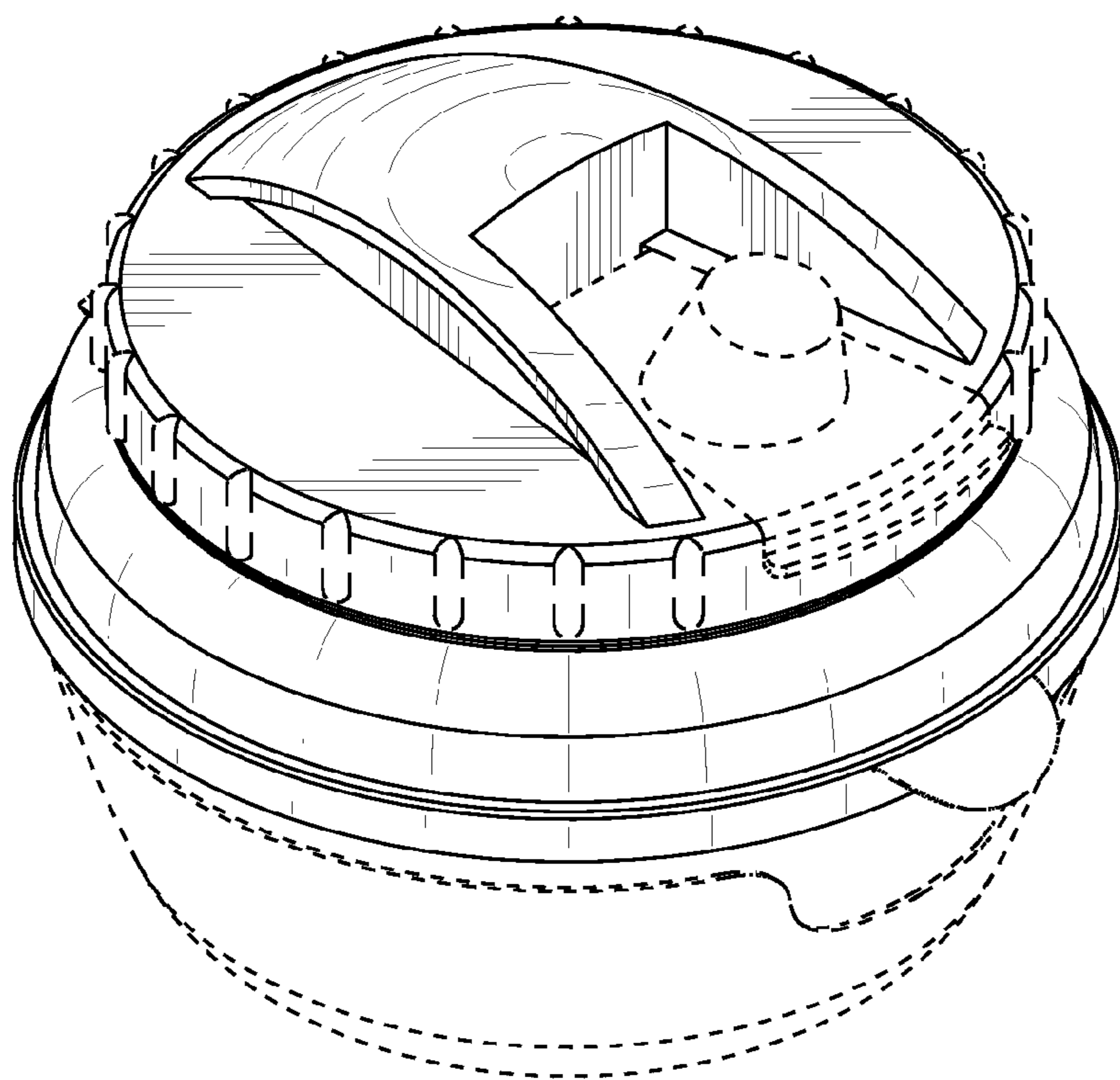


FIG. 1

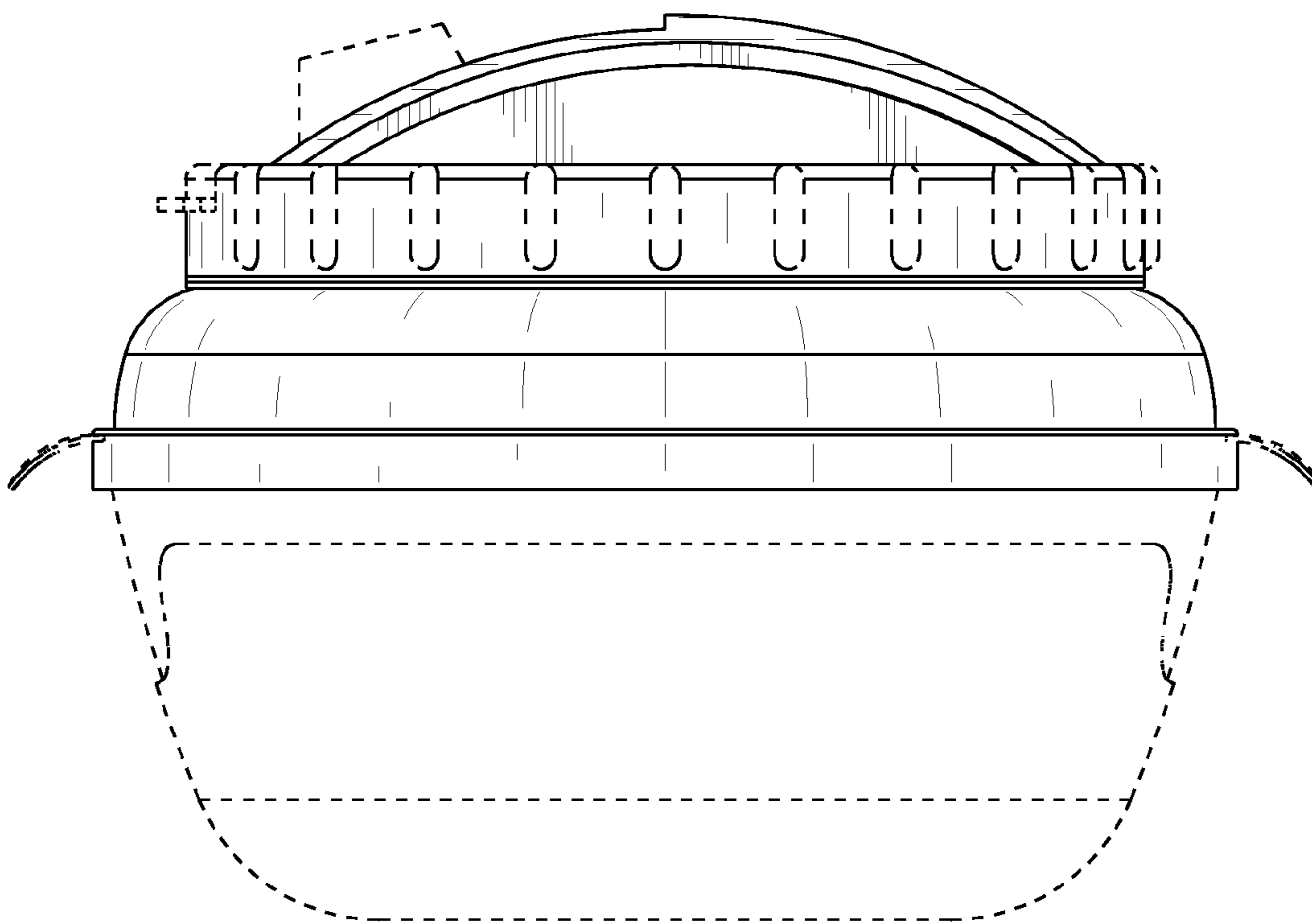


FIG. 2

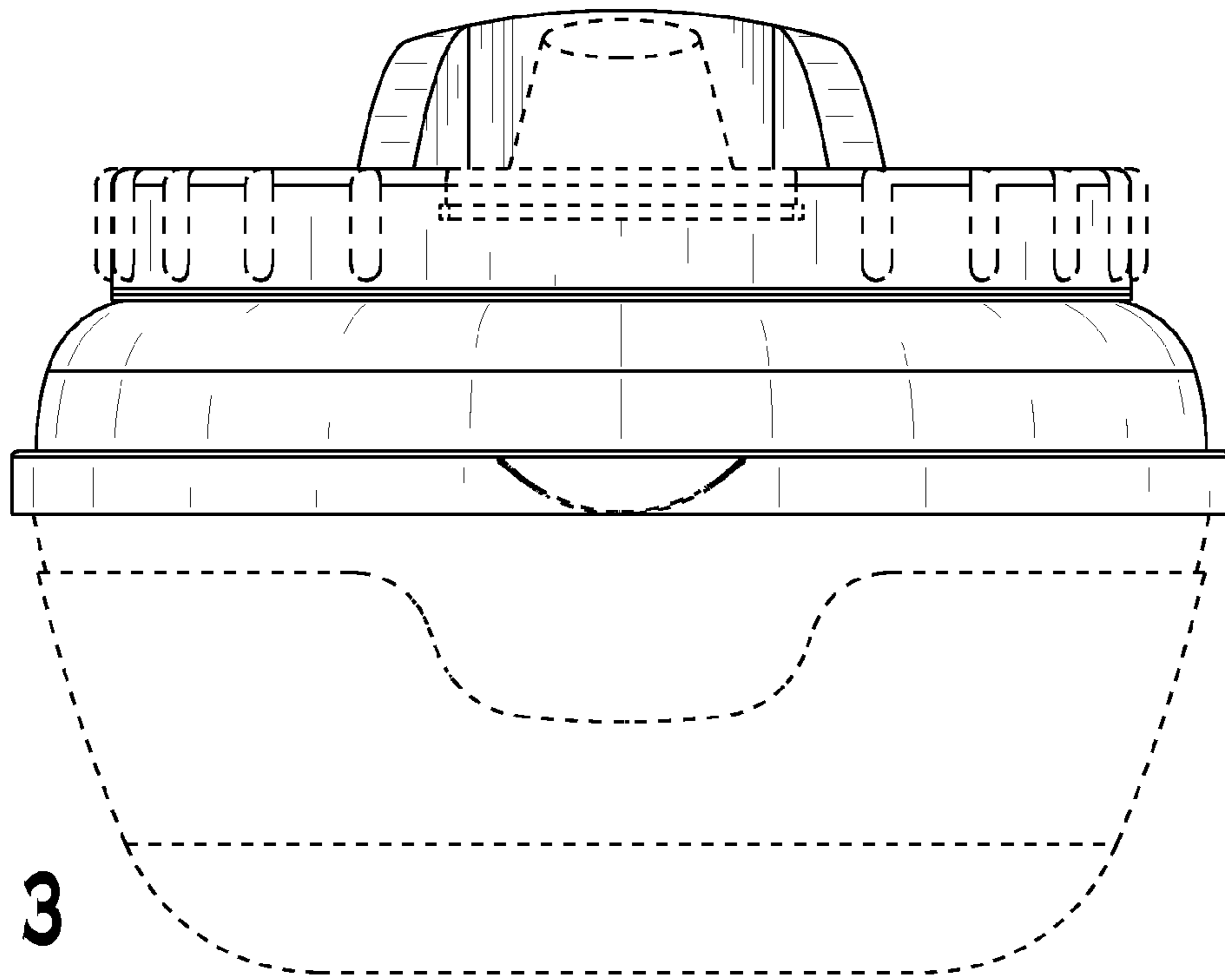


FIG. 3

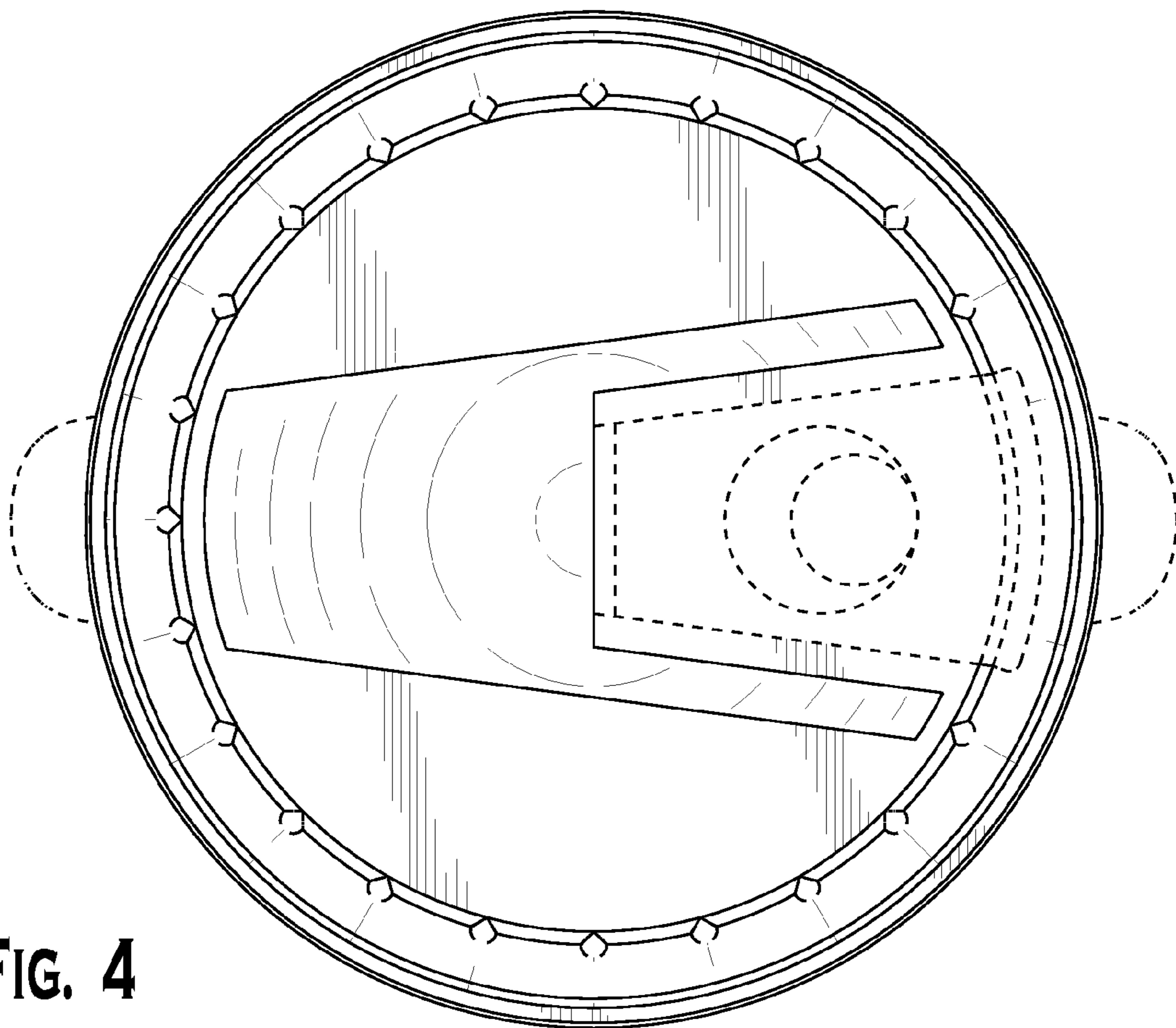
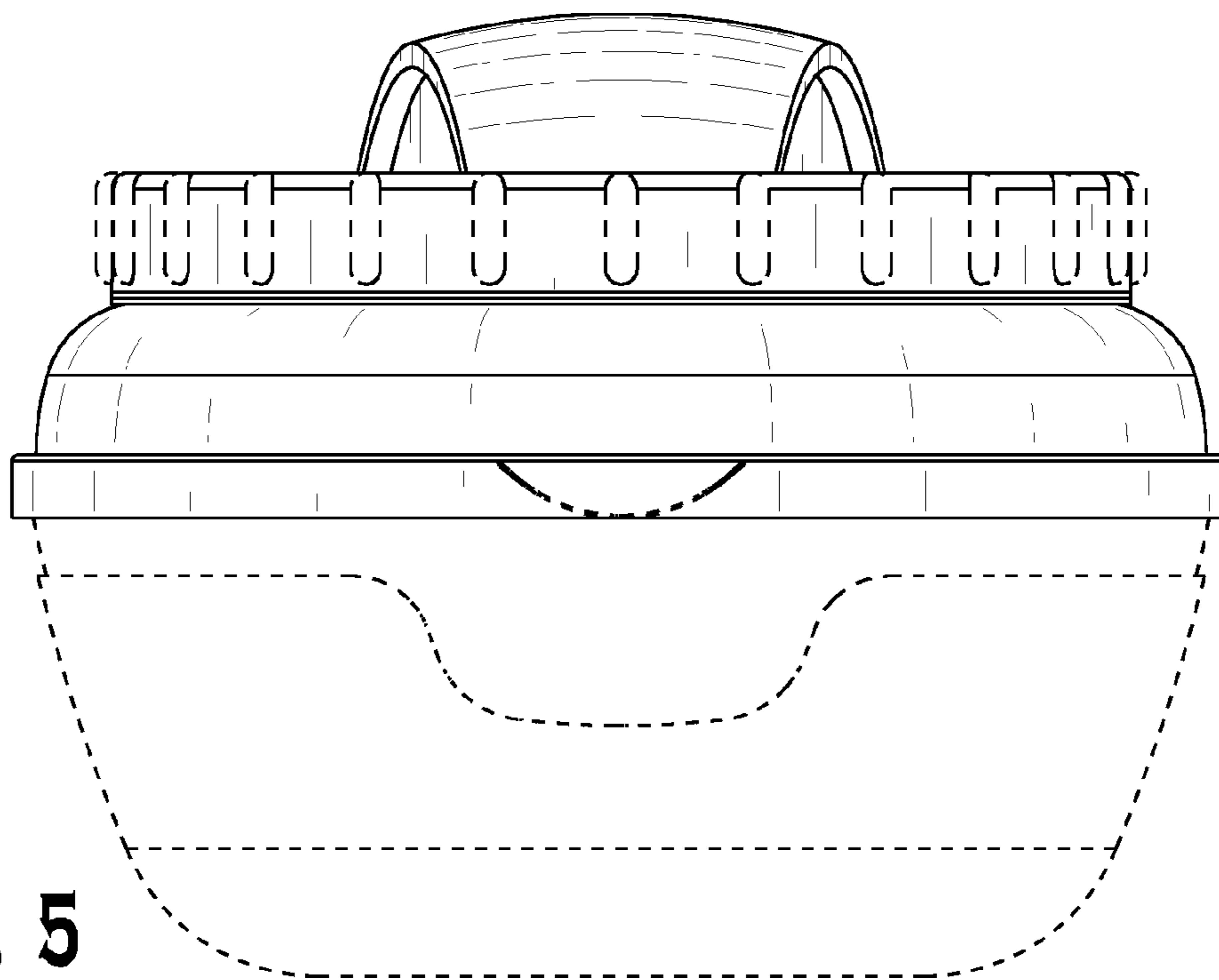
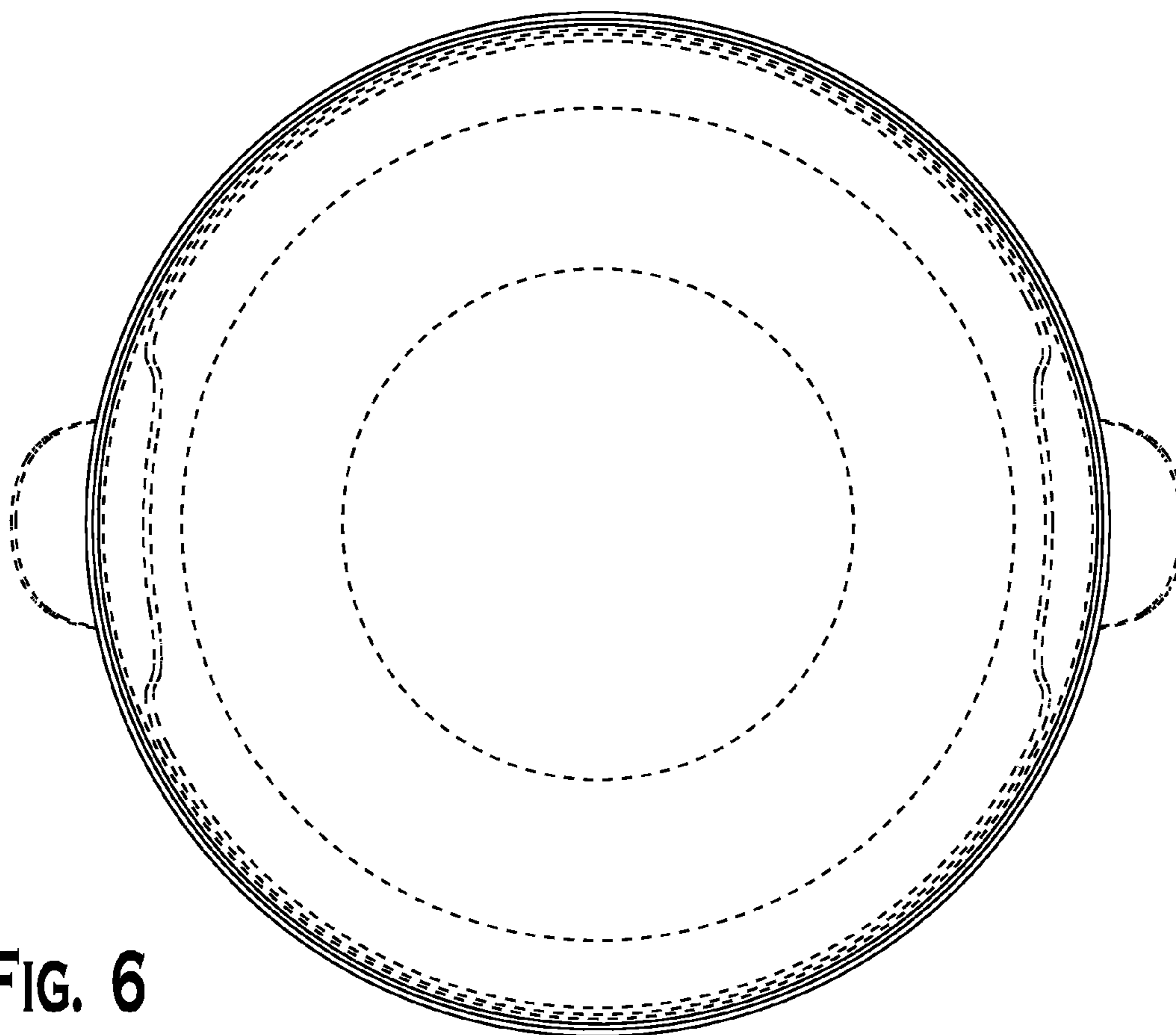


FIG. 4



**FIG. 5**



**FIG. 6**