



US00D604564S

(12) **United States Design Patent**
Walter

(10) **Patent No.:** **US D604,564 S**

(45) **Date of Patent:** **** Nov. 24, 2009**

(54) **CUP HOLDER**

(75) Inventor: **Ivor Michel Walter**, Boulder, CO (US)

(73) Assignee: **AMSA, Inc.**, Boulder, CO (US)

(**) Term: **14 Years**

(21) Appl. No.: **29/337,228**

(22) Filed: **May 18, 2009**

(51) **LOC (9) Cl.** **07-06**

(52) **U.S. Cl.** **D7/620**

(58) **Field of Classification Search** D7/619.1-625;
20/737; 248/311.2, 311.3, 312.1; D6/512,
D6/535, 559; D12/411, 419, 420; 211/74

See application file for complete search history.

(56) **References Cited**

U.S. PATENT DOCUMENTS

D228,304 S *	9/1973	Lerew	D7/620
4,721,216 A *	1/1988	Kinder	215/393
D307,852 S *	5/1990	Clark	D7/620
D344,876 S *	3/1994	Vandergon	D7/620
D361,017 S *	8/1995	Keven	D7/619.1
D365,250 S *	12/1995	Bergin et al.	D7/620
D369,526 S *	5/1996	Colton	D7/620
D391,452 S *	3/1998	Huebert	D7/620
D398,127 S *	9/1998	Bergin et al.	D34/27
5,813,644 A *	9/1998	Bergin	248/311.2
5,938,091 A	8/1999	Bergin et al.		

D425,012 S *	5/2000	Bergin	D12/419
D445,308 S *	7/2001	Oxley	D7/620
D548,015 S *	8/2007	Bergin	D7/620

* cited by examiner

Primary Examiner—Ian Simmons

Assistant Examiner—Carissa C Fitts

(74) *Attorney, Agent, or Firm*—Margaret Polson; Oppedahl Patent Law Firm LLC

(57) **CLAIM**

The ornamental design for a cup holder, as shown and described.

DESCRIPTION

FIG. 1 is a front perspective view of my new design for a cup holder.

FIG. 2 is a back perspective view of FIG. 1, the mounting holes being shown in dotted lines and do not form part of the claimed design.

FIG. 3 is side elevation view of the right and left sides, which are mirror images, of FIG. 1

FIG. 4 is a top plan view of FIG. 1.

FIG. 5 is a bottom plan view of FIG. 1.

FIG. 6 is a back side elevation view of FIG. 1; and,

FIG. 7 a front side elevation view of FIG. 1.

1 Claim, 2 Drawing Sheets

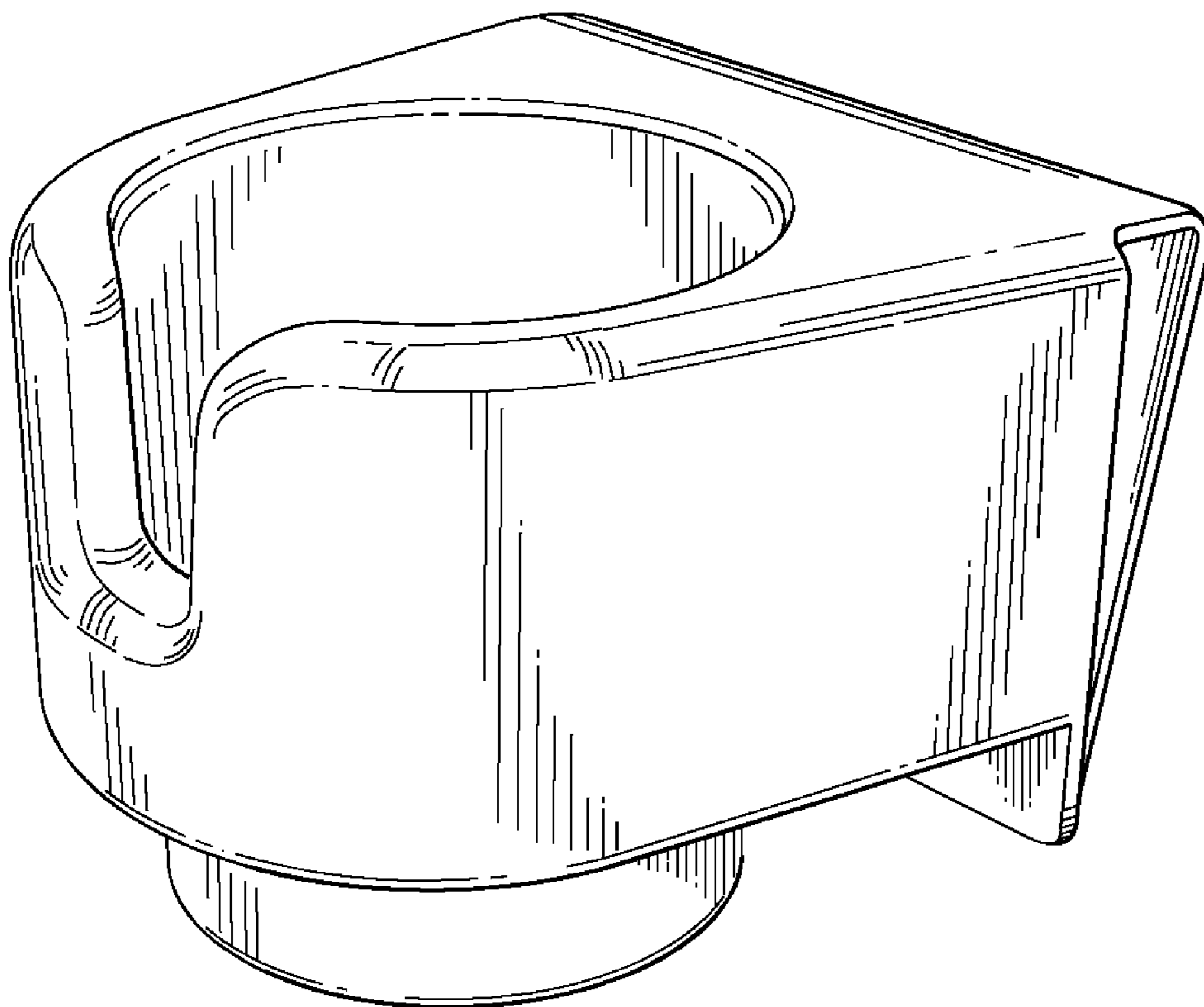


FIG.1

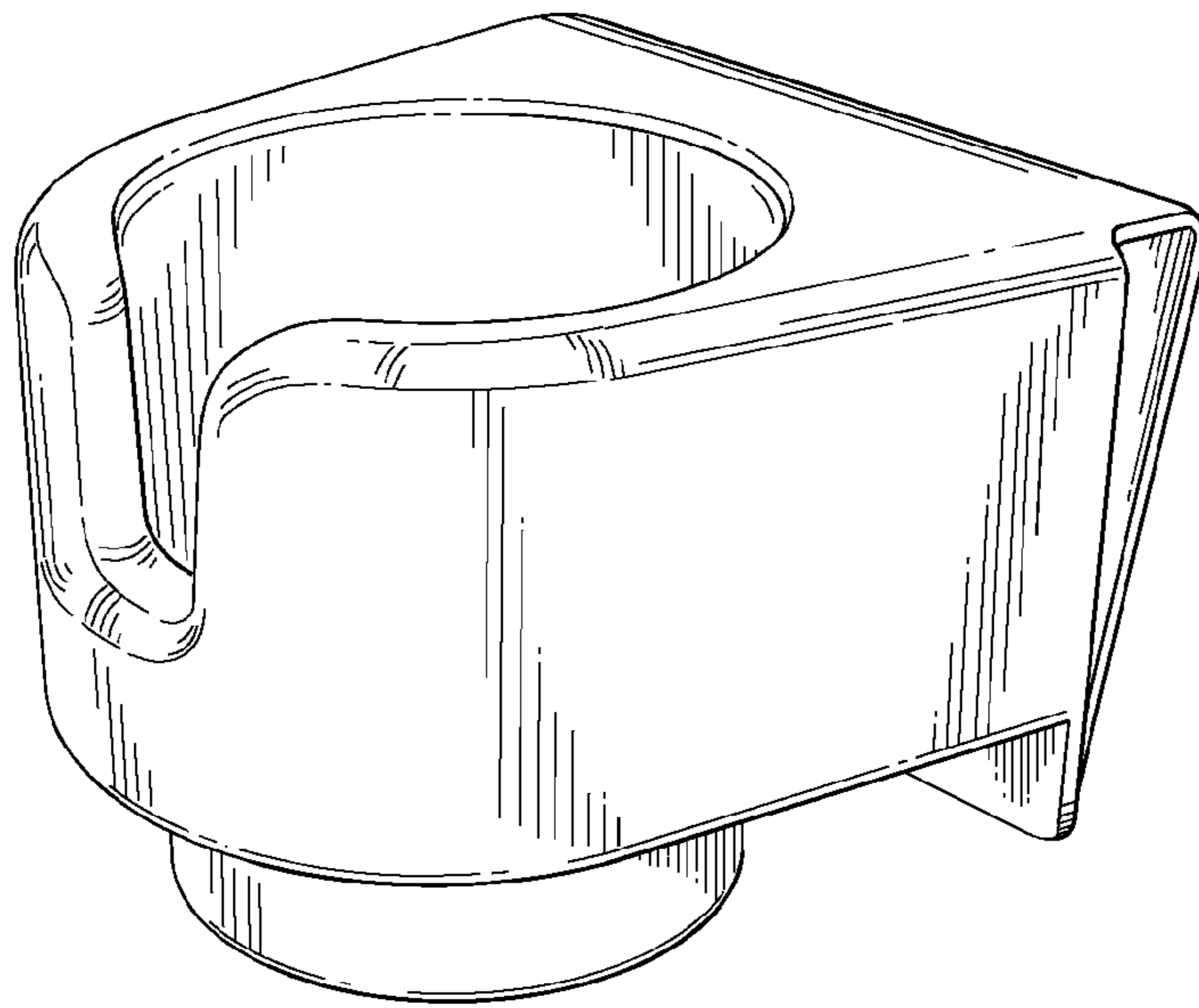


FIG.2

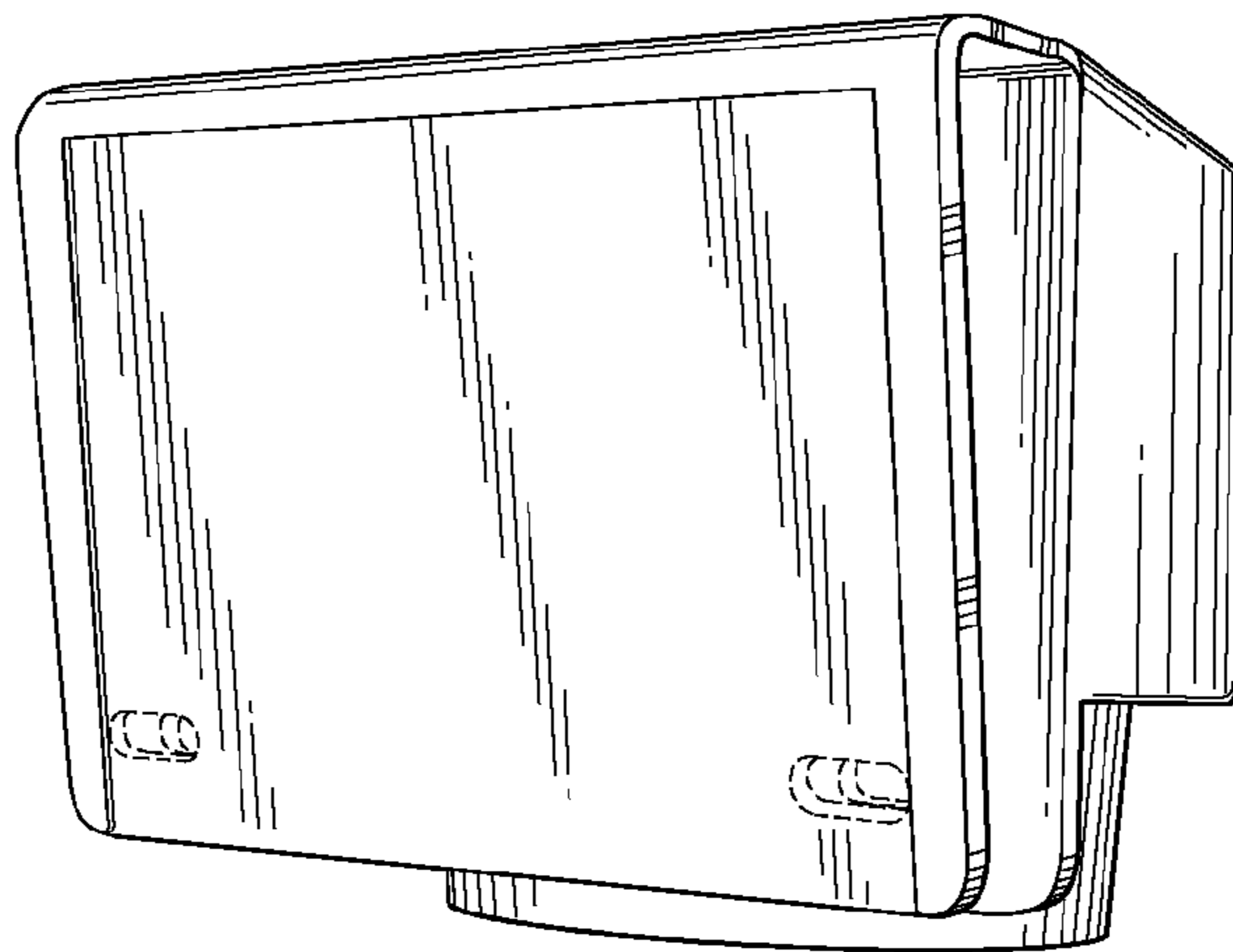
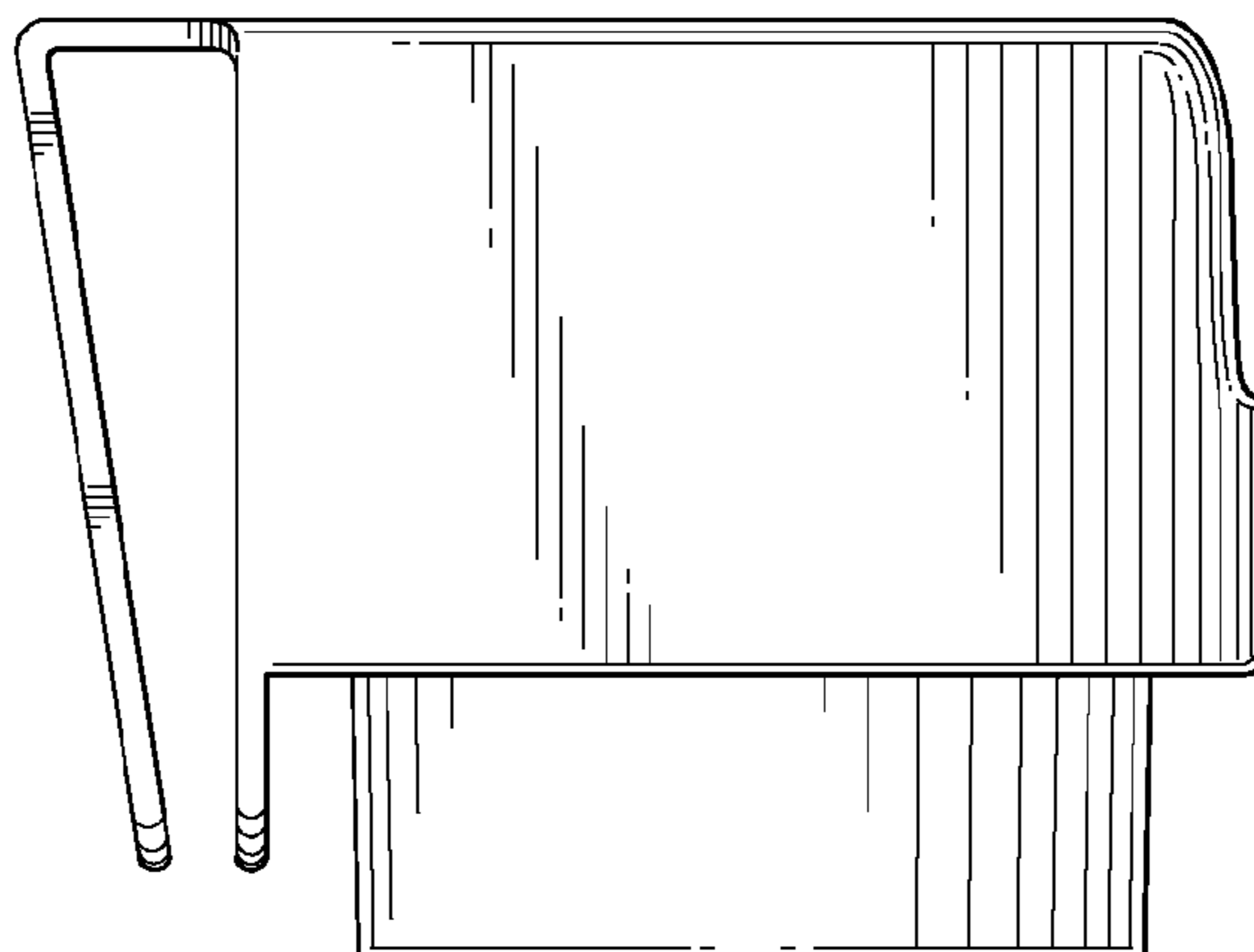


FIG.3



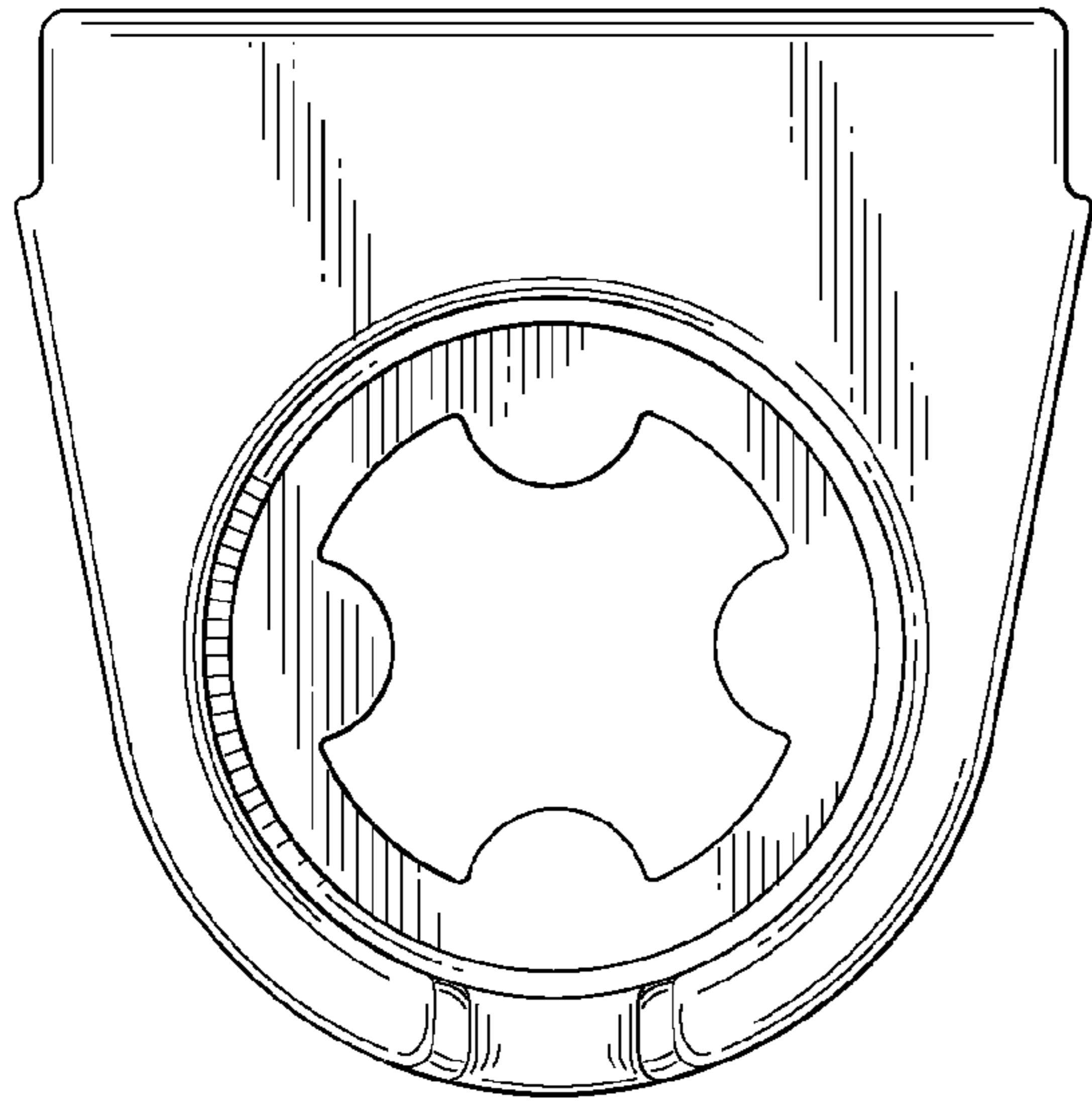


FIG. 4

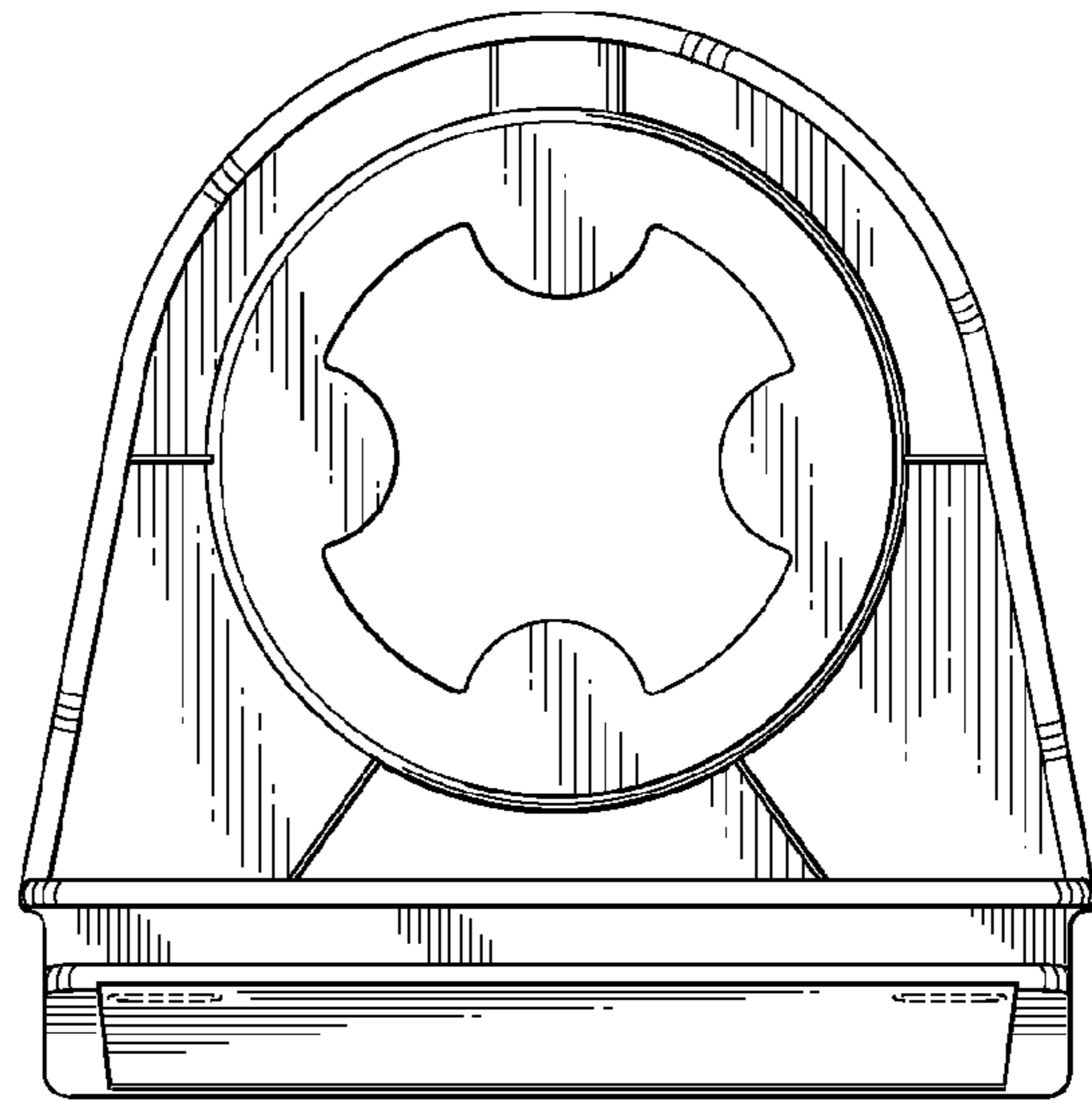


FIG. 5

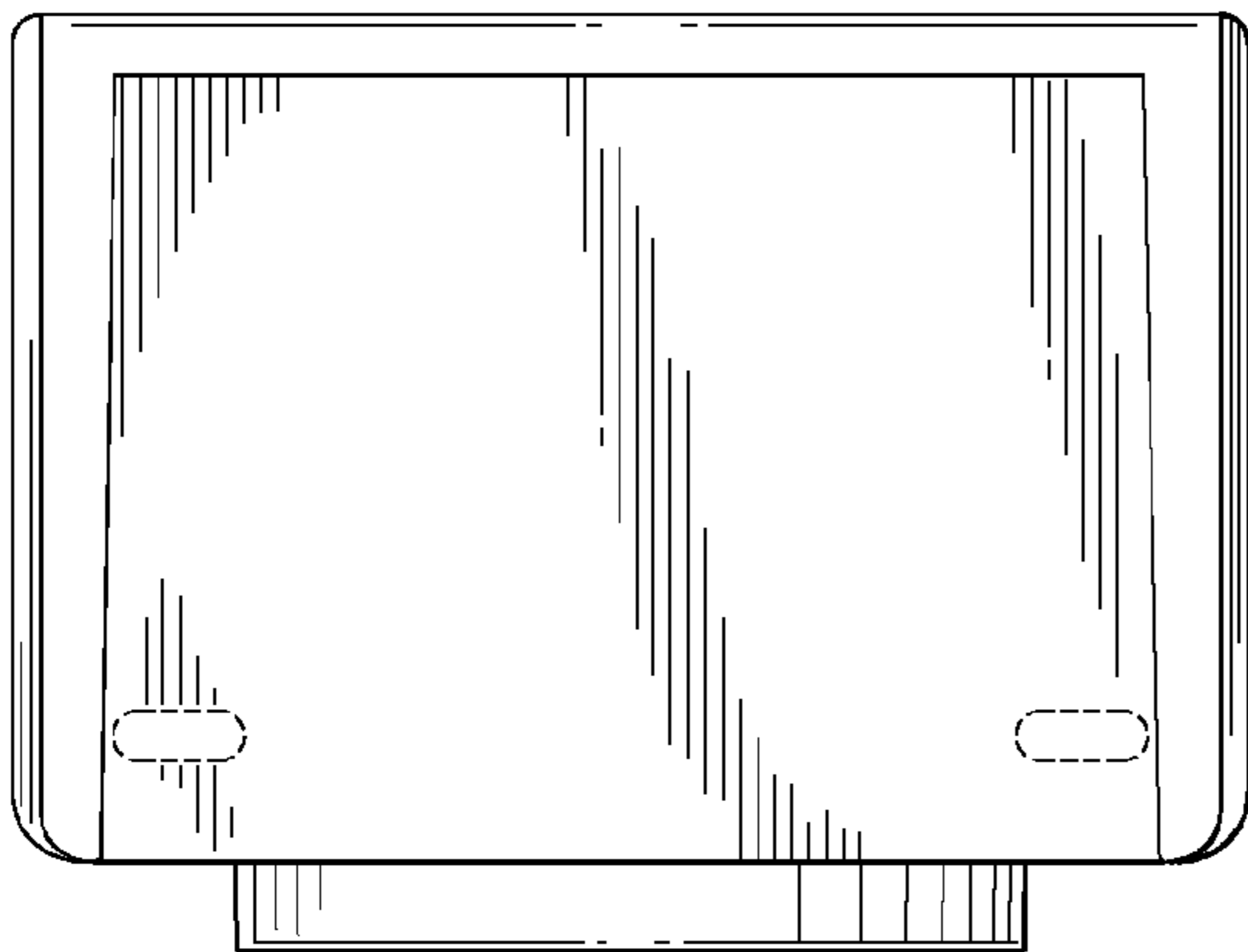


FIG. 6

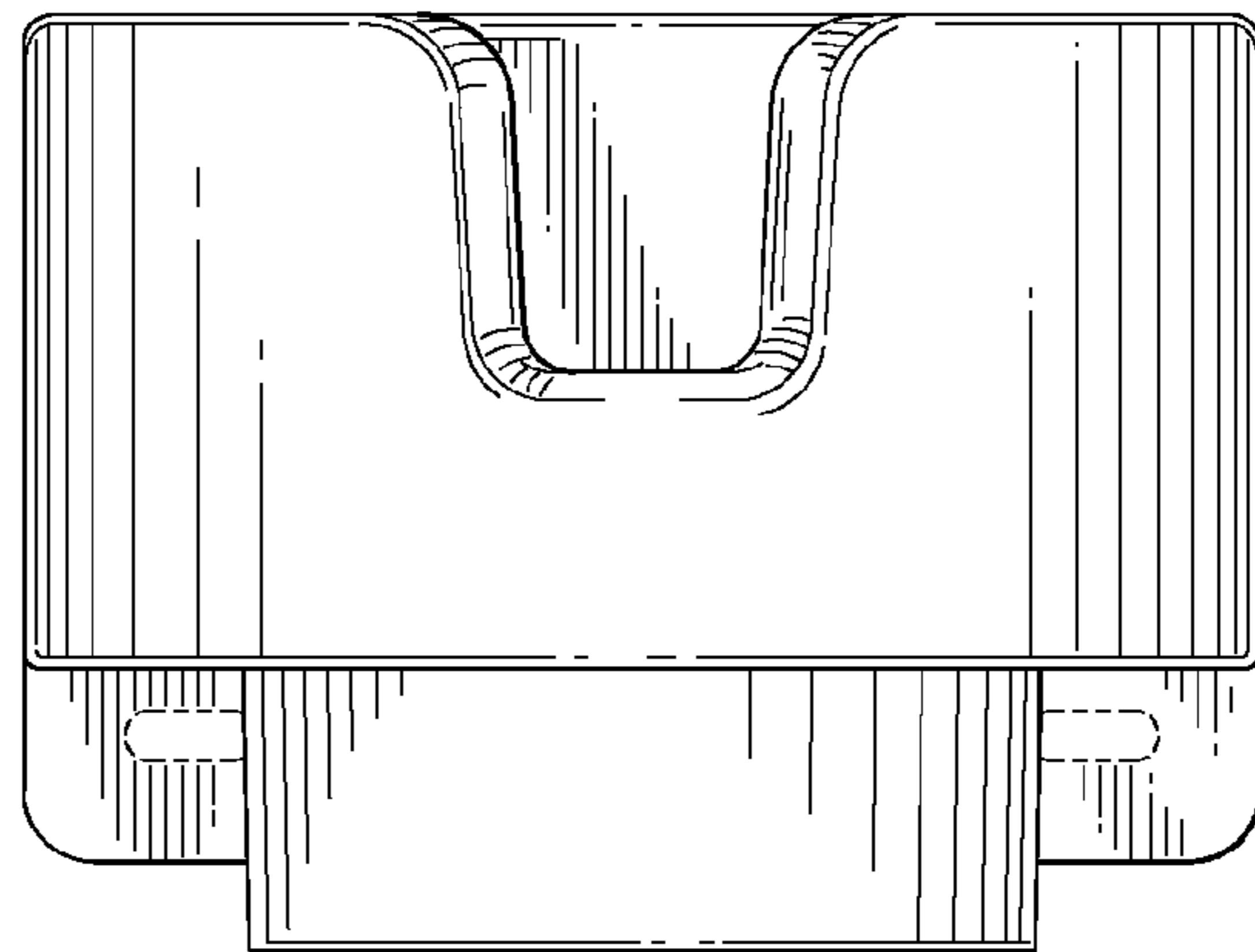


FIG. 7