



US00D604563S

(12) **United States Design Patent**  
**Kipry et al.**

(10) **Patent No.:** **US D604,563 S**

(45) **Date of Patent:** **\*\* Nov. 24, 2009**

(54) **DISH**

(75) Inventors: **Robert Kipry**, Braunschweig (DE);  
**Jens Bingenheimer**, Braunschweig  
(DE); **Anja Kaiserswerth**, Mering (DE)

(73) Assignee: **Henkel Kommanditgesellschaft auf  
Aktien (Henkel KGaA)**, Düsseldorf  
(DE)

(\*\*) Term: **14 Years**

(21) Appl. No.: **29/322,144**

(22) Filed: **Jul. 30, 2008**

(30) **Foreign Application Priority Data**

Feb. 12, 2008 (EM) ..... 000877162

(51) **LOC (9) Cl.** ..... **07-01**

(52) **U.S. Cl.** ..... **D7/584; D7/566; D7/543**

(58) **Field of Classification Search** ..... D7/543,  
D7/545, 546, 549, 550.1, 553.6, 554.1, 584,  
D7/586, 587, 566; 206/507, 557, 561-564,  
206/565; 229/407; 220/574, 659, 23.83;  
D9/457, 759, 713, 716, 501, 517; 294/172  
See application file for complete search history.

(56) **References Cited**

**U.S. PATENT DOCUMENTS**

D229,812 S \* 1/1974 Davis ..... D7/585  
D272,128 S \* 1/1984 Parmentier ..... D9/425  
D311,138 S \* 10/1990 Chanel ..... D9/425  
D317,567 S \* 6/1991 Lane, Sr. .... D9/425  
D317,568 S \* 6/1991 Lane, Sr. .... D9/425

D330,675 S \* 11/1992 Braendli ..... D9/425  
5,447,249 A \* 9/1995 Vickers ..... 220/23.83  
D429,150 S \* 8/2000 Lindsay et al. .... D9/425  
D532,293 S \* 11/2006 Martin ..... D9/425  
D551,910 S \* 10/2007 Rouso et al. .... D7/566  
D556,567 S \* 12/2007 Templeton ..... D9/425  
D575,148 S \* 8/2008 Sagel ..... D9/425  
D579,769 S \* 11/2008 Lipinski et al. .... D9/425

\* cited by examiner

*Primary Examiner*—Charles A Rademaker  
(74) *Attorney, Agent, or Firm*—Paul & Paul

(57) **CLAIM**

The ornamental design for the dish, as shown and described.

**DESCRIPTION**

FIG. 1 is a top and front perspective view of a dish of our new design.

FIG. 2 is a right side elevational view of the dish of FIG. 1;

FIG. 3 is a left side elevational view of the dish of FIG. 1;

FIG. 4 is a front elevational view of the dish of FIG. 1;

FIG. 5 is a rear elevational view of the dish of FIG. 1;

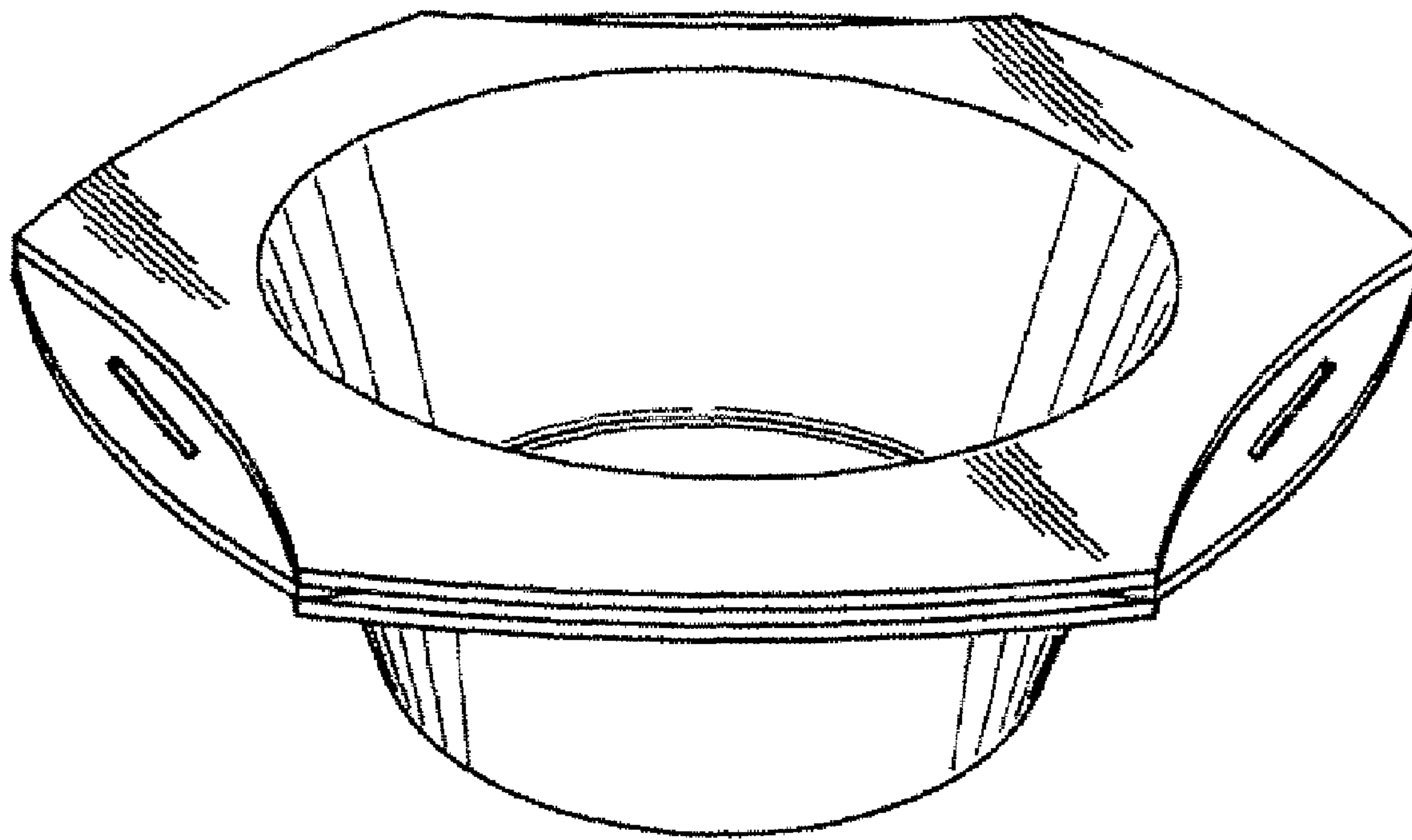
FIG. 6 is a top view of the dish of FIG. 1;

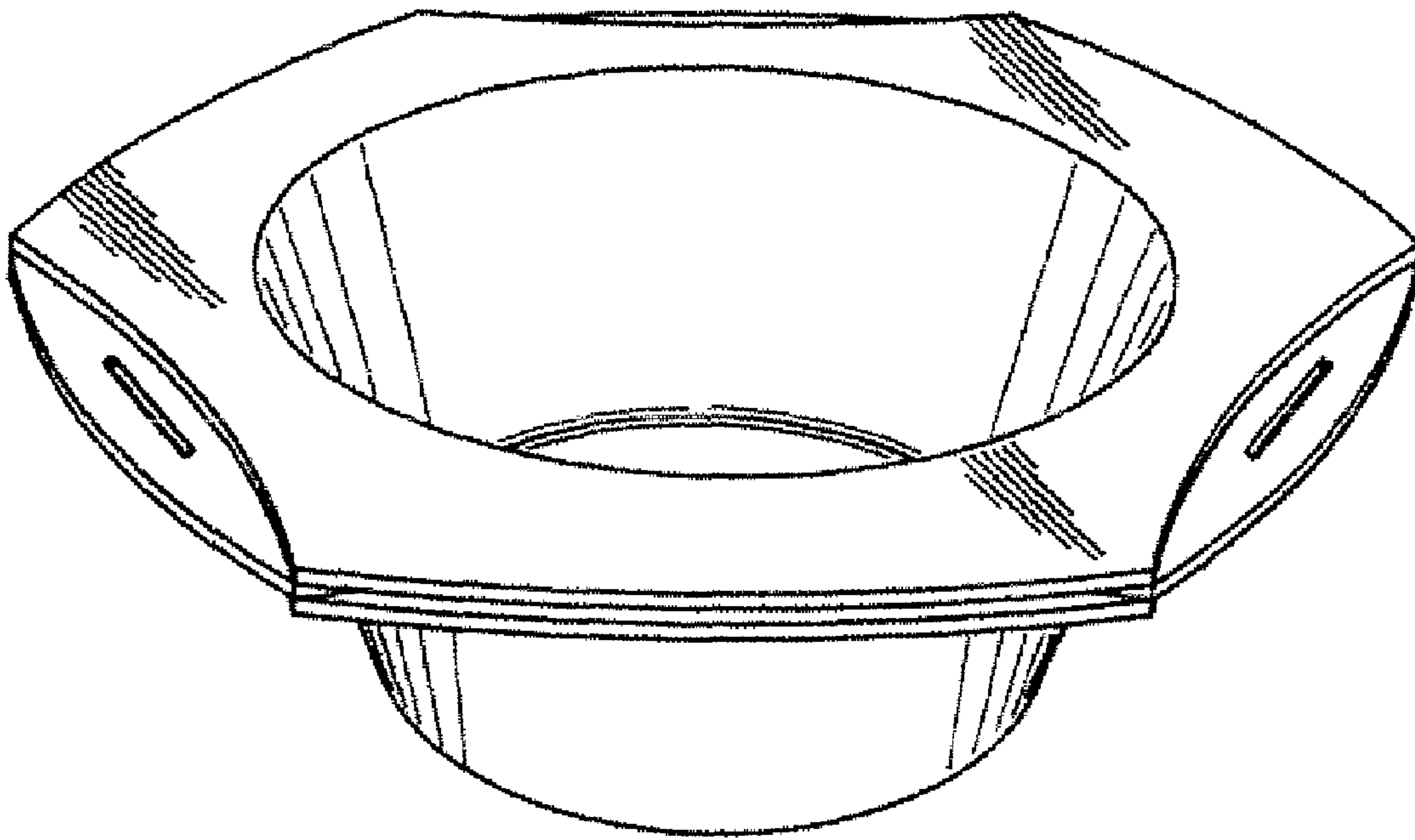
FIG. 7 is a bottom view of the dish of FIG. 1;

FIG. 8 is another top perspective view thereof with broken lines showing plural dishes that are included for the purpose of illustrating environment forming no part of the claimed design; and,

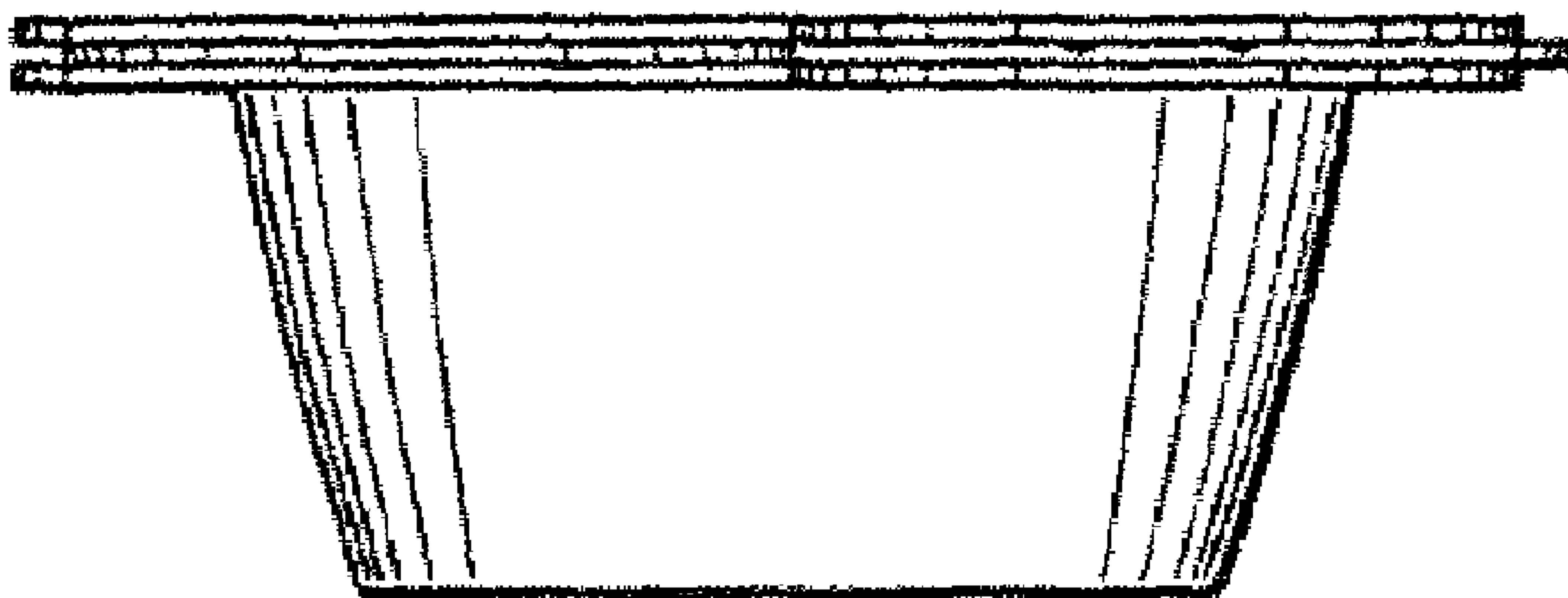
FIG. 9 is a top plan view thereof.

**1 Claim, 9 Drawing Sheets**

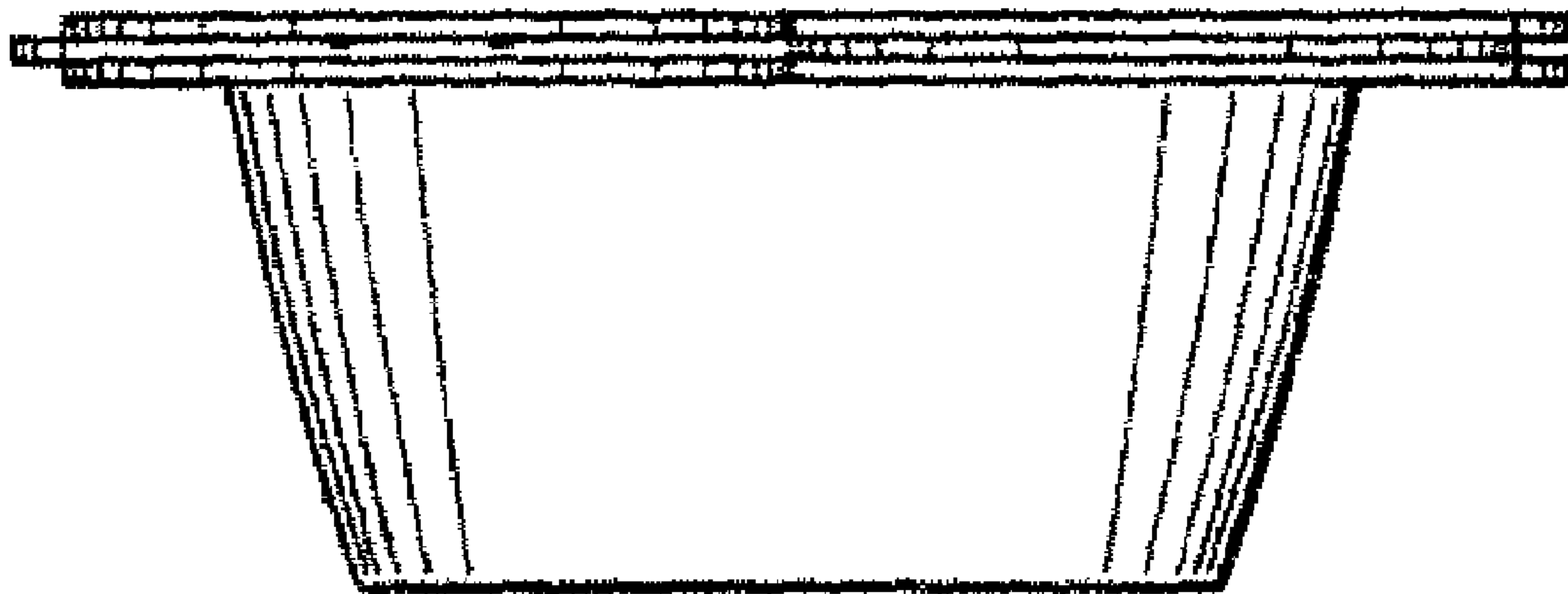




*Fig. 1*



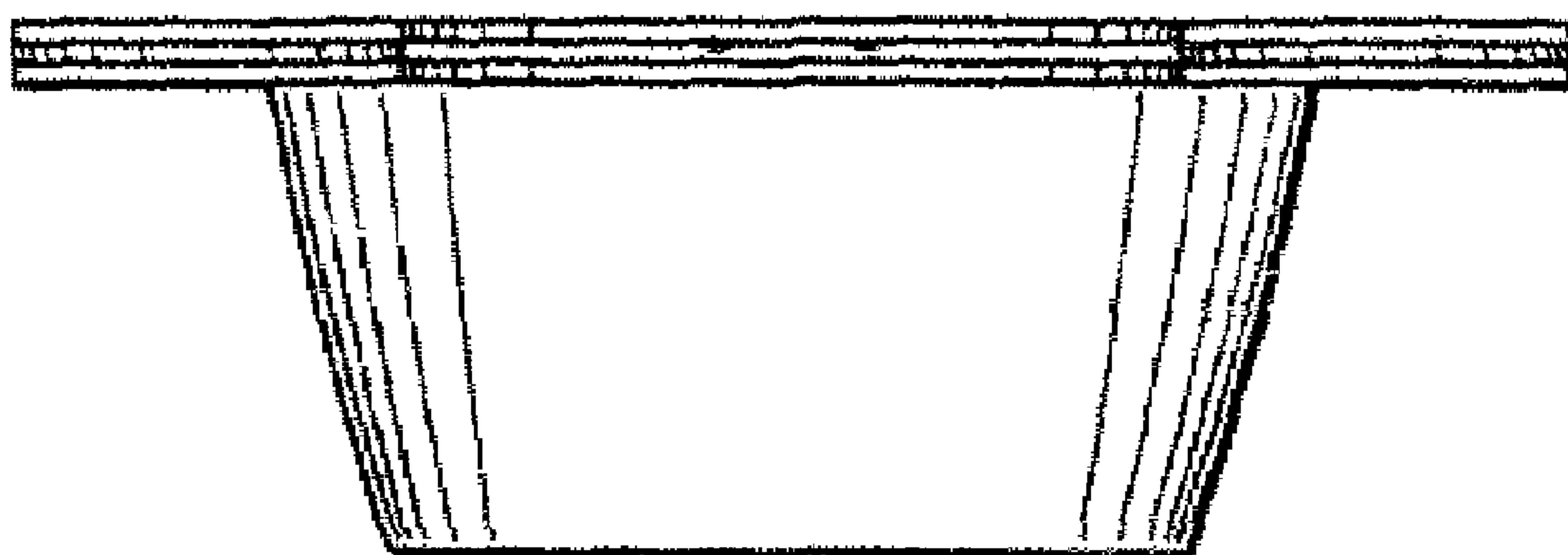
*Fig. 2*



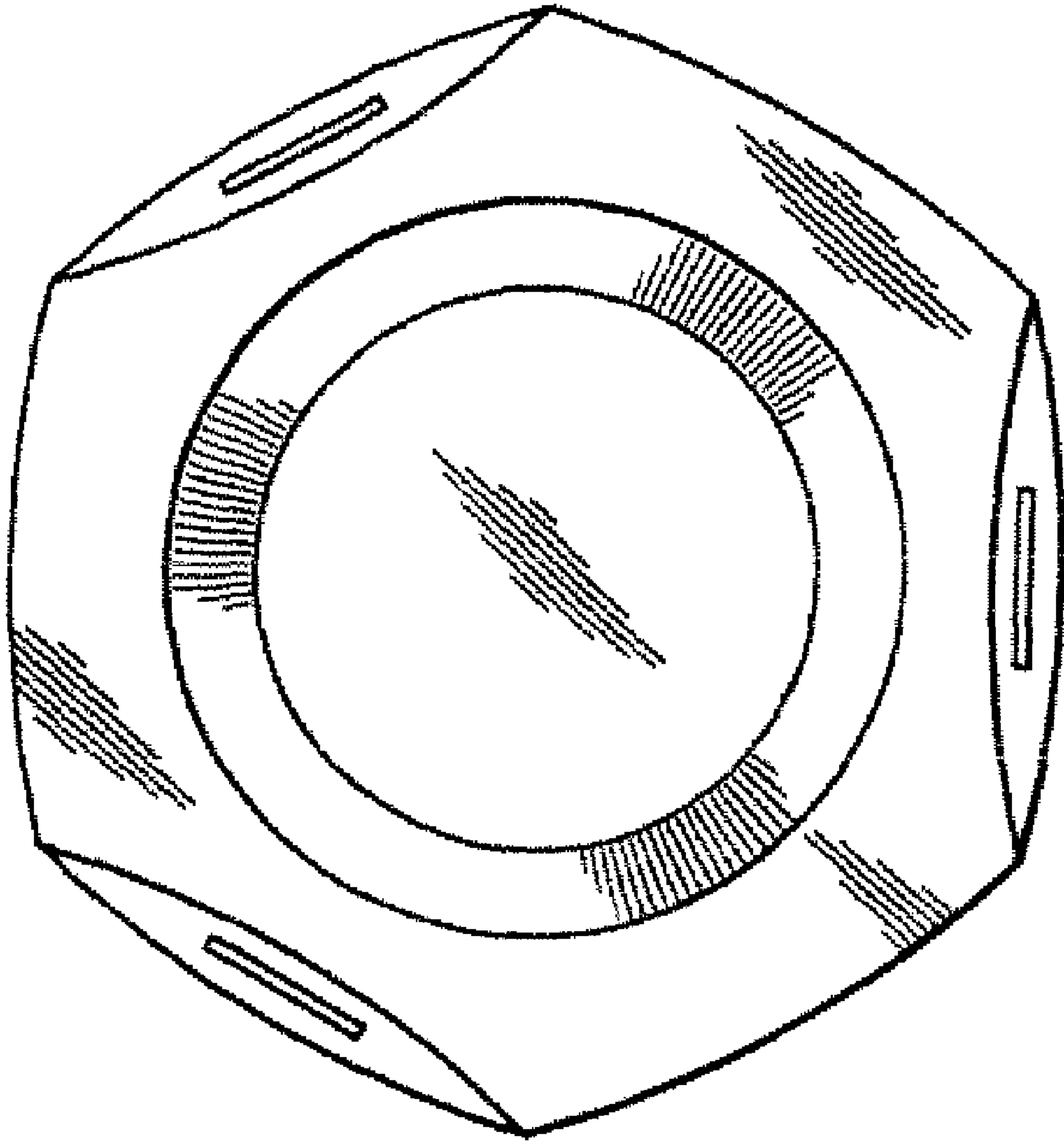
*Fig. 3*



*Fig. 4*

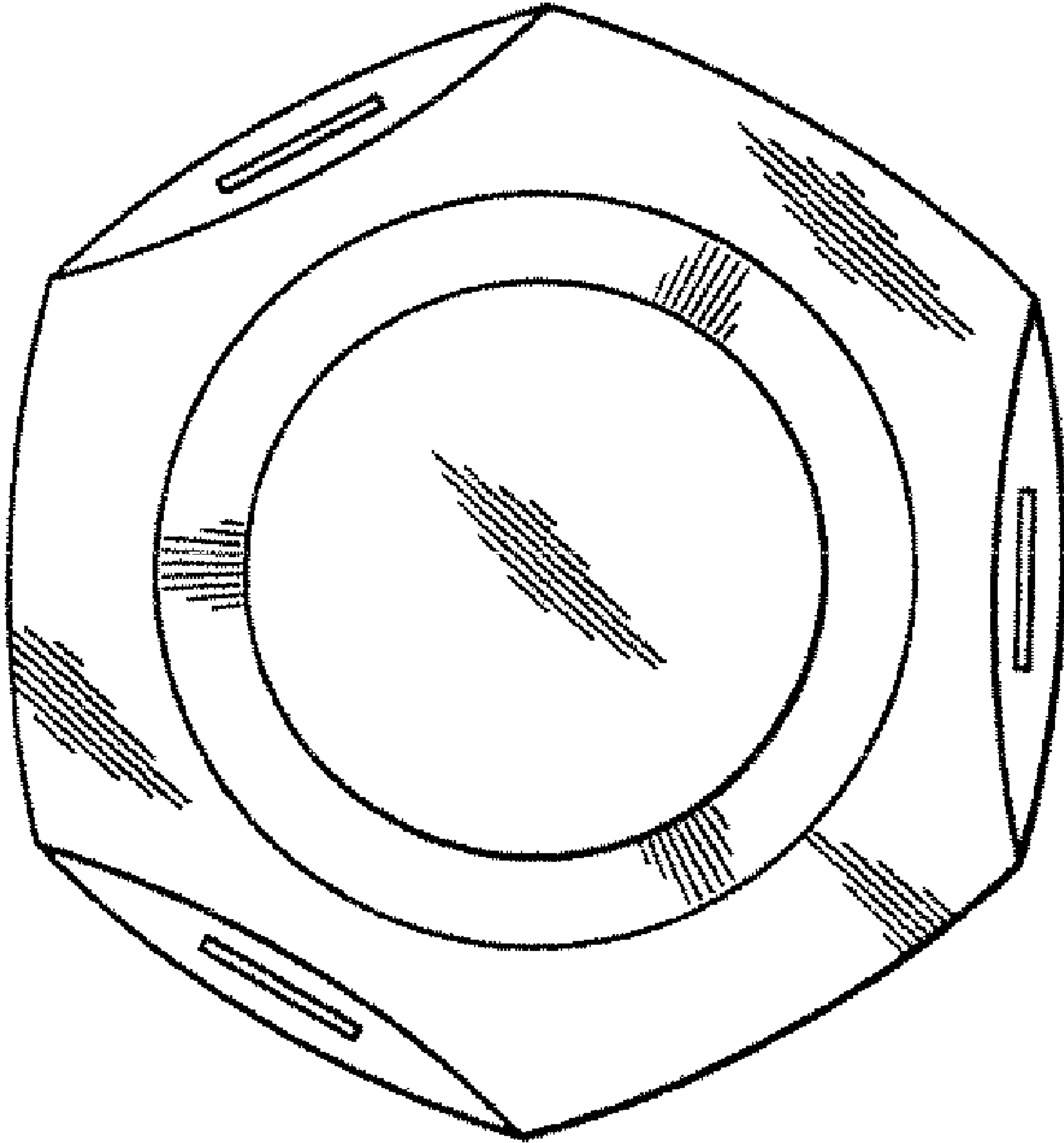


*Fig. 5*



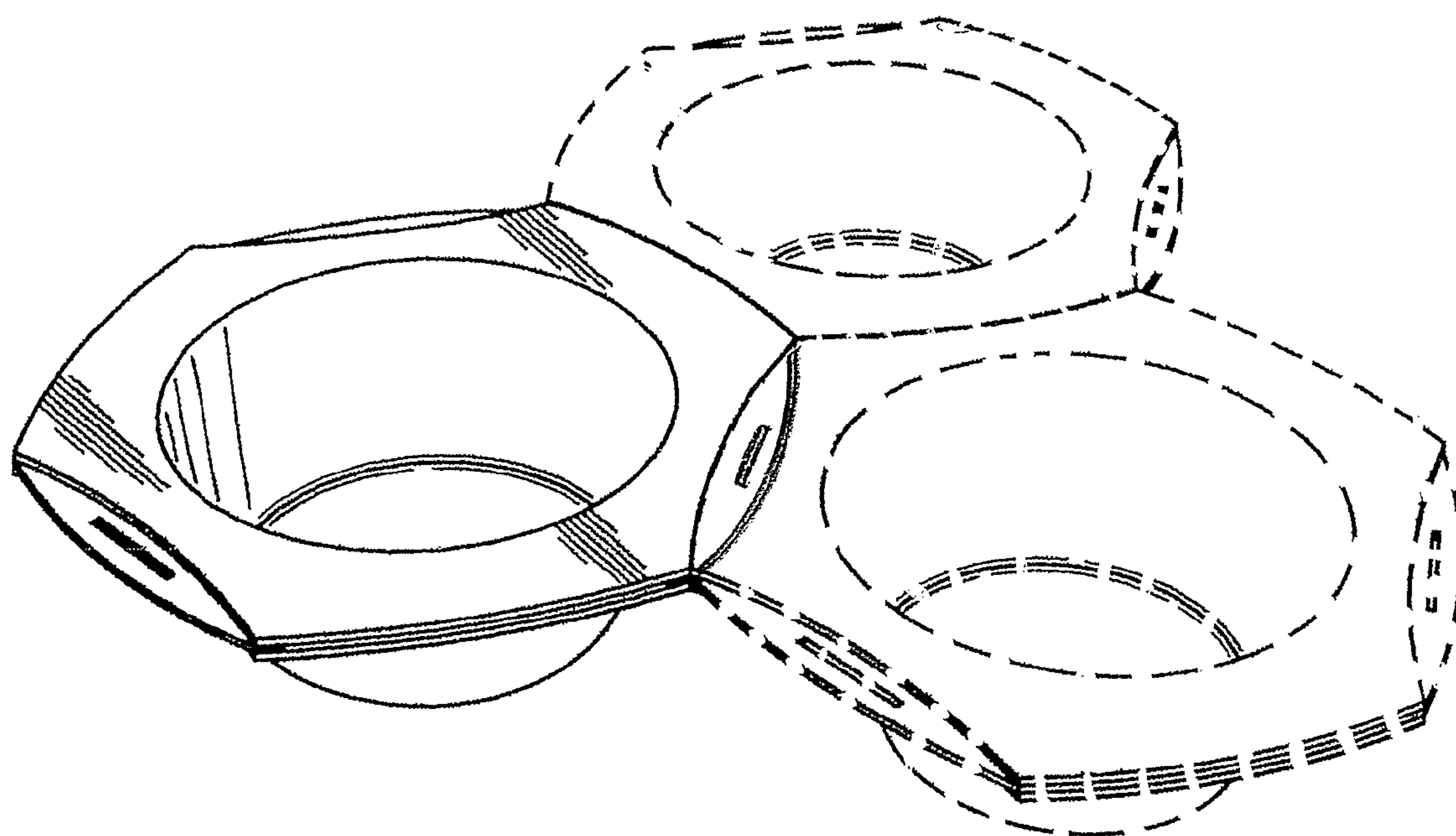
*Fig. 6*





*Fig. 7*





*Fig. 8*

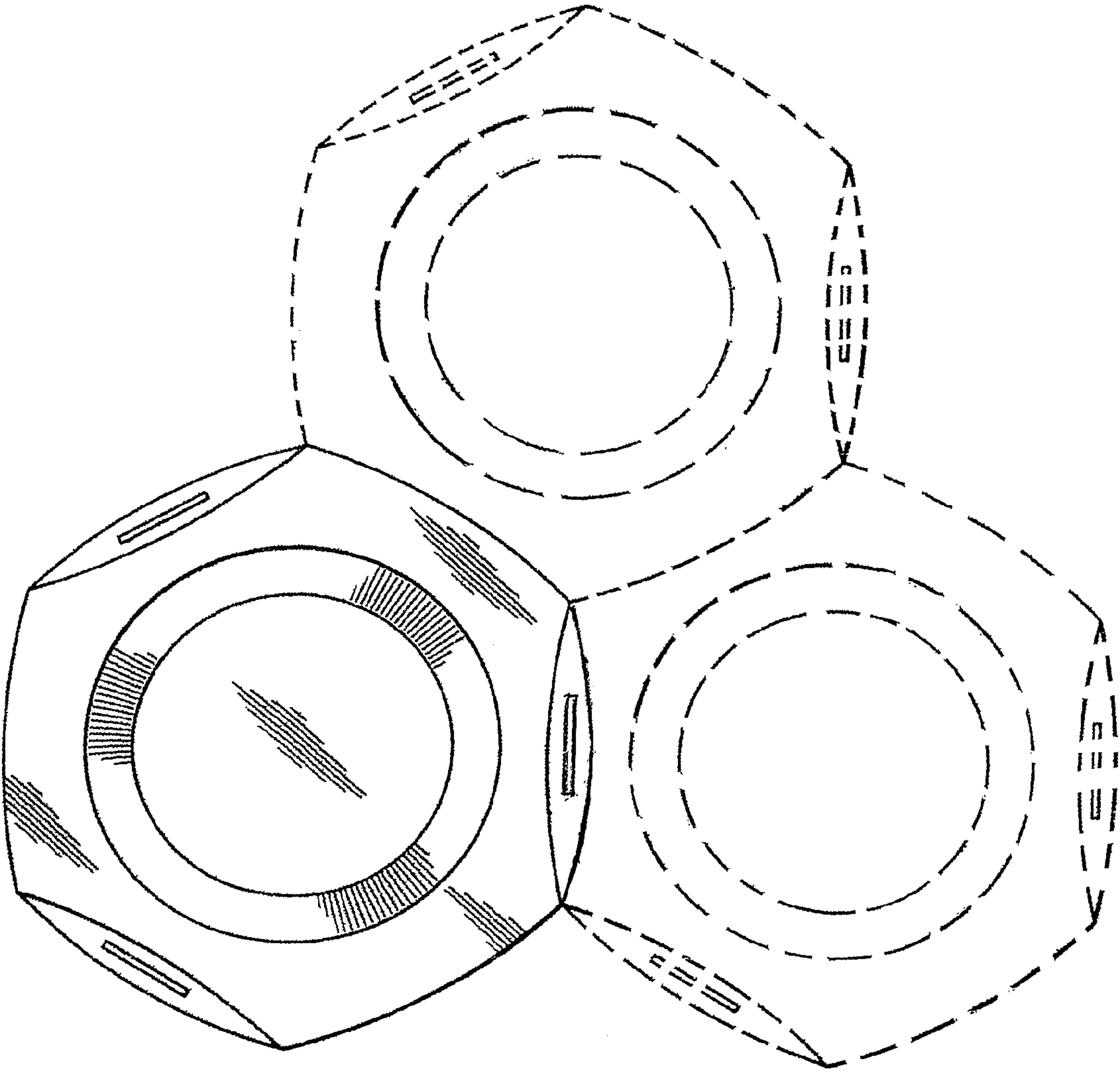


Fig. 9