



US00D604561S

(12) **United States Design Patent**
Chisholm

(10) **Patent No.:** **US D604,561 S**

(45) **Date of Patent:** **** Nov. 24, 2009**

(54) **METAL SPORT BOTTLE WITH WIDE MOUTH**

(76) Inventor: **Philip Patrick Chisholm**, 2104 West 13th Ave, Vancouver, BC (CA) V6K 2S1

(**) Term: **14 Years**

(21) Appl. No.: **29/308,537**

(22) Filed: **Jun. 23, 2008**

(51) **LOC (9) Cl.** **07-01**

(52) **U.S. Cl.** **D7/510; D7/511**

(58) **Field of Classification Search** D7/507-511, D7/523, 615, 392.1, 620, 622; D9/538, 522, D9/504, 905, 724, 447, 500, 776, 609, 446, D9/443, 453; D19/85; 215/12.1; 222/144.5; 229/5.5; 220/592.27, 592.16, 592.17, 715, 220/288, 375; D3/264; D23/207

See application file for complete search history.

(56) **References Cited**

U.S. PATENT DOCUMENTS

- D276,889 S * 12/1984 Biesecker D9/500
- D422,503 S * 4/2000 Lehn D9/503
- D422,916 S * 4/2000 Herrmann D9/501
- 6,079,589 A * 6/2000 Matsuyama et al. 220/715
- D458,134 S * 6/2002 Berish et al. D9/443
- D472,585 S * 4/2003 Freedman et al. D21/334
- D482,607 S * 11/2003 McRae D9/614
- D519,380 S * 4/2006 Leoncavallo et al. D9/530
- 7,048,137 B2 * 5/2006 Leoncavallo et al. 220/288

- D528,921 S * 9/2006 Leoncavallo et al. D9/530
- D537,676 S * 3/2007 Kingsley D7/510
- D539,607 S * 4/2007 Lapsker D7/510
- D539,608 S * 4/2007 Lapsker D7/510
- D542,598 S * 5/2007 Karp D7/510
- D543,454 S * 5/2007 Leoncavallo et al. D9/449
- D572,585 S * 7/2008 Perrin et al. D9/443
- D579,272 S * 10/2008 Pickering et al. D7/510
- D586,184 S * 2/2009 Miller et al. D7/511
- D587,060 S * 2/2009 Tong Chi Chung D7/319
- D596,458 S * 7/2009 McKinney D7/510

* cited by examiner

Primary Examiner—Marianne Pandozzi

(57) **CLAIM**

I claim the ornamental design for a metal sport bottle with wide mouth, as shown and described.

DESCRIPTION

FIG. 1 is a left perspective view of the metal sport bottle with wide mouth;

FIG. 2 is a back view thereof;

FIG. 3 is a front view thereof;

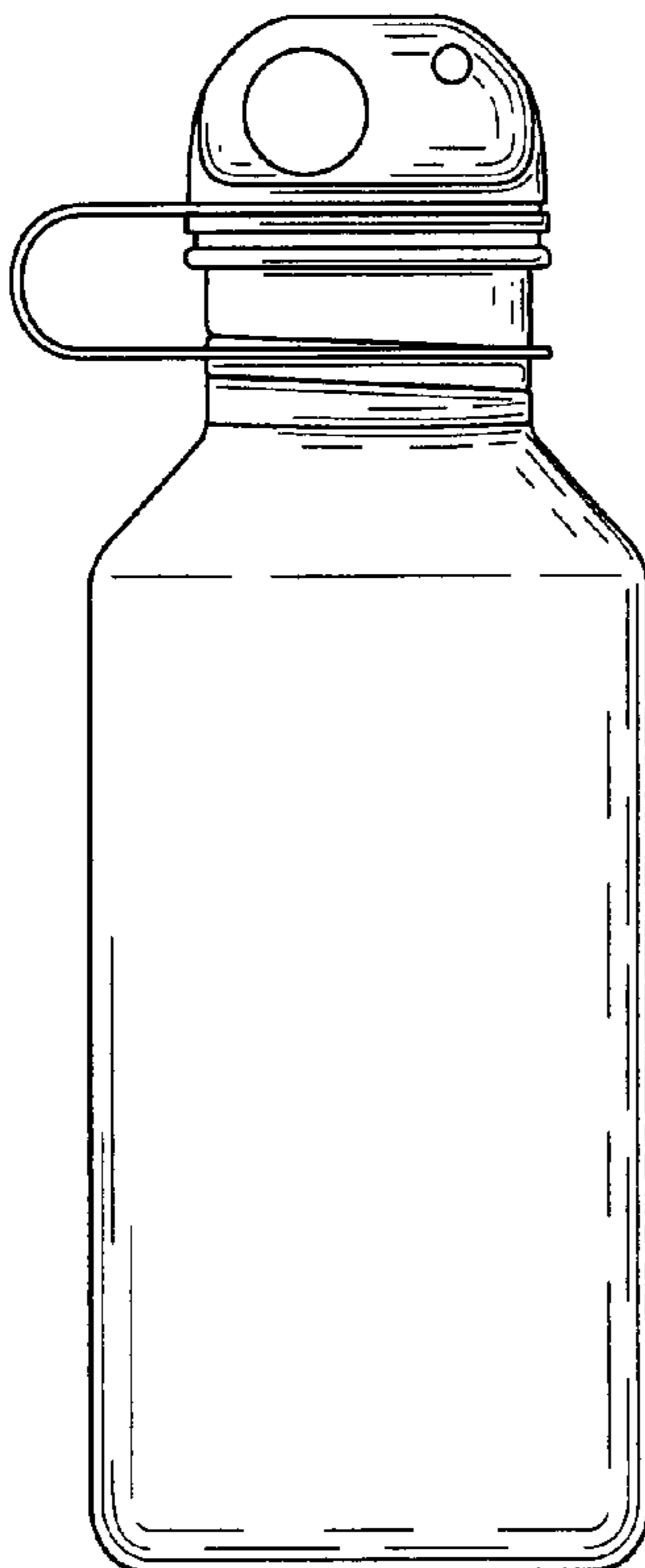
FIG. 4 is a right view thereof;

FIG. 5 is a left view thereof;

FIG. 6 is a top view thereof; and,

FIG. 7 is a bottom view thereof.

1 Claim, 3 Drawing Sheets



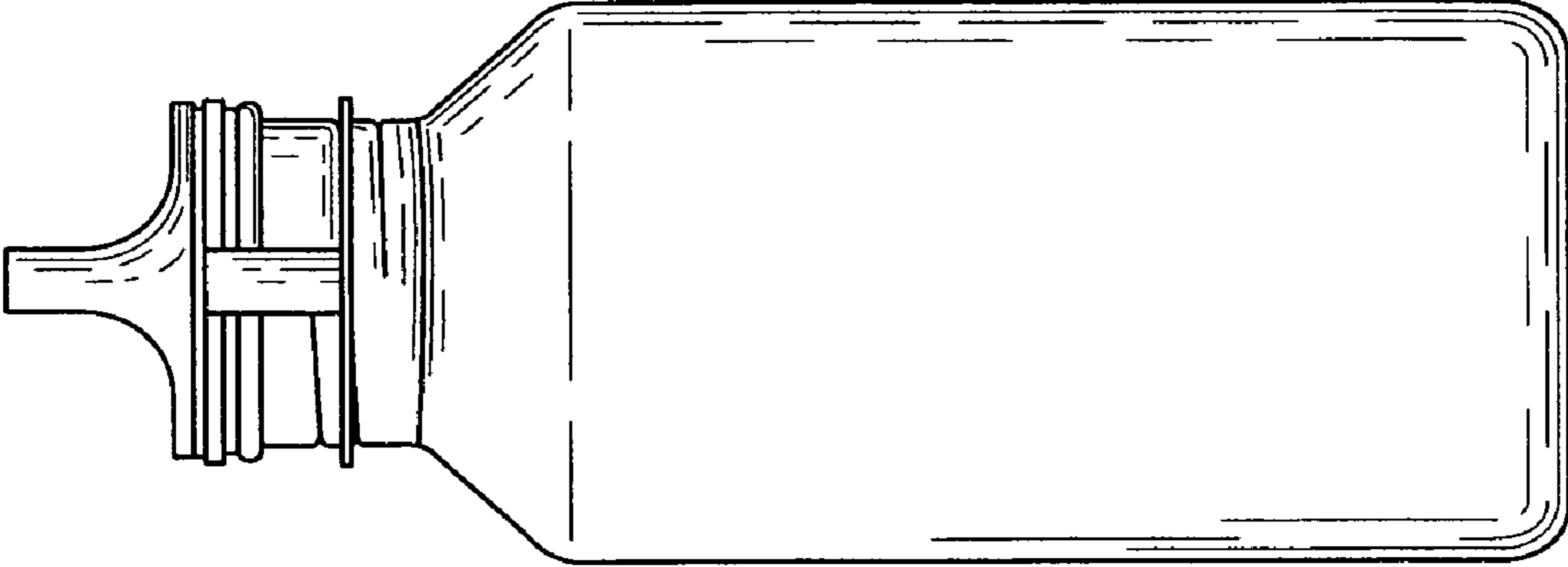


FIG. 2

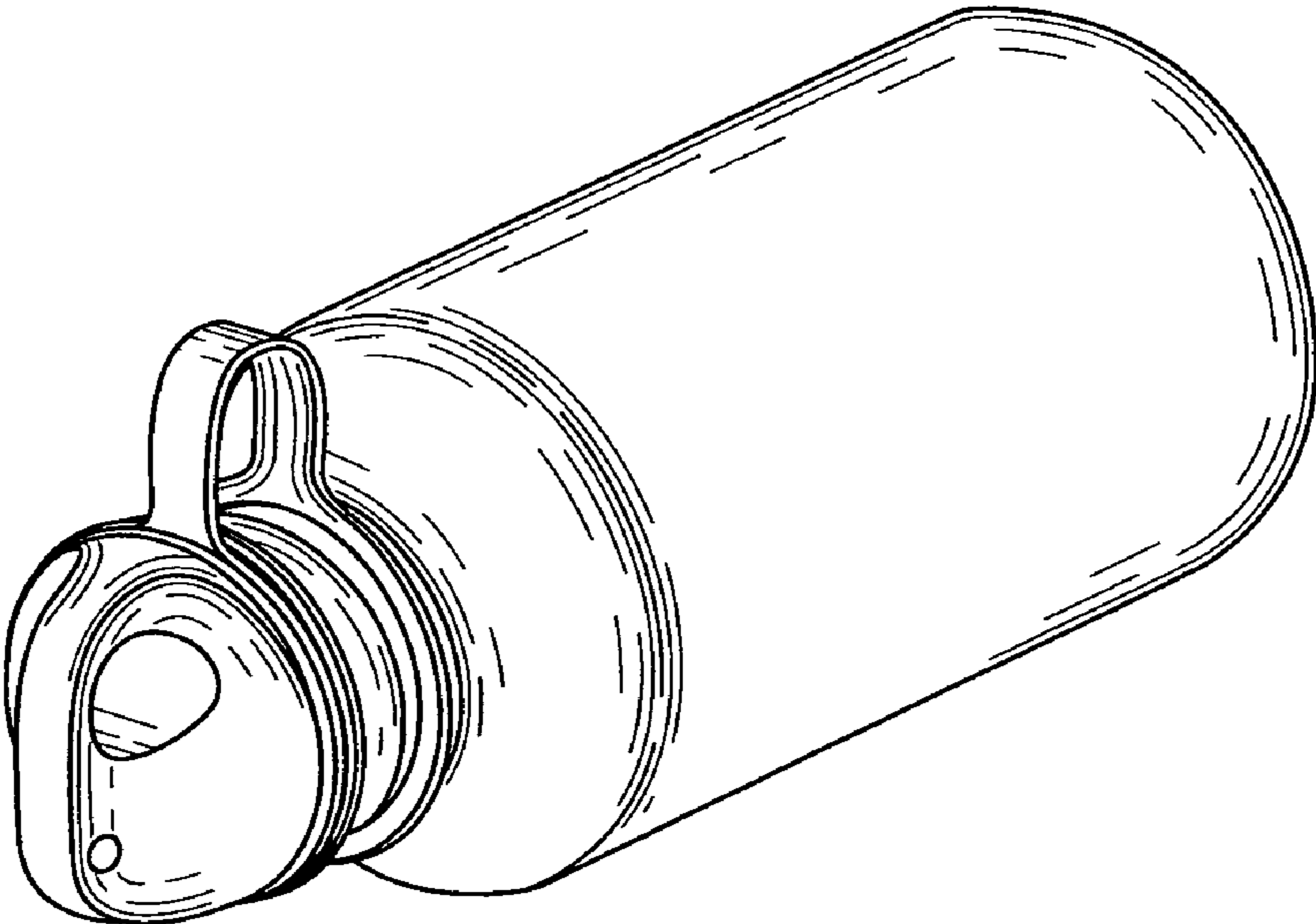


FIG. 1

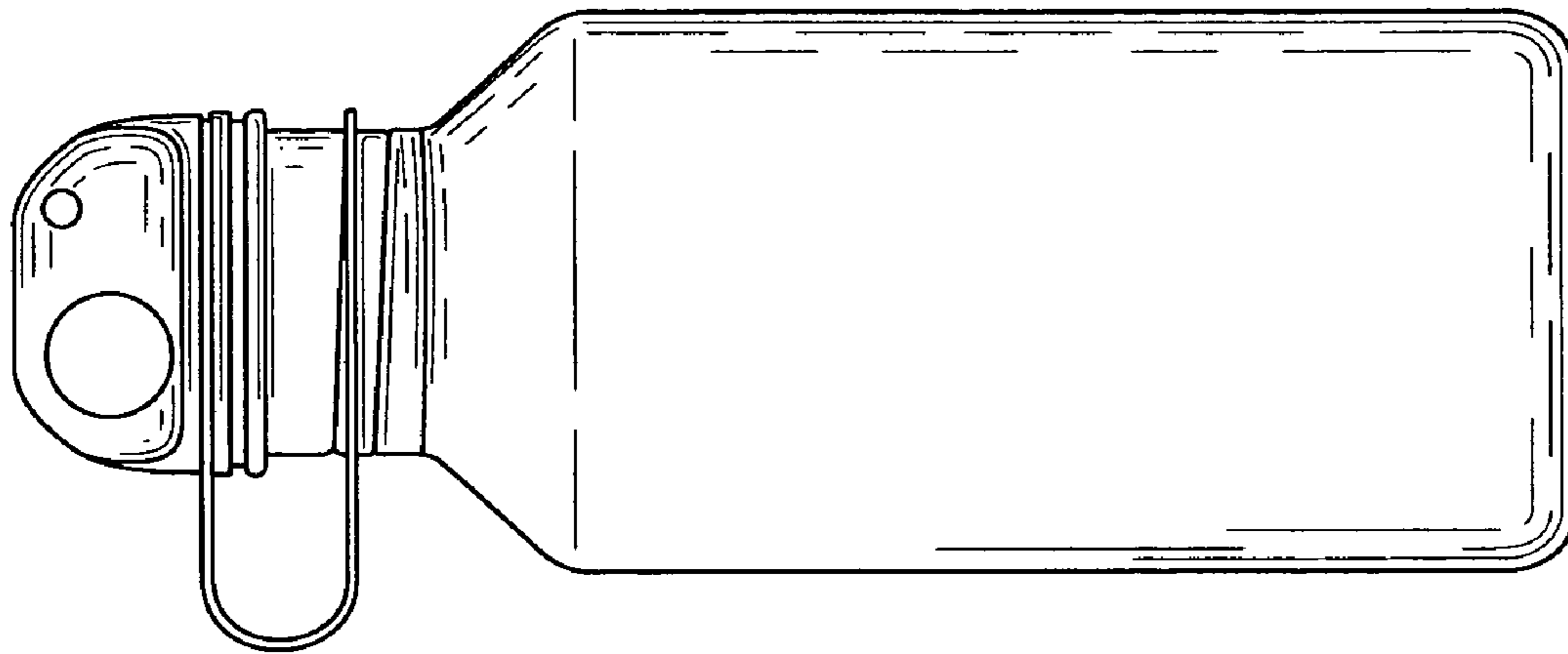


FIG. 4

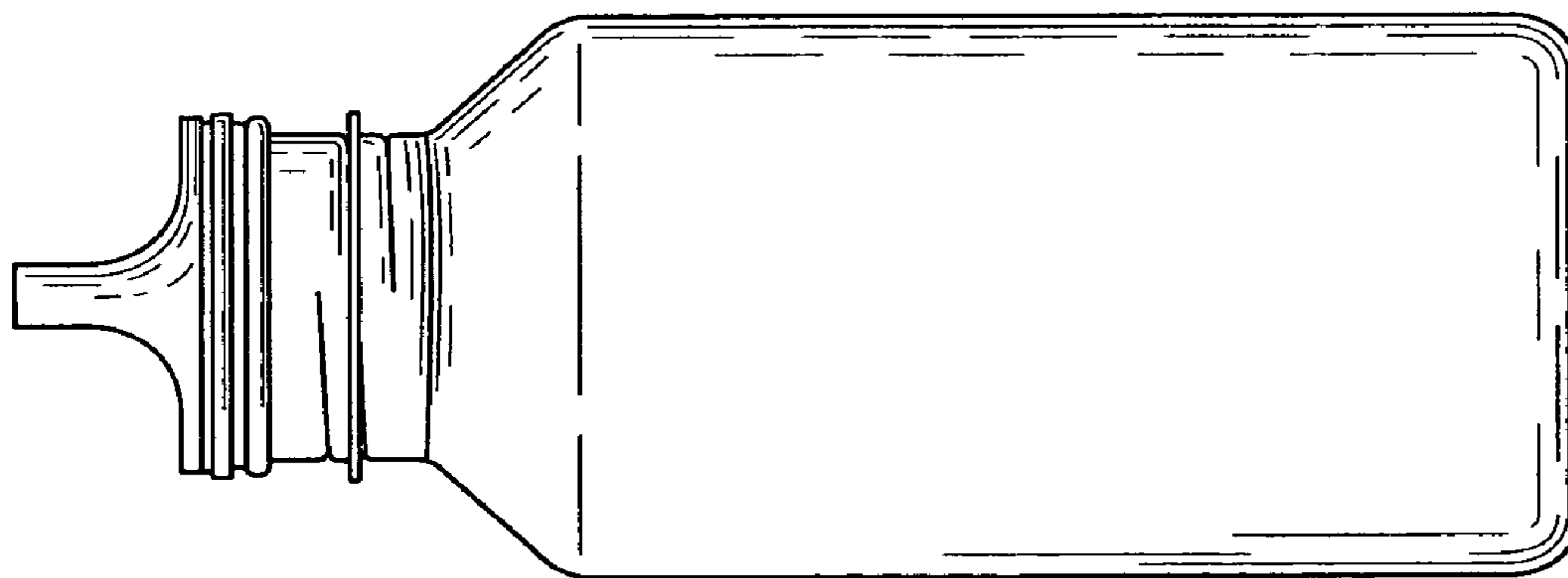


FIG. 3

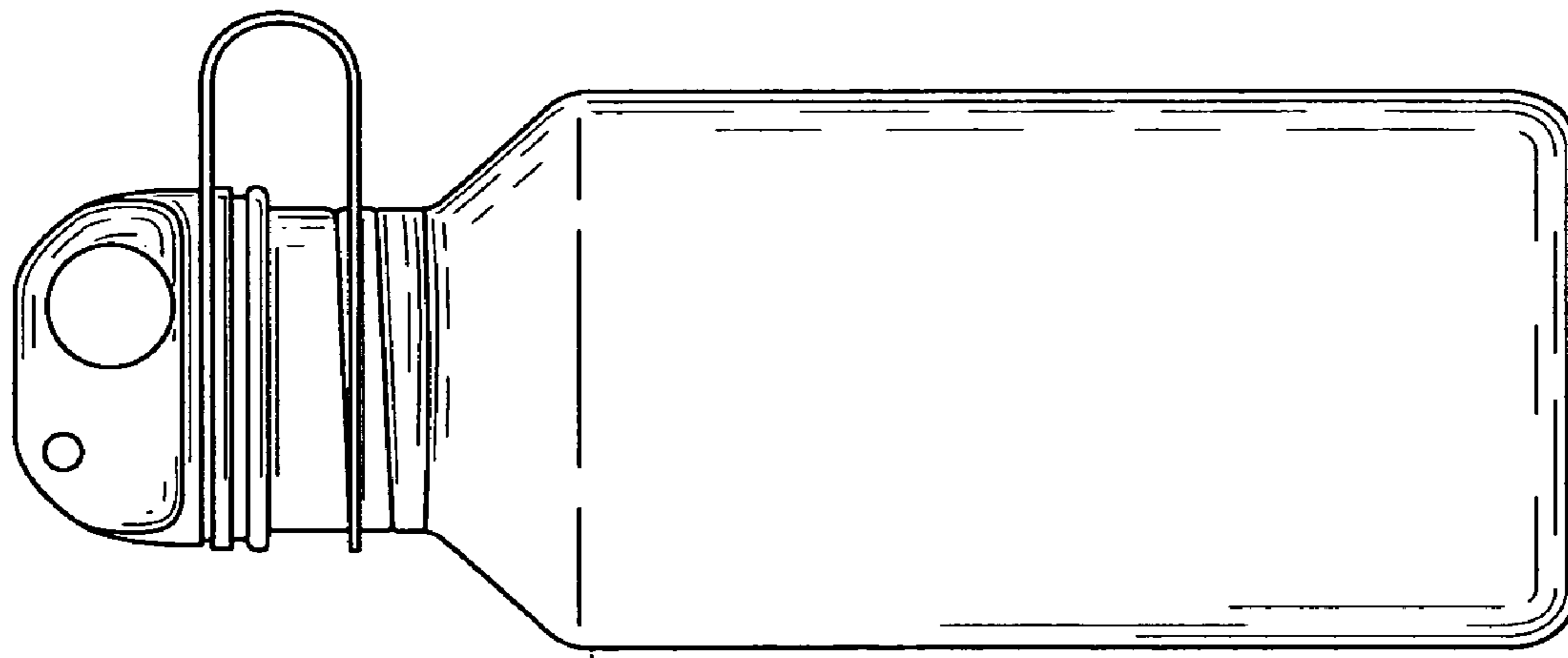


FIG. 5

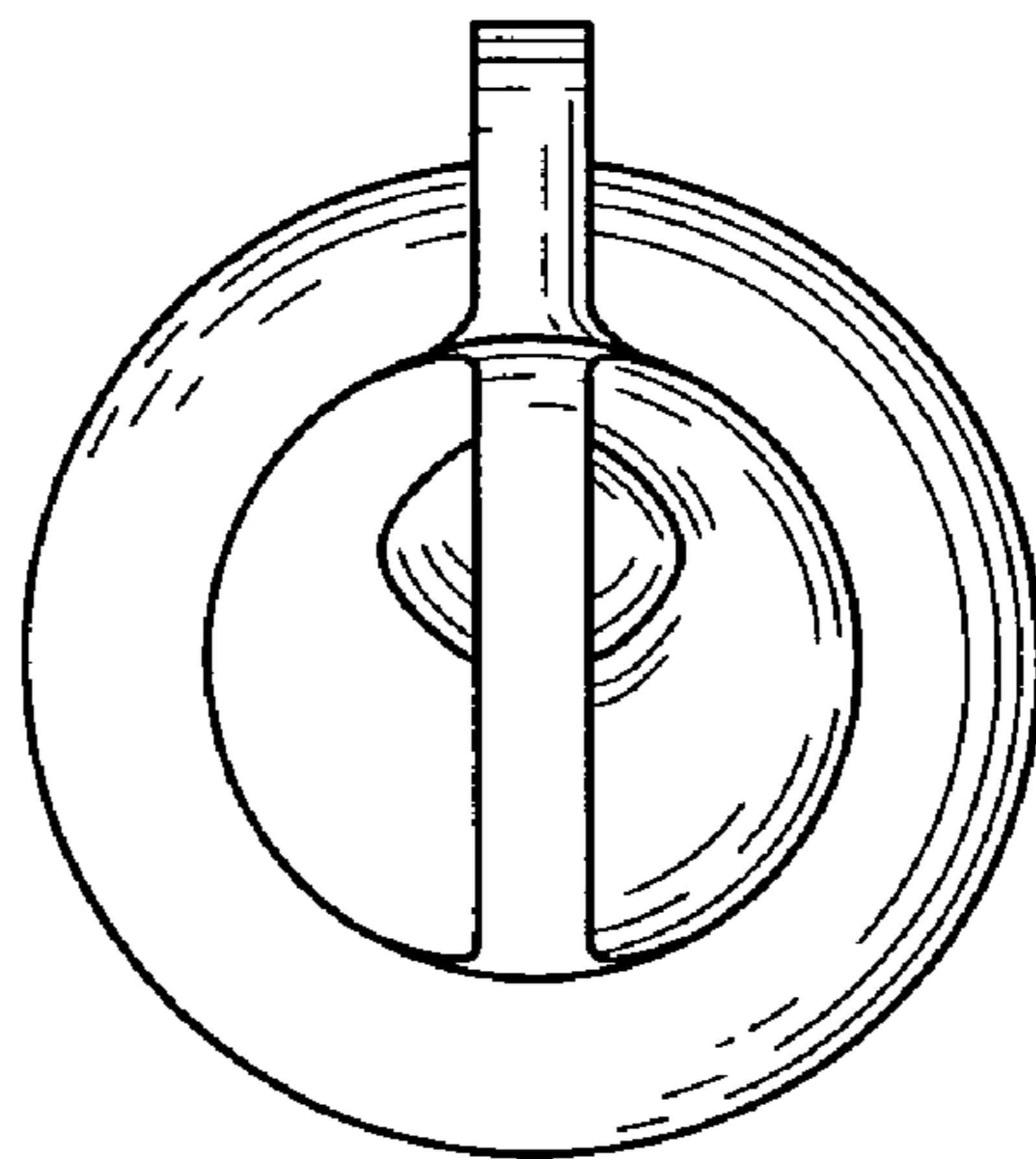


FIG. 6

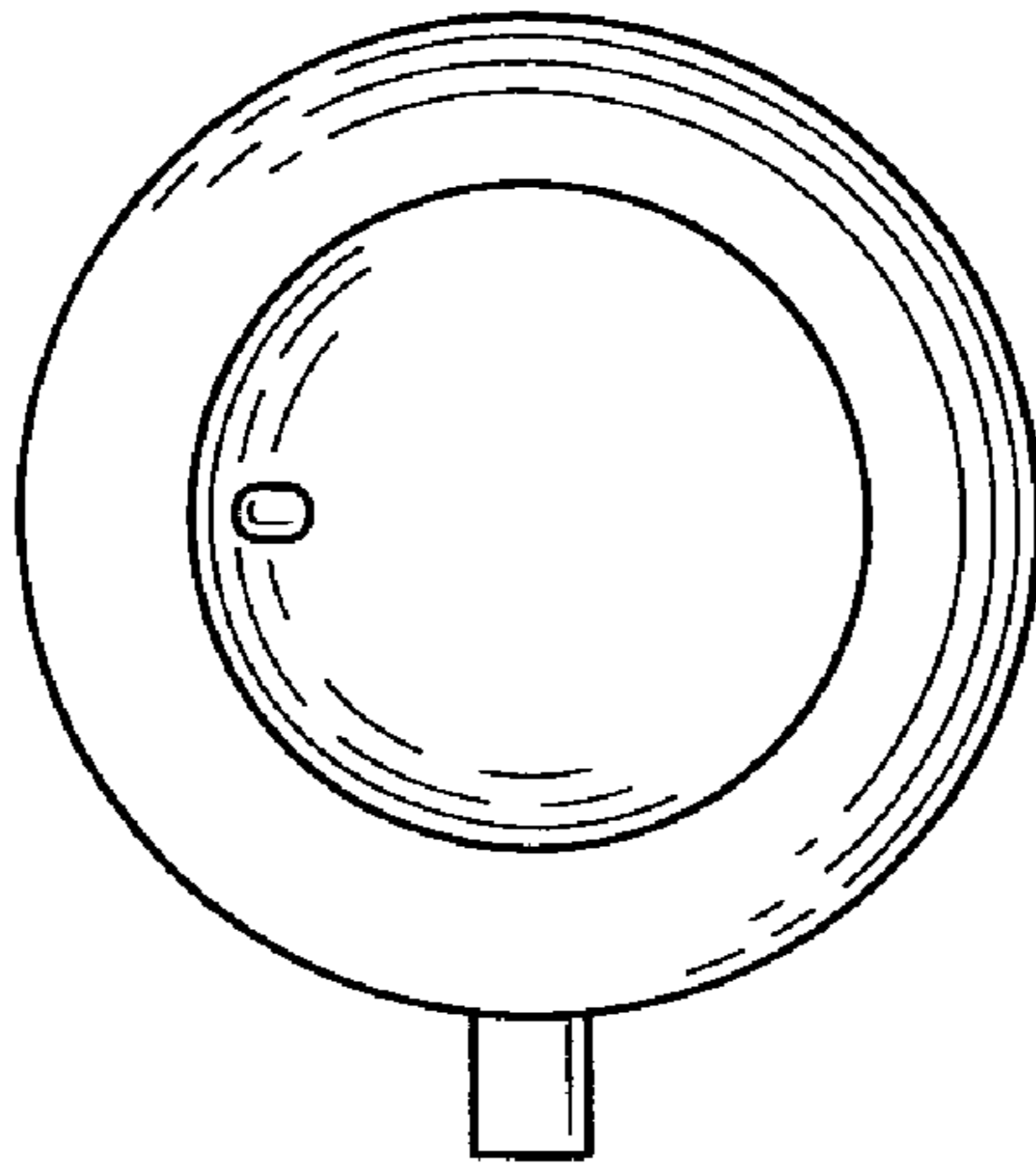


FIG. 7