



US00D604559S

(12) **United States Design Patent**  
**Woodruff**

(10) **Patent No.:** **US D604,559 S**

(45) **Date of Patent:** **\*\* Nov. 24, 2009**

(54) **SAUCEPAN SUPPORT**

(76) **Inventor:** **Mark Woodruff**, P.O. Box 3662, Jupiter,  
FL (US) 33469

(\*\*) **Term:** **14 Years**

(21) **Appl. No.:** **29/338,067**

(22) **Filed:** **Jun. 3, 2009**

(51) **LOC (9) Cl.** ..... **07-02**

(52) **U.S. Cl.** ..... **D7/408**

(58) **Field of Classification Search** ..... D7/332,  
D7/337, 346, 354-361, 366, 387-388, 396.1,  
D7/402-403, 407-409, 586, 602, 624-625;  
D8/349, 354; 99/430, 433-434; 126/39 B,  
126/39 H, 152 R, 211, 214 C, 214 R, 369,  
126/385; 248/126-127, 317-318, 346.01-346.03;  
D23/402

See application file for complete search history.

(56) **References Cited**

**U.S. PATENT DOCUMENTS**

- 1,509,630 A 9/1924 Bates
- 1,738,297 A \* 12/1929 Hoffman ..... 126/214 C
- 2,530,991 A \* 11/1950 Reeves ..... 126/39 H
- 3,871,356 A 3/1975 Saponara
- 4,832,295 A 5/1989 Wagner
- D303,609 S \* 9/1989 Binzer ..... D7/408
- D316,007 S \* 4/1991 Wagner ..... D7/366
- D322,913 S \* 1/1992 Hines ..... D7/407
- D329,162 S \* 9/1992 Dutro et al. .... D7/332
- D343,336 S \* 1/1994 Falk ..... D7/346
- D356,714 S \* 3/1995 Dutro et al. .... D7/332
- D364,534 S 11/1995 Brown et al.

- D364,993 S \* 12/1995 Andrea ..... D7/407
- 5,850,779 A 12/1998 Zimmerman
- D413,765 S 9/1999 Adler
- D416,750 S \* 11/1999 Persson ..... D7/337
- D422,178 S \* 4/2000 Persson ..... D7/403
- D424,364 S \* 5/2000 Persson ..... D7/337
- D439,110 S \* 3/2001 Cozzolino ..... D7/408
- D444,991 S \* 7/2001 Measom ..... D7/337
- 6,279,567 B1 8/2001 Taplan
- D479,781 S \* 9/2003 Pottenger et al. .... D7/346
- D480,261 S \* 10/2003 Pottenger et al. .... D7/346
- D486,356 S \* 2/2004 Hoff et al. .... D7/409
- D486,689 S \* 2/2004 Lu ..... D7/403
- D499,302 S \* 12/2004 Liu ..... D7/408
- D503,068 S \* 3/2005 May et al. .... D7/388
- D542,908 S \* 5/2007 Tschop et al. .... D23/402
- D544,748 S \* 6/2007 Johansson ..... D7/388
- D578,349 S \* 10/2008 Rieser ..... D7/402
- D594,275 S \* 6/2009 Wyocik ..... D7/402
- D596,452 S \* 7/2009 Komorski ..... D7/388

\* cited by examiner

*Primary Examiner*—T. Chase Nelson

*Assistant Examiner*—Mark Cavanna

(57) **CLAIM**

The ornamental design for a saucepan support, as shown and described.

**DESCRIPTION**

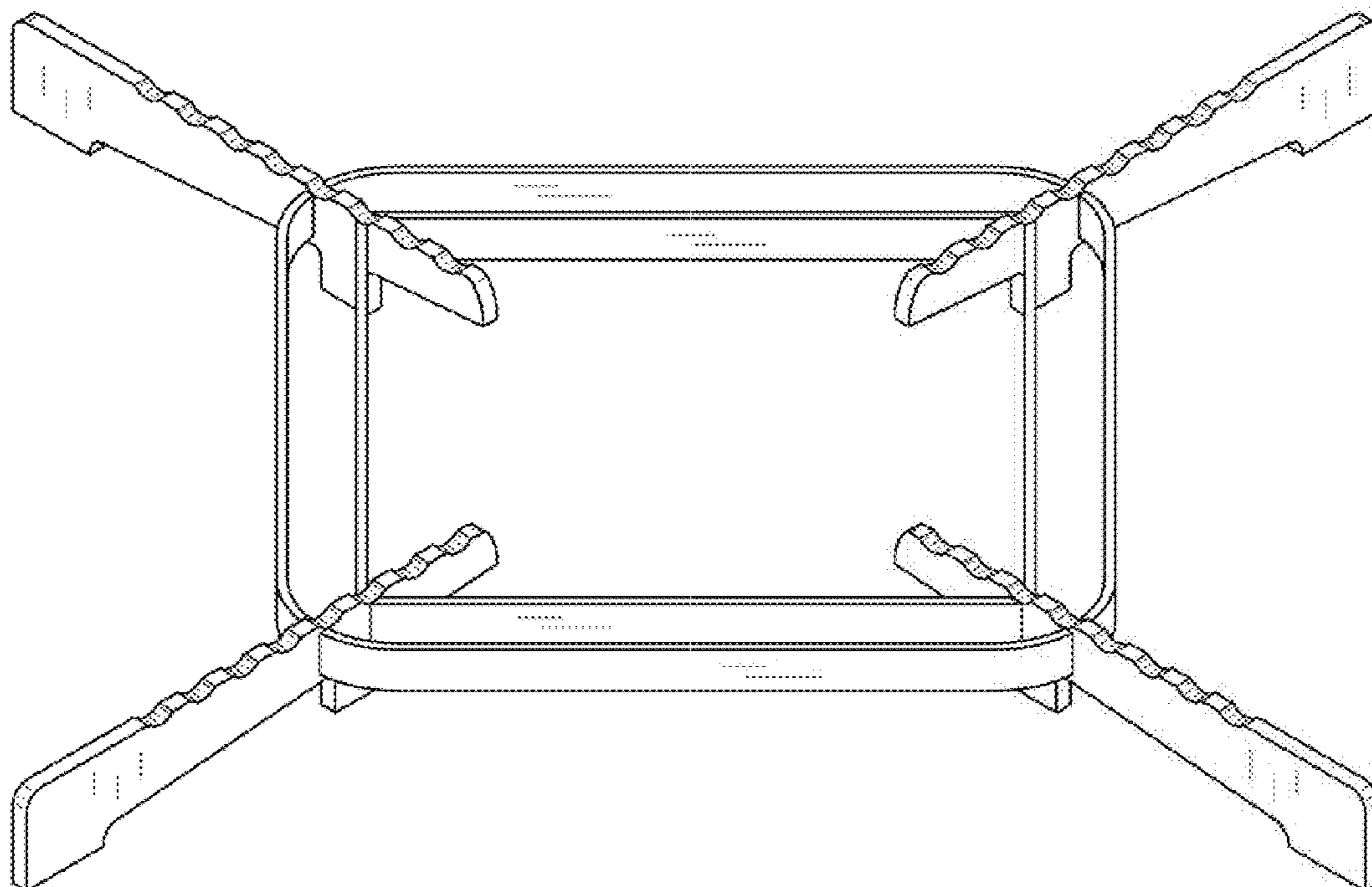
FIG. 1 is a top view of the saucepan support.

FIG. 2 is a bottom view of the claimed design.

FIG. 3 is a side view of the claimed design; and,

FIG. 4 is an isometric view of the claimed design.

**1 Claim, 3 Drawing Sheets**



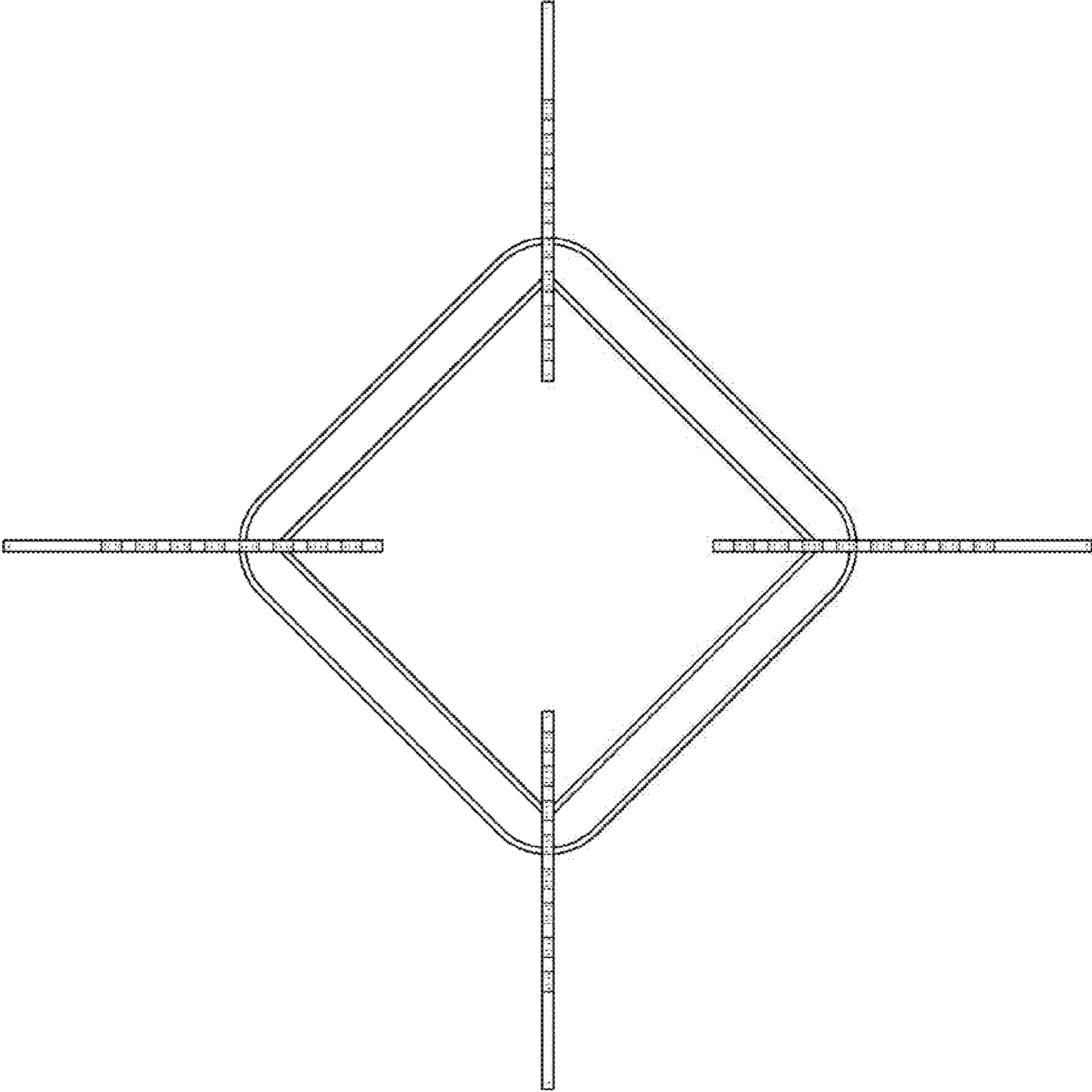


FIG. 1

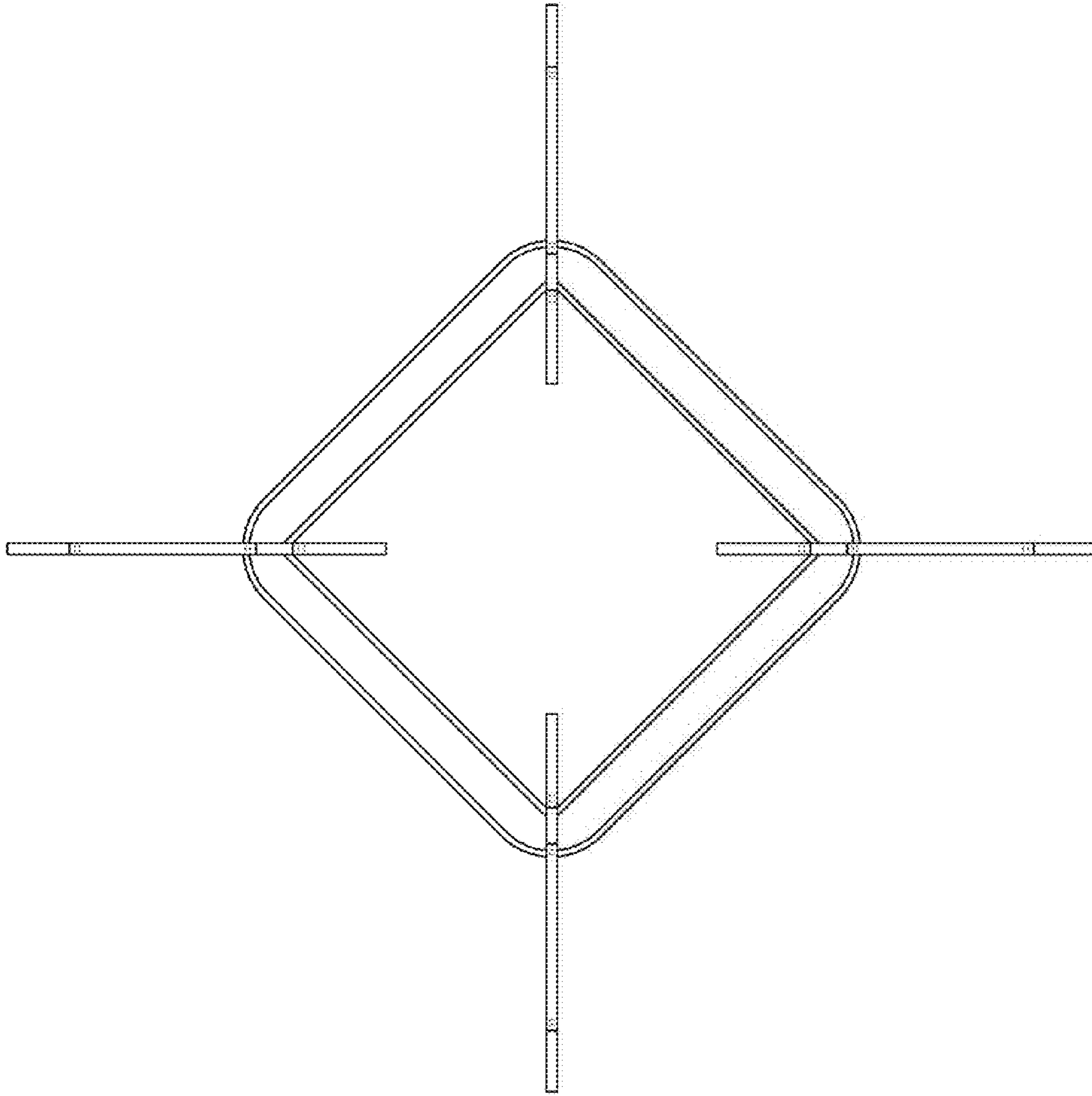


FIG. 2

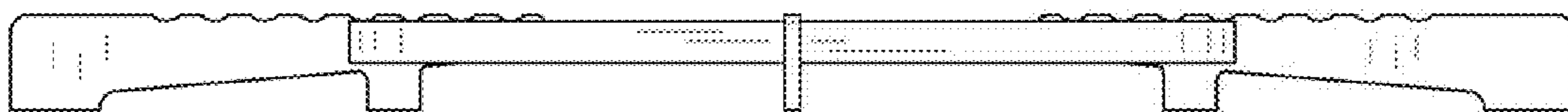


FIG. 3

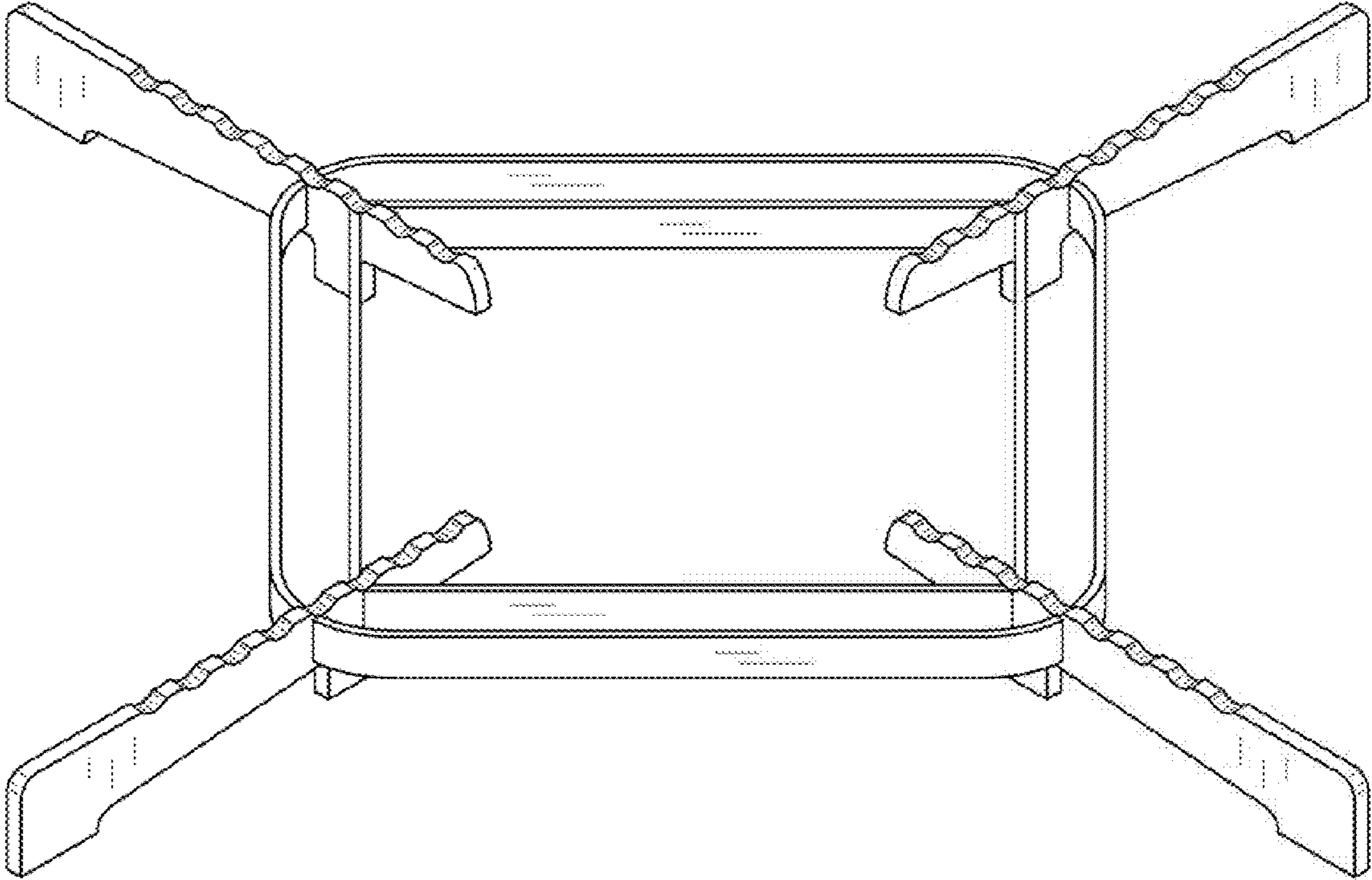


FIG. 4