



US00D604553S

(12) **United States Design Patent**
Roncali

(10) **Patent No.:** **US D604,553 S**

(45) **Date of Patent:** **** Nov. 24, 2009**

(54) **MACHINE FOR PREPARING BEVERAGES**

(75) Inventor: **Eugenio Roncali**, Corsico (IT)

(73) Assignee: **Saeco IPR Limited**, Dublin (IE)

(**) Term: **14 Years**

(21) Appl. No.: **29/301,391**

(22) Filed: **Feb. 27, 2008**

(30) **Foreign Application Priority Data**

Sep. 6, 2007 (EM) 000785266

(51) **LOC (9) Cl.** **07-01**

(52) **U.S. Cl.** **D7/306; D7/309; D7/311**

(58) **Field of Classification Search** D7/300,

D7/306-312; 99/295, 298, 300, 279

See application file for complete search history.

(56) **References Cited**

U.S. PATENT DOCUMENTS

D324,621 S *	3/1992	Haslacher	D7/309
D340,381 S *	10/1993	Mermillod	D7/309
D395,976 S *	7/1998	Seiffert et al.	D7/309
D431,749 S *	10/2000	Cahen	D7/309
D431,750 S *	10/2000	Cahen	D7/309
D431,751 S *	10/2000	Cahen	D7/309
D437,726 S *	2/2001	Hardt	D7/306

D449,199 S *	10/2001	Cahen	D7/309
D449,488 S *	10/2001	Cahen	D7/309
D451,749 S *	12/2001	Trazzi	D7/309
D477,963 S *	8/2003	Cahen	D7/309
D540,101 S *	4/2007	Cahen	D7/309
D556,495 S *	12/2007	Davenport	D7/309
D586,170 S *	2/2009	Jordana	D7/309
D587,511 S *	3/2009	Buttler	D7/309

* cited by examiner

Primary Examiner—Marianne Pandozzi

(74) *Attorney, Agent, or Firm*—Collard & Roe, P.C.

(57) **CLAIM**

The ornamental design for a machine for preparing beverages, as shown and described.

DESCRIPTION

FIG. 1 shows a front view of my design for a machine for preparing beverages;

FIG. 2 shows a right side view thereof;

FIG. 3 shows a front and top perspective view thereof;

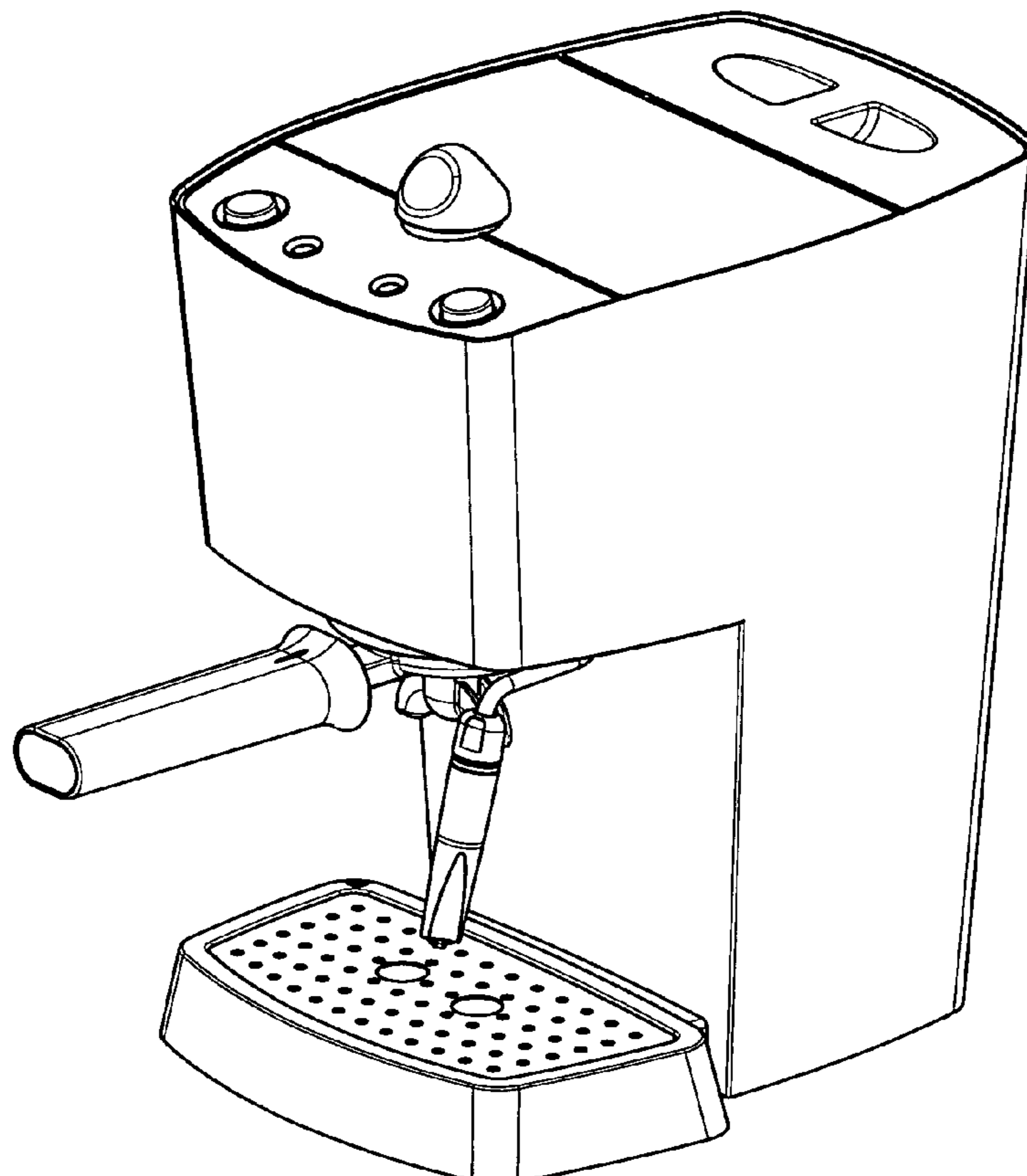
FIG. 4 shows a rear and top perspective view thereof;

FIG. 5 shows a rear view thereof;

FIG. 6 shows a left side view thereof; and,

FIG. 7 shows a top view thereof.

1 Claim, 7 Drawing Sheets



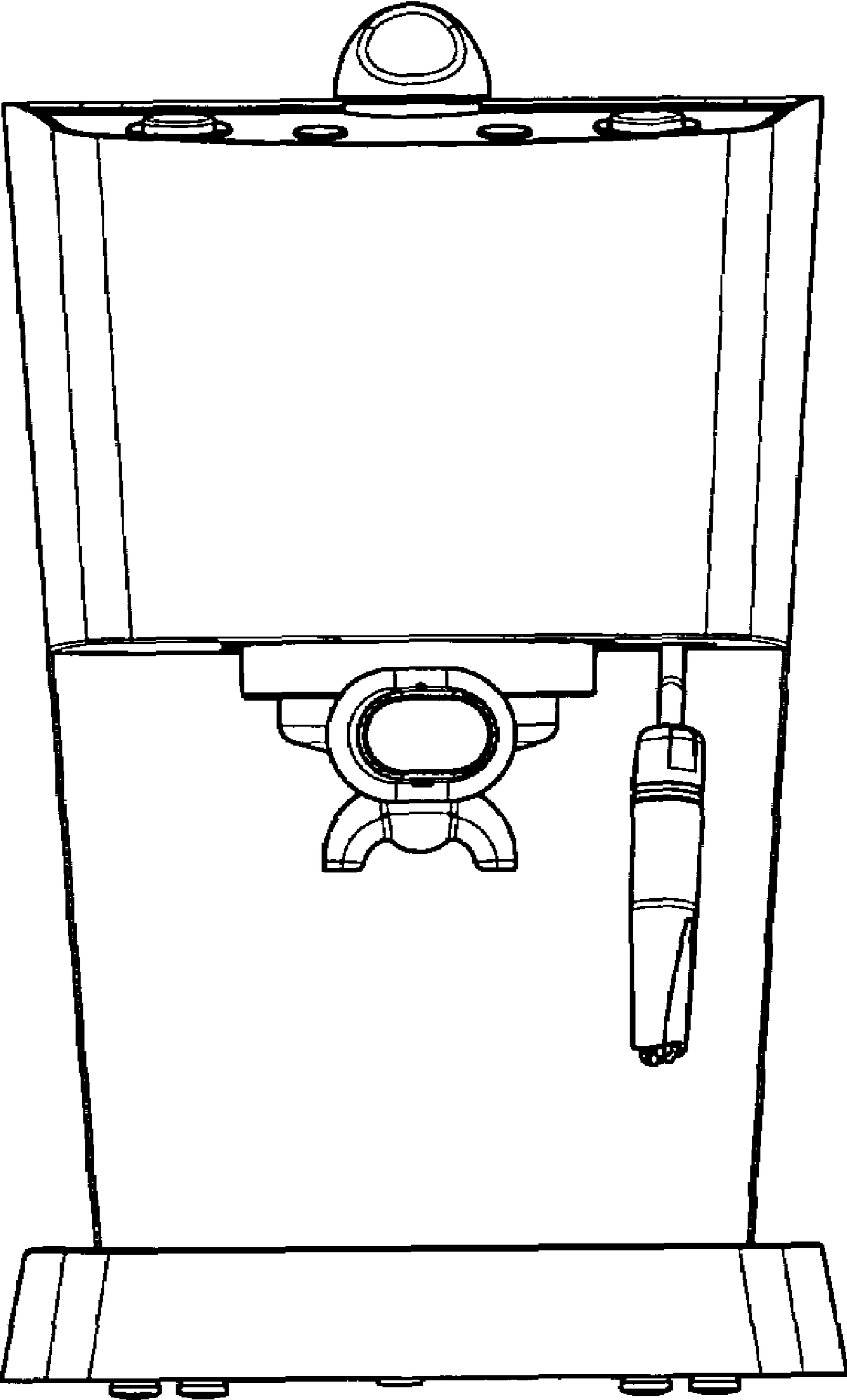


FIG. 1

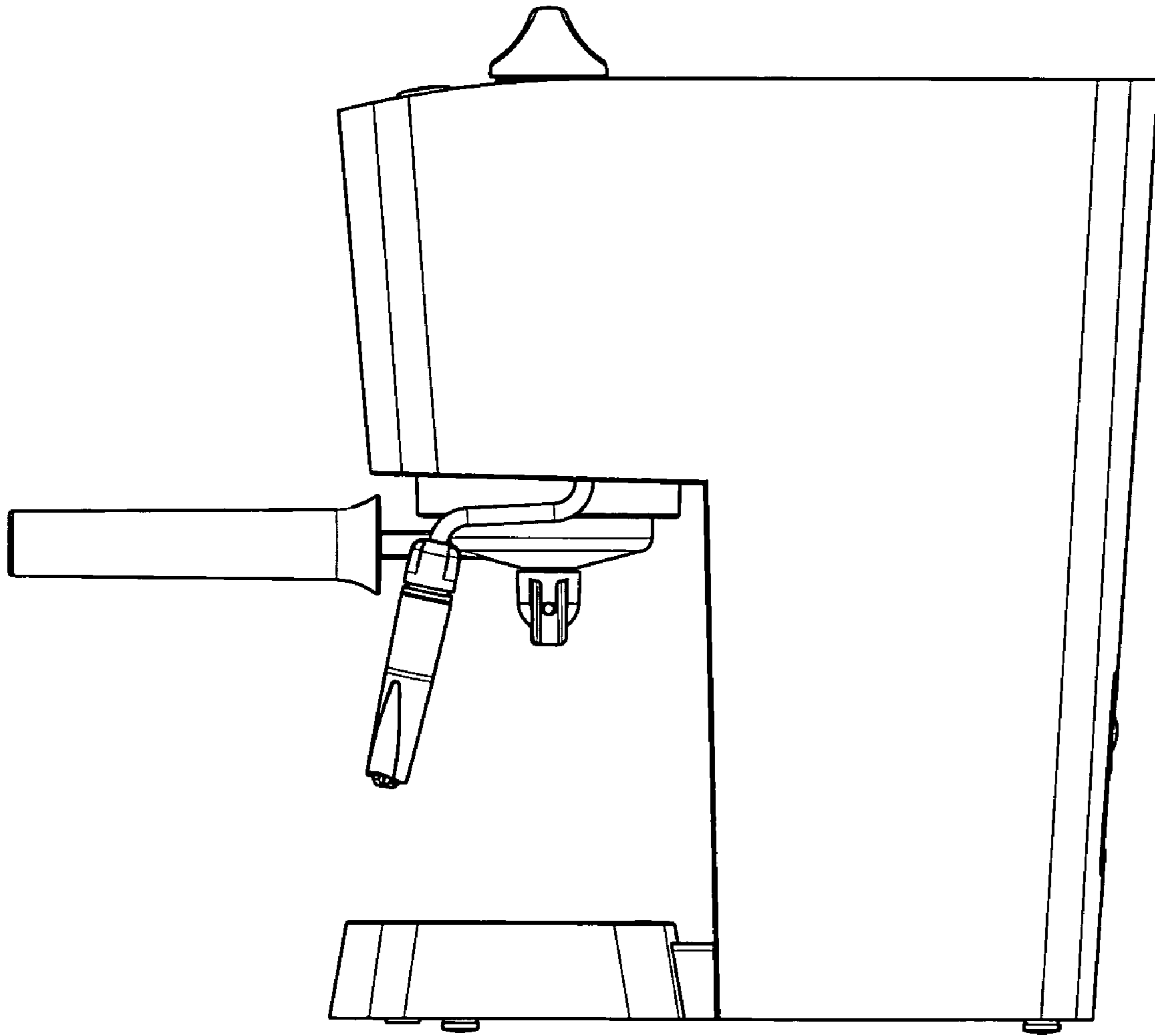


FIG. 2

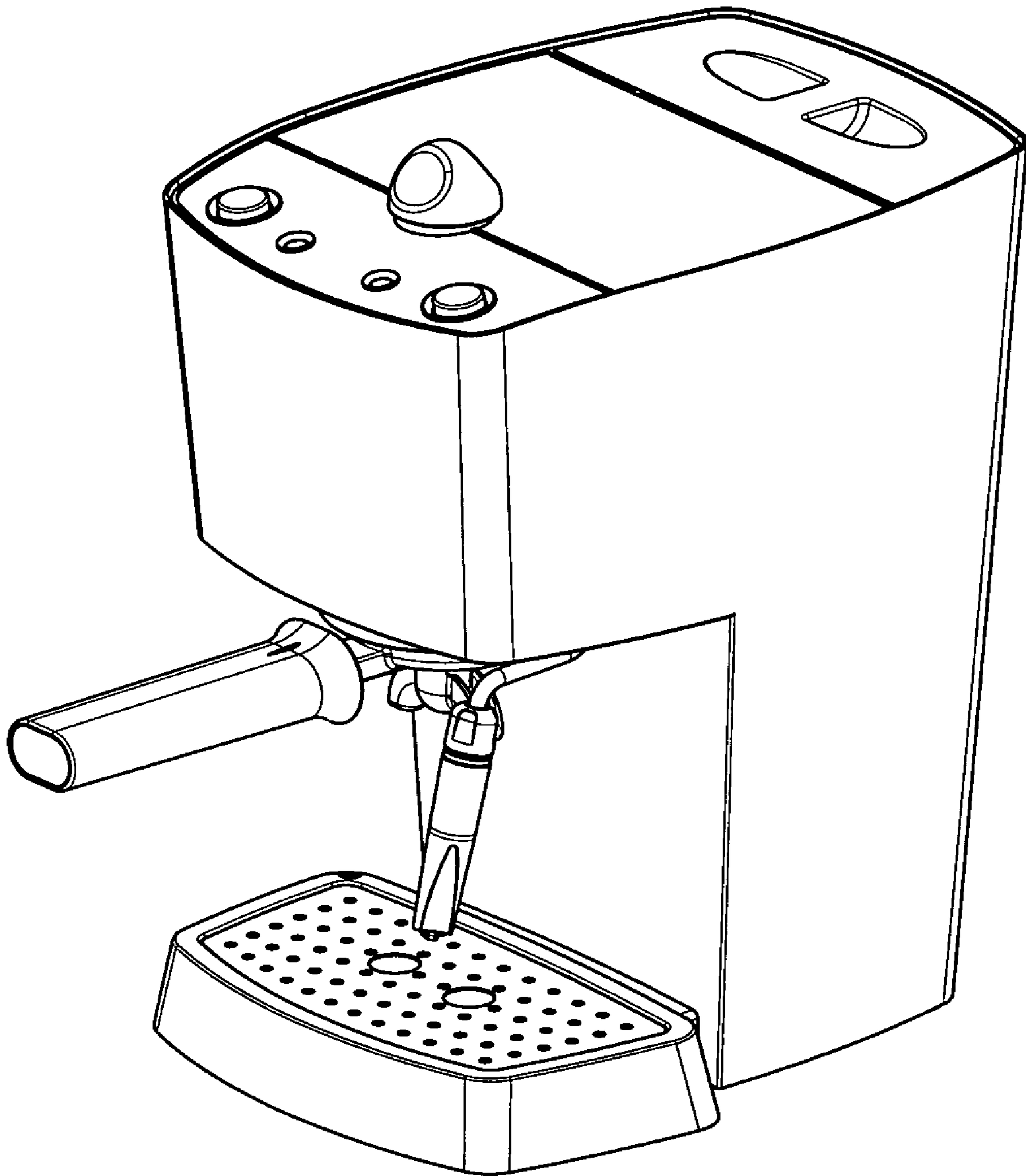


FIG. 3

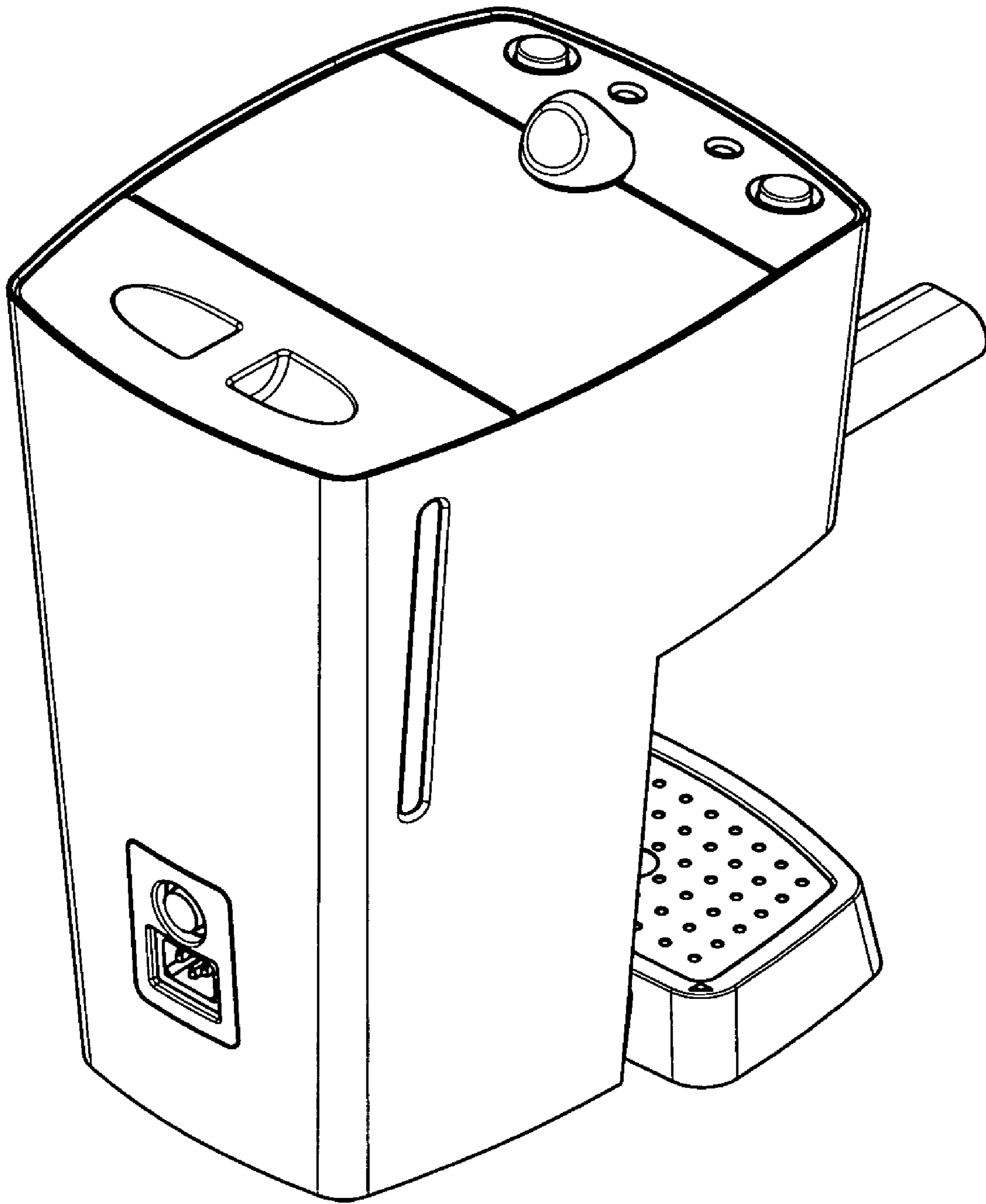


FIG. 4

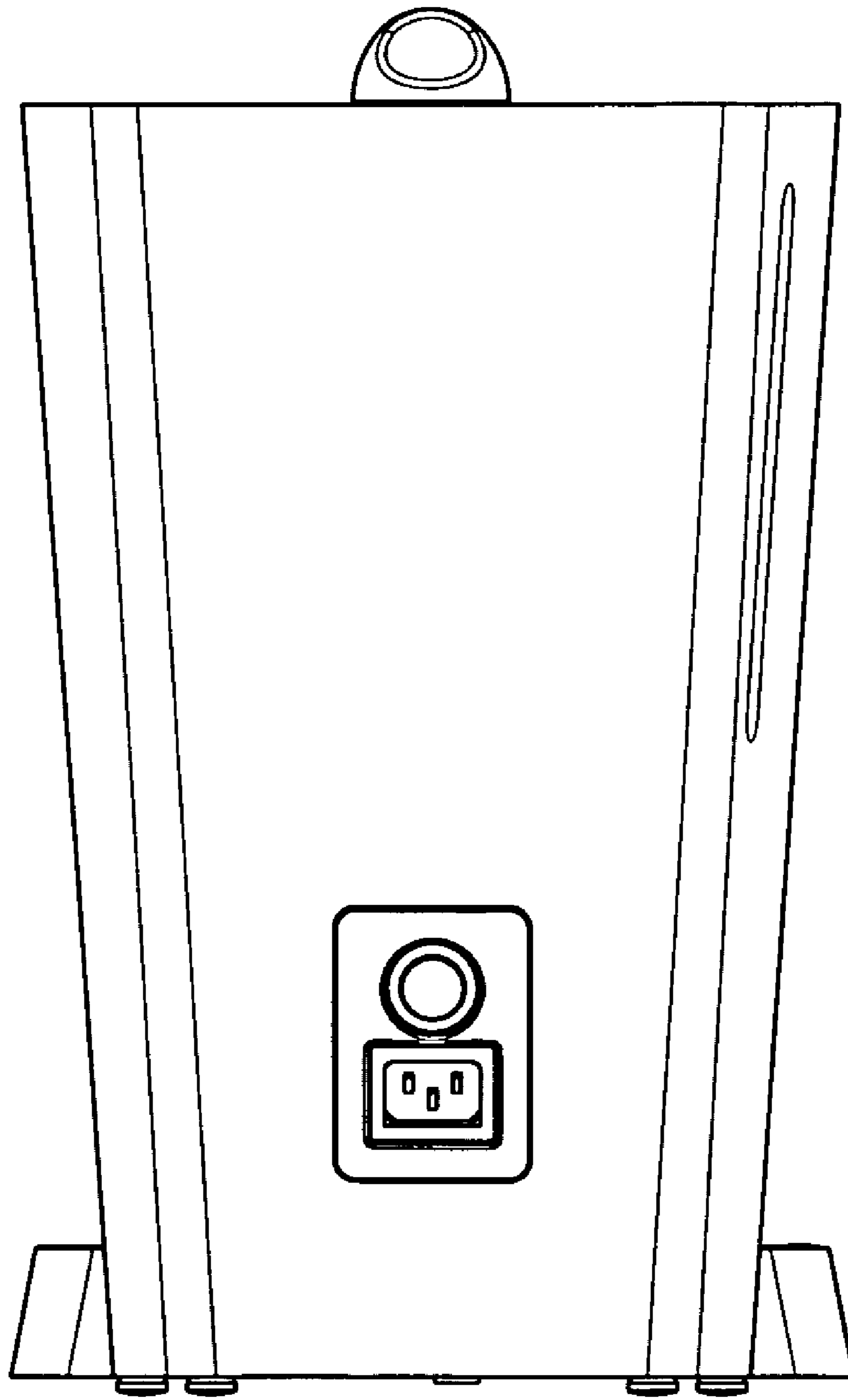


FIG. 5

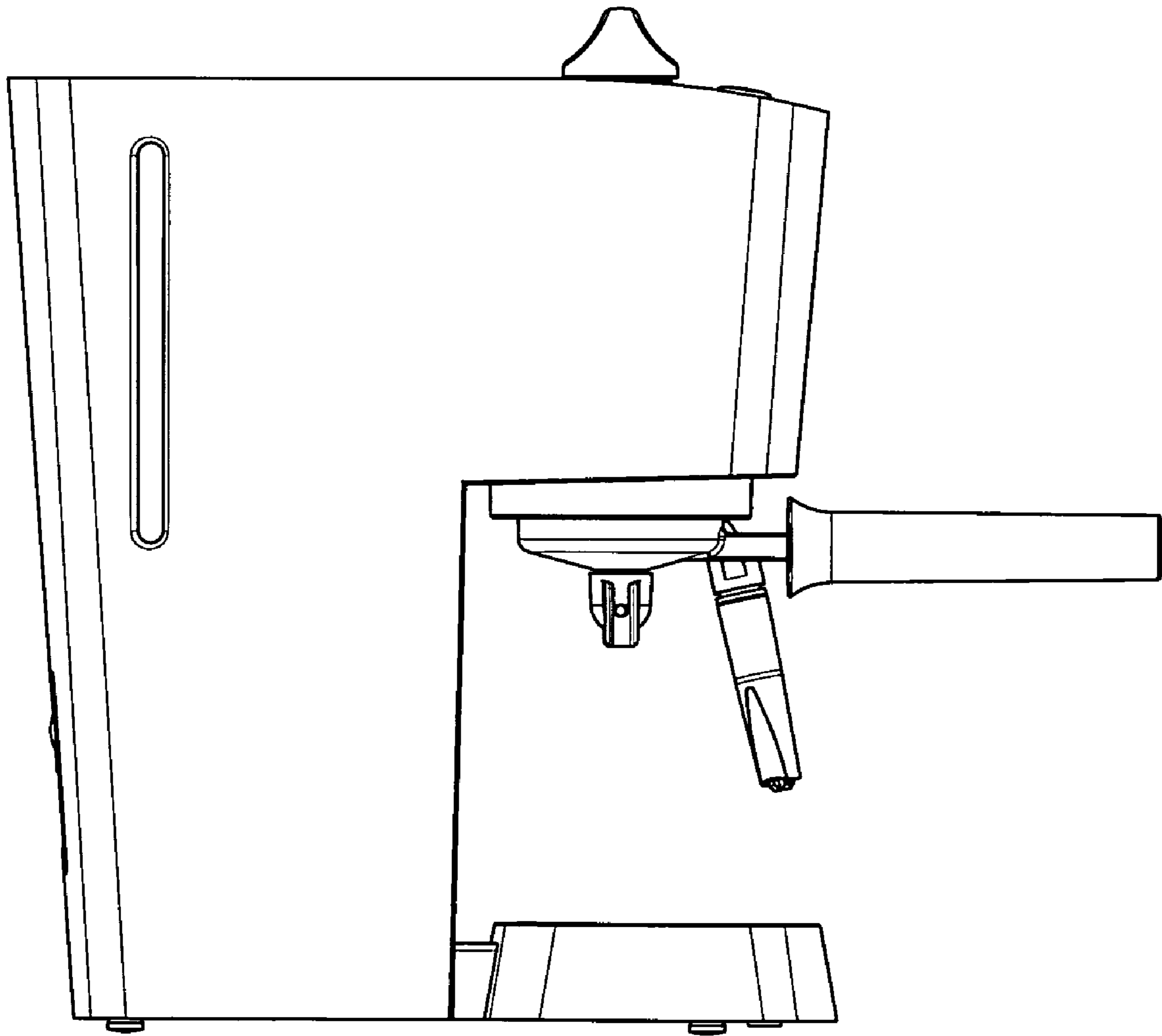


FIG. 6

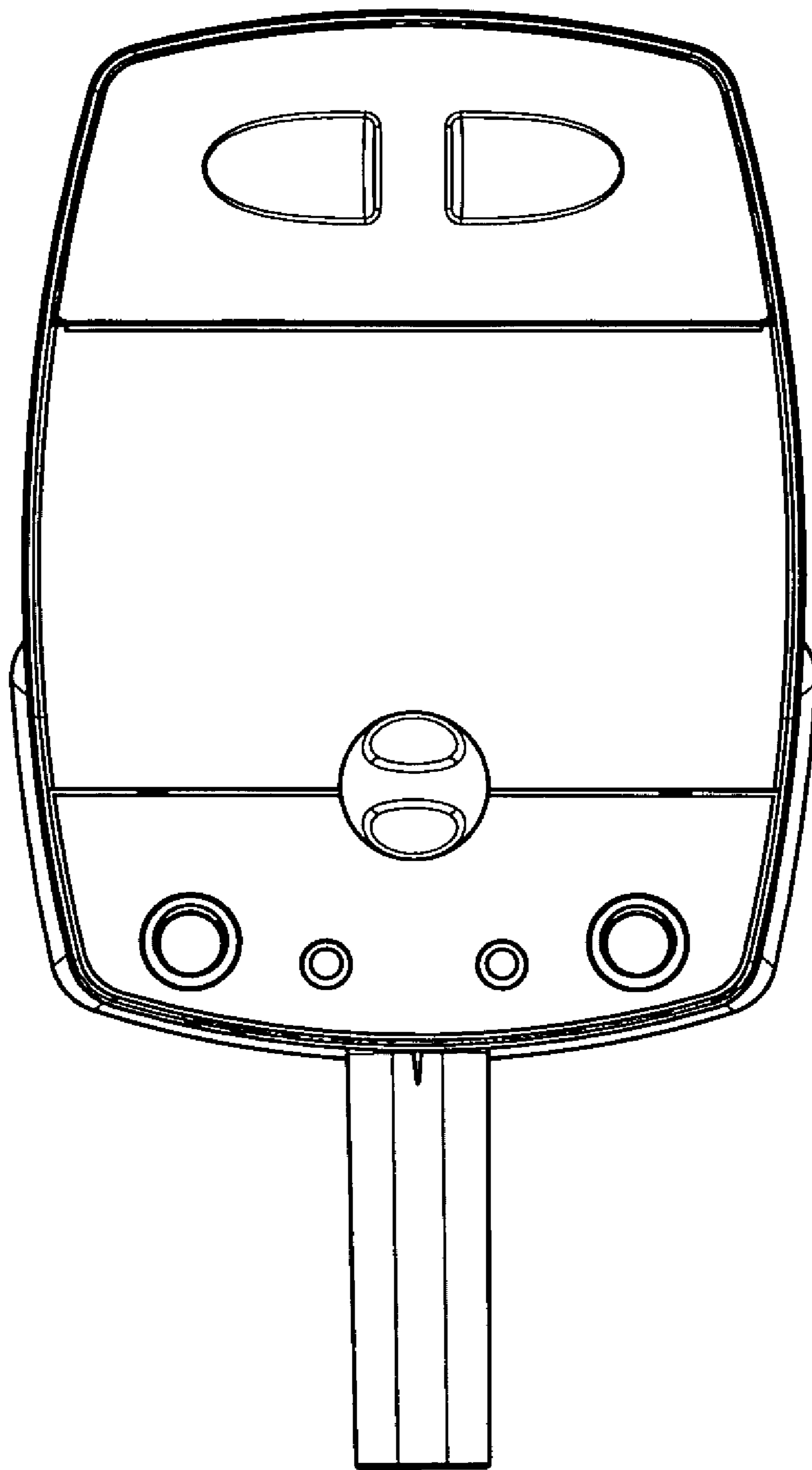


FIG. 7