

US00D604552S

(12) **United States Design Patent**  
**Roncali**

(10) **Patent No.:** **US D604,552 S**

(45) **Date of Patent:** **\*\* Nov. 24, 2009**

(54) **MACHINE FOR PREPARING BEVERAGES**

(75) Inventor: **Eugenio Roncali**, Corsico (IT)

(73) Assignee: **Saeco IPR Limited**, Dublin (IE)

(\*\*) Term: **14 Years**

(21) Appl. No.: **29/301,390**

(22) Filed: **Feb. 27, 2008**

(30) **Foreign Application Priority Data**

Sep. 6, 2007 (EM) ..... 000785266

(51) **LOC (9) Cl.** ..... **07-01**

(52) **U.S. Cl.** ..... **D7/306; D7/309; D7/311**

(58) **Field of Classification Search** ..... D7/300,  
D7/306-312; 99/295, 298, 300, 279  
See application file for complete search history.

(56) **References Cited**

**U.S. PATENT DOCUMENTS**

D324,621 S *	3/1992	Haslacher	.....	D7/309
D340,381 S *	10/1993	Mermillod	.....	D7/309
D395,976 S *	7/1998	Seiffert et al.	.....	D7/309
D431,749 S *	10/2000	Cahen	.....	D7/309
D431,750 S *	10/2000	Cahen	.....	D7/309
D431,751 S *	10/2000	Cahen	.....	D7/309
D437,726 S *	2/2001	Hardt	.....	D7/306
D449,199 S *	10/2001	Cahen	.....	D7/309

D449,488 S *	10/2001	Cahen	.....	D7/309
D451,749 S *	12/2001	Trazzi	.....	D7/309
D477,963 S *	8/2003	Cahen	.....	D7/309
D540,101 S *	4/2007	Cahen	.....	D7/309
D556,495 S *	12/2007	Davenport	.....	D7/309
D586,170 S *	2/2009	Jordana	.....	D7/309
D587,511 S *	3/2009	Buttler	.....	D7/309

\* cited by examiner

*Primary Examiner*—Marianne Pandozzi

(74) *Attorney, Agent, or Firm*—Collard & Roe, P.C.

(57) **CLAIM**

The ornamental design for a machine for preparing beverages, as shown and described.

**DESCRIPTION**

FIG. 1 shows a front view of my design for a machine for preparing beverages;

FIG. 2 shows a right side view thereof;

FIG. 3 shows a front and top perspective view thereof;

FIG. 4 shows a rear and top perspective view thereof;

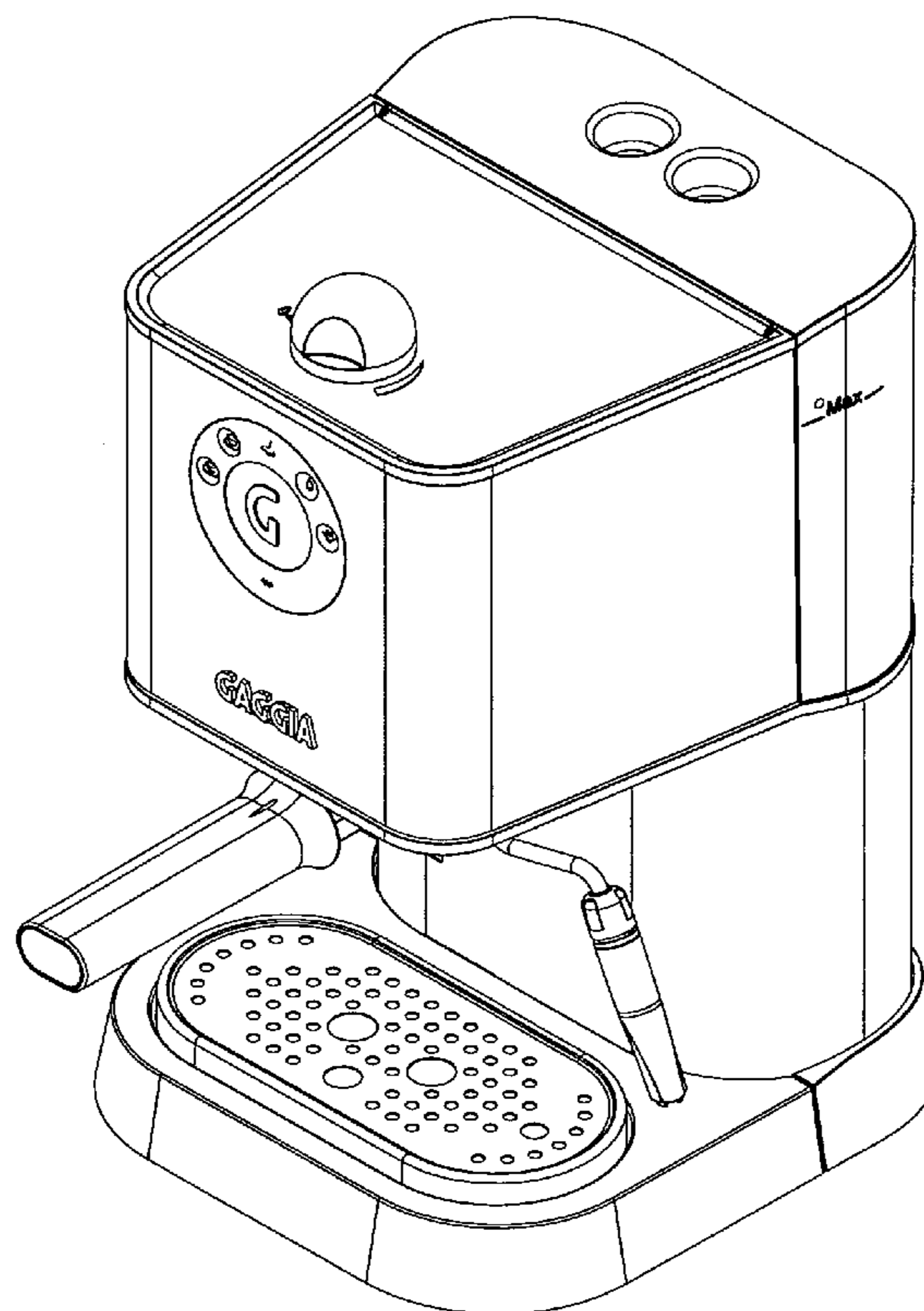
FIG. 5 shows a rear view thereof;

FIG. 6 shows a left side view thereof; and,

FIG. 7 shows a top view thereof.

The “G” and “Gaggia” shown in FIGS. 1 and 3 are registered trademarks of Gaggia S.P.A.

**1 Claim, 7 Drawing Sheets**



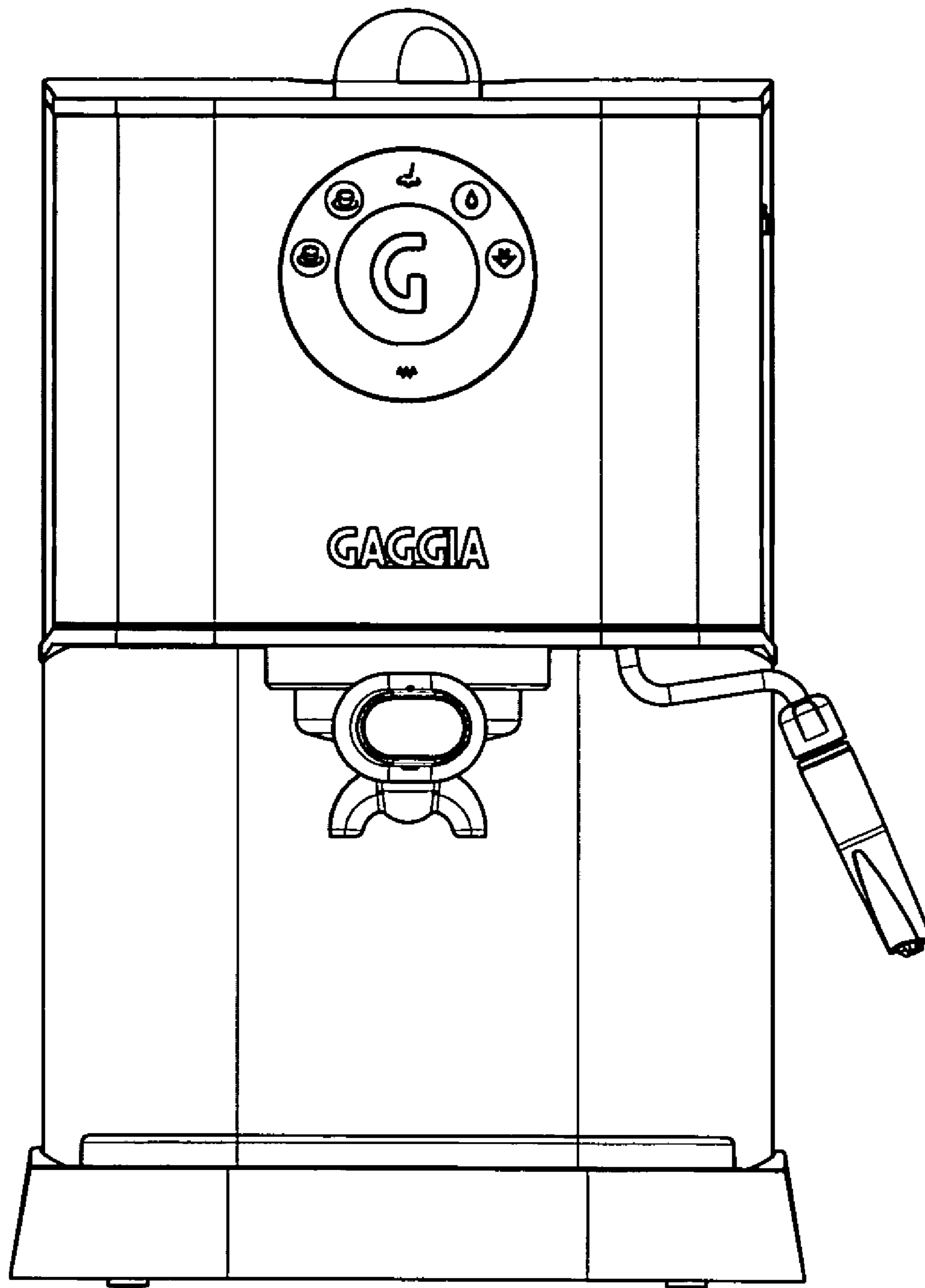


FIG. 1

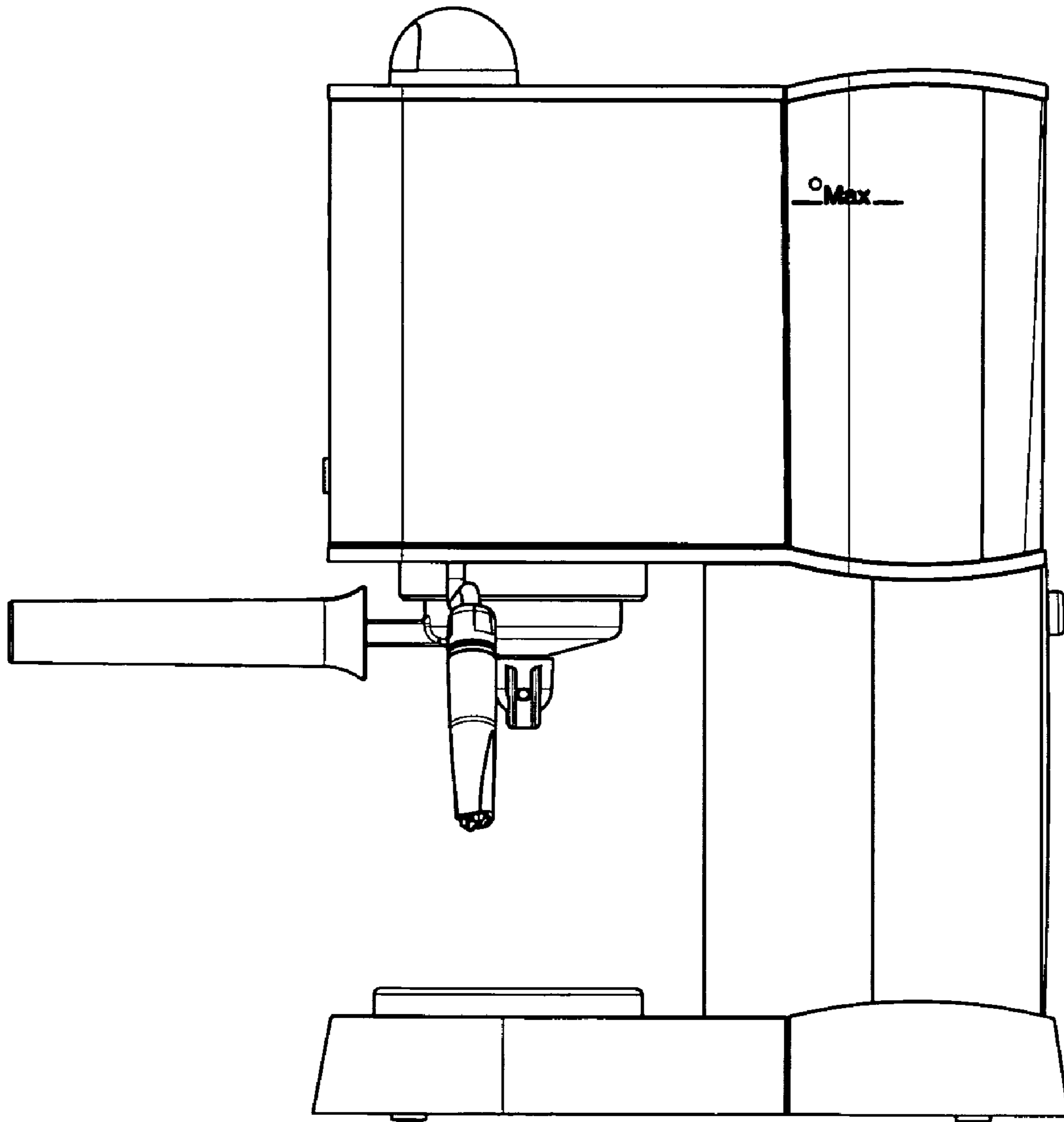


FIG. 2

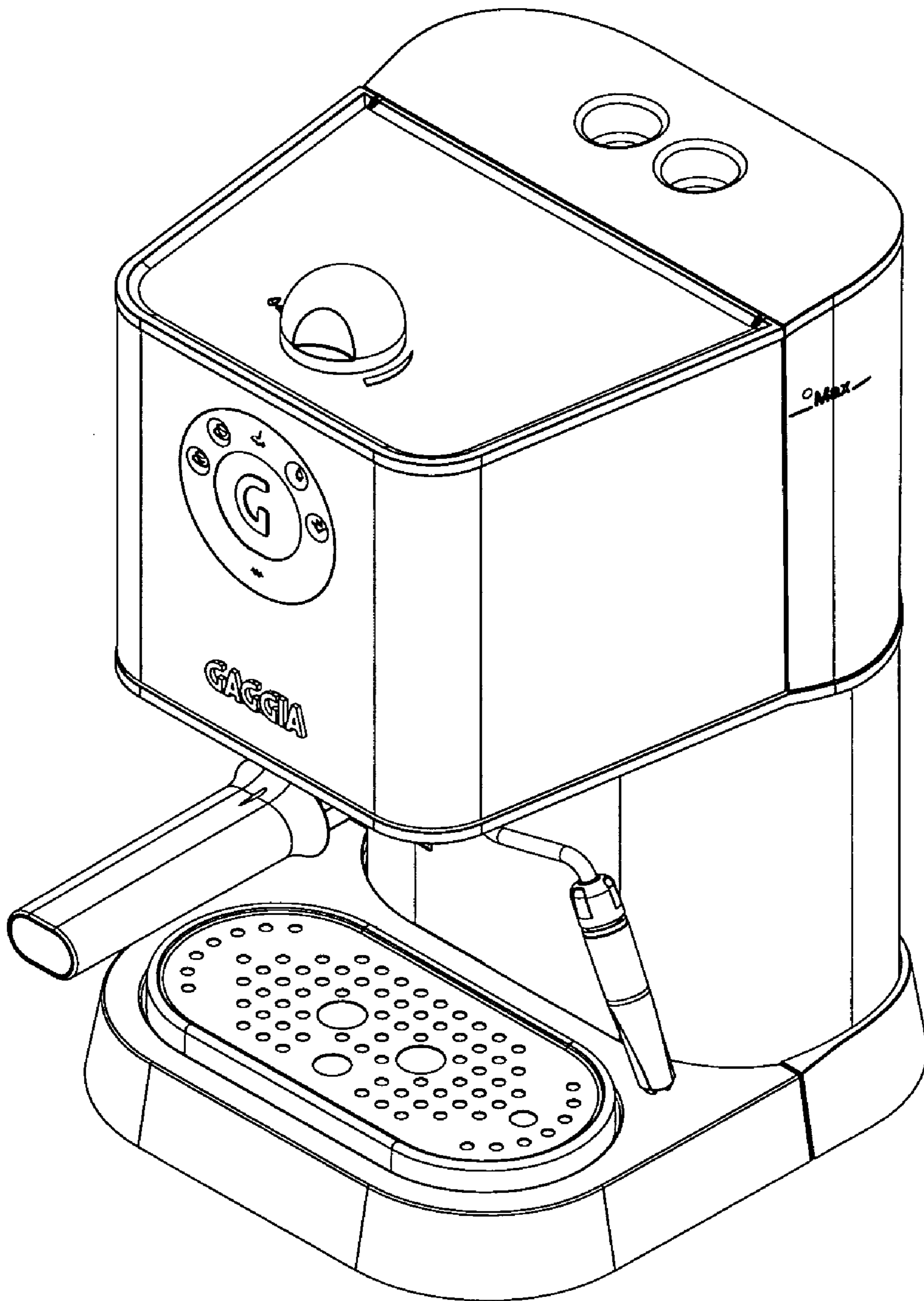


FIG. 3

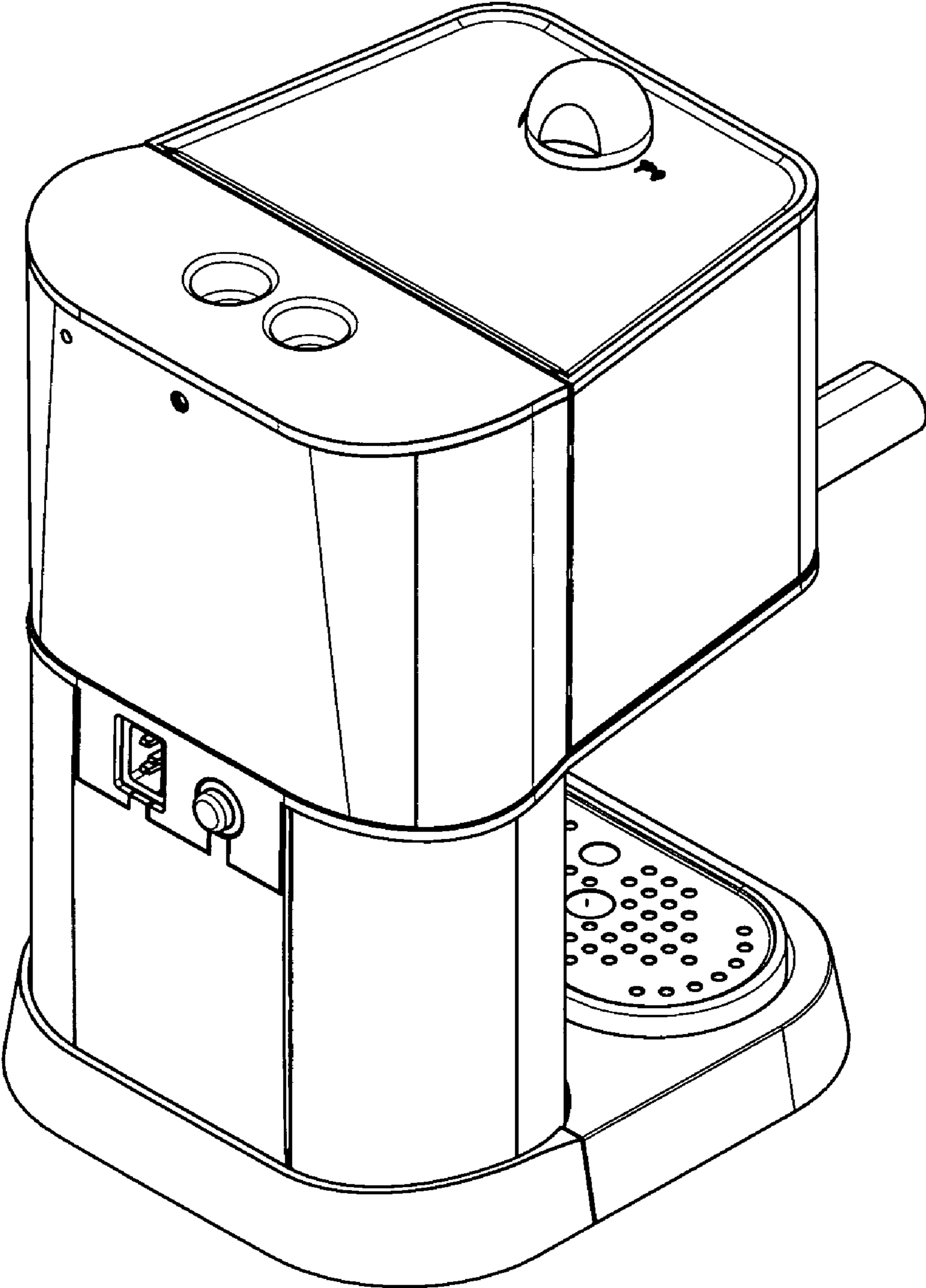


FIG. 4

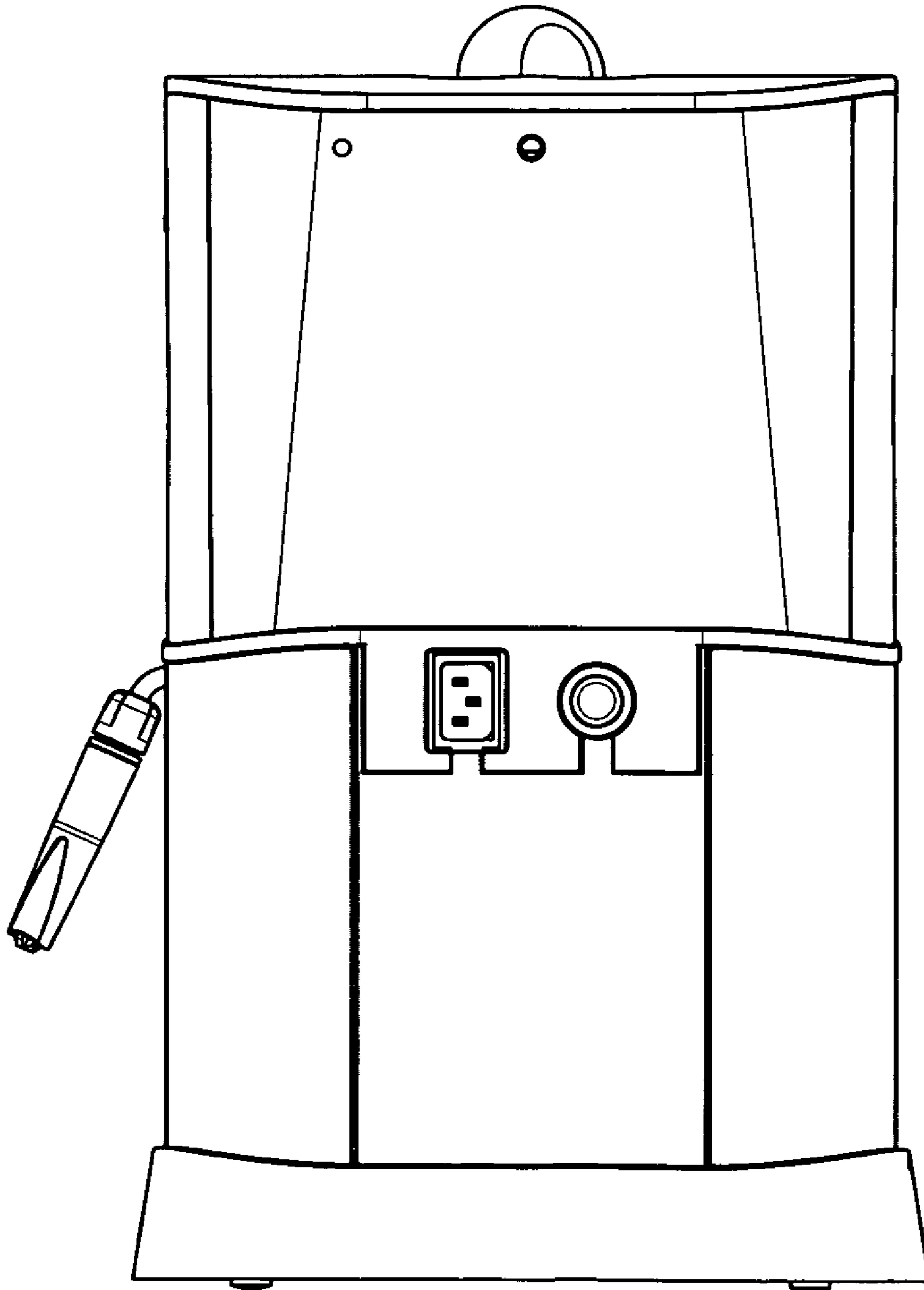


FIG. 5

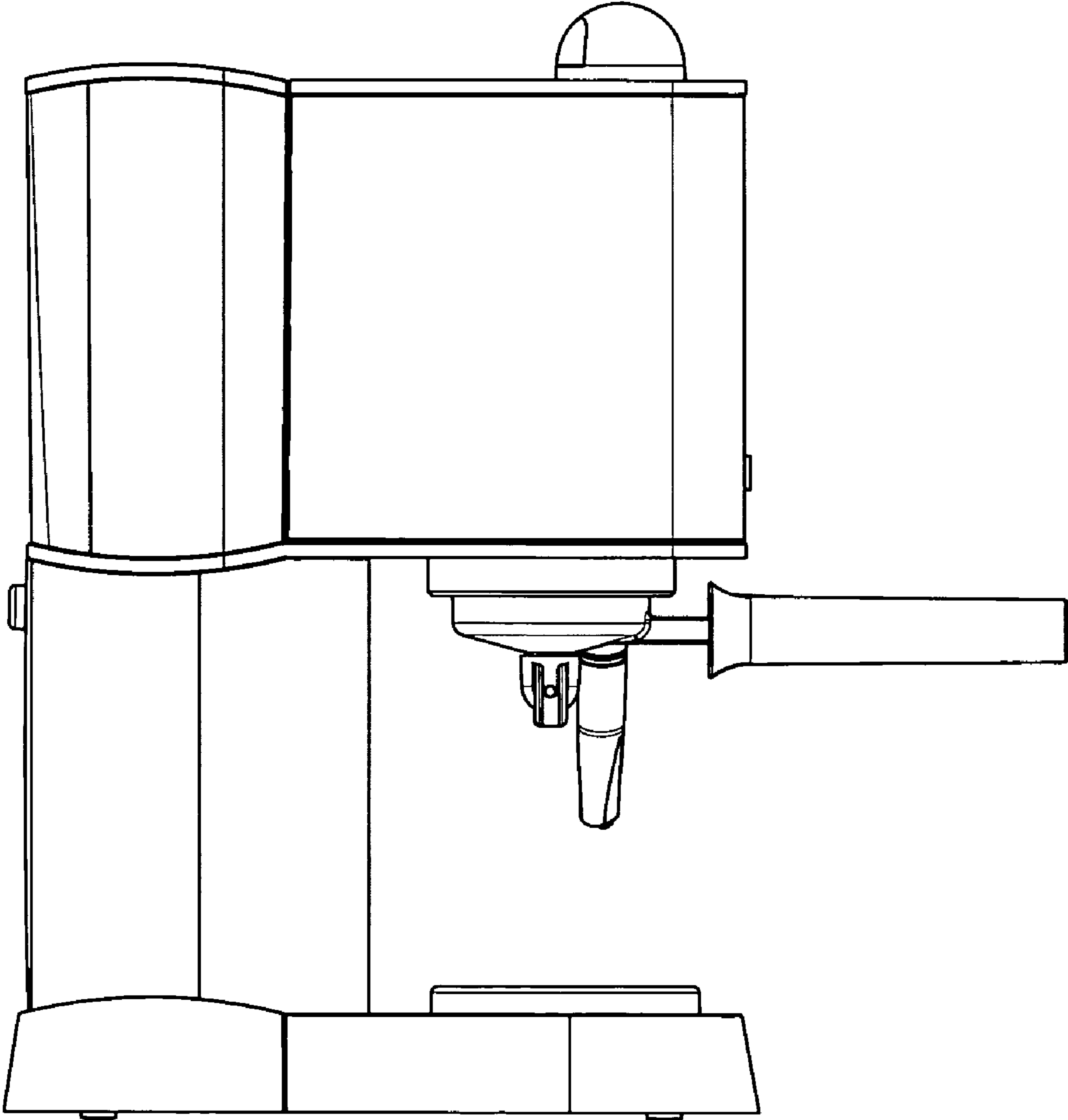


FIG. 6

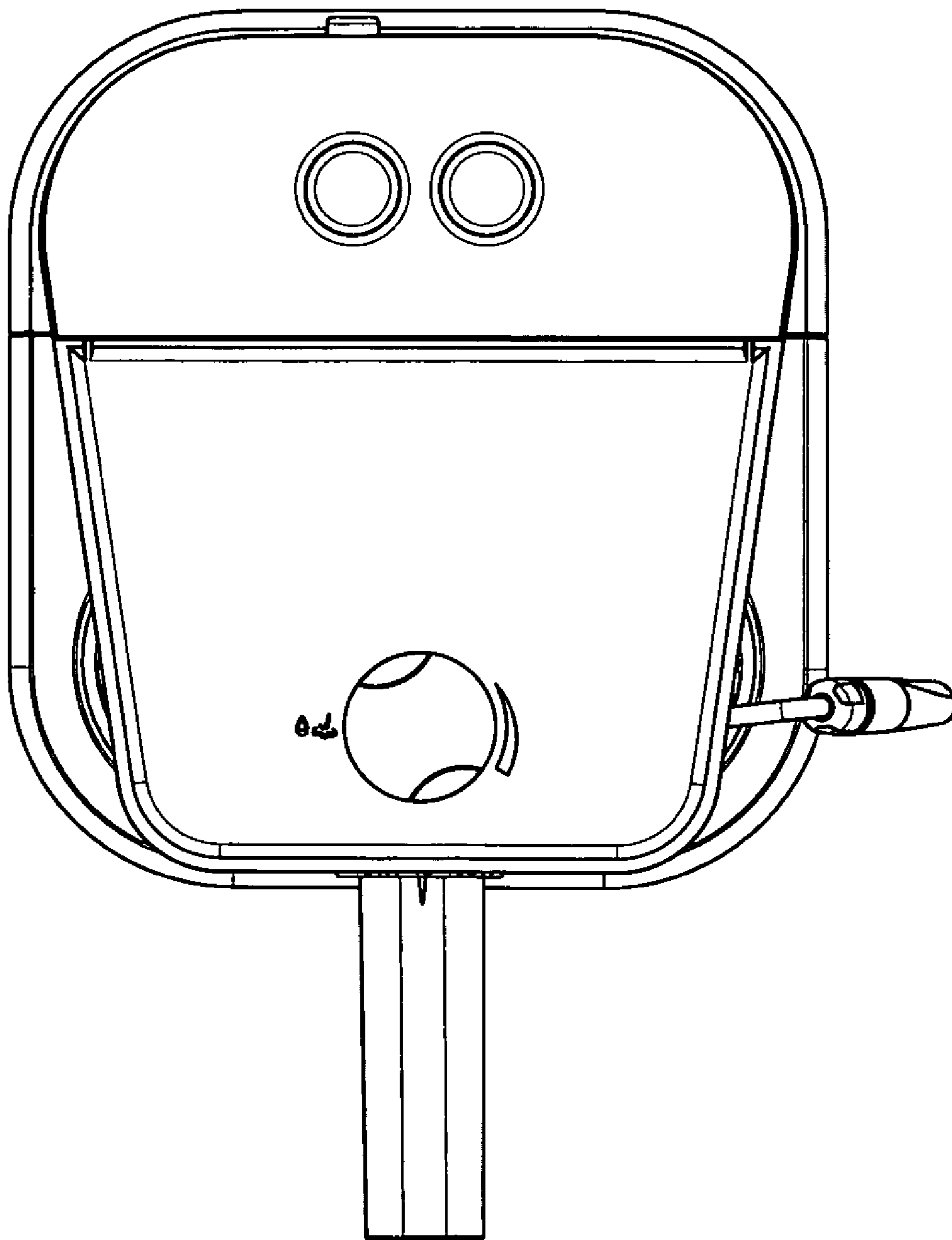


FIG. 7