



US00D604549S

(12) **United States Design Patent**
Yaroshenko

(10) **Patent No.:** **US D604,549 S**

(45) **Date of Patent:** **** Nov. 24, 2009**

(54) **PILLOW**

(76) **Inventor:** **Lyubov Yaroshenko**, 25 Glen View Dr.,
Cranston, RI (US) 02920

(**) **Term:** **14 Years**

(21) **Appl. No.:** **29/312,554**

(22) **Filed:** **Oct. 31, 2008**

(51) **LOC (9) Cl.** **06-09**

(52) **U.S. Cl.** **D6/601**

(58) **Field of Classification Search** D6/595-599,
D6/601, 604; 5/630, 633, 636, 637, 735,
5/652-656, 655.3, 655.9, 706, 910, 922,
5/420; D21/803, 809

See application file for complete search history.

(56) **References Cited**

U.S. PATENT DOCUMENTS

4,031,578	A *	6/1977	Sweeney et al.	5/426
5,216,772	A *	6/1993	Clute	5/655
D389,359	S *	1/1998	Nowak	D6/601
D408,676	S *	4/1999	Straub et al.	D6/601
D446,675	S *	8/2001	Straub	D6/601
D485,724	S *	1/2004	Morikawa	D6/601

D497,073	S *	10/2004	Speare	D6/604
D523,679	S *	6/2006	Illingworth	D6/601
D547,586	S *	7/2007	Weiss-Lohrei	D6/601
D576,439	S *	9/2008	Yaroshenko	D6/601
2007/0163051	A1 *	7/2007	Straub	5/655

* cited by examiner

Primary Examiner—Janice E Seeger
Assistant Examiner—Zenia I Bennett

(57) **CLAIM**

The ornamental design for a pillow, as shown.

DESCRIPTION

FIG. 1 is a perspective view of a pillow showing my new design;

FIG. 2 is a front elevational view thereof;

FIG. 3 is a rear elevational view thereof;

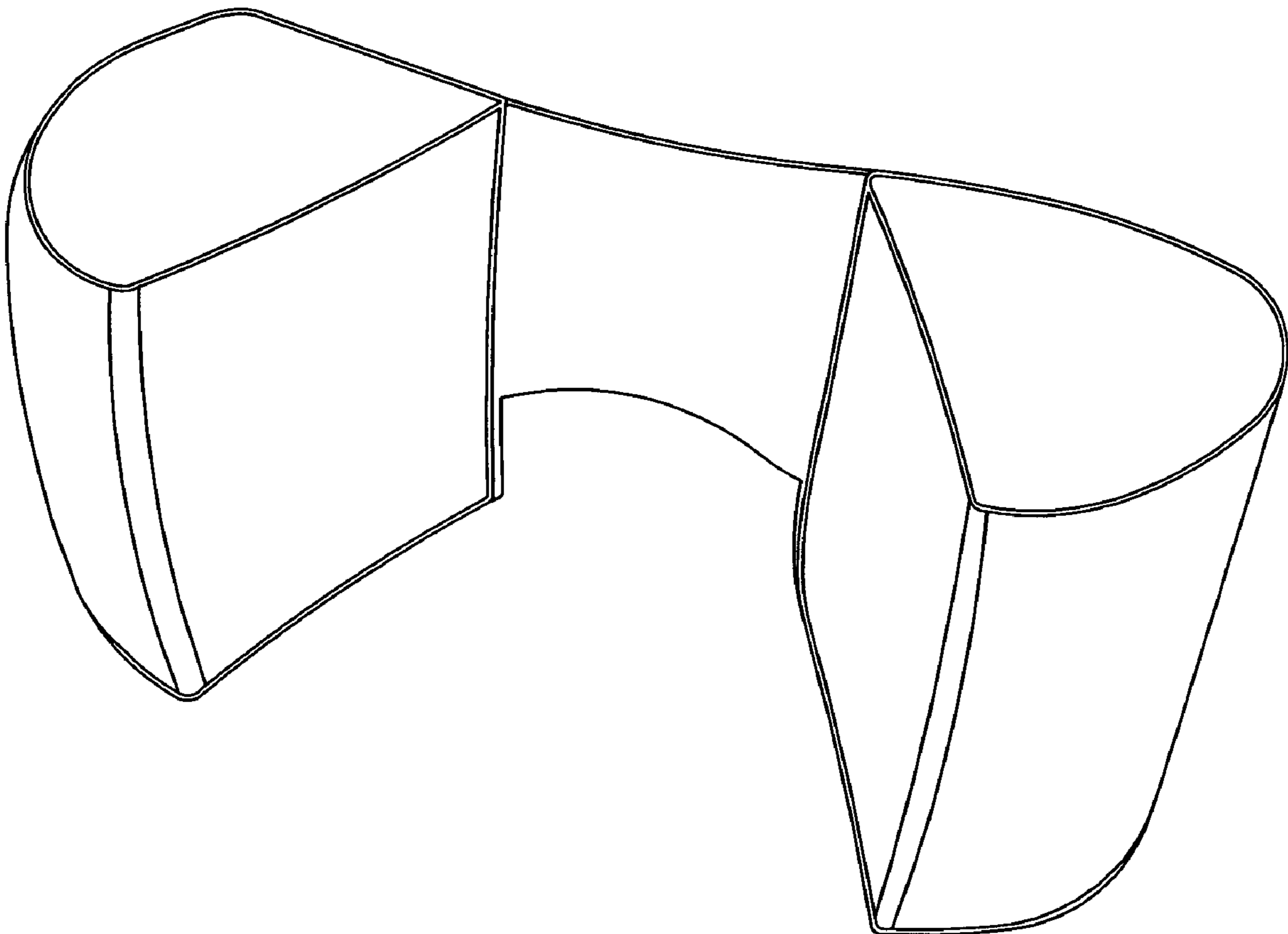
FIG. 4 is a top plan view thereof;

FIG. 5 is a bottom plan view thereof;

FIG. 6 is a right side elevational view thereof; and,

FIG. 7 is a left side elevational view thereof.

1 Claim, 4 Drawing Sheets



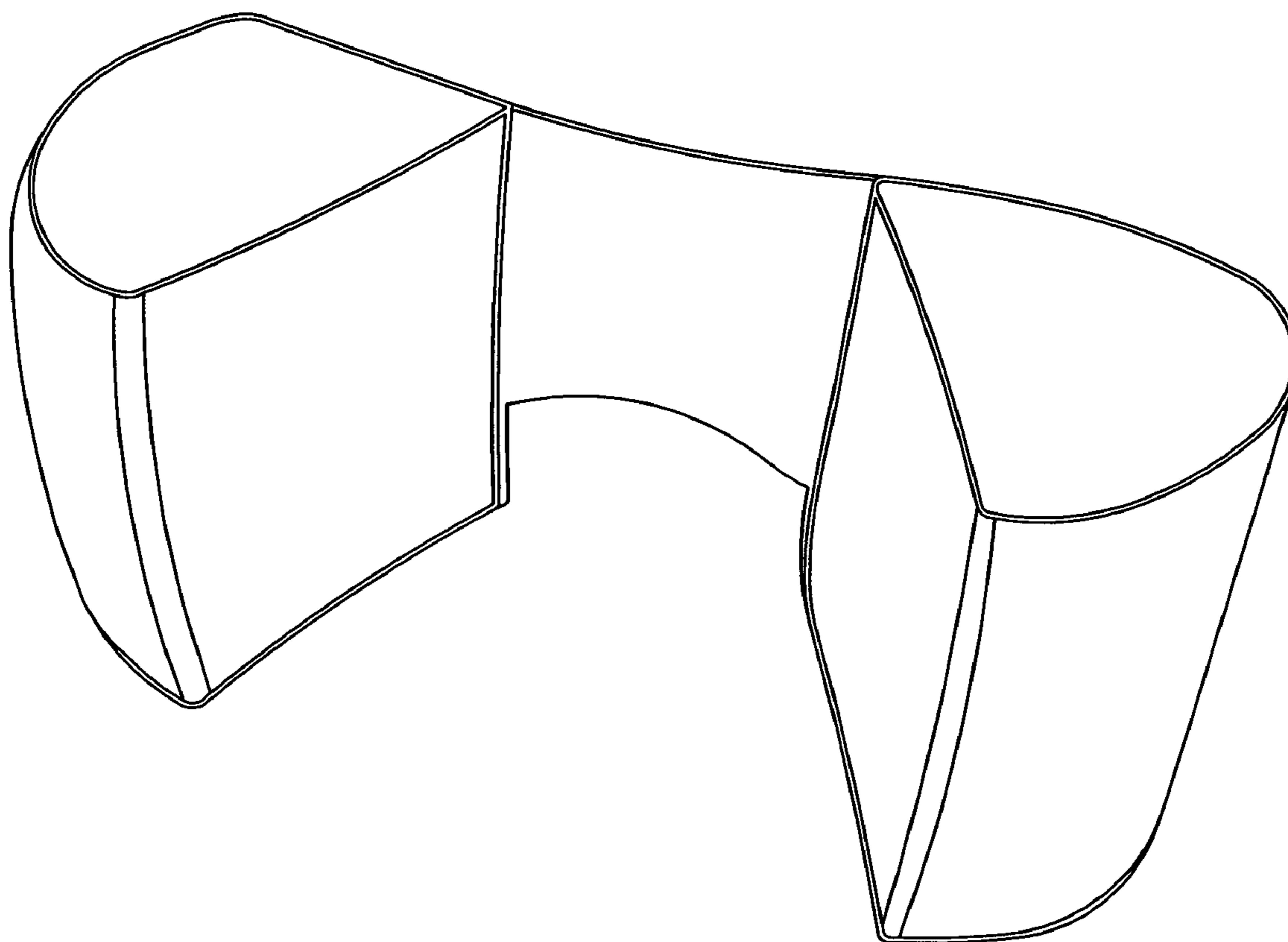


FIG. 1

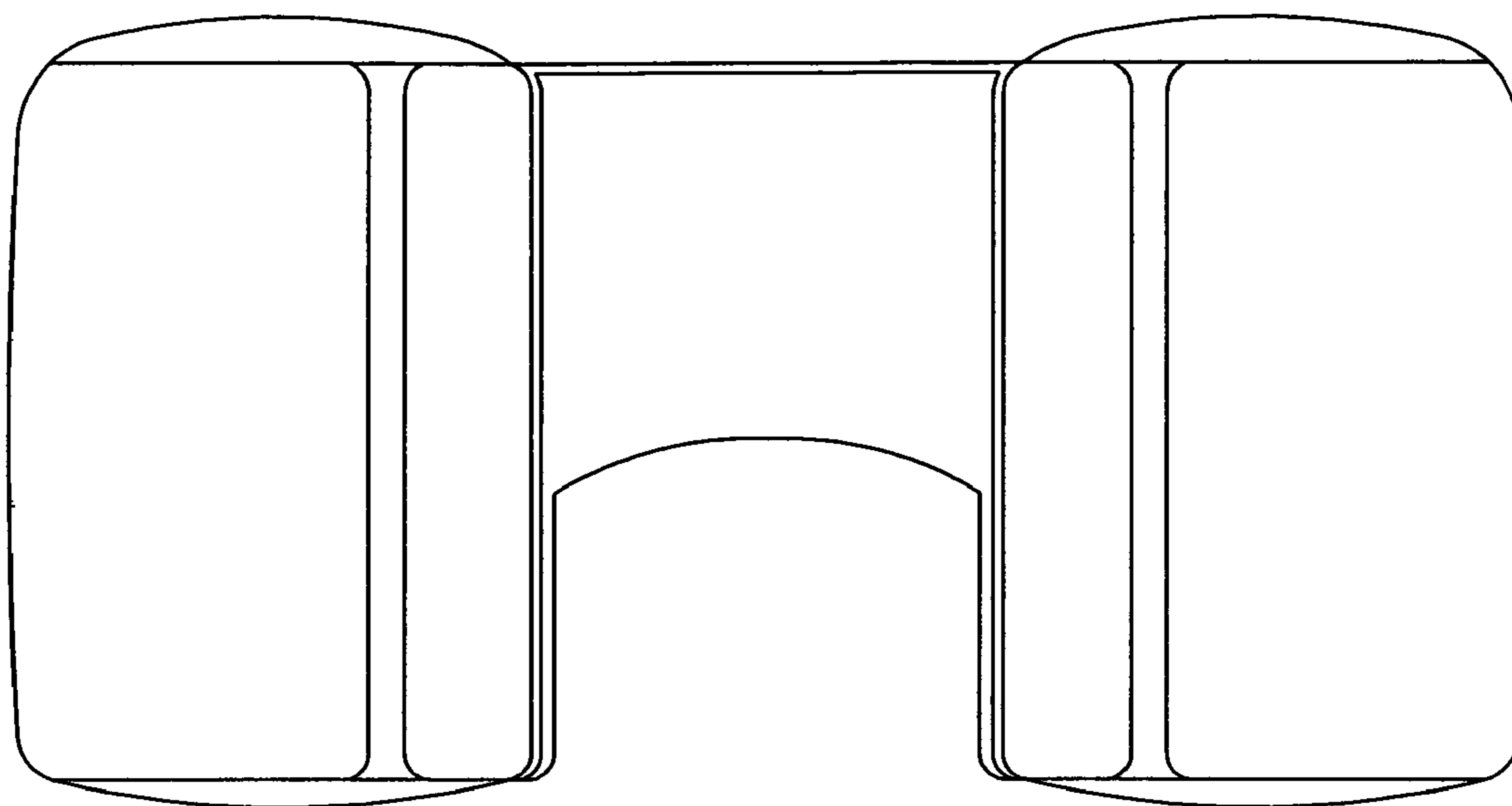


FIG. 2

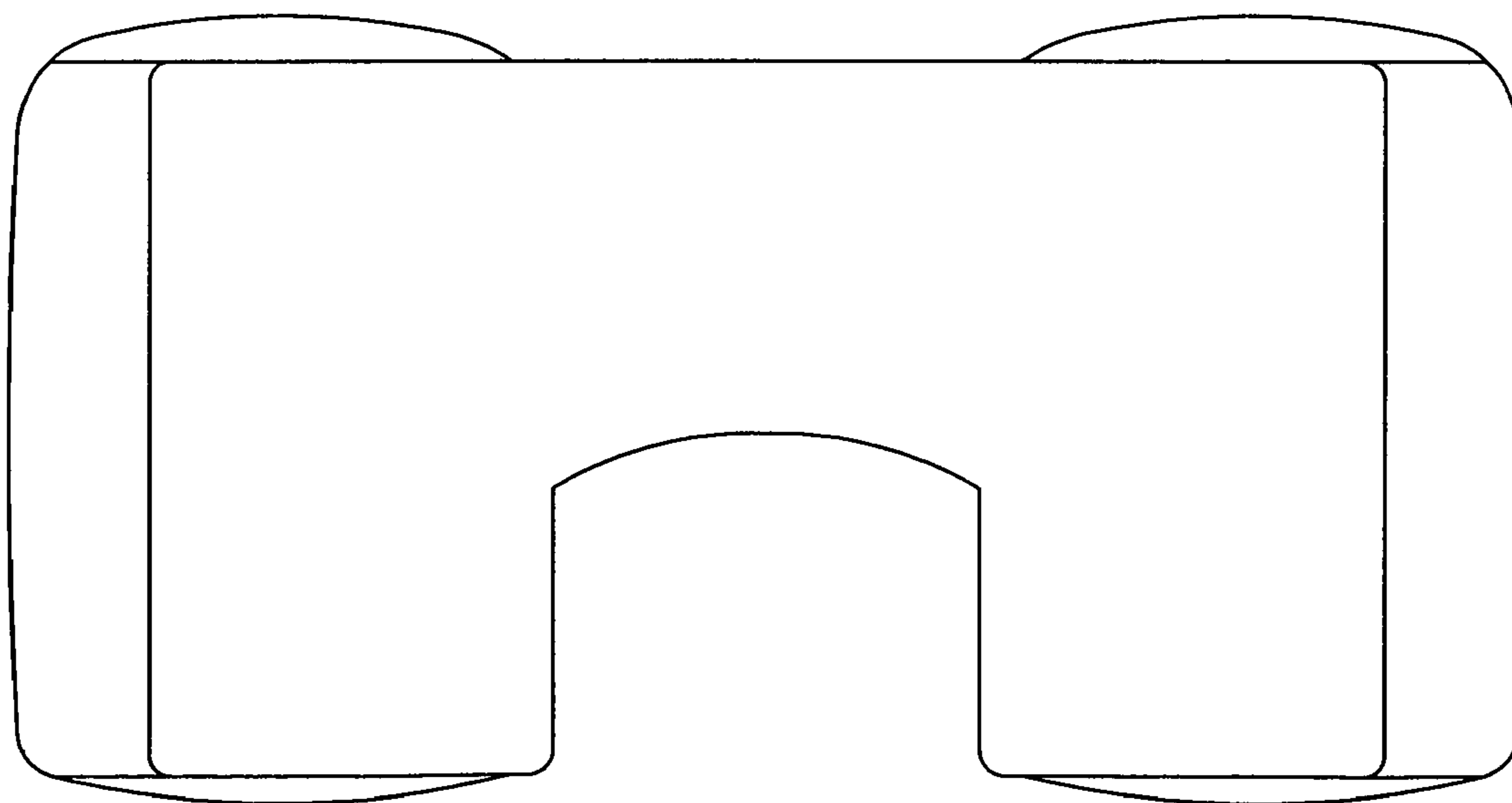


FIG. 3

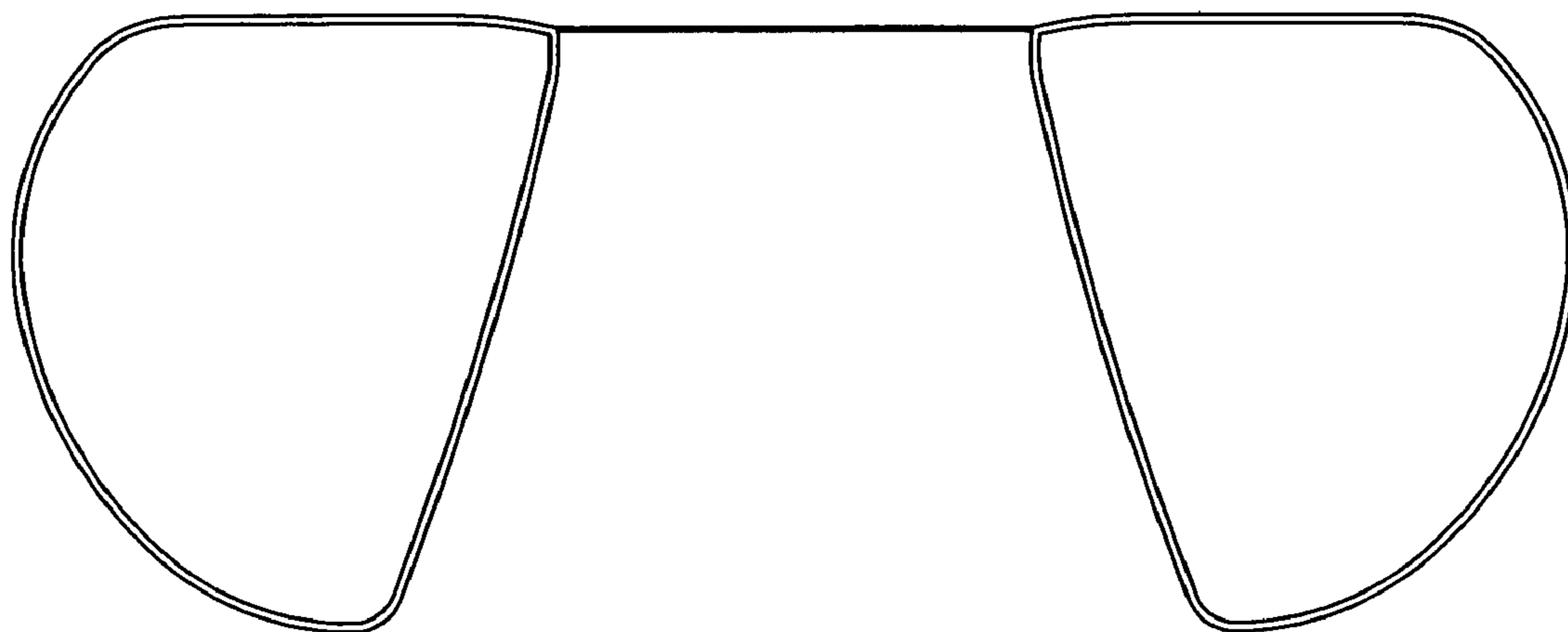


FIG. 4

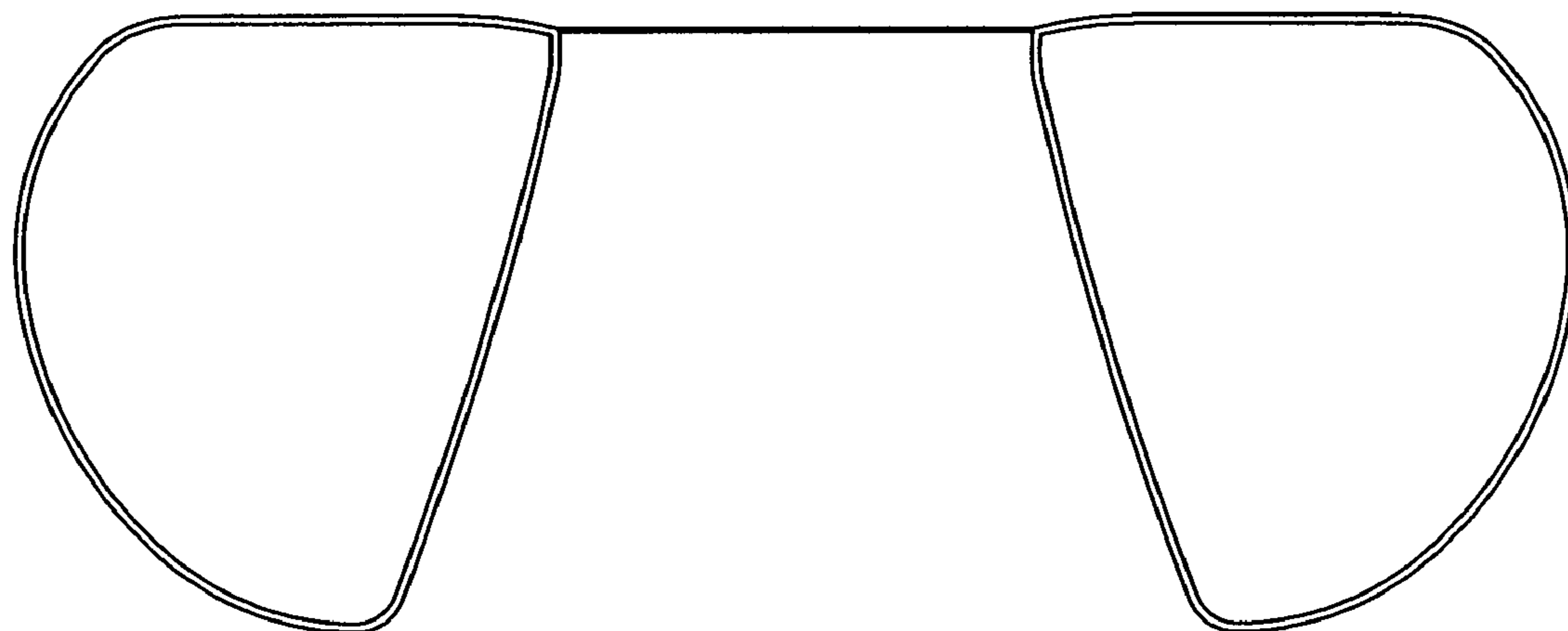


FIG. 5

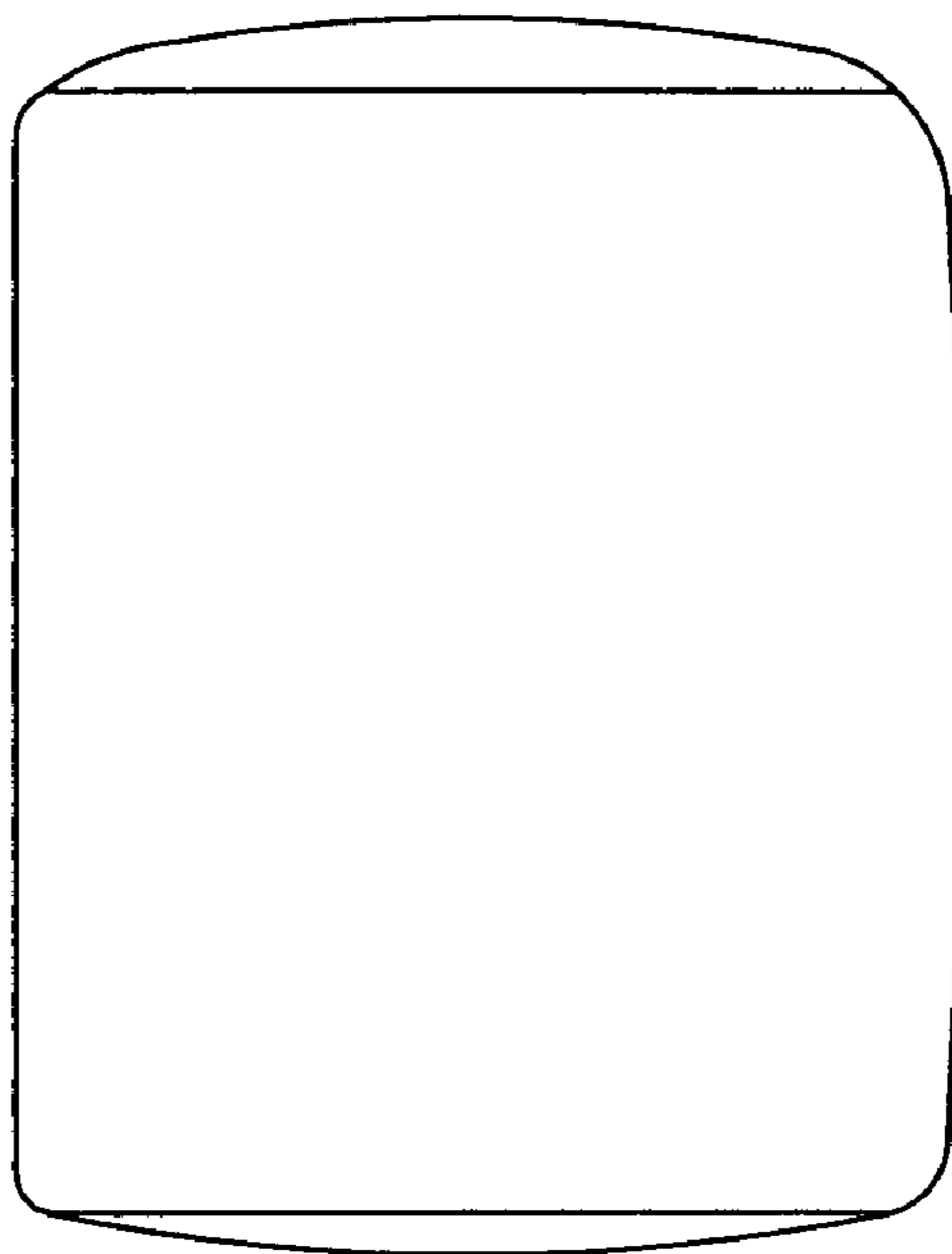


FIG. 6

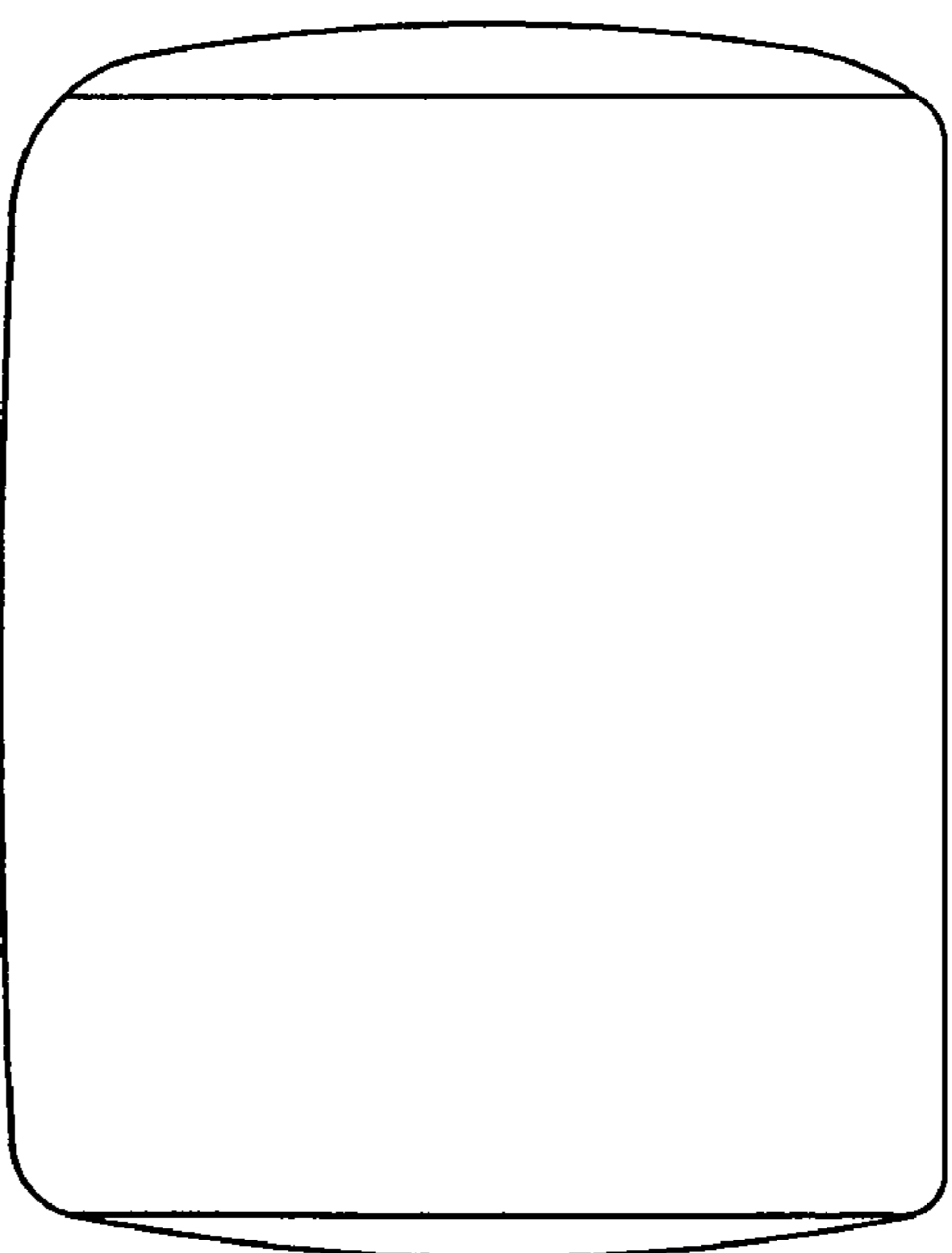


FIG. 7