



US00D604547S

(12) **United States Design Patent**
Chang

(10) **Patent No.:** **US D604,547 S**

(45) **Date of Patent:** **** Nov. 24, 2009**

(54) **DEPOSING RACK FOR FISHING POLE**

6,250,480 B1 * 6/2001 McGuinness D6/552
D493,056 S * 7/2004 Shornak D6/552
D555,960 S * 11/2007 Pena D6/552

(76) Inventor: **Liang Jen Chang**, 128 Industry,
Tangxia, Dongguan, Guangdong (CN)

* cited by examiner

(**) Term: **14 Years**

Primary Examiner—Brian N Vinson

(74) *Attorney, Agent, or Firm*—Banger Shia

(21) Appl. No.: **29/333,994**

(57) **CLAIM**

(22) Filed: **Mar. 18, 2009**

The ornamental design for depositing rack for fishing pole, as shown and described.

(51) **LOC (9) Cl.** **08-08**

(52) **U.S. Cl.** **D6/552**

(58) **Field of Classification Search** D6/329,
D6/396, 417, 552, 553, 567; D21/385, 662,
D21/698; 211/13.1, 49.1, 60.1, 64, 70.5,
211/86.01, 87.01, 88.01, 89.01, 181.1; 248/560,
248/121, 175, 200, 302, 304, 309.1, 310,
248/312

See application file for complete search history.

DESCRIPTION

FIG. 1 is a perspective view of depositing rack for fishing pole, showing my present design thereof;

FIG. 2 is a front elevation view thereof;

FIG. 3 is a rear elevation view thereof;

FIG. 4 is a left side elevation view thereof;

FIG. 5 is a right side elevation view thereof;

FIG. 6 is a top plan view thereof; and,

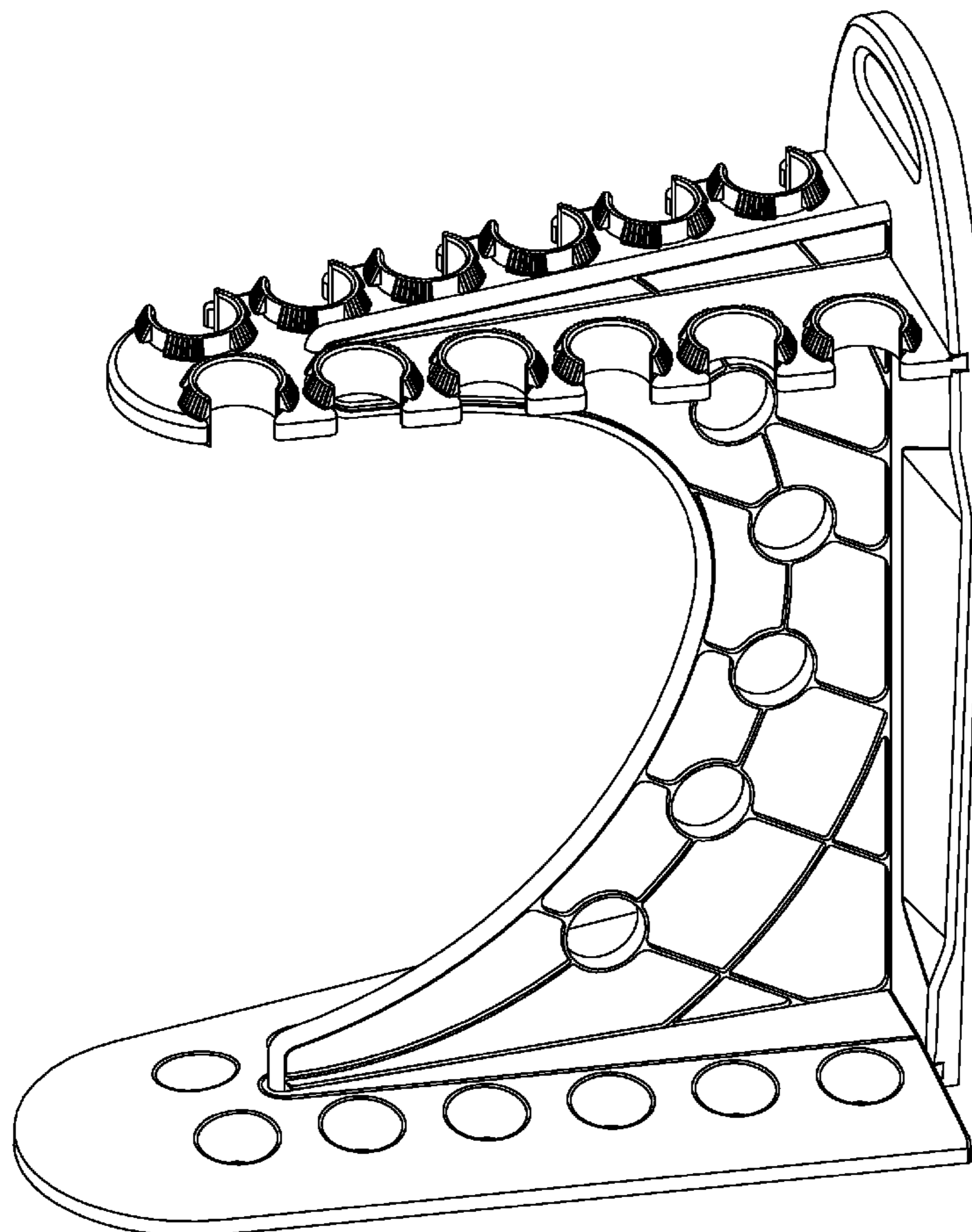
FIG. 7 is a bottom plan view thereof.

(56) **References Cited**

U.S. PATENT DOCUMENTS

5,657,883 A * 8/1997 Badia 211/60.1
D406,483 S * 3/1999 Bast D6/552

1 Claim, 7 Drawing Sheets



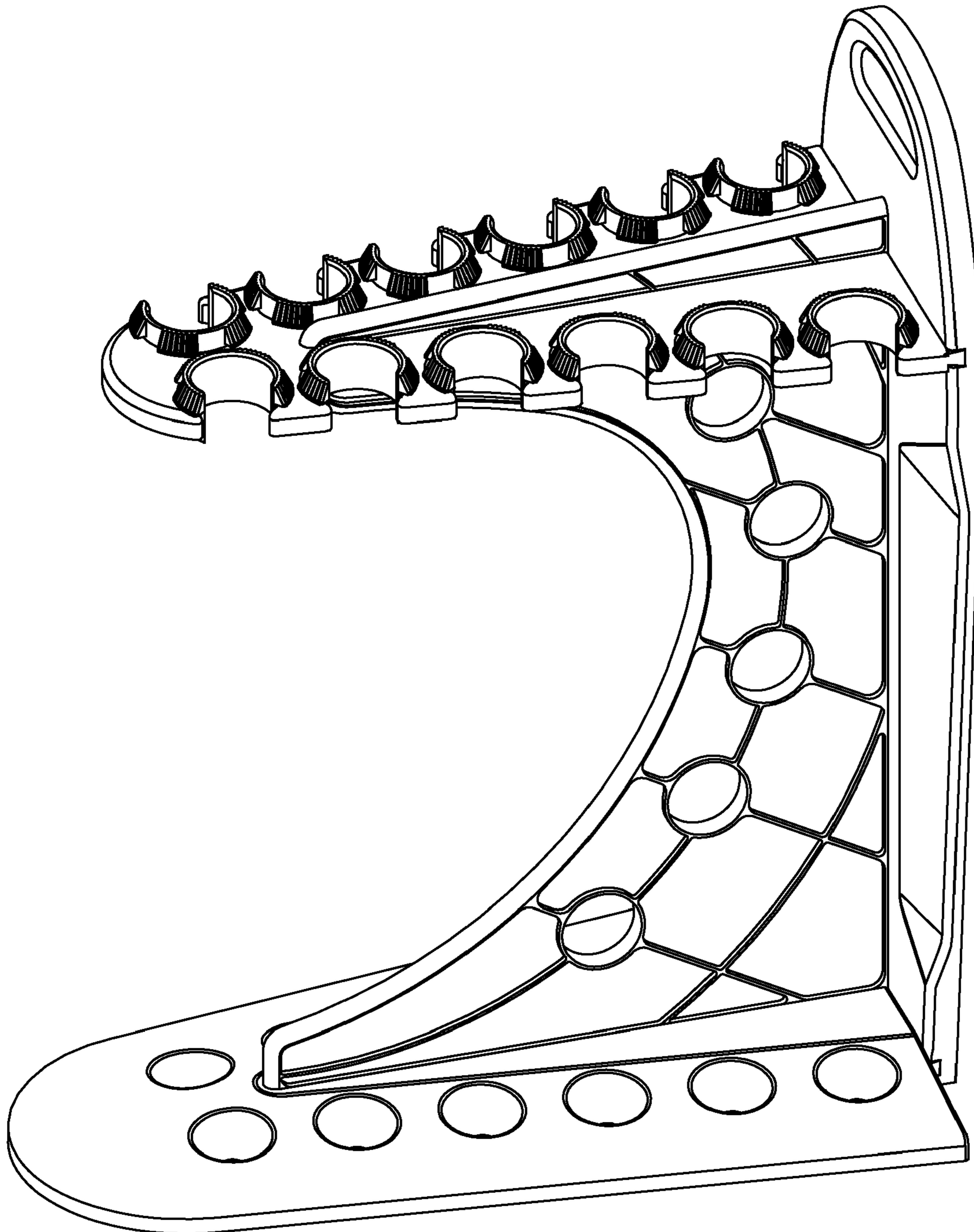


FIG. 1

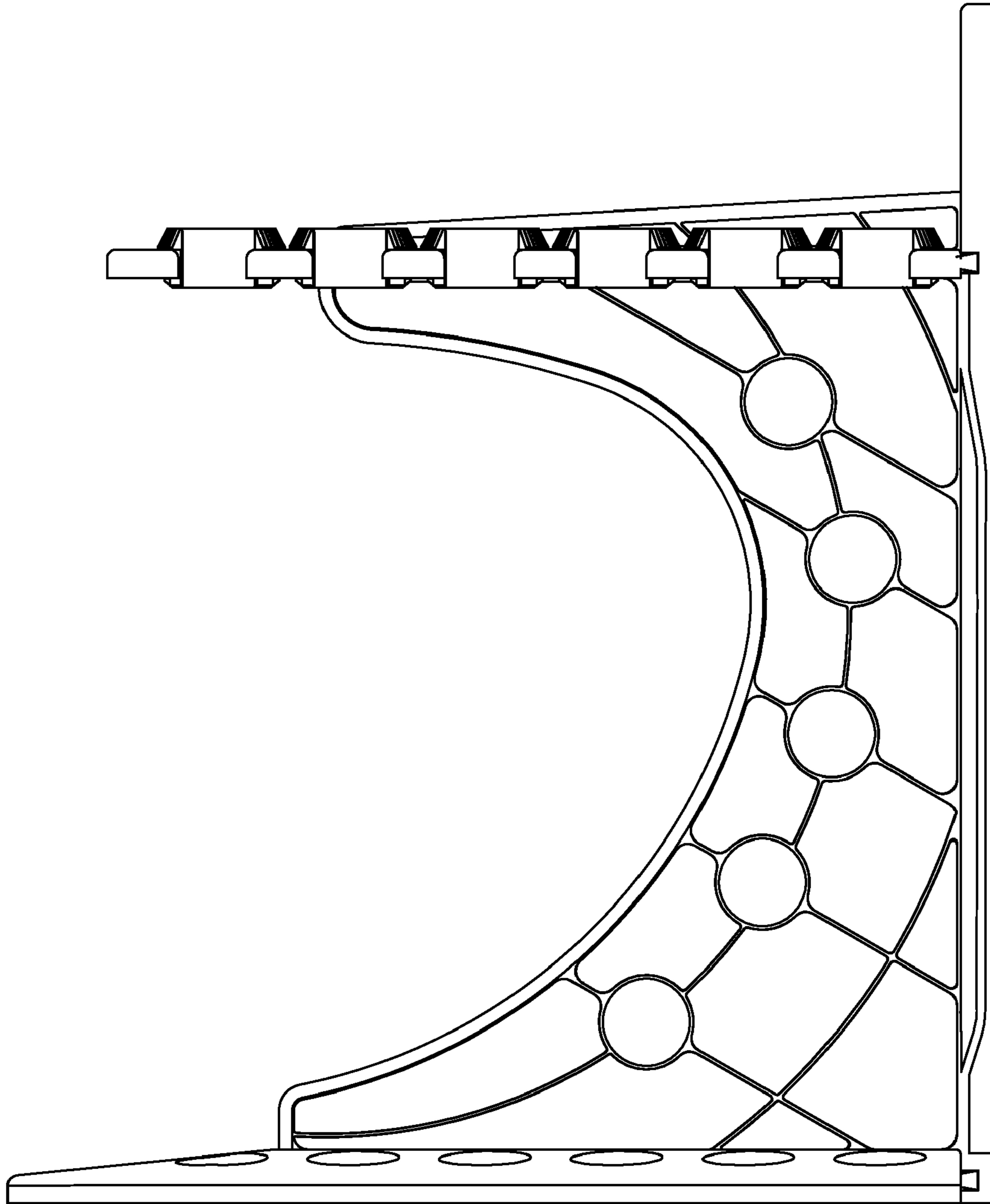


FIG. 2

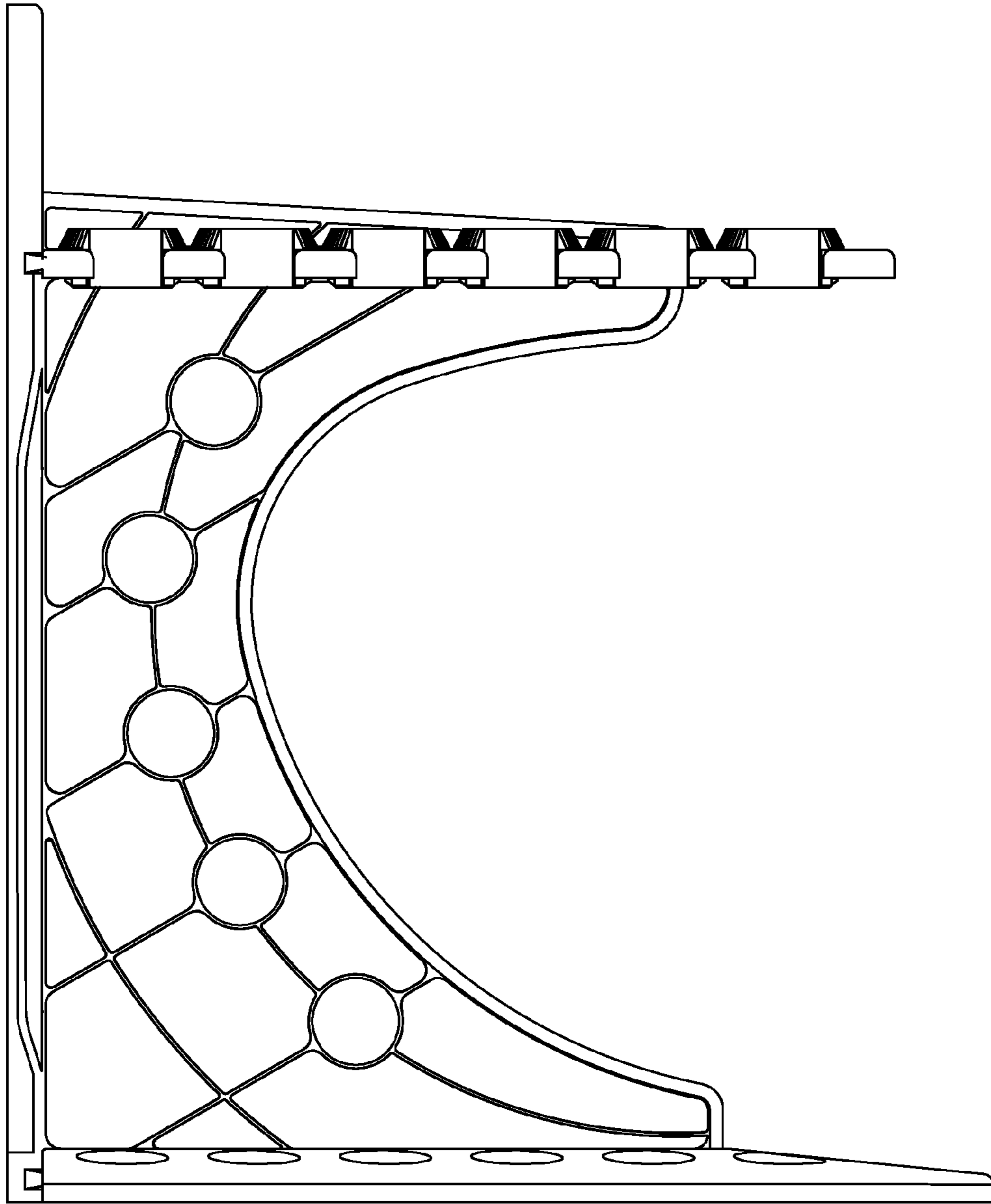


FIG.3

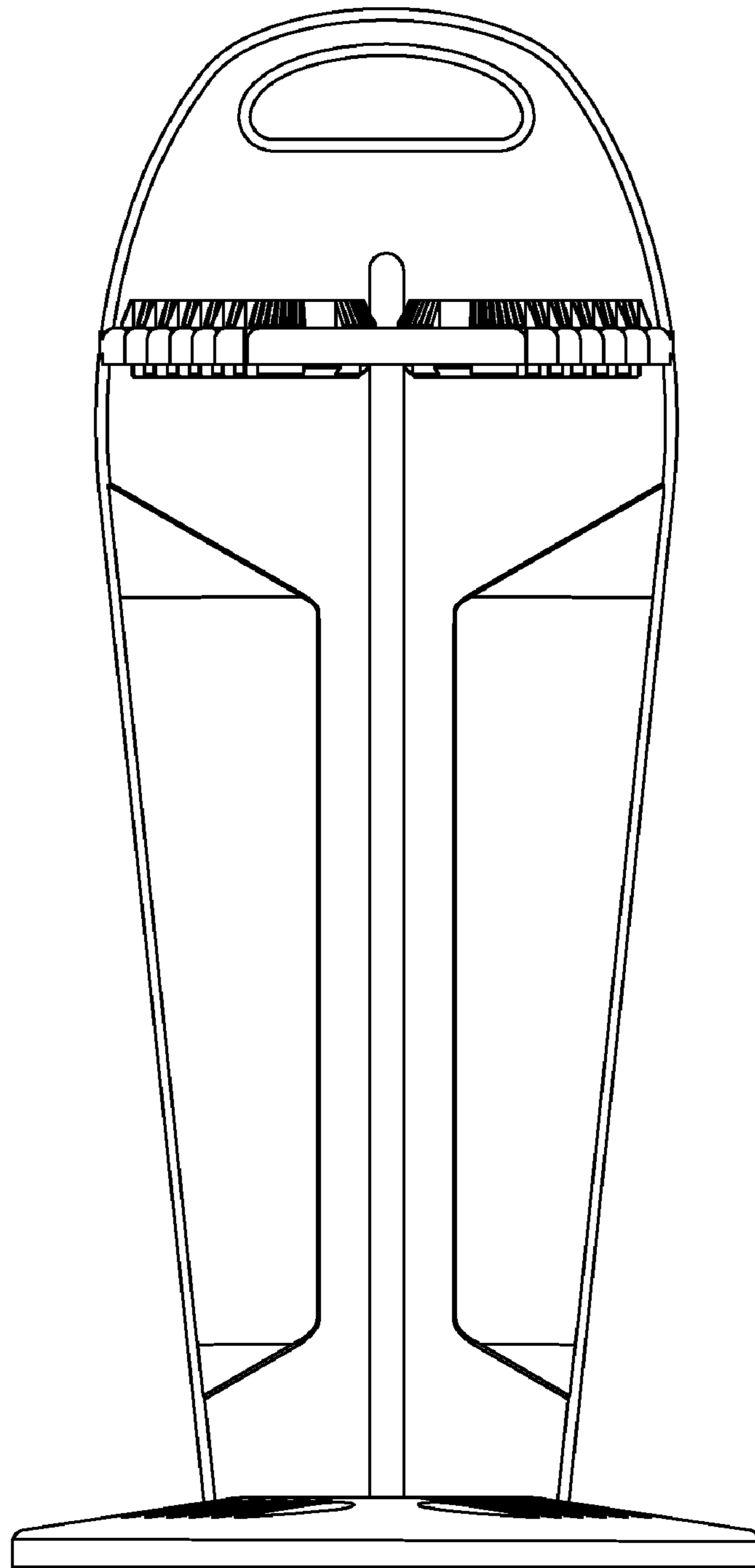


FIG. 4

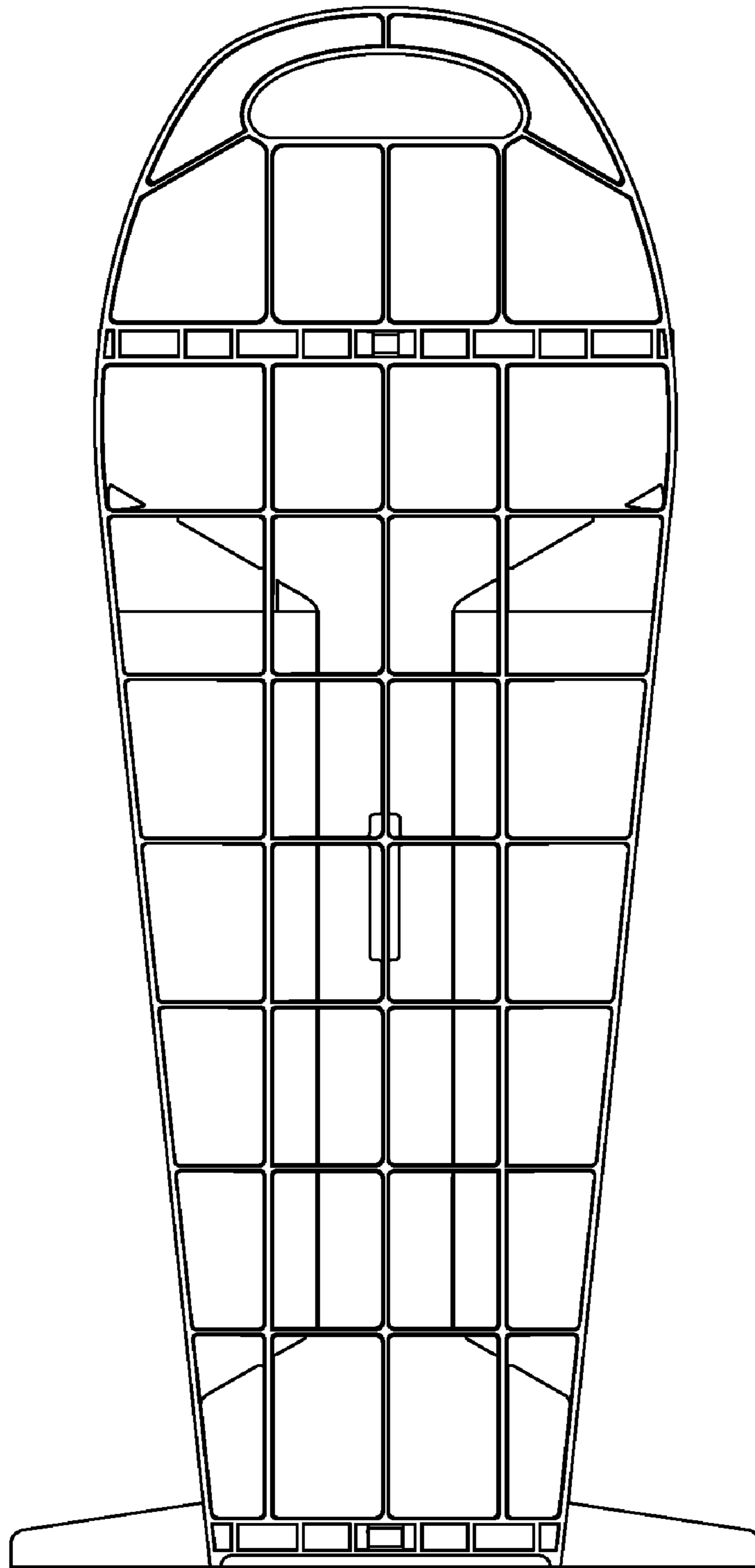


FIG. 5

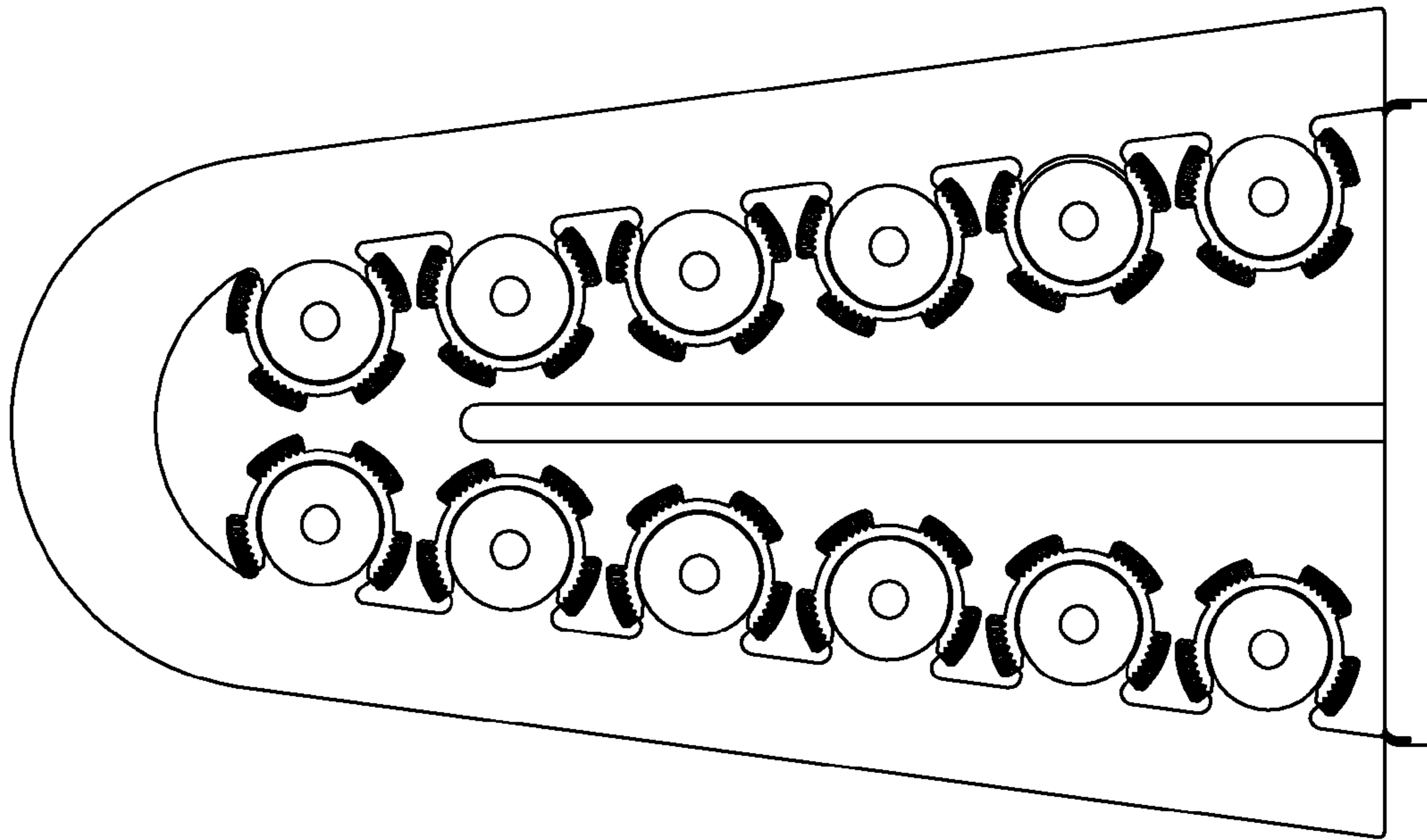


FIG. 6

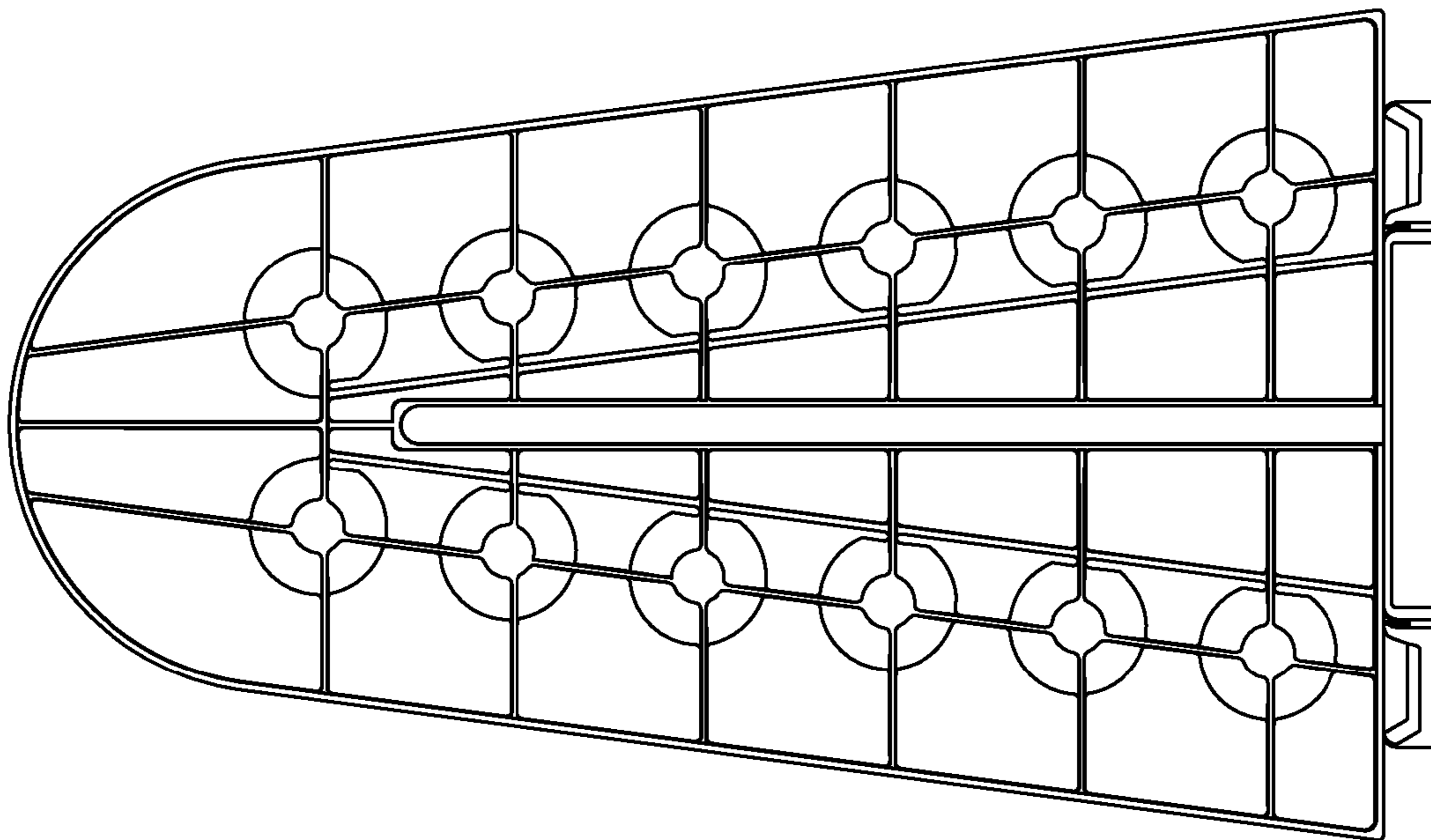


FIG. 7