



US00D604546S

(12) **United States Design Patent**  
**Alman et al.**

(10) **Patent No.:** **US D604,546 S**  
(45) **Date of Patent:** **\*\* Nov. 24, 2009**

(54) **FLOATING BASEBALL, TENNIS BALL, GOLF BALL, OR HOCKEY PUCK DISPLAY CASE**

D425,352 S \* 5/2000 Paskan ..... D6/552

\* cited by examiner

(75) Inventors: **Norman H. Alman**, Coral Springs, FL (US); **Steve Block**, Plantation, FL (US); **Gerald Davis**, Davie, FL (US)

*Primary Examiner*—Brian N Vinson

(74) *Attorney, Agent, or Firm*—Jamin Rubenstein, P.L.; Jamin Douglas Rubenstein

(73) Assignee: **Caseworks International, Inc.**, Tamaral, FL (US)

(57) **CLAIM**

The ornamental design for a floating baseball, tennis ball, golf ball, or hockey puck display case, as shown and described.

(\*\*) Term: **14 Years**

(21) Appl. No.: **29/333,114**

**DESCRIPTION**

(22) Filed: **Mar. 3, 2009**

FIG. 1 is a perspective view of the display case, displaying a baseball or tennis ball;

(51) **LOC (9) Cl.** ..... **08-08**

FIG. 2 is a perspective view of the display case, displaying a hockey puck;

(52) **U.S. Cl.** ..... **D6/552**

(58) **Field of Classification Search** ..... D6/329, D6/396, 417, 552, 553, 567; D21/385, 662, D21/698; 211/13.1, 49.1, 60.1, 64, 70.5, 211/86.01, 87.01, 88.01, 89.01, 181.1; 248/560, 248/121, 175, 200, 302, 304, 309.1, 310, 248/312

FIG. 3 is a perspective view of the display case, displaying a golf ball;

FIG. 4 is a front elevation view of the display case thereof;

FIG. 5 is a side elevation view of the display case thereof;

FIG. 6 is a top view of the display case thereof; and,

FIG. 7 is a bottom view of the display case.

See application file for complete search history.

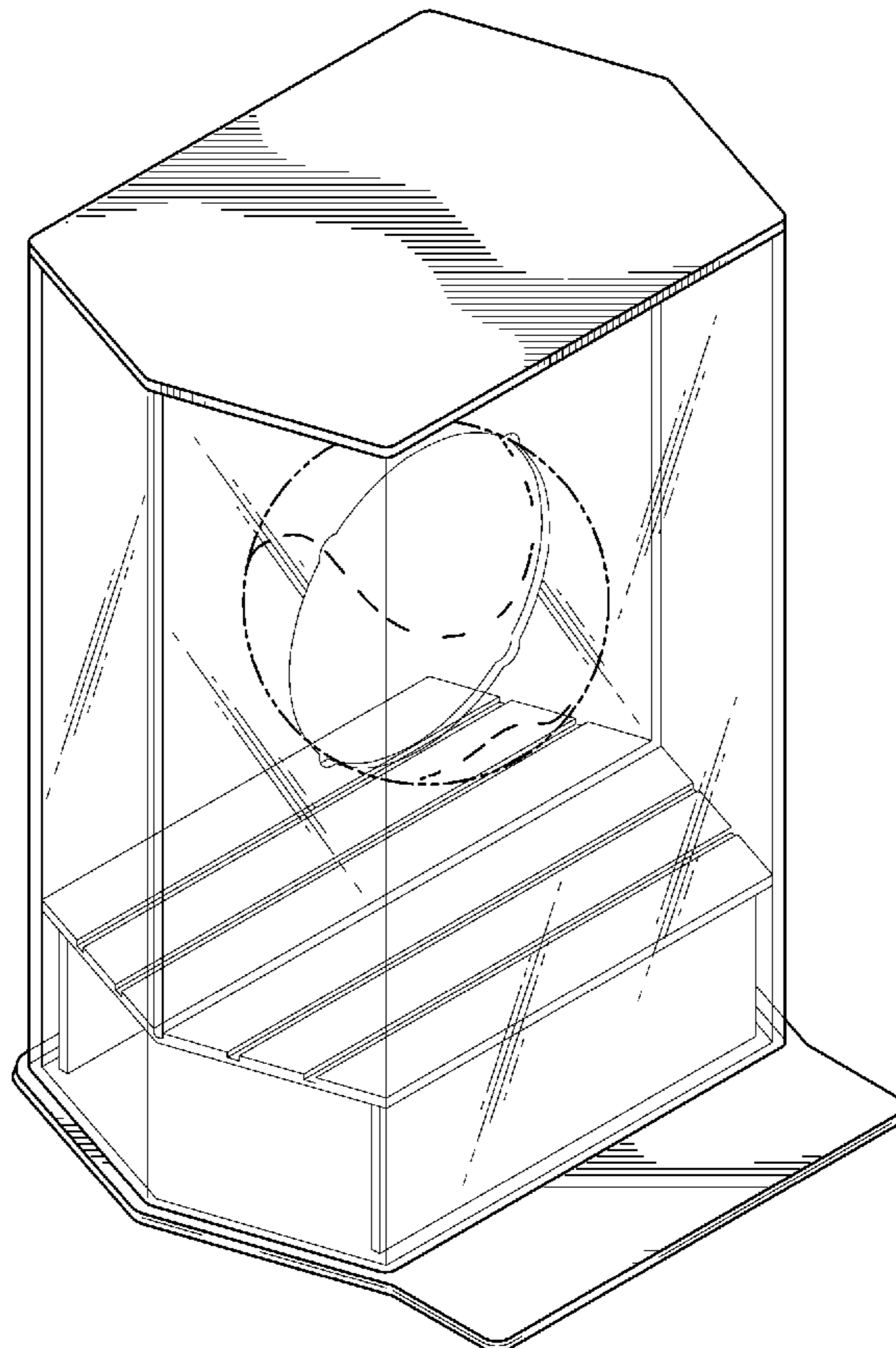
The broken lines shown in FIG. 1, FIG. 2, and FIG. 3 are for illustrative purposes only and form no part of the claimed design.

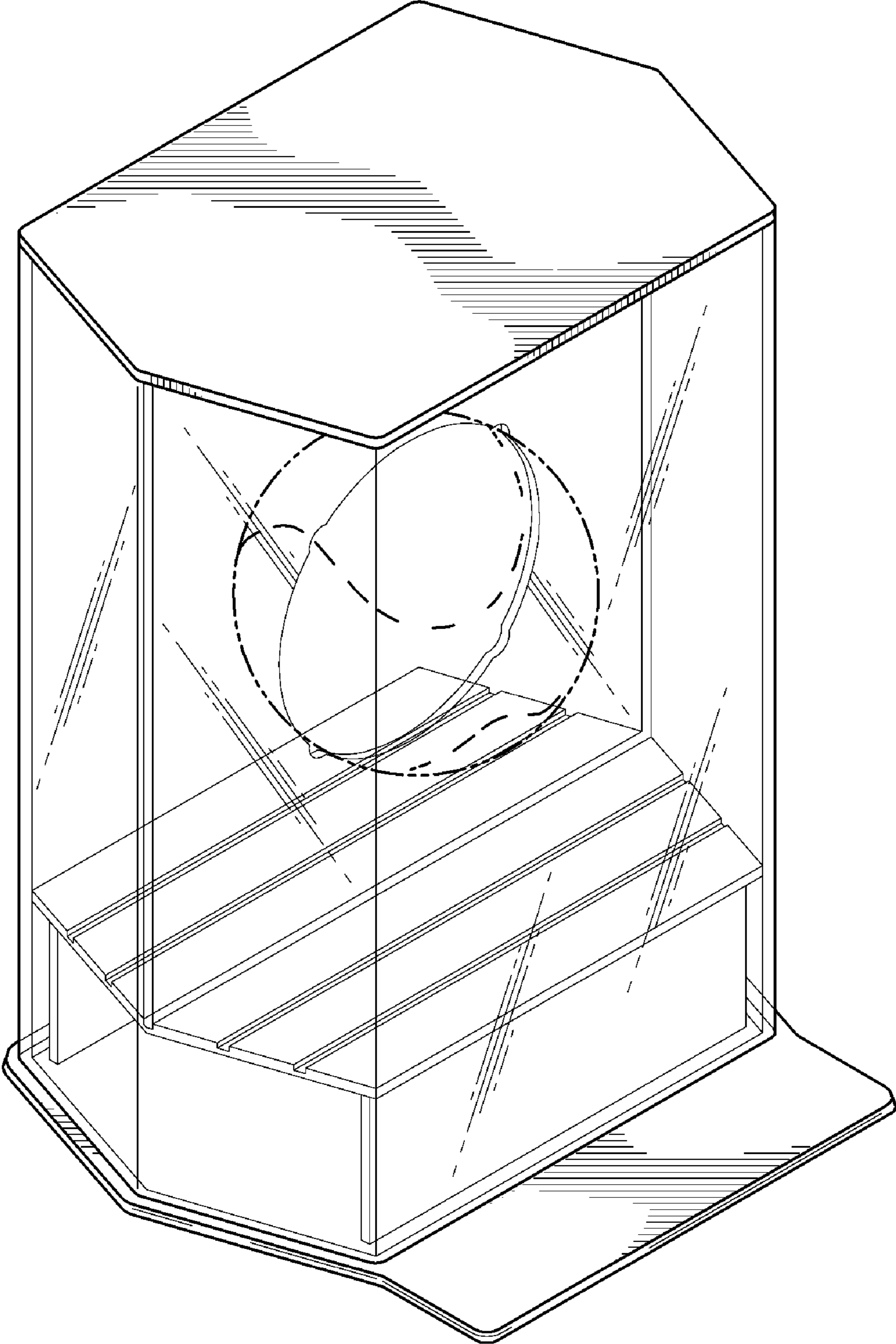
(56) **References Cited**

**U.S. PATENT DOCUMENTS**

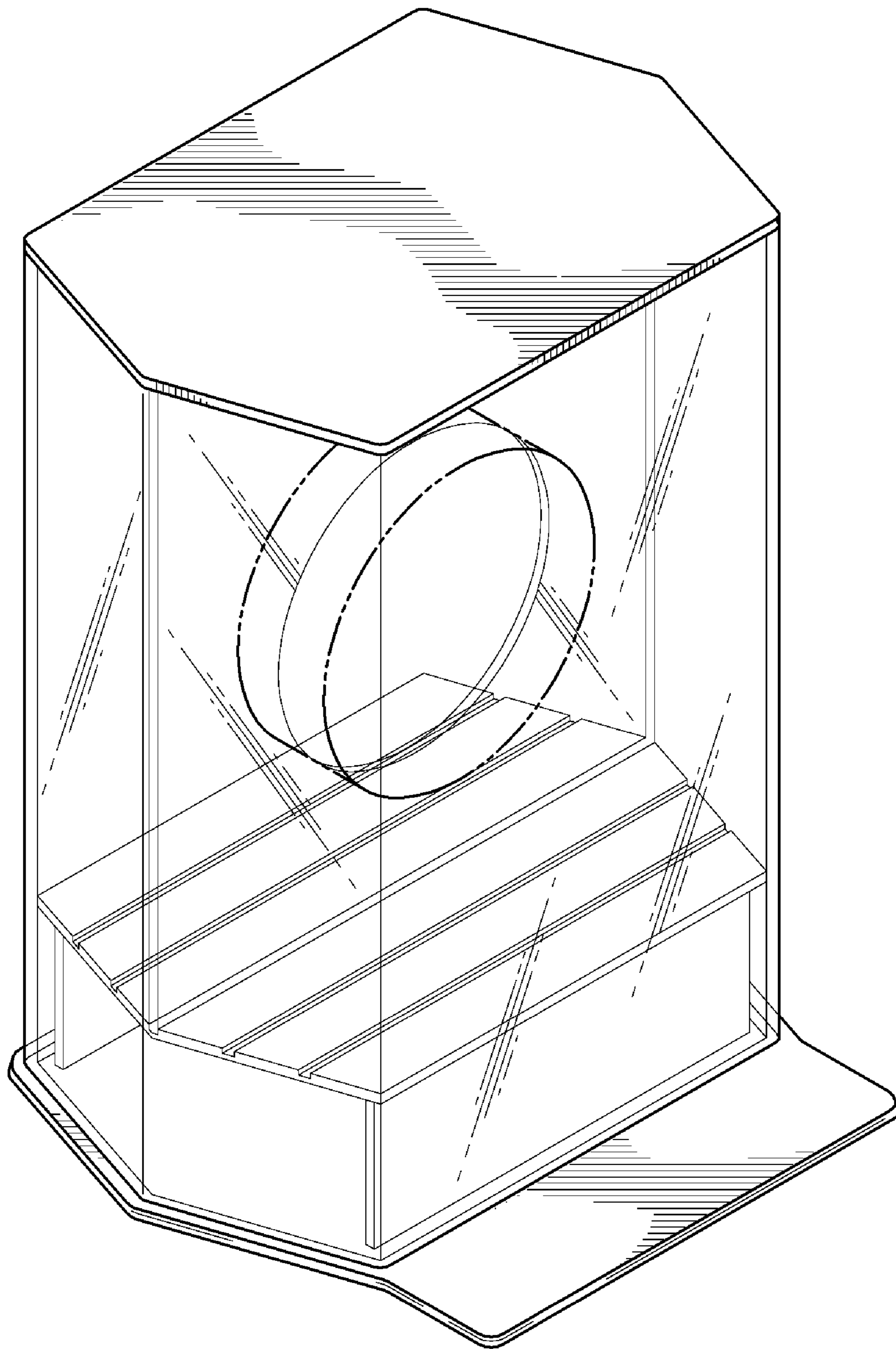
D346,520 S \* 5/1994 Barfield ..... D6/552  
D363,184 S \* 10/1995 Elhage ..... D6/552

**1 Claim, 5 Drawing Sheets**



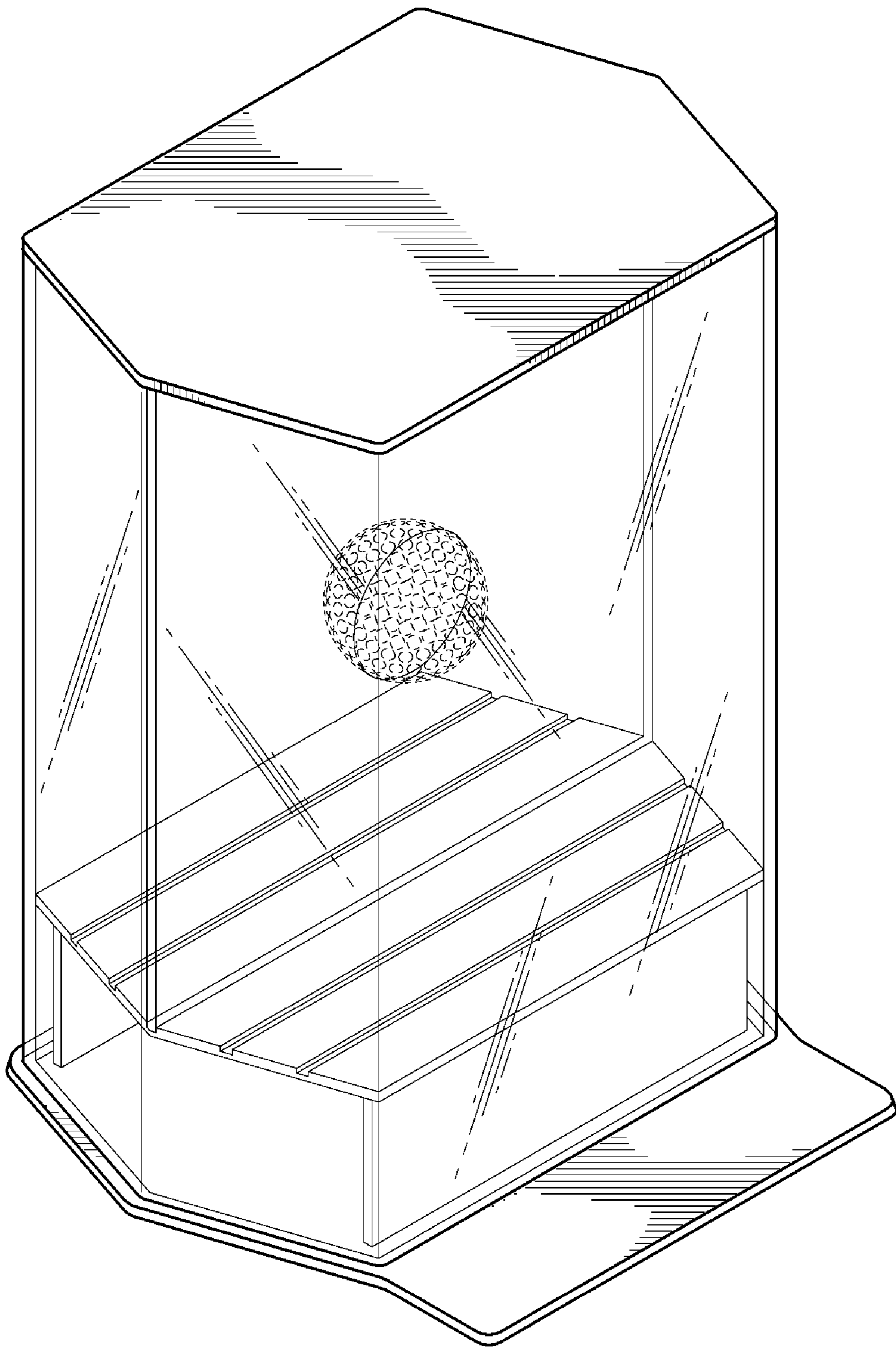


*Fig. 1*

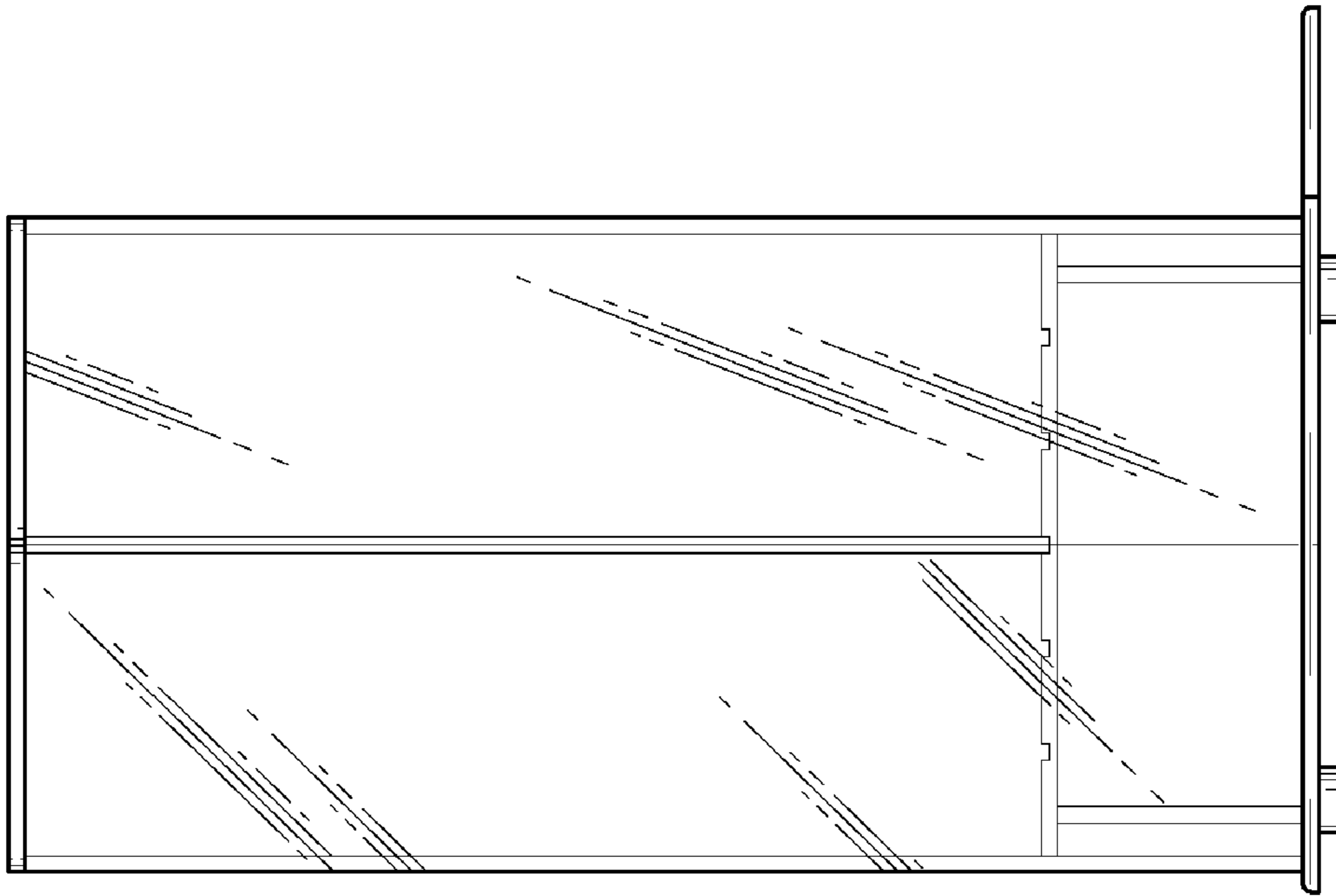


*Fig. 2*

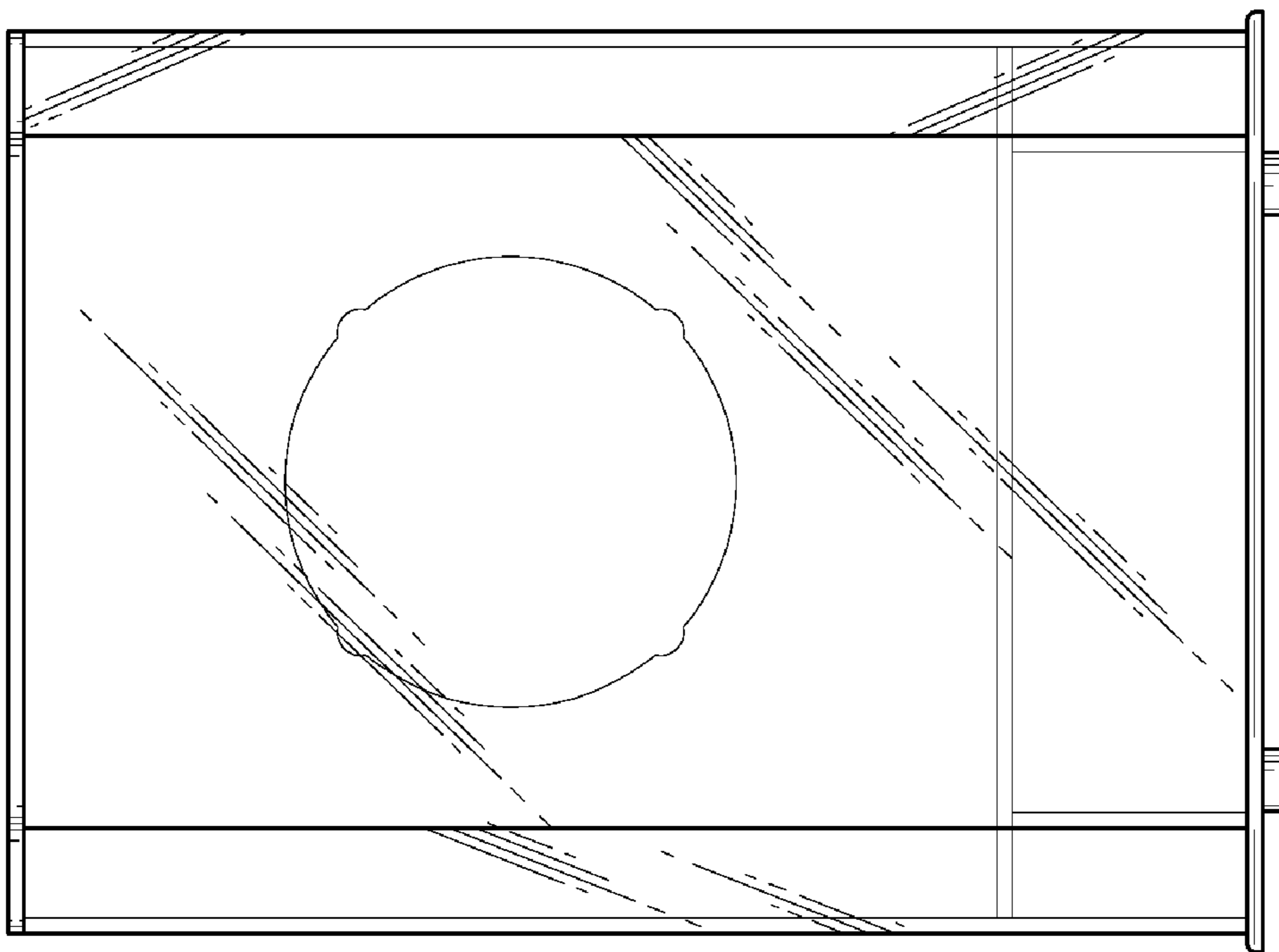




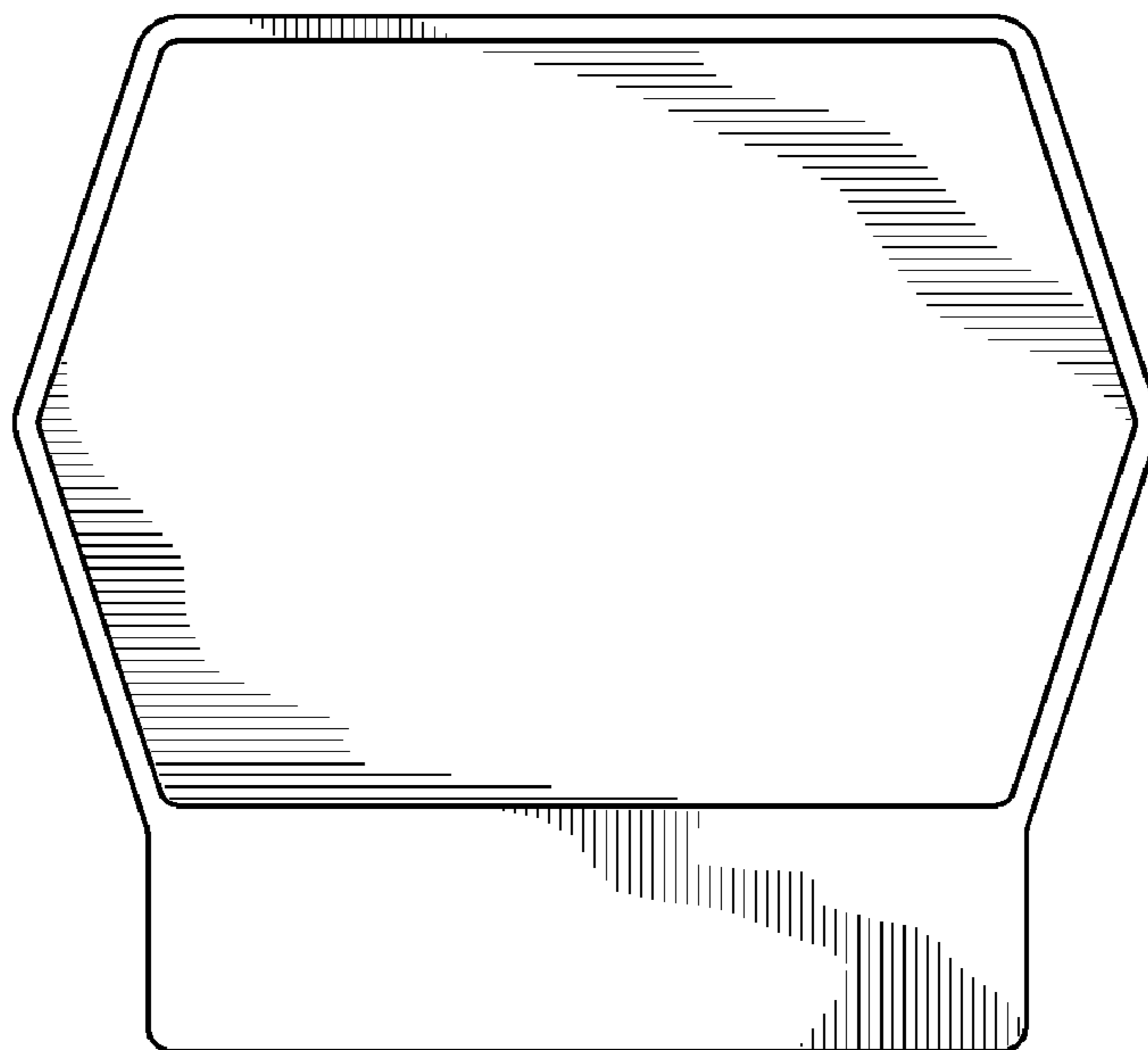
*Fig. 3*



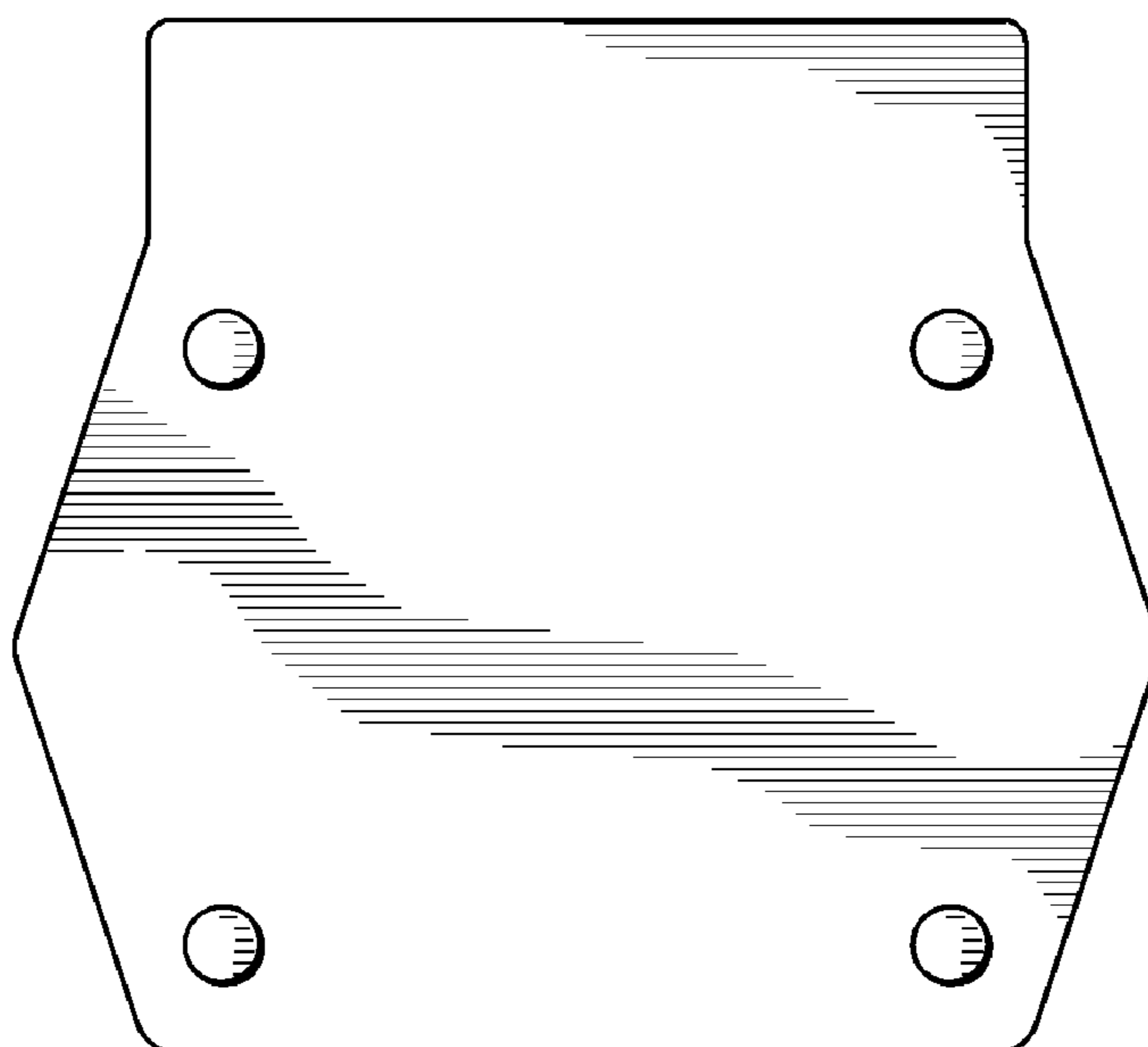
*Fig. 5*



*Fig. 4*



*Fig. 6*



*Fig. 7*