



US00D604543S

(12) **United States Design Patent**  
**Urquiola**

(10) **Patent No.:** **US D604,543 S**

(45) **Date of Patent:** **\*\* Nov. 24, 2009**

(54) **TUMBLER HOLDER**

(75) Inventor: **Patricia Urquiola**, Milan (IT)

(73) Assignee: **Hansgrohe AG**, Schiltach (DE)

(\*\*) Term: **14 Years**

(21) Appl. No.: **29/333,647**

(22) Filed: **Mar. 12, 2009**

(30) **Foreign Application Priority Data**

Sep. 23, 2008 (EP) ..... 001007314-0006

(51) **LOC (9) Cl.** ..... **23-02**

(52) **U.S. Cl.** ..... **D6/535**

(58) **Field of Classification Search** ..... D6/535,  
D6/531, 540, 524, 553, 567; 206/426; 211/13.1,  
211/85.12, 70.7, 71.01, 74, 75, 86.01, 87.01;  
248/309.1, 311.2, 312.1, 314  
See application file for complete search history.

(56) **References Cited**

**U.S. PATENT DOCUMENTS**

D416,153 S \* 11/1999 Chen ..... D6/535

D425,742 S \* 5/2000 Duggan ..... D6/535  
D441,232 S \* 5/2001 Wu ..... D6/535  
D450,512 S \* 11/2001 Gottwald ..... D6/535

\* cited by examiner

*Primary Examiner*—Brian N Vinson

(74) *Attorney, Agent, or Firm*—Nirav D. Parikh; Edgar A. Zarins

(57) **CLAIM**

The ornamental design for a tumbler holder, as shown and described.

**DESCRIPTION**

FIG. 1 is a front perspective view of a tumbler holder showing my design;

FIG. 2 is a front elevational view thereof;

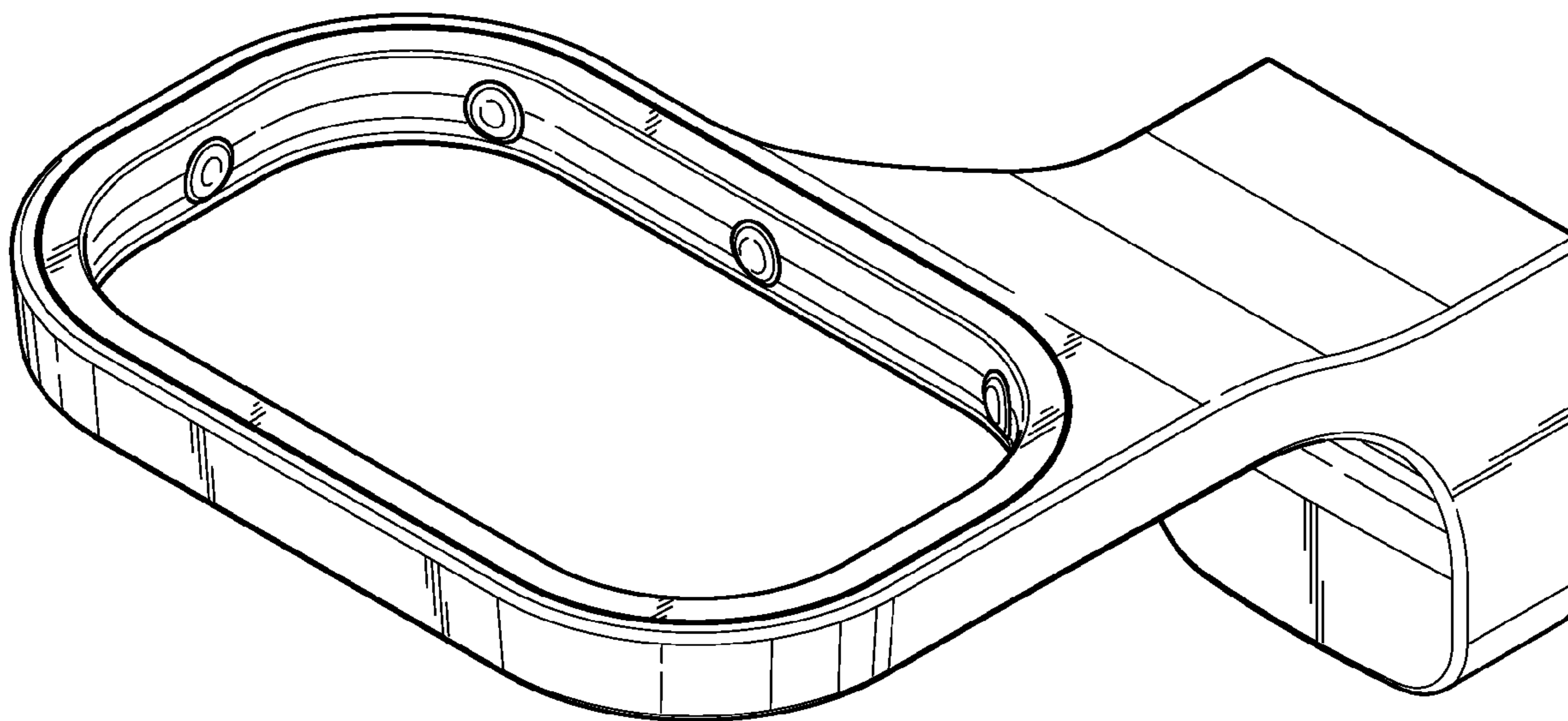
FIG. 3 is a left side elevational view thereof;

FIG. 4 is a right side elevational view being a mirror image thereof;

FIG. 5 is a top plan view thereof; and,

FIG. 6 is a bottom plan view thereof.

**1 Claim, 6 Drawing Sheets**



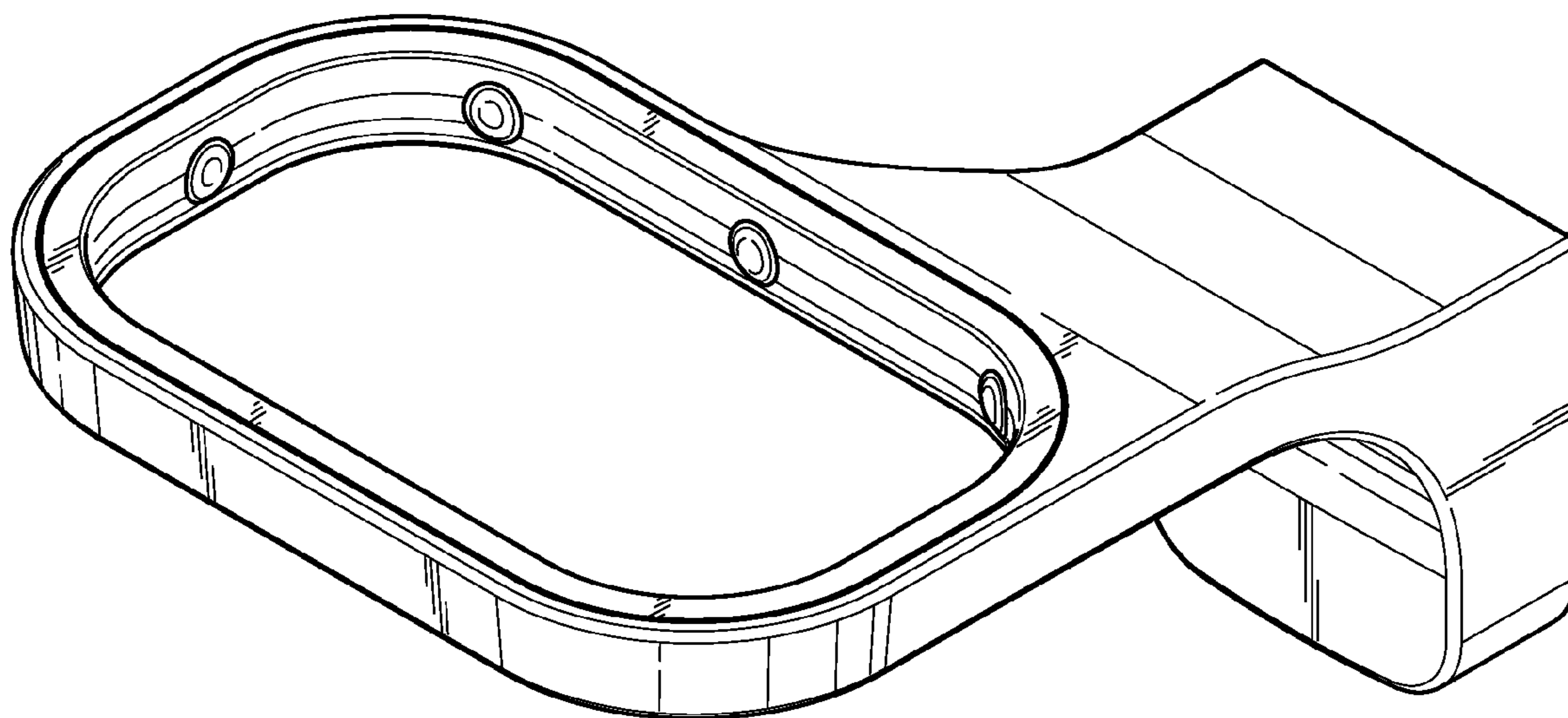


FIG. 1

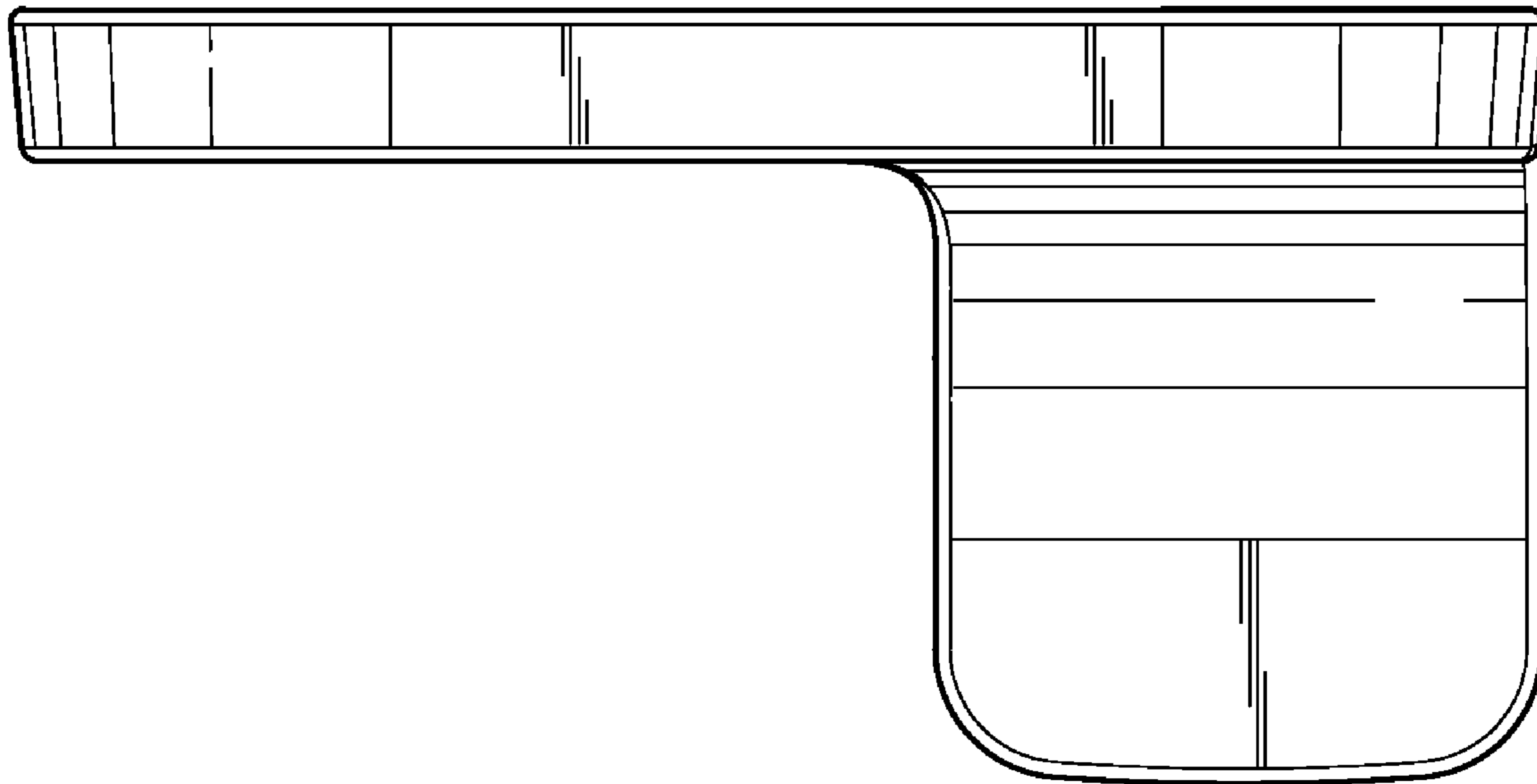


FIG. 2

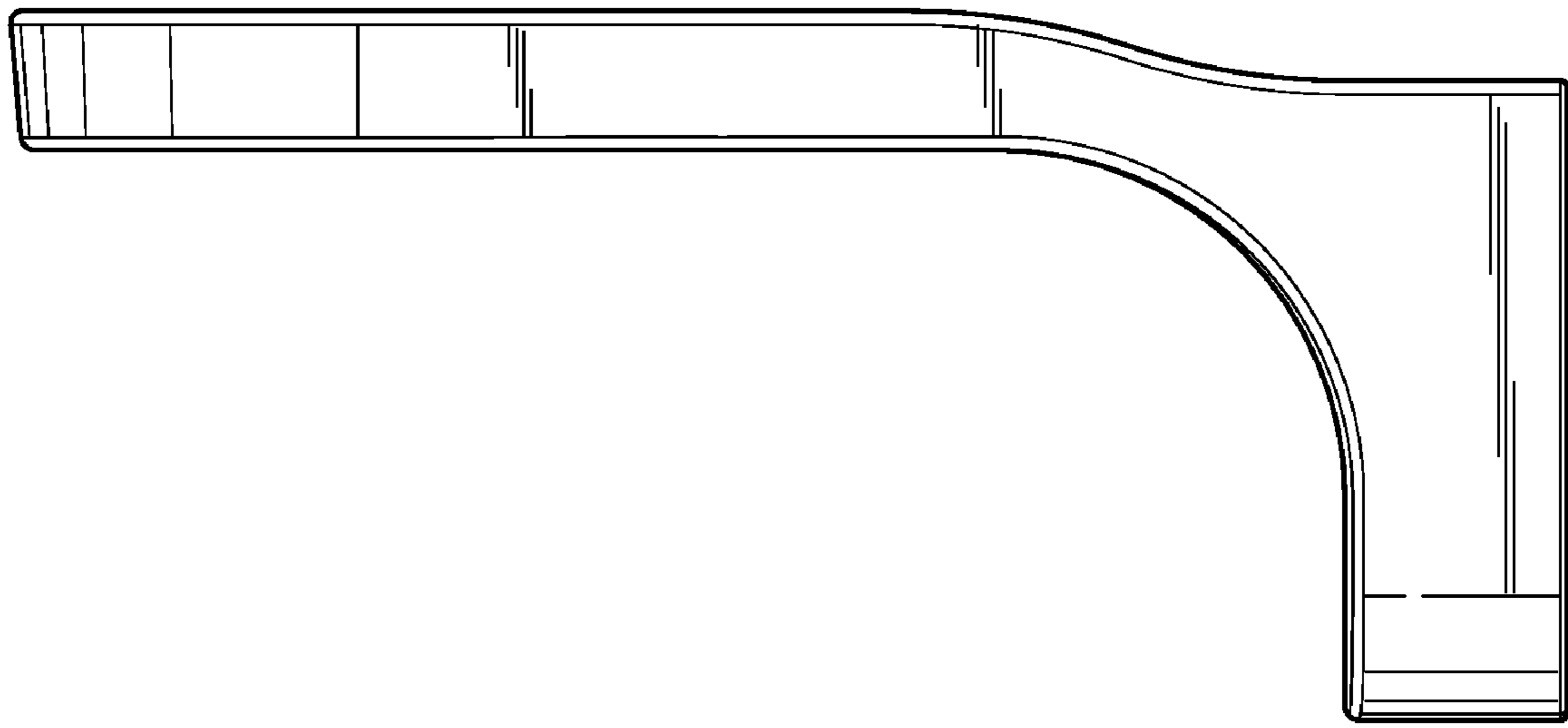


FIG. 3

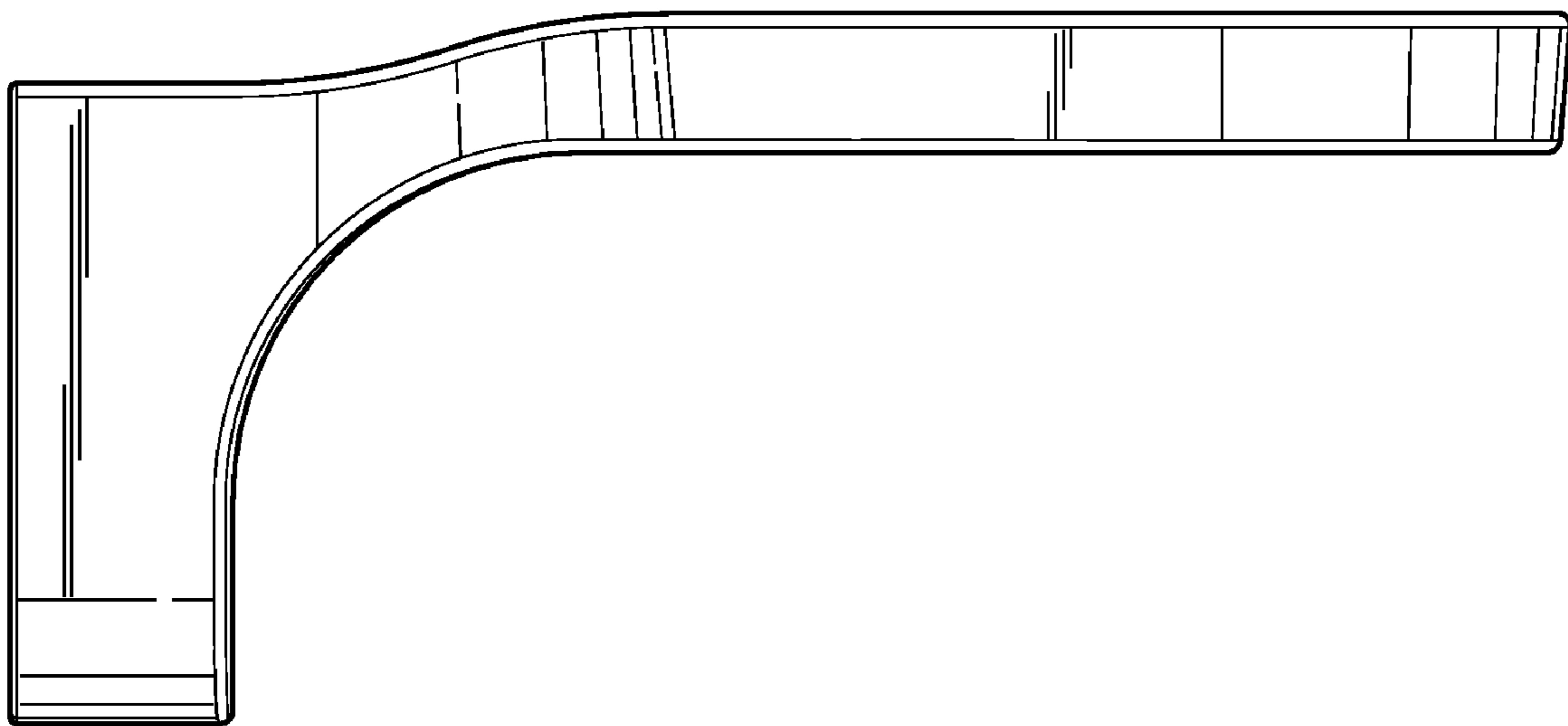


FIG. 4

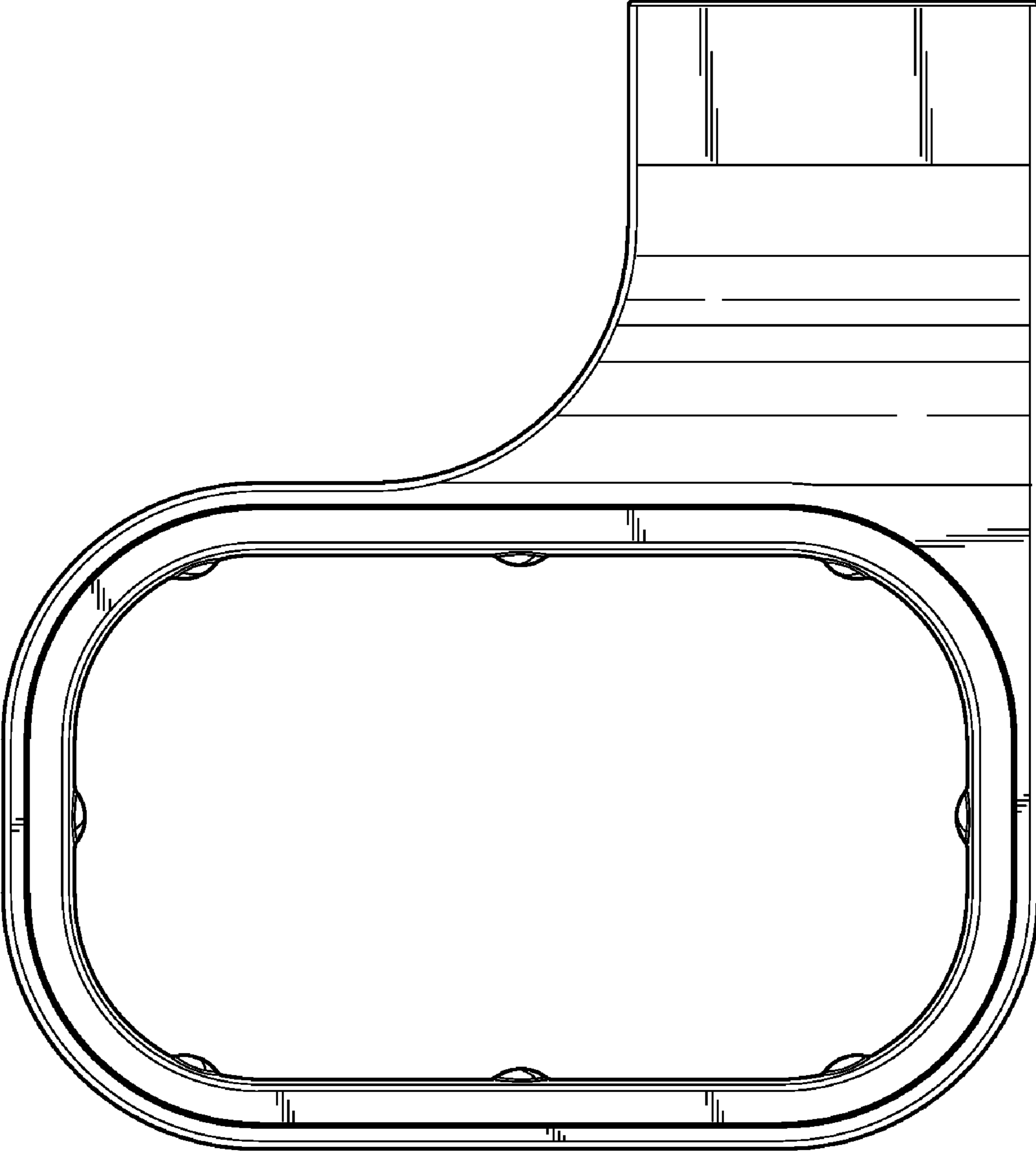


FIG. 5

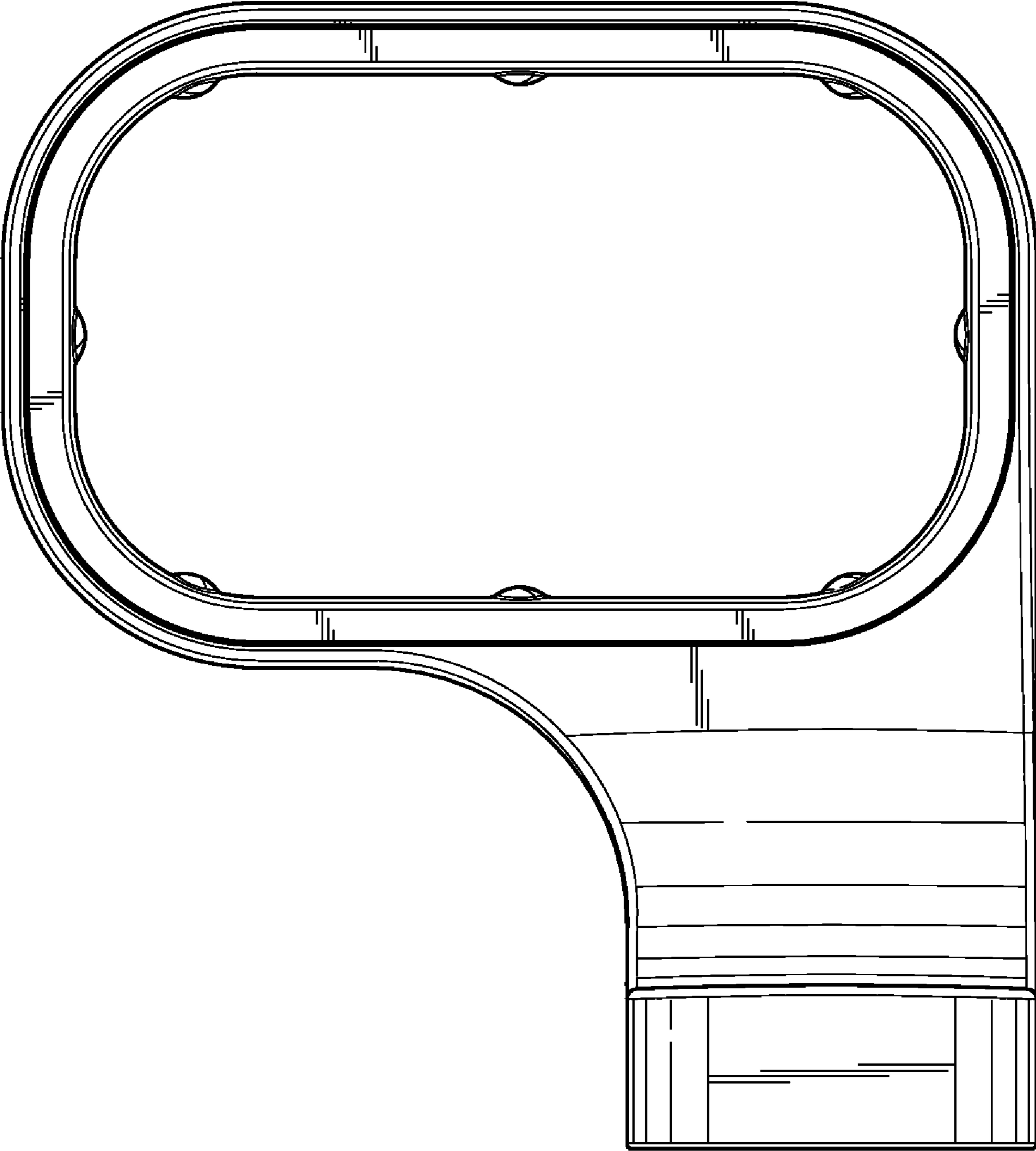


FIG. 6