



US00D604541S

(12) **United States Design Patent**
Bone et al.

(10) **Patent No.:** **US D604,541 S**

(45) **Date of Patent:** **** Nov. 24, 2009**

(54) **DISPENSER FOR SHEET MATERIAL**

(75) Inventors: **Martin Bone**, New York, NY (US);
Chak Lam Chung, New York, NY (US);
Gregory Daniel Louis Germe, New
York, NY (US); **David Mallard**,
Somerville, MA (US); **Bruce Robbins**,
Richmond, VA (US); **Anthony Rogers**,
Holland, PA (US)

(73) Assignee: **Reynolds Foil Inc.**, Richmond, VA (US)

(**) Term: **14 Years**

(21) Appl. No.: **29/325,151**

(22) Filed: **Sep. 26, 2008**

(51) **LOC (9) Cl.** **20-02**

(52) **U.S. Cl.** **D6/518**

(58) **Field of Classification Search** D6/515-523;
206/225, 233, 389, 391; 211/13.1; 222/173,
222/180; 221/26, 33, 282-283; 242/270,
242/590; 248/309.1, 309.2, 905

See application file for complete search history.

(56) **References Cited**

U.S. PATENT DOCUMENTS

1,833,999	A	*	12/1931	McCaskey	D6/518
2,253,744	A	*	8/1941	Witt	D6/518
D185,052	S	*	4/1959	Warp	D6/518
D480,901	S	*	10/2003	Millington	D6/518
D522,782	S	*	6/2006	Benedetti et al.	D6/518
D569,667	S	*	5/2008	Ovelar	D6/518
D571,135	S	*	6/2008	Collado	D6/518
D595,075	S	*	6/2009	Ramos Peon	D6/518

* cited by examiner

Primary Examiner—Brian N Vinson

(74) *Attorney, Agent, or Firm*—Greenberg Traurig, LLP

(57) **CLAIM**

The ornamental design for a dispenser for sheet material, as shown and described.

DESCRIPTION

FIG. 1 is a top, front, and right side perspective view of dispenser for sheet material, showing a first embodiment of our new design;

FIG. 2 is a front elevation view thereof;

FIG. 3 is a rear elevation view thereof;

FIG. 4 is a right elevation view thereof;

FIG. 5 is a left elevation view thereof;

FIG. 6 is a top plan view thereof;

FIG. 7 is a bottom plan view thereof;

FIG. 8 is a top, front, and right side perspective view of a dispenser for sheet material showing a second embodiment thereof;

FIG. 9 is a front elevation thereof;

FIG. 10 is a rear elevation view thereof;

FIG. 11 is a right elevation view thereof;

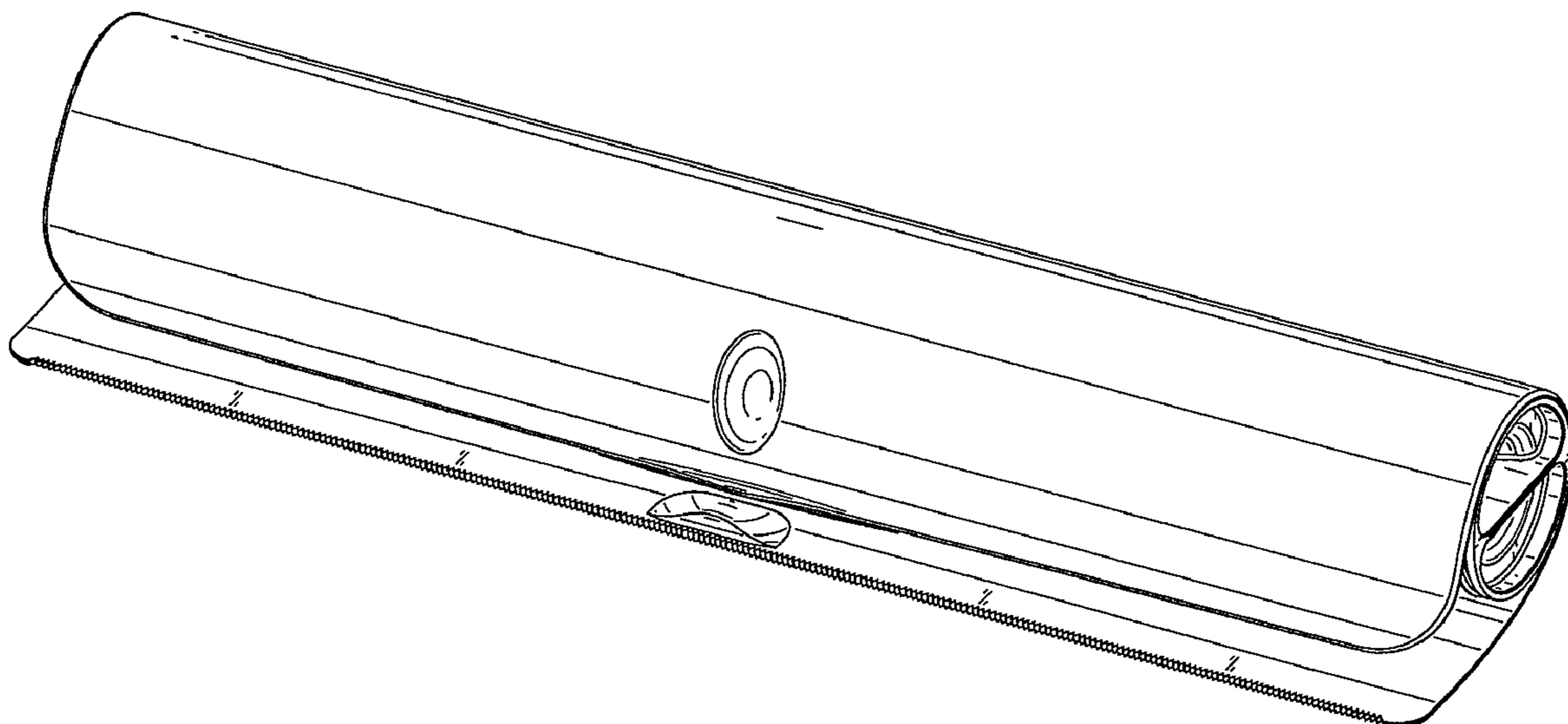
FIG. 12 is a left elevation view thereof;

FIG. 13 is a top plan view thereof; and,

FIG. 14 is a bottom plan view thereof.

The broken-line disclosure in the second embodiment is understood to show portions of the article in which the claimed design is embodied, but which form no part of the claimed design.

1 Claim, 8 Drawing Sheets



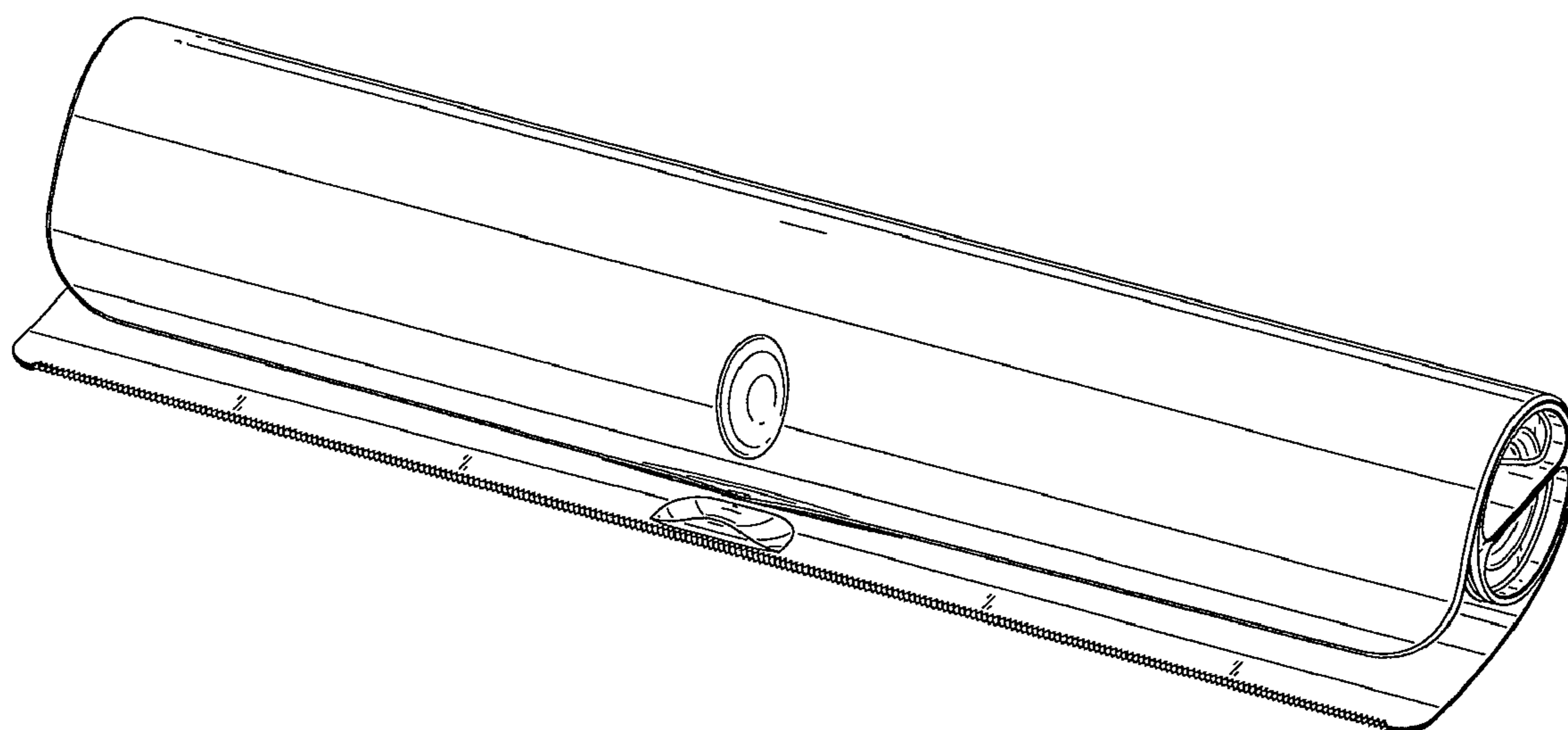


Figure 1

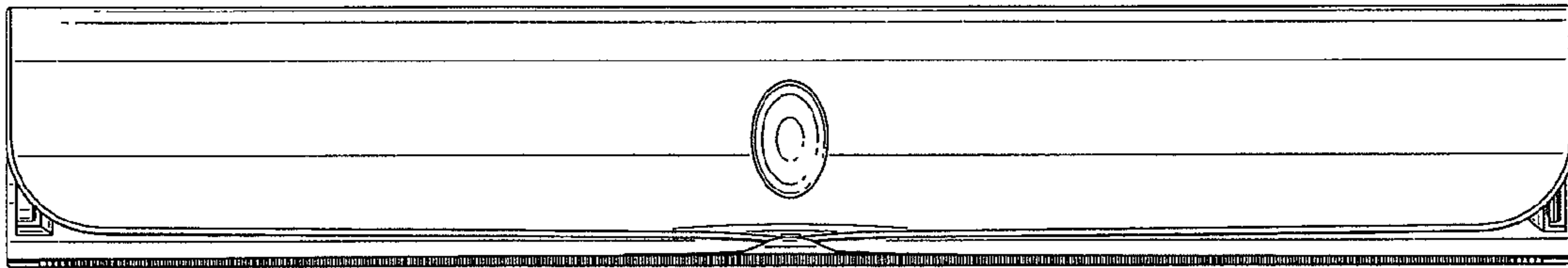


Figure 2

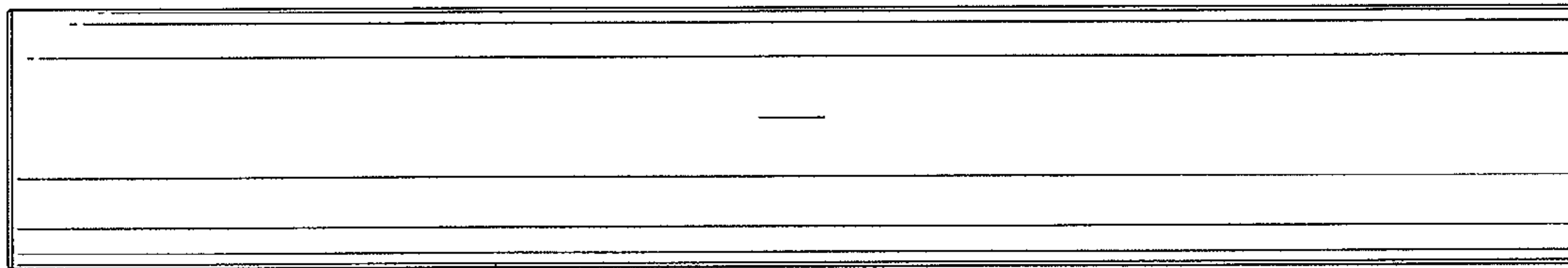


Figure 3

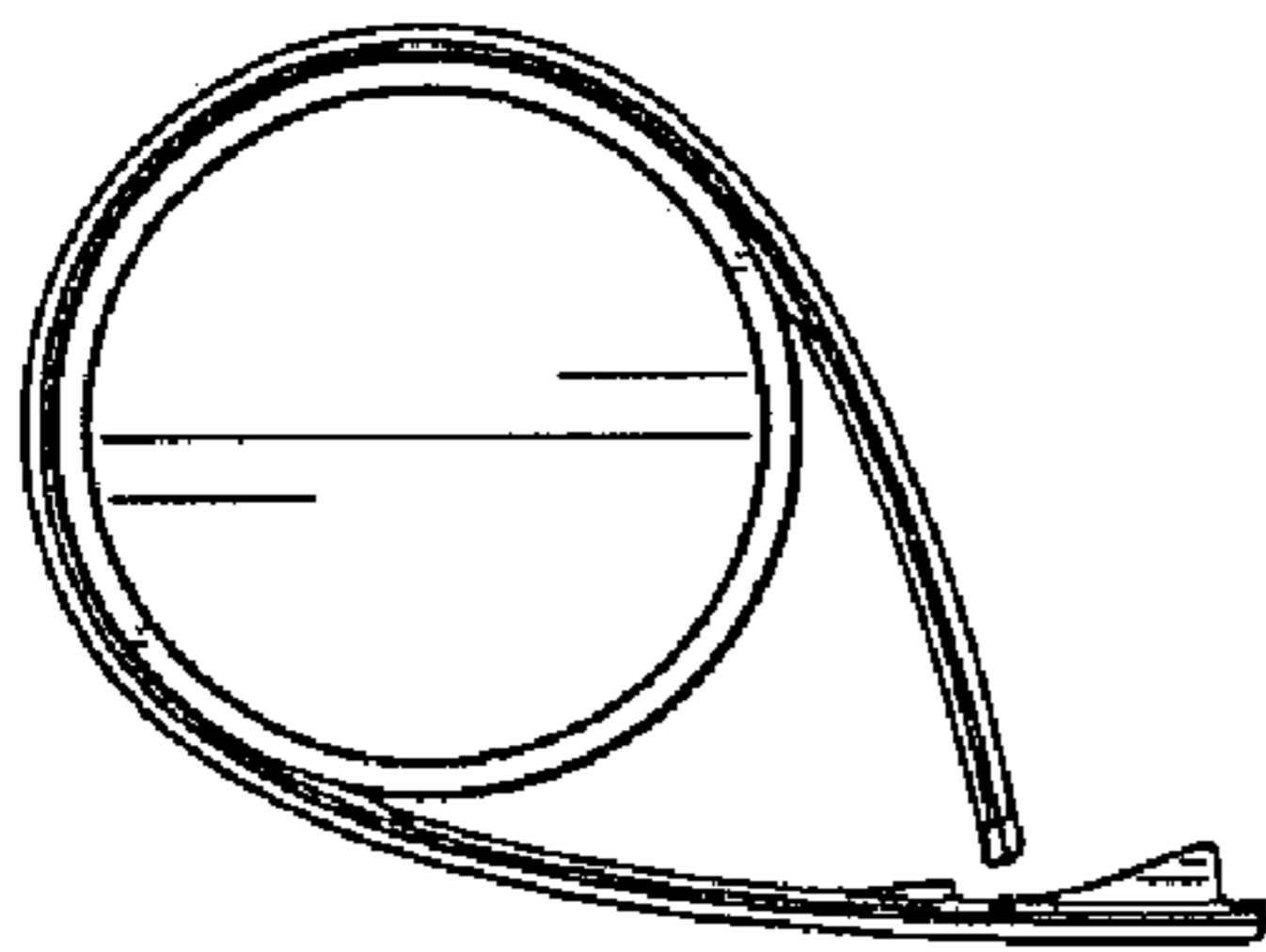


Figure 4

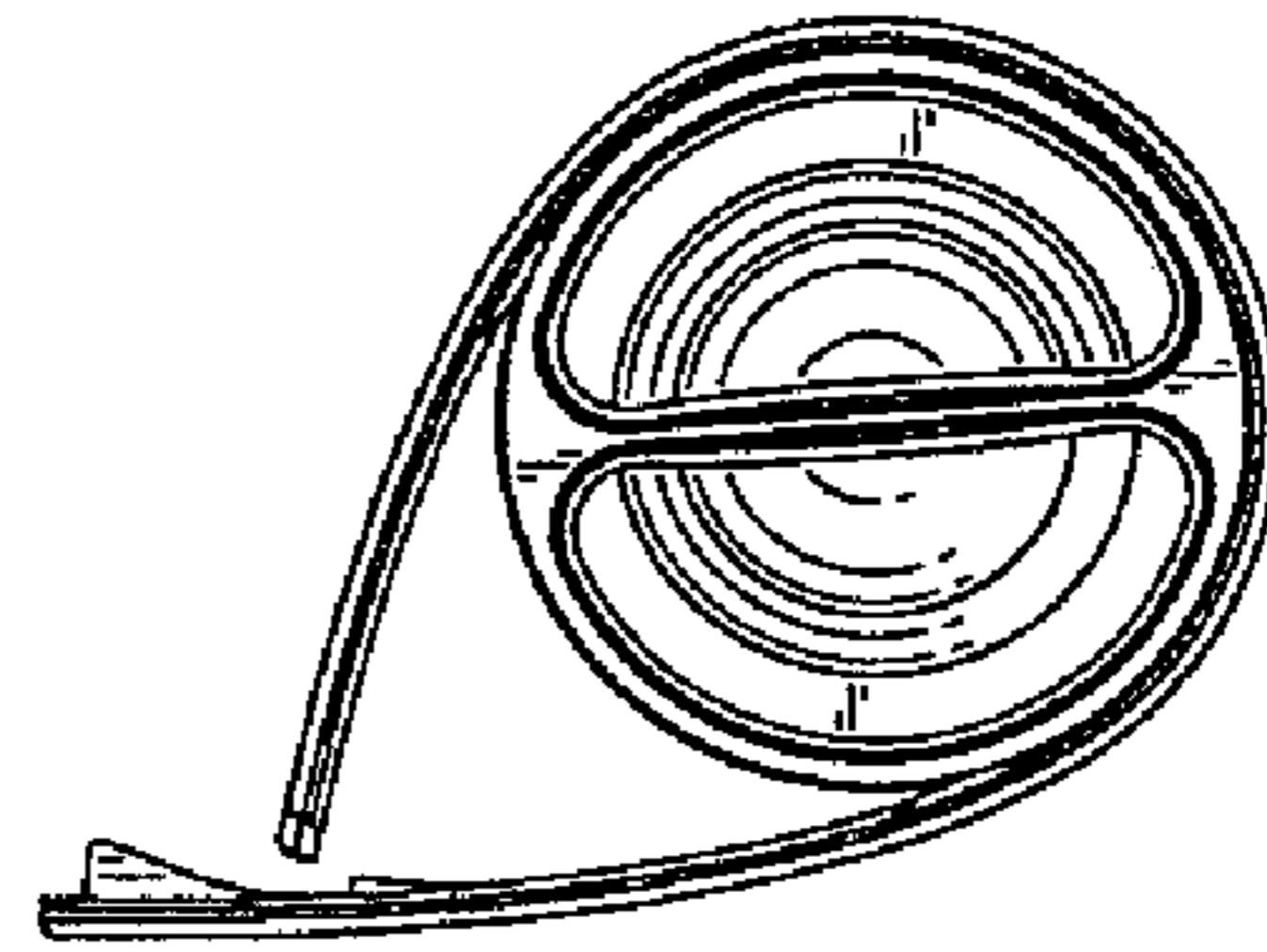


Figure 5

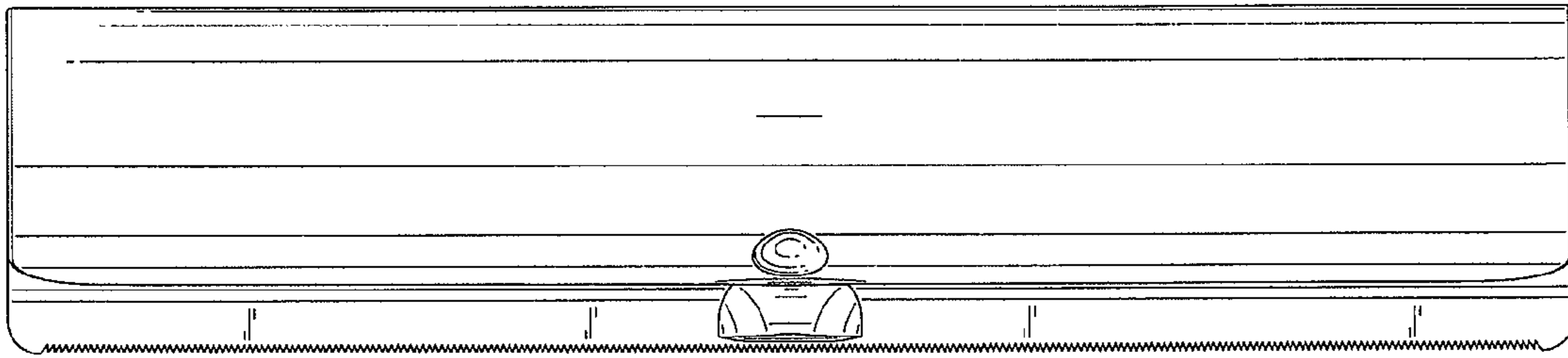


Figure 6

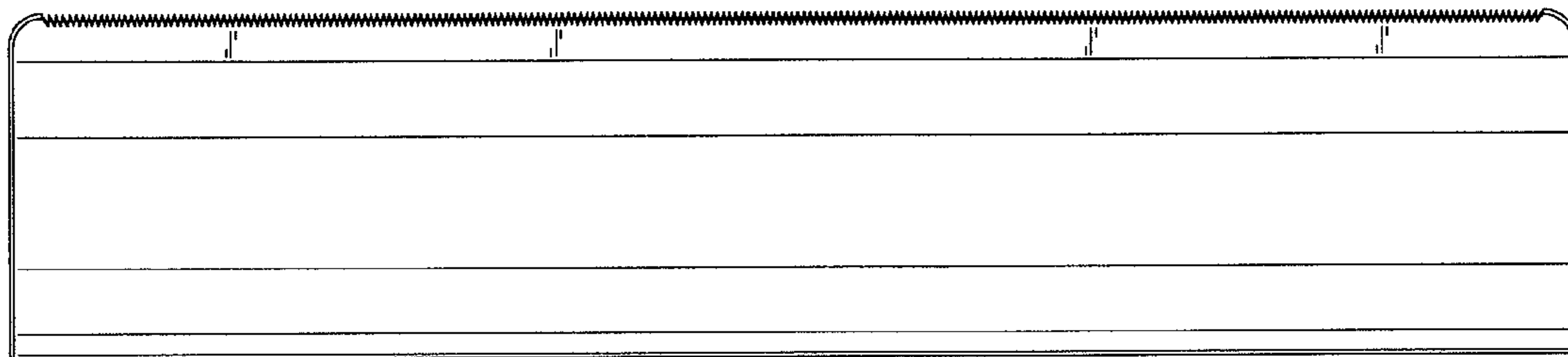


Figure 7

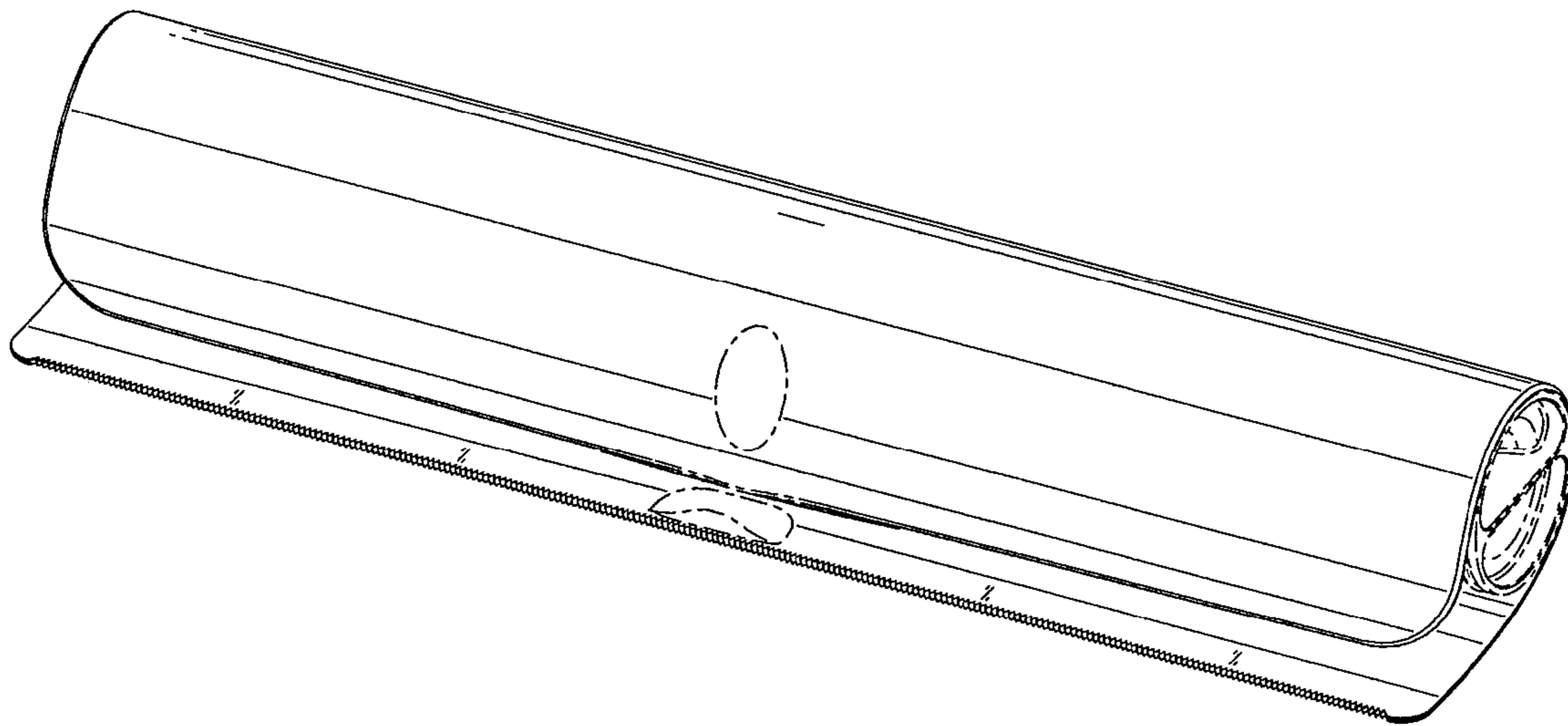


Figure 8

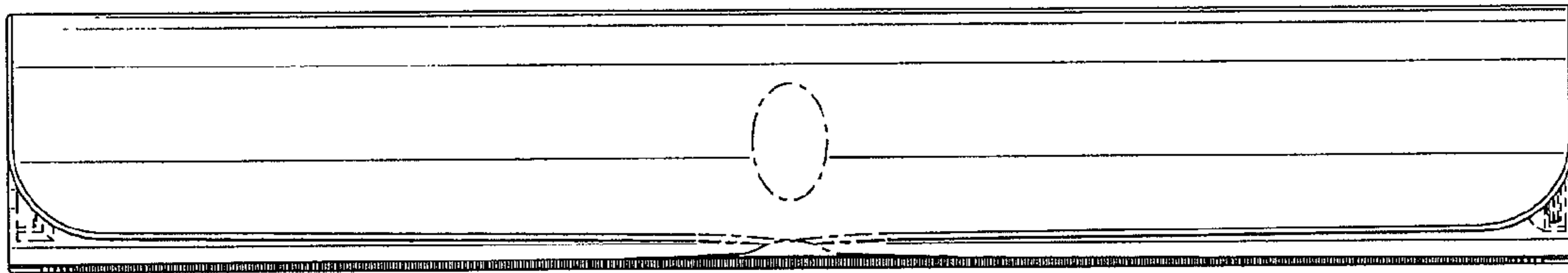


Figure 9

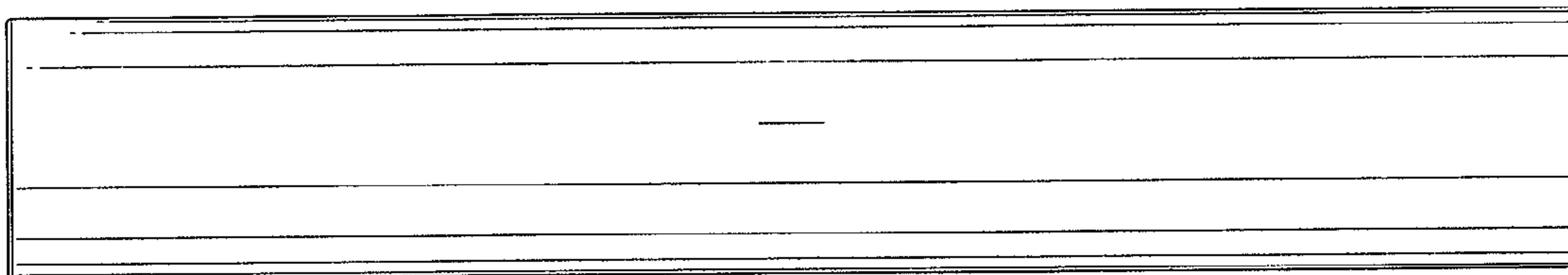


Figure 10

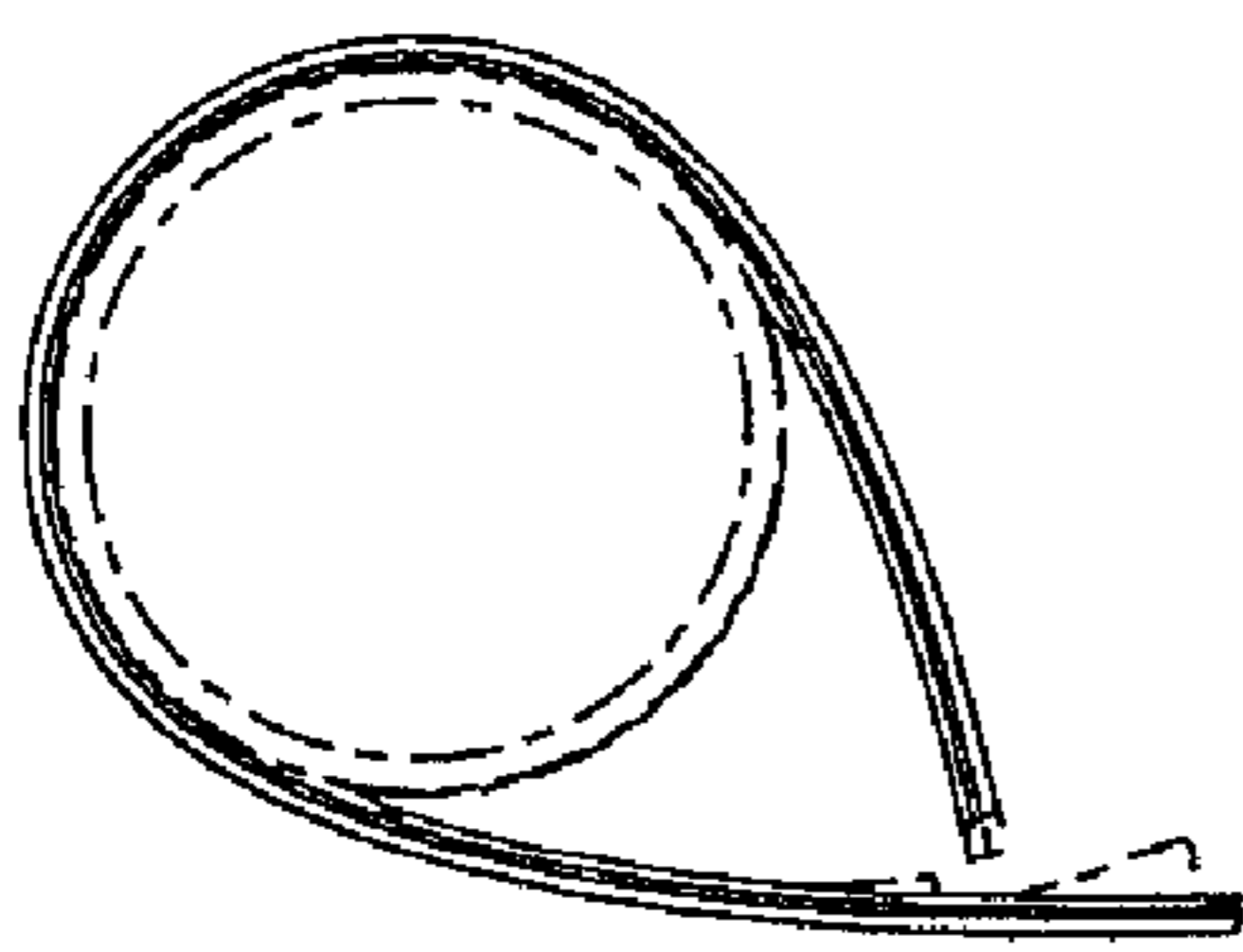


Figure 11

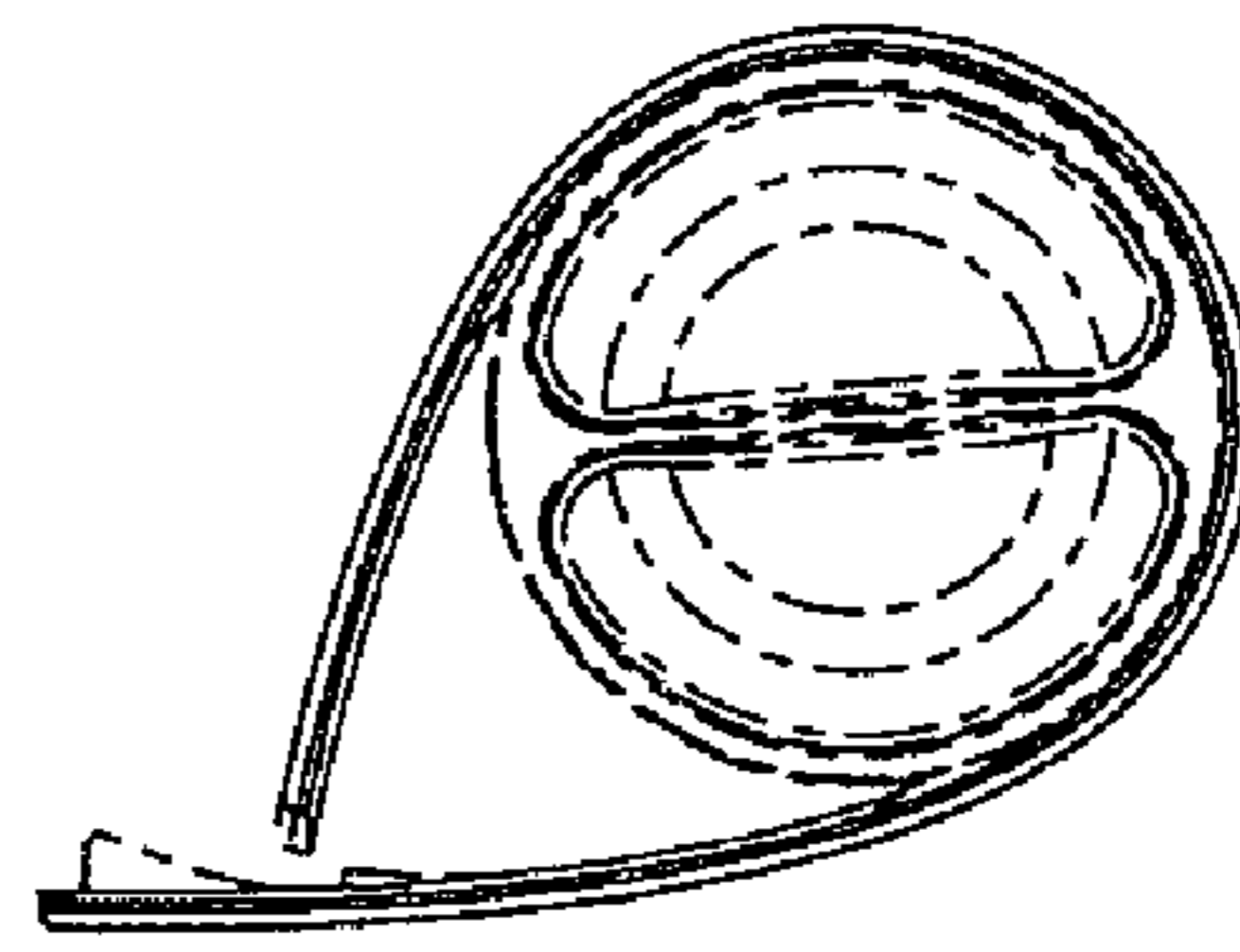


Figure 12

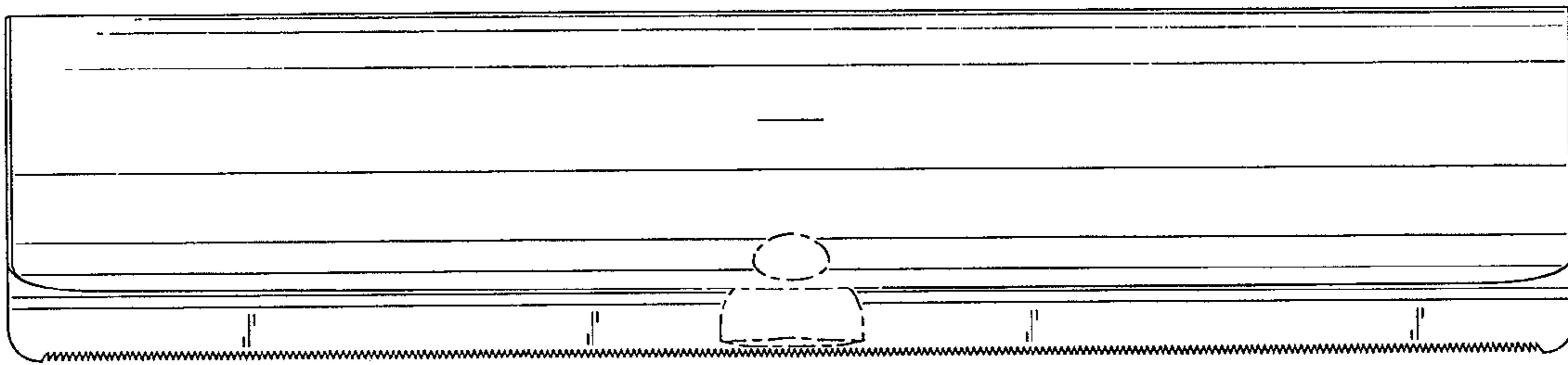


Figure 13

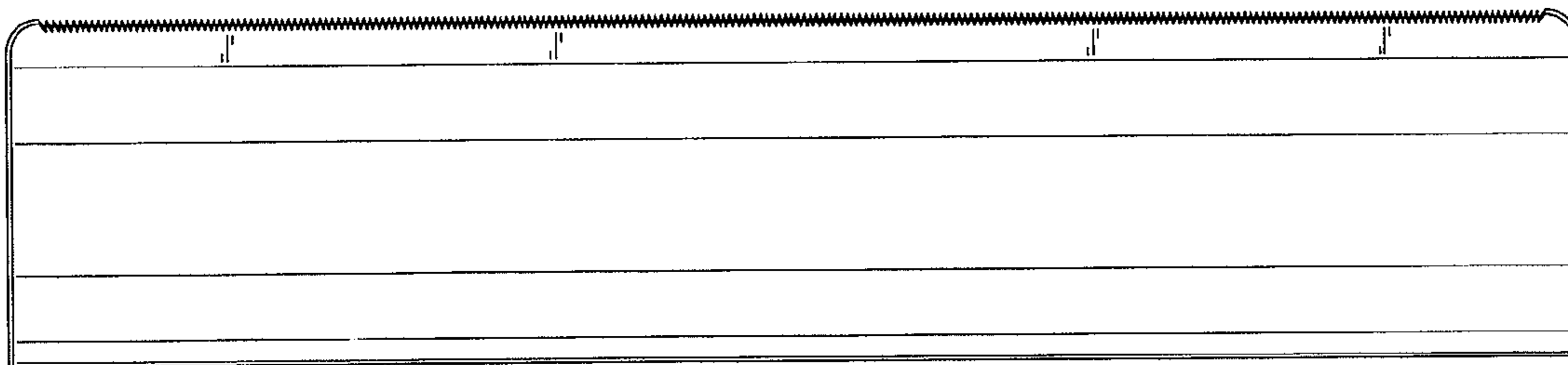


Figure 14