



US00D604536S

(12) **United States Design Patent**
Lifeng

(10) **Patent No.:** **US D604,536 S**

(45) **Date of Patent:** **** Nov. 24, 2009**

(54) **MESSAGE CHAIR**

(75) Inventor: **Xu Lifeng**, Suzhou (CN)

(73) Assignee: **Human Touch, LLC.**, Long Beach, CA (US)

(**) Term: **14 Years**

(21) Appl. No.: **29/336,886**

(22) Filed: **May 11, 2009**

D534,020 S	12/2006	Smith	
D535,127 S	1/2007	Egger	
D535,839 S	1/2007	Johnson	
D537,279 S	2/2007	Smith	
D540,077 S *	4/2007	Mazzera D6/501
D540,573 S *	4/2007	Smith D6/500
D543,399 S	5/2007	Johnson	
D557,531 S	12/2007	Johnson	
D561,504 S	2/2008	Smith	
D562,575 S	2/2008	Le	
D571,565 S	6/2008	Cheng	
D574,642 S *	8/2008	Shimizu et al. D6/500
D576,806 S	9/2008	Le	
D576,807 S	9/2008	Le	
D581,172 S *	11/2008	Kobrinetz D6/336

Related U.S. Application Data

(63) Continuation of application No. 29/322,362, filed on Aug. 1, 2008, now Pat. No. Des. 591,963.

(51) **LOC (9) Cl.** **06-01**

(52) **U.S. Cl.** **D6/502**

(58) **Field of Classification Search** D6/334-338, D6/349, 355, 361, 368-370, 376, 379-381, D6/492, 500-502; 297/16.1, 42, 94, 135, 297/175, 232, 233, 350, 351, 445.1, 448.1, 297/448.2, 451.9; 5/12.1, 12.2

See application file for complete search history.

(56) **References Cited**

U.S. PATENT DOCUMENTS

D424,819 S	5/2000	Galati et al.	
D429,379 S *	8/2000	Kim D28/56
D434,916 S	12/2000	Galati et al.	
D435,937 S *	1/2001	Back et al. D28/61
D455,566 S *	4/2002	Park D6/336
D471,728 S	3/2003	Tseng	
6,698,039 B1 *	3/2004	Park 4/622
D498,599 S *	11/2004	Luong D6/336
D504,783 S	5/2005	Park	
D505,021 S	5/2005	Kim	
D509,085 S *	9/2005	Egger D6/501
D511,260 S	11/2005	True	
D520,761 S	5/2006	Masuda	
D531,434 S	11/2006	True	
D532,227 S	11/2006	Smith	
D532,633 S	11/2006	Smith	

* cited by examiner

Primary Examiner—Sandra Snapp

(74) *Attorney, Agent, or Firm*—Christie, Parker & Hale, LLP.

(57) **CLAIM**

The ornamental design for massage chair, as shown and described.

DESCRIPTION

FIG. 1 is a perspective view of the massage chair according to the present invention;

FIG. 2 is a front view of the massage chair according to the present invention;

FIG. 3 is a side view of the massage chair according to the present invention;

FIG. 4 is a rear view of the massage chair according to the present invention;

FIG. 5 is another side view of the massage chair according to the present invention; and,

FIG. 6 is a top view of the massage chair according to the present invention.

Environmental features that are not part of the claimed design are shown in broken lines.

1 Claim, 6 Drawing Sheets

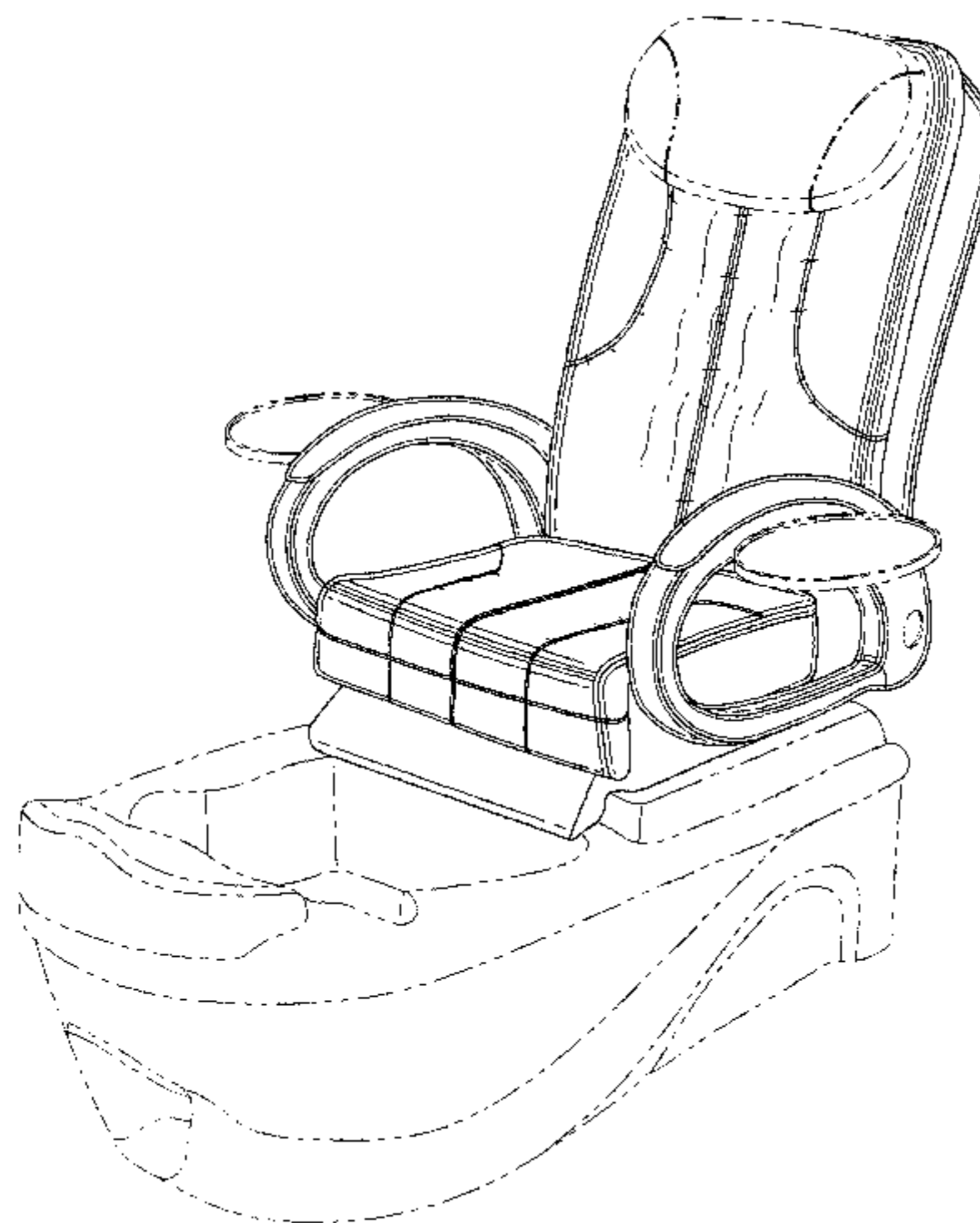


FIG. 1

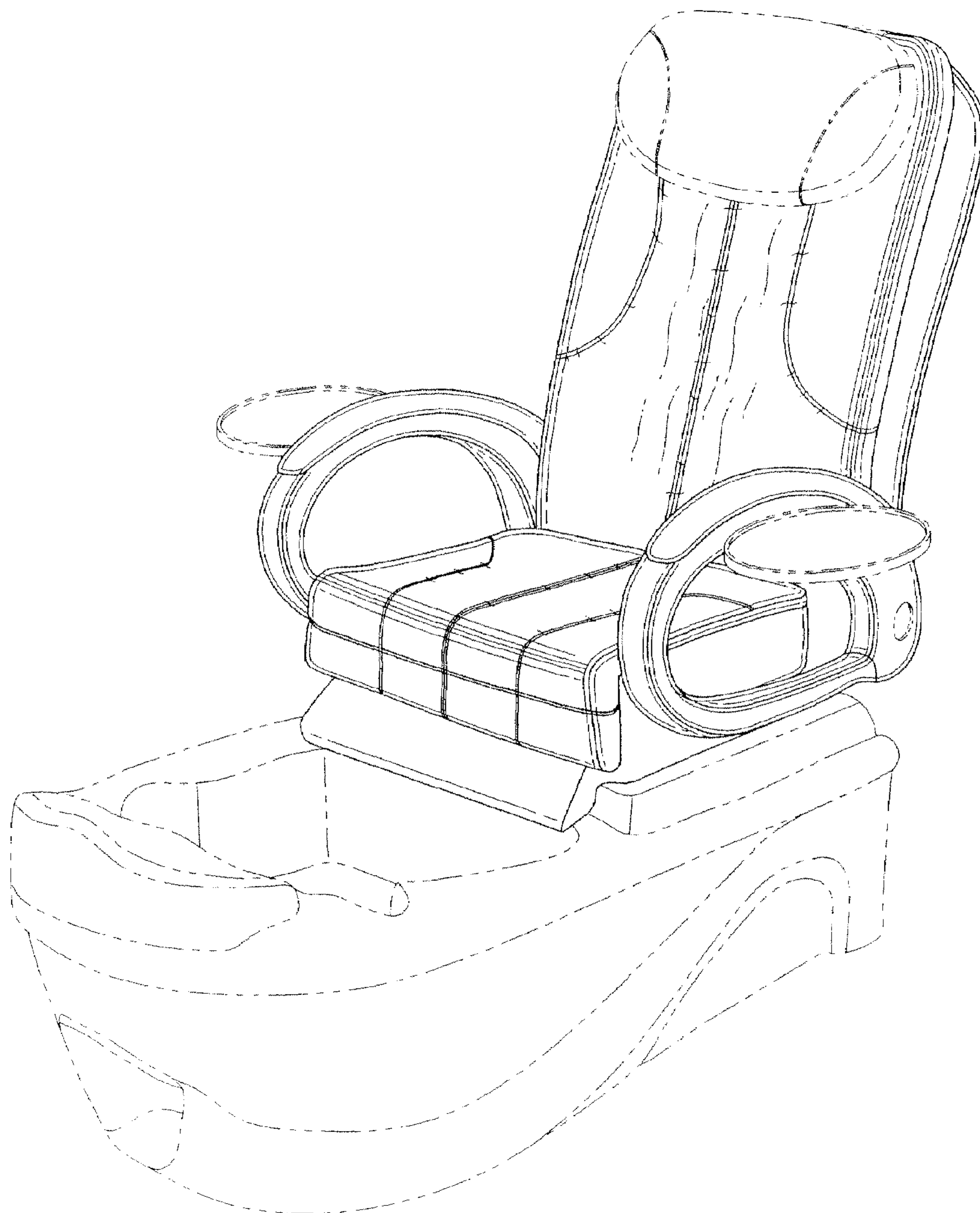


FIG. 2

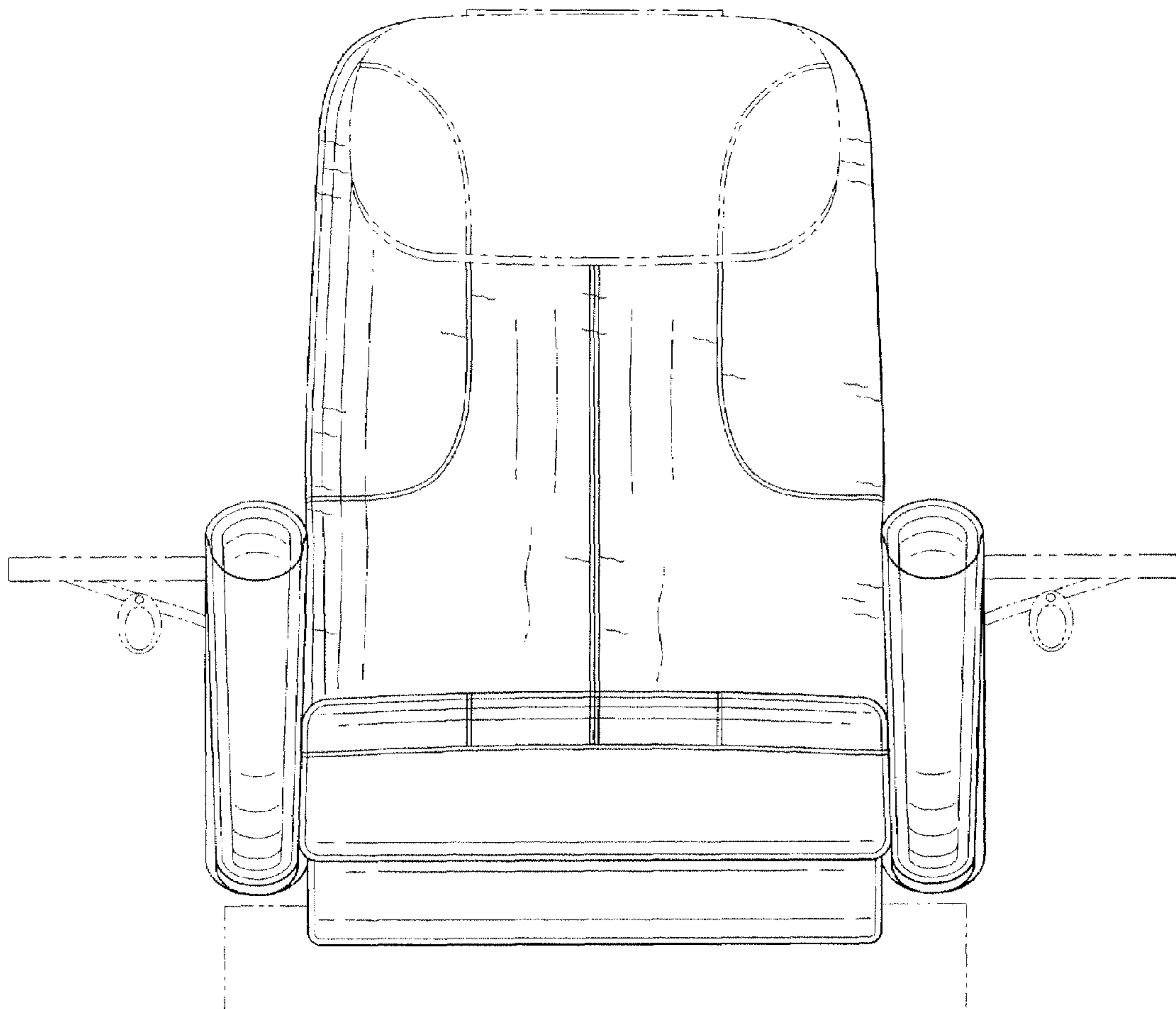


FIG. 3

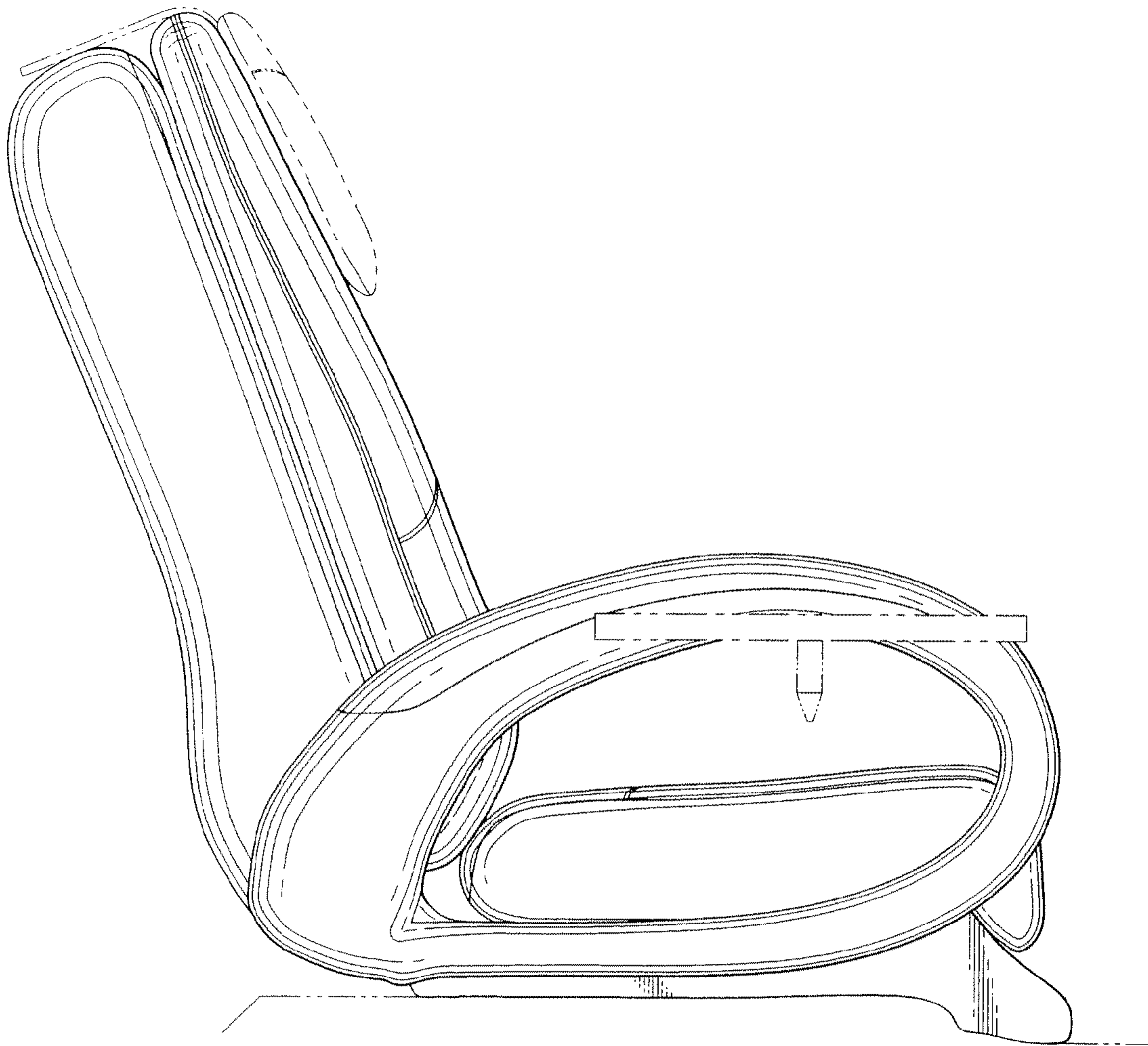


FIG. 4

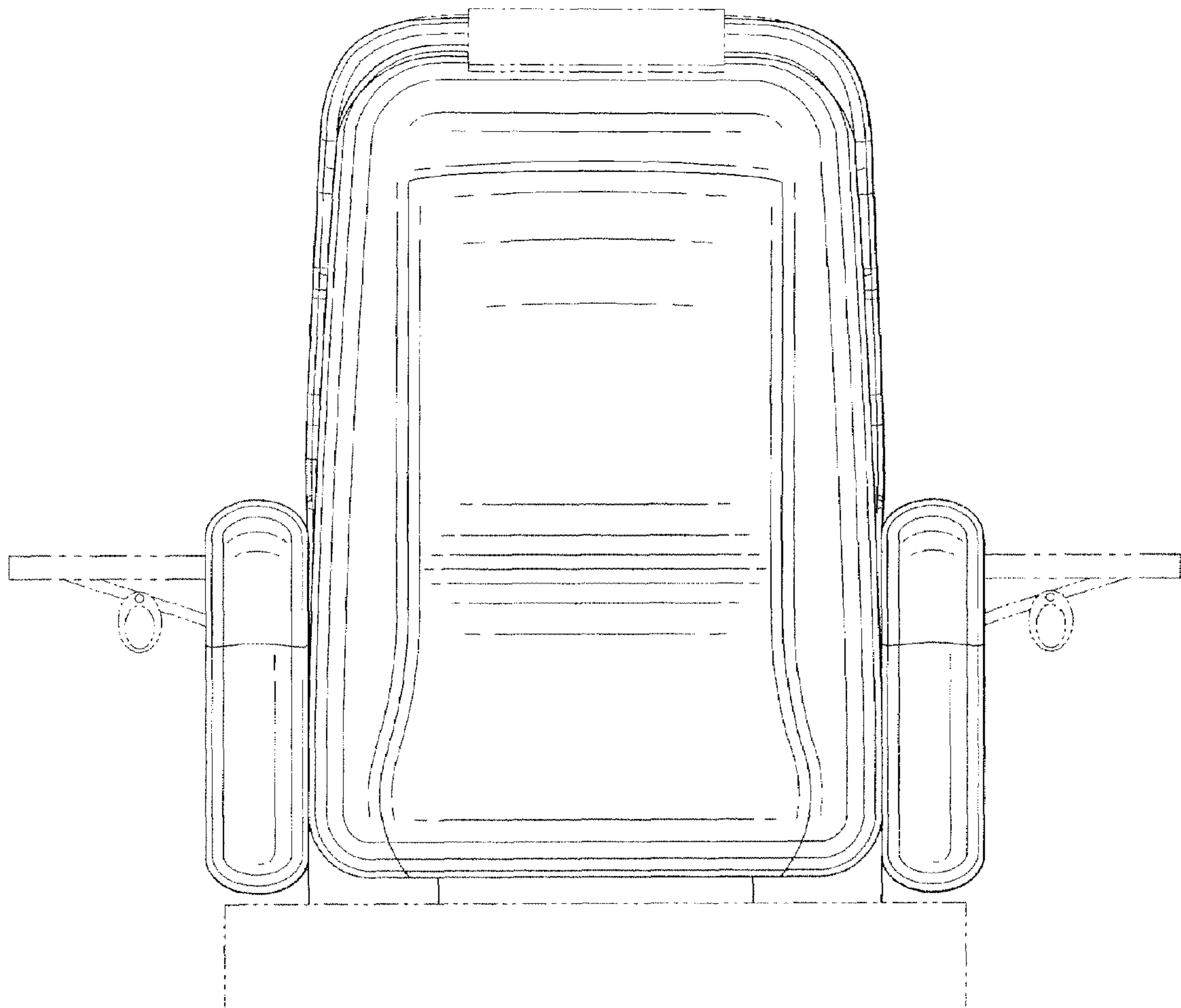


FIG. 5

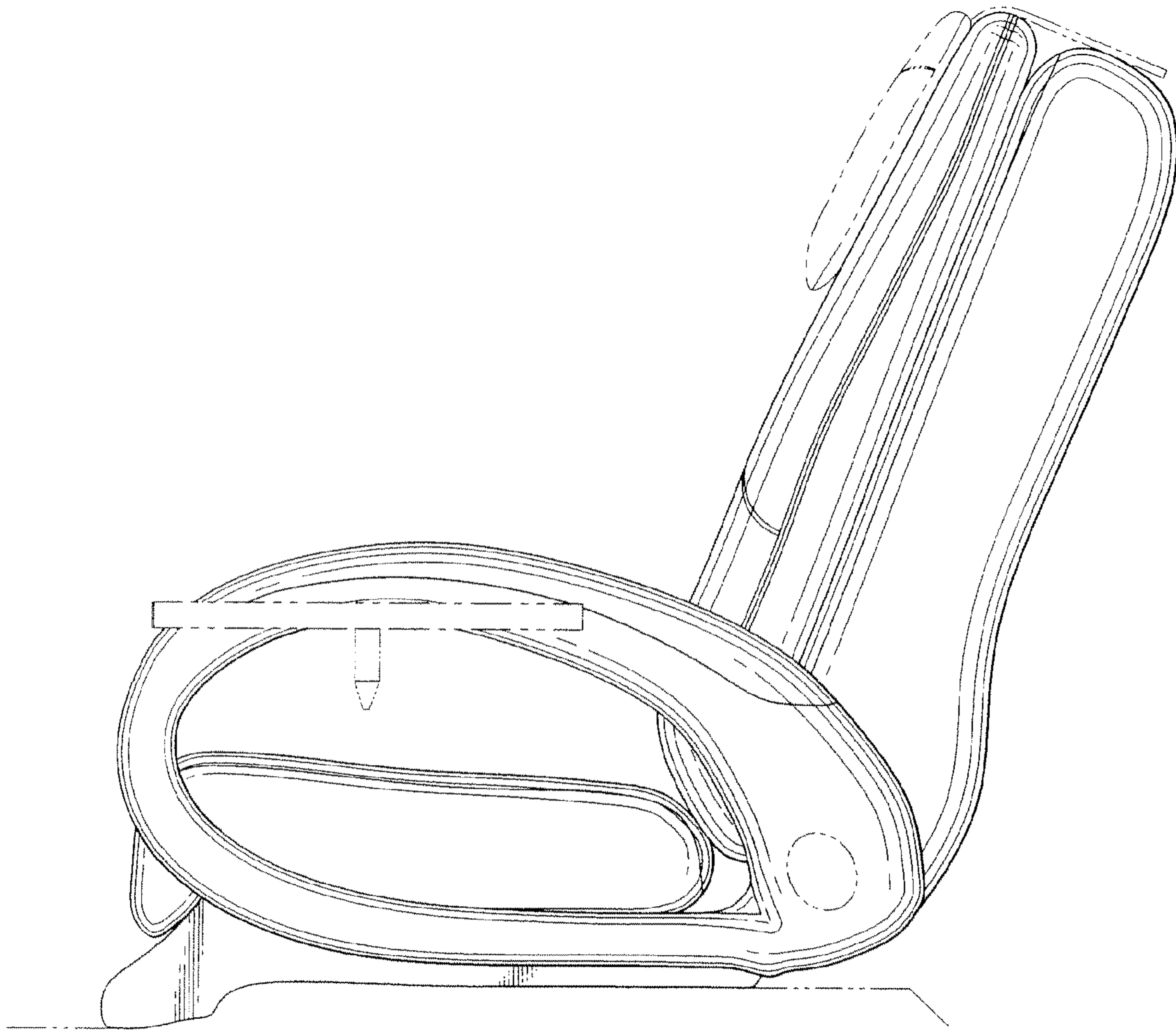


FIG. 6

