

US00D604535S

(12) **United States Design Patent**
Parker et al.

(10) **Patent No.:** **US D604,535 S**

(45) **Date of Patent:** **** Nov. 24, 2009**

(54) **CHAIR**

(75) Inventors: **Kent Wallace Parker**, Lower Hutt (NZ);
Daryl Owen Neal, Lower Hutt (NZ)

(73) Assignee: **Formway Furniture Limited**,
Wellington (NZ)

(**) Term: **14 Years**

(21) Appl. No.: **29/306,464**

(22) Filed: **Apr. 9, 2008**

(51) **LOC (9) Cl.** **06-01**

(52) **U.S. Cl.** **D6/500**

(58) **Field of Classification Search** D6/500-502,
D6/364-367, 369, 379-380; 297/411.27,
297/411.36, 411.29, 411.46, 411.64, 284.4,
297/300.2, 452.3, 411.2

See application file for complete search history.

(56) **References Cited**

U.S. PATENT DOCUMENTS

| | | |
|-------------|---------|----------------------|
| 2,787,315 A | 4/1957 | Siebert |
| 2,916,084 A | 12/1959 | Bottemiller et al. |
| 3,681,792 A | 8/1972 | Korber |
| 3,722,955 A | 3/1973 | Trotman |
| 3,813,073 A | 5/1974 | Mohr et al. |
| 3,929,374 A | 12/1975 | Hogan et al. |
| 4,032,190 A | 6/1977 | Müller-Deisig et al. |
| 4,040,661 A | 8/1977 | Hogan et al. |
| 4,084,850 A | 4/1978 | Ambasz |
| 4,119,343 A | 10/1978 | Pentzien |
| 4,143,916 A | 3/1979 | Trotman et al. |

| | | |
|-------------|---------|------------------|
| 4,183,494 A | 1/1980 | Cleveland |
| 4,340,250 A | 7/1982 | Ward |
| 4,361,357 A | 11/1982 | Pollock |
| 4,411,468 A | 10/1983 | Apissomian |
| 4,469,738 A | 9/1984 | Himmelreich, Jr. |
| 4,502,729 A | 3/1985 | Locher |
| 4,575,150 A | 3/1986 | Smith |
| 4,652,049 A | 3/1987 | Maruyama et al. |
| 4,717,203 A | 1/1988 | Meiller |
| 4,830,432 A | 5/1989 | Fuhrmann et al. |

(Continued)

FOREIGN PATENT DOCUMENTS

DE 23 40 919 A1 2/1975

(Continued)

Primary Examiner—Caron Veynar
Assistant Examiner—Abraham Bahta
(74) *Attorney, Agent, or Firm*—Workman Nydegger

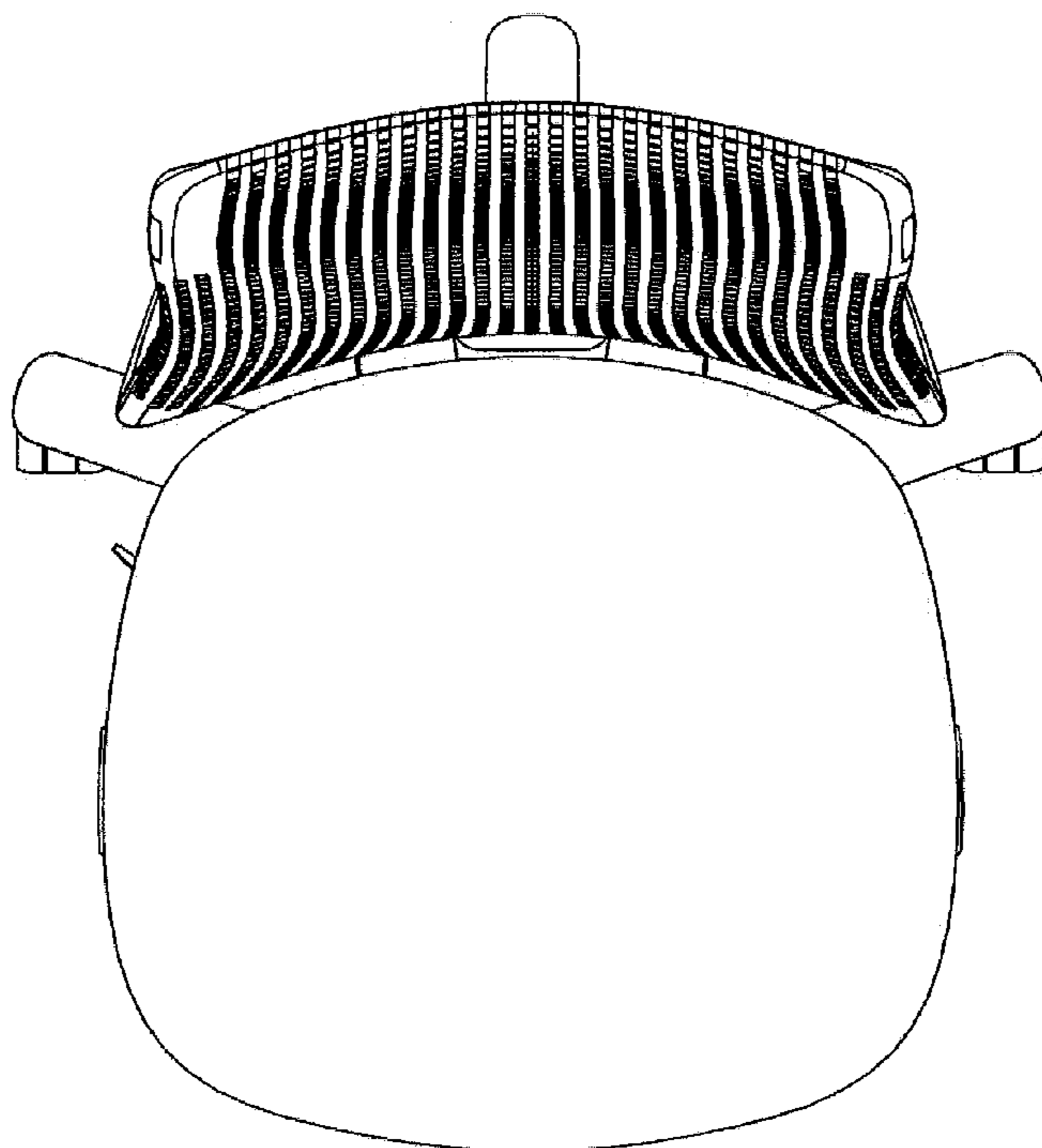
(57) **CLAIM**

The ornamental design for a chair, as shown and described.

DESCRIPTION

FIG. 1 is a top plan view of a chair showing our new design;
FIG. 2 is a front elevational view thereof;
FIG. 3 is a left side elevational view thereof;
FIG. 4 is a right side elevational view thereof;
FIG. 5 is a rear elevational view thereof; and,
FIG. 6 is a perspective view thereof.

1 Claim, 6 Drawing Sheets



US D604,535 S

| U.S. PATENT DOCUMENTS | | | FOREIGN PATENT DOCUMENTS | | |
|-----------------------|---------|------------------------------|--------------------------|---------|----------------------------|
| 4,890,886 A | 1/1990 | Opsvik | 6,869,142 B2 | 3/2005 | Heidmann et al. |
| 4,911,501 A | 3/1990 | Decker et al. | 6,880,886 B2 | 4/2005 | Bodnar et al. |
| 5,035,466 A | 7/1991 | Mathews et al. | 6,899,398 B2 | 5/2005 | Coffield |
| 5,046,780 A | 9/1991 | Decker et al. | 6,905,171 B2 | 6/2005 | Knoblock et al. |
| 5,114,211 A | 5/1992 | Desanta | 6,908,159 B2 | 6/2005 | Prince et al. |
| 5,121,934 A | 6/1992 | Decker et al. | 6,910,736 B2 | 6/2005 | White |
| 5,238,294 A | 8/1993 | Ishi et al. | 6,910,741 B2 | 6/2005 | Footitt |
| 5,409,295 A | 4/1995 | Edstrom | D506,894 S * | 7/2005 | Harley D6/502 |
| 5,577,804 A | 11/1996 | Tedesco | 6,913,315 B2 | 7/2005 | Ball et al. |
| 5,599,064 A | 2/1997 | Vanderminden, Sr. | D510,488 S * | 10/2005 | Su D6/366 |
| 5,649,739 A | 7/1997 | Zapf | 6,955,402 B2 | 10/2005 | VanDeRiet et al. |
| 5,671,972 A | 9/1997 | Tedesco | 6,957,863 B2 | 10/2005 | Heidmann et al. |
| 5,700,060 A | 12/1997 | Bullard et al. | 6,959,965 B2 | 11/2005 | Diffrient |
| 5,769,492 A | 6/1998 | Jensen | 6,966,606 B2 | 11/2005 | Coffield |
| 5,795,026 A | 8/1998 | Dral et al. | 6,979,059 B1 | 12/2005 | Conlin |
| 5,802,643 A | 9/1998 | Sloot | 6,979,984 B2 | 12/2005 | Perrier et al. |
| 5,887,946 A | 3/1999 | Raftery | 6,981,743 B2 | 1/2006 | Edwards et al. |
| 5,899,530 A | 5/1999 | Tedesco | 6,994,400 B2 | 2/2006 | Koepke et al. |
| 5,909,923 A | 6/1999 | DeKraker | D516,828 S * | 3/2006 | Tsai D6/366 |
| 5,934,758 A | 8/1999 | Ritch et al. | 7,014,269 B2 | 3/2006 | Coffield et al. |
| 5,967,610 A | 10/1999 | Lin | 7,055,911 B2 | 6/2006 | Simpson et al. |
| 5,979,984 A | 11/1999 | DeKraker et al. | 7,059,682 B2 | 6/2006 | Caruso et al. |
| 6,029,962 A | 2/2000 | Shorten et al. | 7,066,537 B2 | 6/2006 | Coffield et al. |
| 6,059,368 A | 5/2000 | Stumpf et al. | 7,066,538 B2 | 6/2006 | Machael et al. |
| 6,079,782 A | 6/2000 | Berg et al. | 7,066,546 B2 | 6/2006 | Trego et al. |
| 6,213,553 B1 | 4/2001 | Fitz | 7,070,727 B2 | 7/2006 | Calhoun et al. |
| D445,580 S | 7/2001 | Pennington et al. | 7,096,549 B2 | 8/2006 | Coffield |
| D446,397 S | 8/2001 | Pennington et al. | 7,114,777 B2 | 10/2006 | Knoblock et al. |
| 6,279,998 B1 | 8/2001 | Chu et al. | 7,131,700 B2 | 11/2006 | Knoblock et al. |
| 6,318,800 B1 | 11/2001 | DeKraker | 7,147,285 B2 | 12/2006 | Lin |
| 6,349,992 B1 | 2/2002 | Knoblock et al. | D534,384 S * | 1/2007 | Su D6/502 |
| 6,357,827 B1 | 3/2002 | Brightbill et al. | 7,165,811 B2 | 1/2007 | Bodnar et al. |
| 6,367,877 B1 | 4/2002 | Knoblock et al. | D542,043 S * | 5/2007 | Wu D6/366 |
| 6,382,719 B1 | 5/2002 | Heidmann et al. | 7,234,774 B2 | 6/2007 | Heidmann et al. |
| 6,386,634 B1 | 5/2002 | Stumpf et al. | 7,264,311 B2 | 9/2007 | Heidmann |
| 6,394,545 B2 | 5/2002 | Knoblock et al. | 7,270,378 B2 | 9/2007 | Wilkerson et al. |
| 6,394,546 B1 | 5/2002 | Knoblock et al. | D553,378 S * | 10/2007 | Wang D6/366 |
| 6,394,548 B1 | 5/2002 | Batley et al. | D556,481 S * | 12/2007 | Harley D6/502 |
| 6,394,549 B1 | 5/2002 | DeKraker et al. | D577,934 S * | 10/2008 | Raftery et al. D6/502 |
| D460,300 S | 7/2002 | Fifield et al. | D581,708 S * | 12/2008 | Su D6/502 |
| 6,439,665 B1 | 8/2002 | Cvek | 2002/0109384 A1 | 8/2002 | Hansen |
| D463,144 S | 9/2002 | Pennington et al. | 2002/0158492 A1 | 10/2002 | Ko et al. |
| 6,460,928 B2 | 10/2002 | Knoblock et al. | 2003/0085601 A1 | 5/2003 | Hudswell et al. |
| 6,523,898 B1 | 2/2003 | Ball et al. | 2003/0127901 A1 | 7/2003 | Lovato |
| 6,536,841 B1 | 3/2003 | Pearce et al. | 2003/0178882 A1 | 9/2003 | Schmitz et al. |
| 6,572,190 B2 | 6/2003 | Koepke et al. | 2004/0012237 A1 | 1/2004 | Horiki et al. |
| 6,588,842 B2 | 7/2003 | Stumpf et al. | 2004/0183350 A1 | 9/2004 | Schmitz et al. |
| 6,588,843 B1 | 7/2003 | Ebenstein | 2004/0245840 A1 | 12/2004 | Tubergen et al. |
| 6,598,251 B2 | 7/2003 | Habboub et al. | 2004/0245841 A1 | 12/2004 | Peterson et al. |
| 6,605,332 B2 | 8/2003 | Calhoun et al. | 2005/0017557 A1 | 1/2005 | Caruso et al. |
| 6,609,755 B2 | 8/2003 | Koepke et al. | 2006/0001303 A1 | 1/2006 | Raftery et al. |
| 6,609,760 B1 | 8/2003 | Matern et al. | 2006/0006715 A1 | 1/2006 | Chadwick et al. |
| D479,416 S * | 9/2003 | Raftery D6/502 | 2006/0071523 A1 | 4/2006 | Stumpf et al. |
| 6,616,228 B2 | 9/2003 | Heidmann | 2006/0091714 A1 | 5/2006 | Schmitz et al. |
| 6,623,079 B2 | 9/2003 | Gregory | 2006/0091715 A1 | 5/2006 | Schmitz et al. |
| 6,644,741 B2 | 11/2003 | Nelson et al. | 2006/0103208 A1 | 5/2006 | Schmitz et al. |
| 6,669,292 B2 | 12/2003 | Koepke et al. | 2006/0226691 A1 | 10/2006 | Bedford et al. |
| 6,669,301 B1 | 12/2003 | Funk et al. | | | |
| 6,672,669 B2 | 1/2004 | Chu et al. | | | |
| 6,685,268 B2 | 2/2004 | Meyer | DE 41 37 488 A1 | 6/1992 | |
| 6,687,933 B2 | 2/2004 | Habboub et al. | DE 41 14 101 A1 | 11/1992 | |
| 6,698,833 B2 | 3/2004 | Ball et al. | DE 196 10 714 A1 | 9/1997 | |
| 6,702,390 B2 | 3/2004 | Stumpf et al. | DE 200 06 038 U1 | 6/2000 | |
| 6,722,741 B2 * | 4/2004 | Stumpf et al. 297/452.3 | DE 199 08 592 C1 | 11/2000 | |
| 6,726,285 B2 | 4/2004 | Caruso et al. | DE 203 15 179 U1 | 1/2004 | |
| 6,729,691 B2 | 5/2004 | Koepke et al. | DE 10 2005 016 198 A1 | 10/2006 | |
| 6,733,080 B2 | 5/2004 | Stumpf et al. | EP 0 107 627 B1 | 1/1986 | |
| D494,792 S * | 8/2004 | Schmitz et al. D6/502 | EP 0 482 439 B1 | 4/1992 | |
| 6,802,566 B2 | 10/2004 | Prince et al. | EP 0 433 099 B1 | 5/1994 | |
| 6,817,667 B2 | 11/2004 | Pennington et al. | EP 0 589 834 B1 | 4/1996 | |
| 6,840,582 B2 | 1/2005 | Burwell et al. | EP 0 721 751 B1 | 8/2000 | |
| | | | EP 0 850 005 B1 | 11/2003 | |

US D604,535 S

Page 3

| | | |
|----|-----------------|---------|
| EP | WO 03/103455 A1 | 12/2003 |
| EP | 1 616 504 A2 | 1/2006 |
| EP | 1 621 108 A1 | 2/2006 |
| EP | 1 408 794 B1 | 9/2006 |
| GB | 2 212 392 A1 | 7/1989 |
| GB | 2 347 853 A1 | 9/2000 |
| GB | 2 412 576 A1 | 10/2005 |
| JP | 8-24083 | 1/1996 |
| JP | 2001-245748 | 9/2001 |
| JP | 2003-189965 | 7/2003 |
| JP | 2003-189966 | 7/2003 |
| JP | 2006-218047 | 8/2006 |
| WO | WO 92/12657 | 8/1992 |

| | | |
|----|-------------------|---------|
| WO | WO 93/03652 | 3/1993 |
| WO | WO 98/16140 | 4/1998 |
| WO | WO 99/44475 | 9/1999 |
| WO | WO 99/58022 | 11/1999 |
| WO | WO 03/055674 A1 | 7/2003 |
| WO | WO 2005/030007 A1 | 4/2005 |
| WO | WO 2006/110227 A2 | 10/2006 |
| WO | WO 2007/110729 A2 | 10/2007 |
| WO | WO 2007/110737 A2 | 10/2007 |
| WO | WO 2007/133458 A2 | 11/2007 |
| WO | WO 2007/142448 A1 | 12/2007 |

* cited by examiner

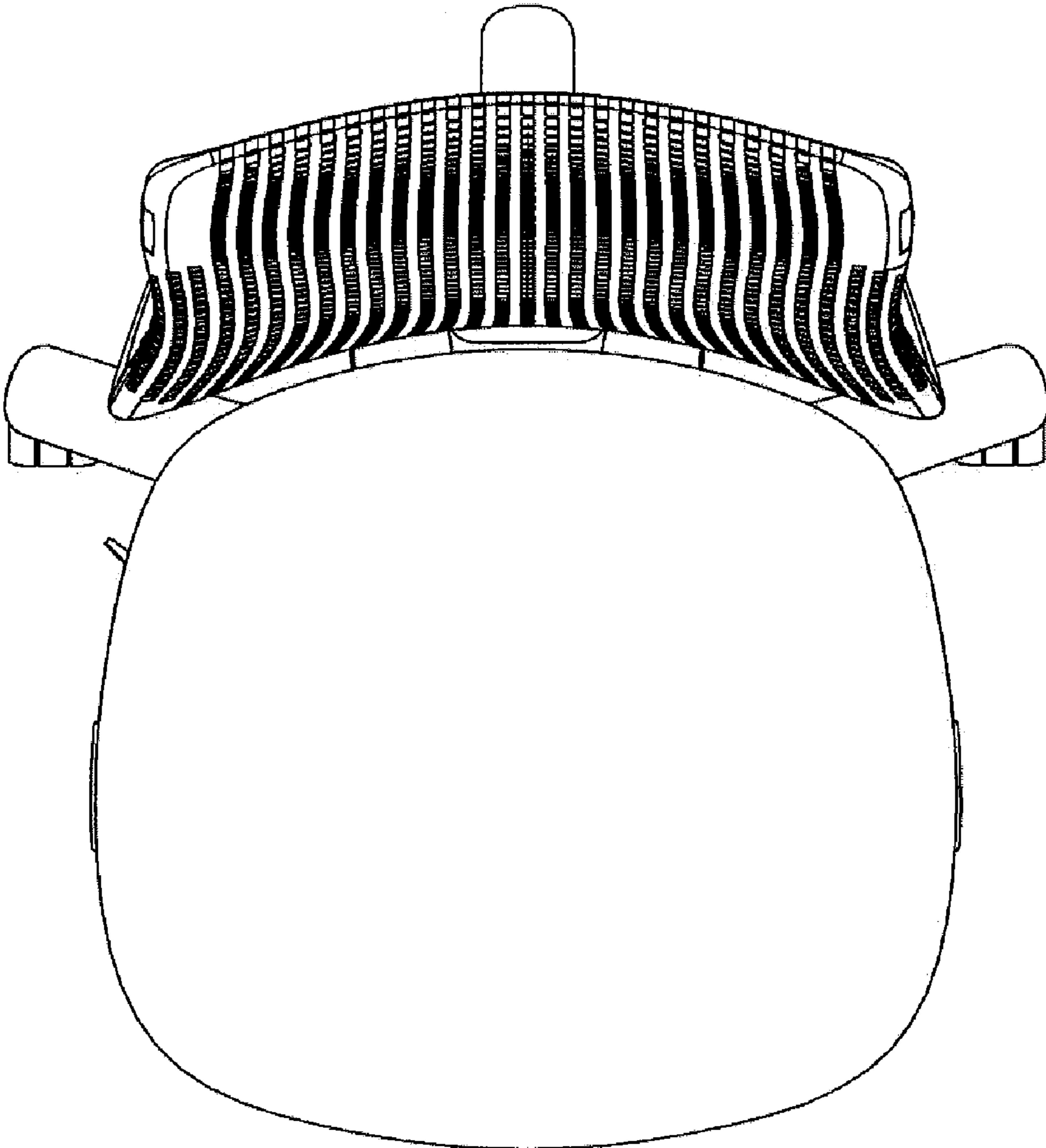


FIGURE 1

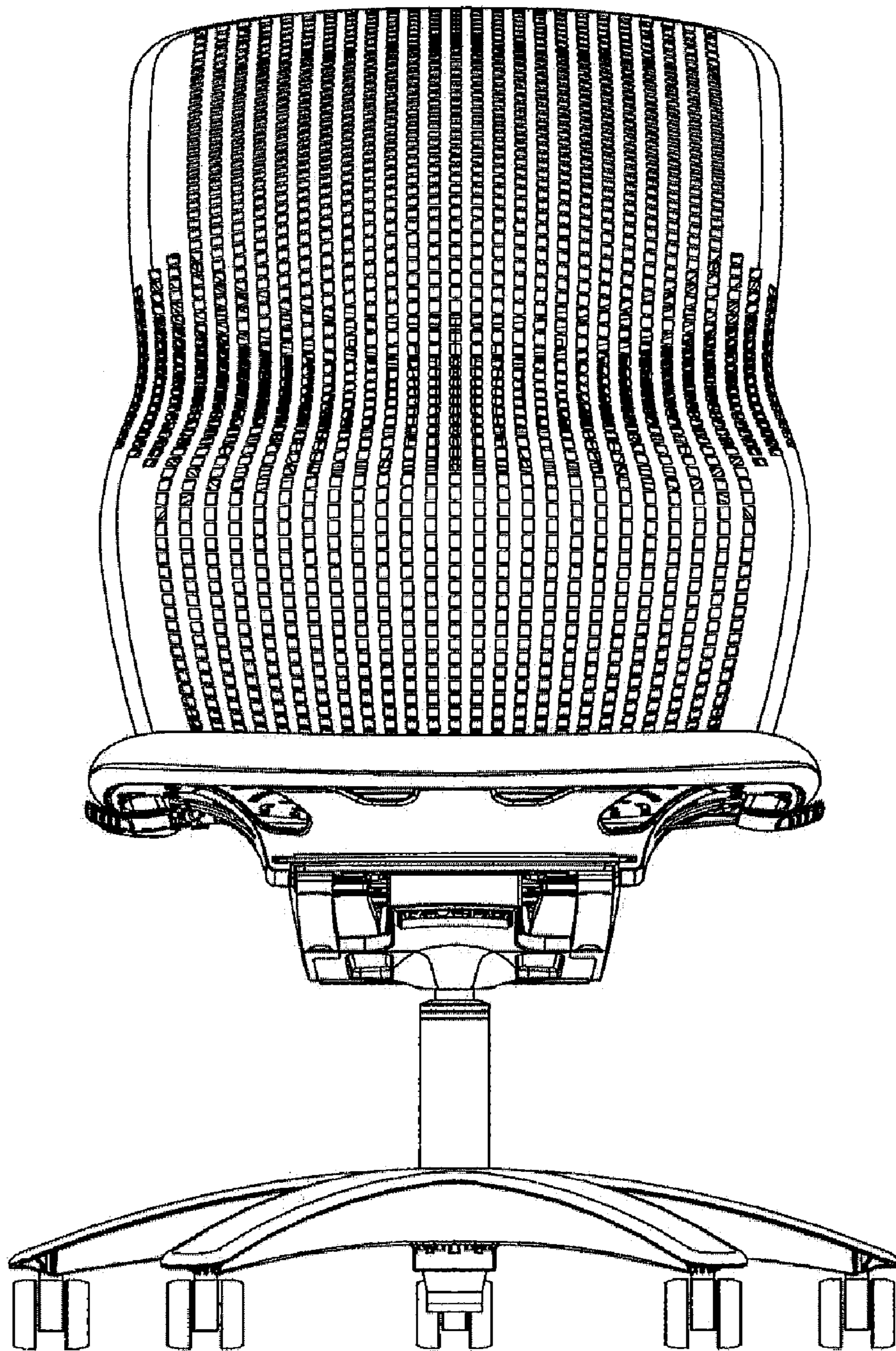


FIGURE 2

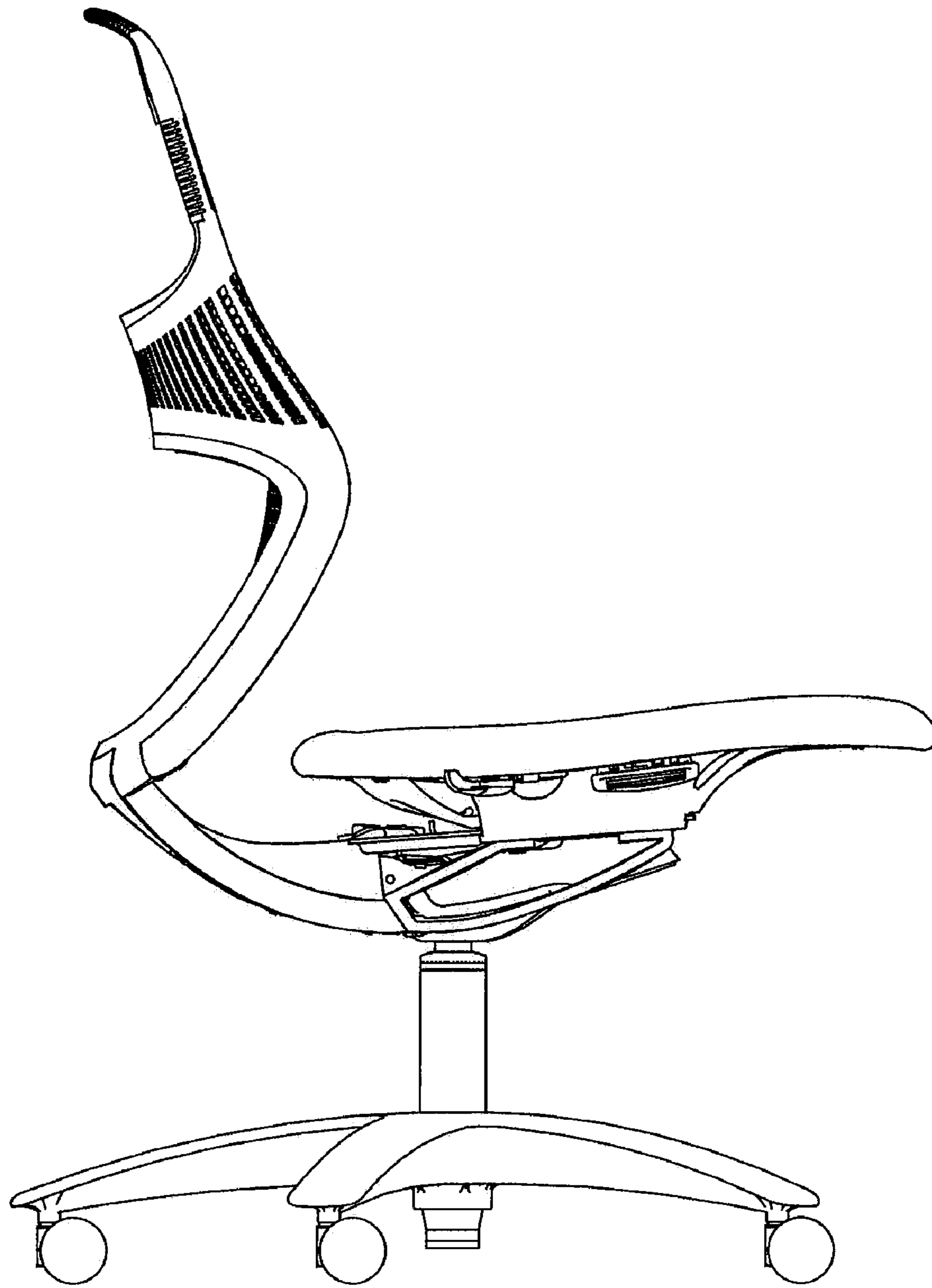


FIGURE 3

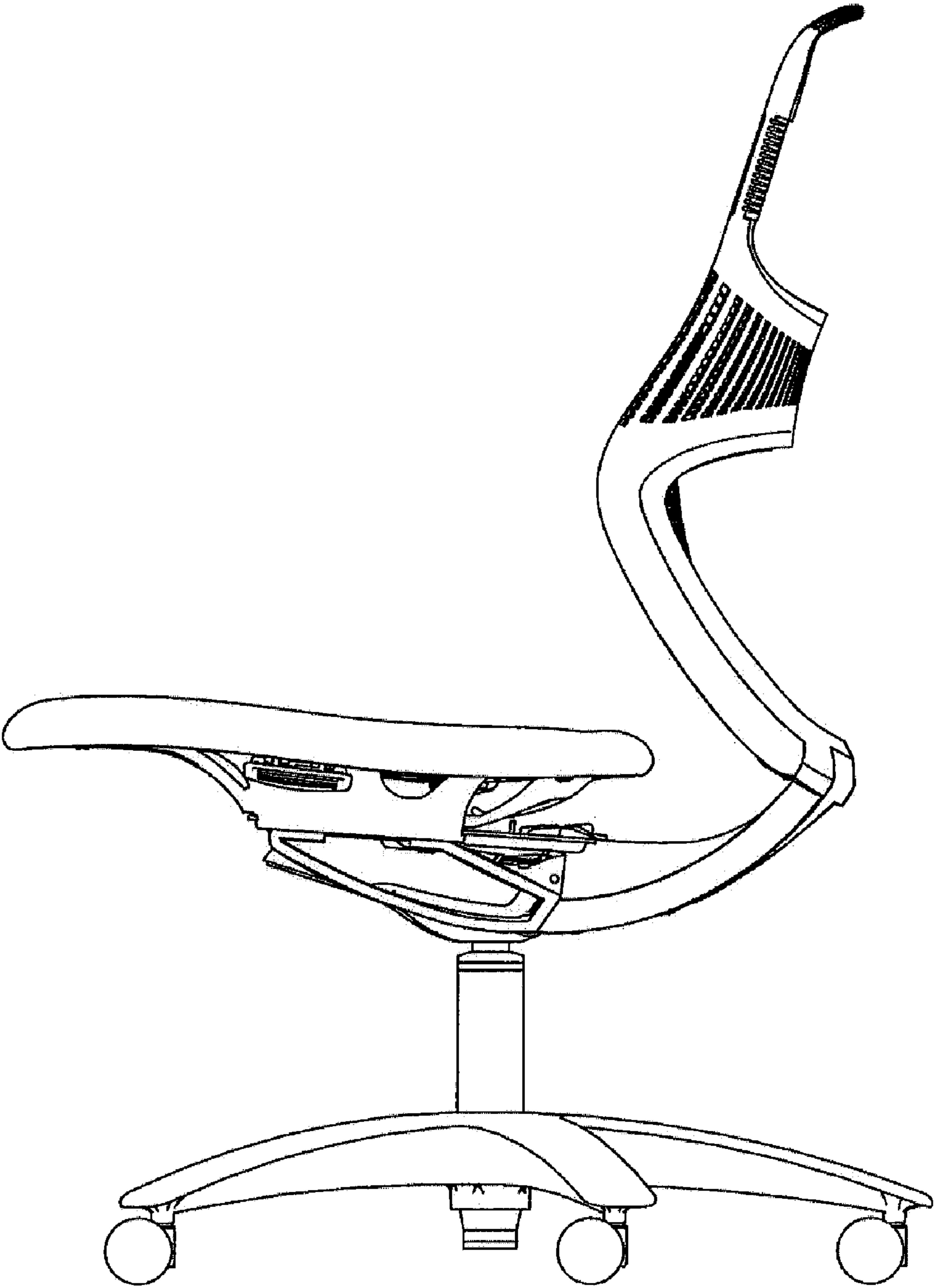


FIGURE 4

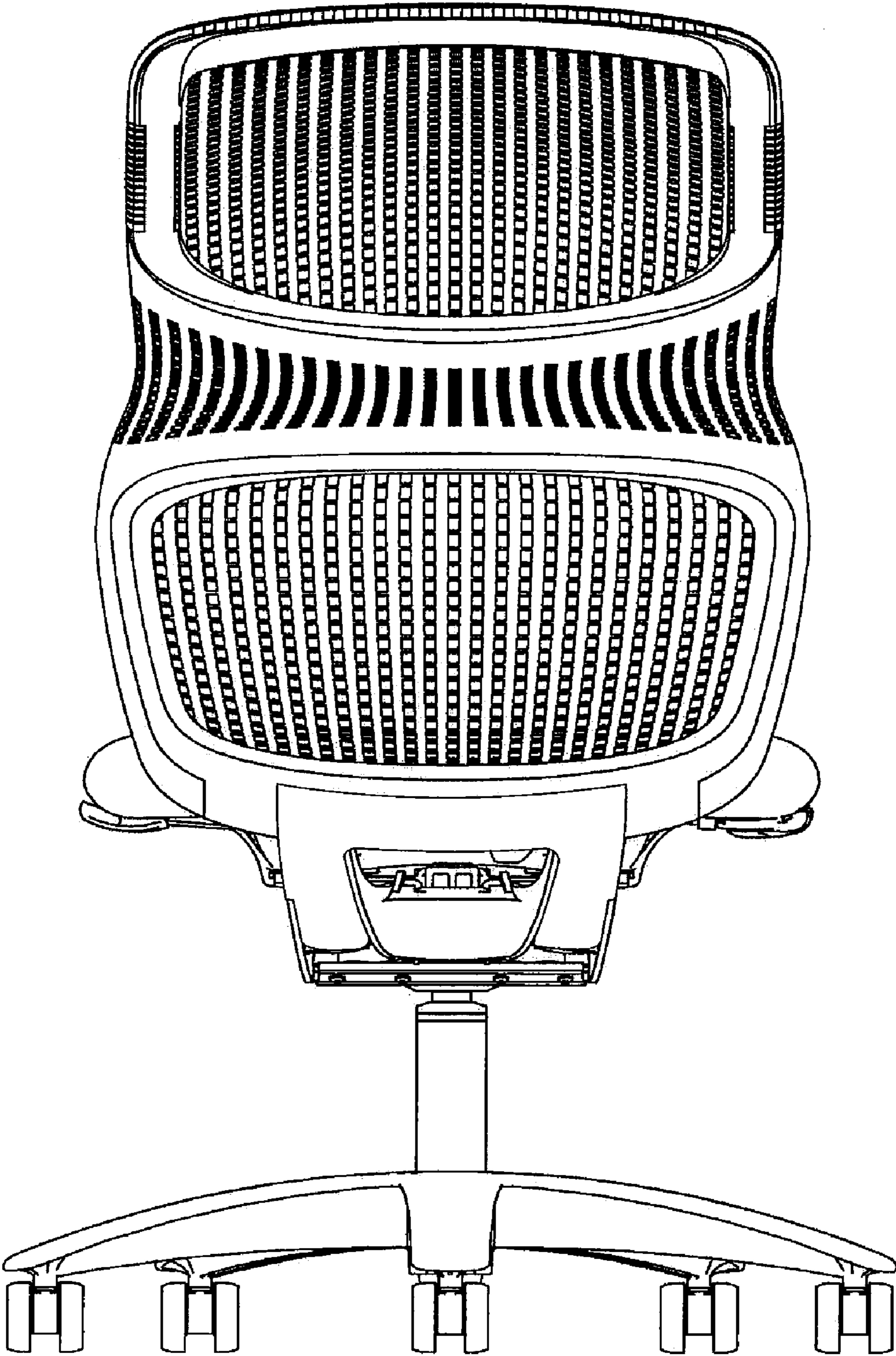


FIGURE 5

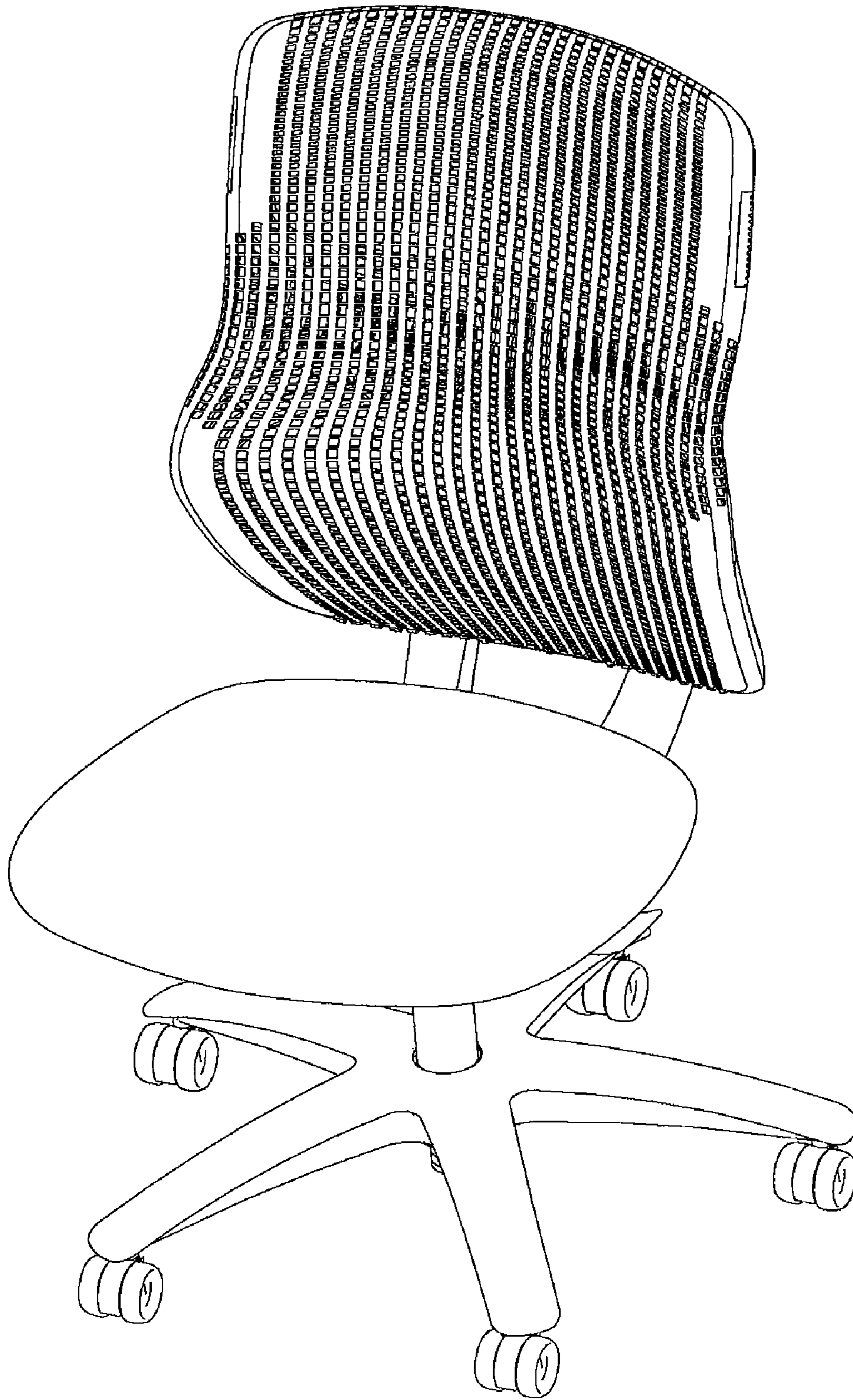


FIGURE 6