

US00D604534S

(12) **United States Design Patent**
Guggenbiller, Jr.

(10) **Patent No.:** **US D604,534 S**

(45) **Date of Patent:** **** Nov. 24, 2009**

(54) **CHAIR ANTI-SINK GROUND SUPPORT SET**

(76) Inventor: **David J Guggenbiller, Jr.**, 132 Hidden
Tree La., Amherst, OH (US) 44001-1919

(**) Term: **14 Years**

(21) Appl. No.: **29/335,388**

(22) Filed: **Apr. 14, 2009**

(51) **LOC (9) Cl.** **06-01**

(52) **U.S. Cl.** **D6/495**

(58) **Field of Classification Search** D6/334,
D6/336, 338, 349, 352, 363, 374, 375, 380,
D6/381, 491, 492, 500-502, 495; 297/175,
297/411.2, 445.1, 446.1, 446.2, 447.1, 447.2,
297/448.1, 451.2, 452.11, 452.29, 461, 462;
5/12.1, 12.2

See application file for complete search history.

(56) **References Cited**

U.S. PATENT DOCUMENTS

3,224,718	A	*	12/1965	Fairchild	248/158
D221,616	S	*	8/1971	Hollander	D6/495
D282,030	S	*	1/1986	Sottsass et al.	D6/422
D315,997	S	*	4/1991	Bales et al.	D6/495
D333,055	S	*	2/1993	Kaye	D6/495
D333,056	S	*	2/1993	Kaye	D6/495
5,203,039	A	*	4/1993	Fredman	5/203
5,332,182	A	*	7/1994	Weisz et al.	248/188.4
5,427,342	A		6/1995	Gagnon		
D376,713	S	*	12/1996	Kelso	D6/496

D387,927	S	*	12/1997	Canton Gongora et al.	..	D6/495
D418,699	S	*	1/2000	Burns et al.	D6/496
D427,461	S	*	7/2000	Burns et al.	D6/495
D450,496	S	*	11/2001	Schwartz et al.	D9/495
D451,310	S	*	12/2001	Schwartz et al.	D6/495
D479,065	S	*	9/2003	Verbeek	D6/495
D502,852	S	*	3/2005	Wang	D8/52
6,948,283	B2	*	9/2005	Burkart et al.	52/155
D541,085	S	*	4/2007	Marsilio	D6/495
D555,469	S	*	11/2007	Unger	D8/382
D580,685	S	*	11/2008	Draghici et al.	D6/495

* cited by examiner

Primary Examiner—Sandra Snapp

(74) *Attorney, Agent, or Firm*—Crossley Patent Law; Mark A. Crossley

(57) **CLAIM**

The ornamental design for a chair anti-sink ground support set, as shown and described.

DESCRIPTION

FIG. 1 is a front elevation view of a chair anti-sink ground support set showing my new design;

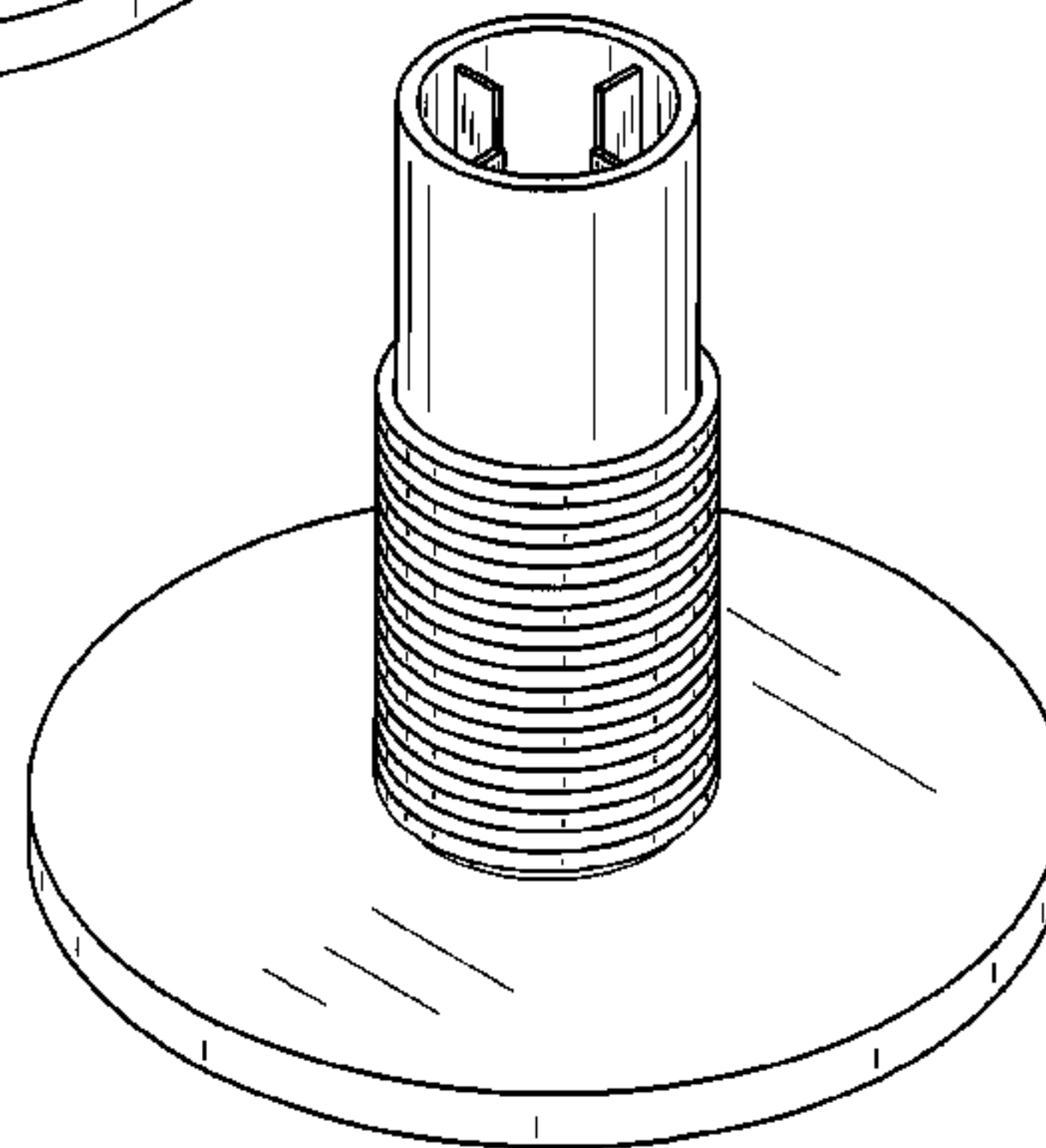
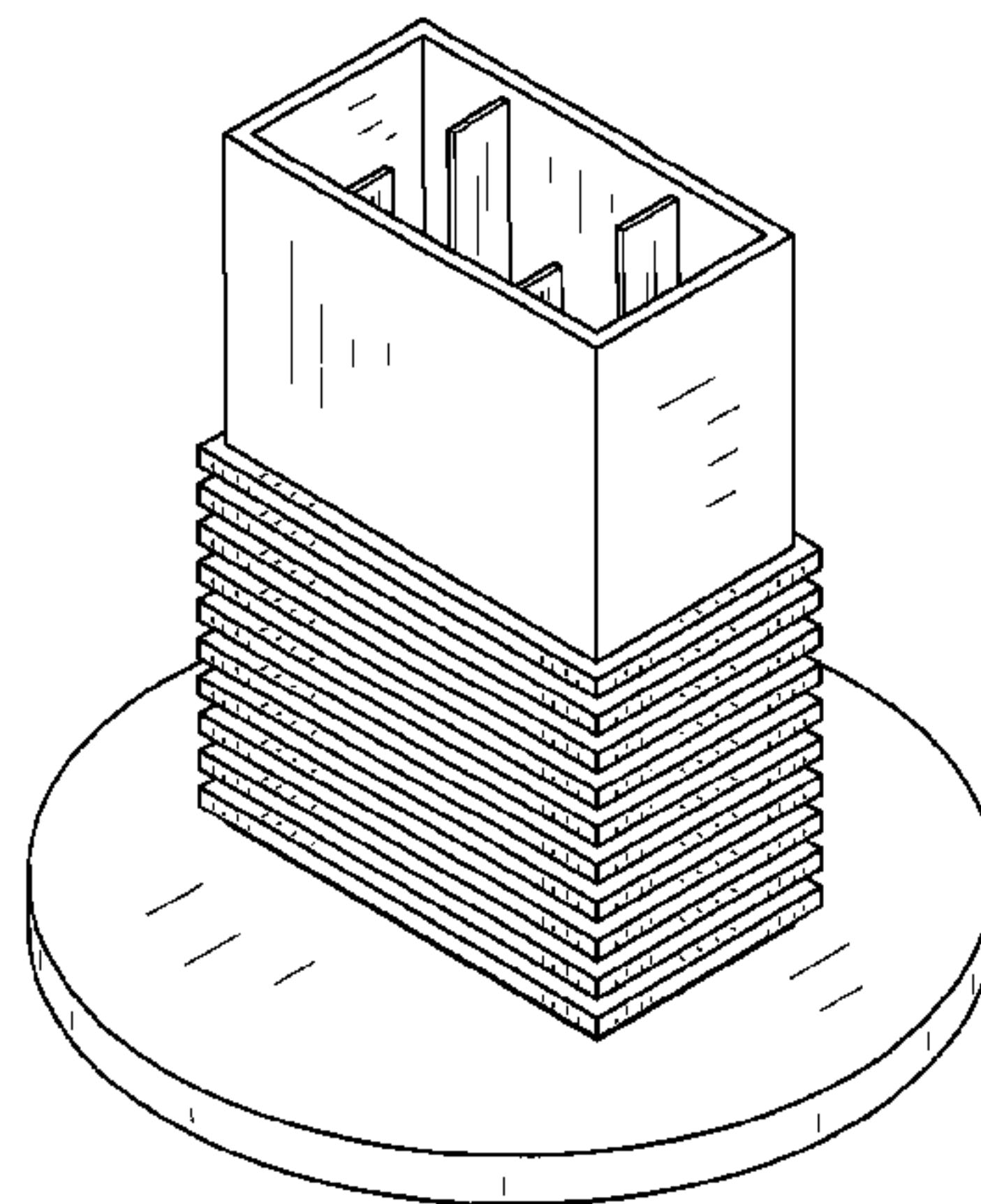
FIG. 2 is a side elevation view thereof;

FIG. 3 is a top plan view thereof;

FIG. 4 is a bottom plan view thereof; and,

FIG. 5 is an isometric view thereof.

1 Claim, 5 Drawing Sheets



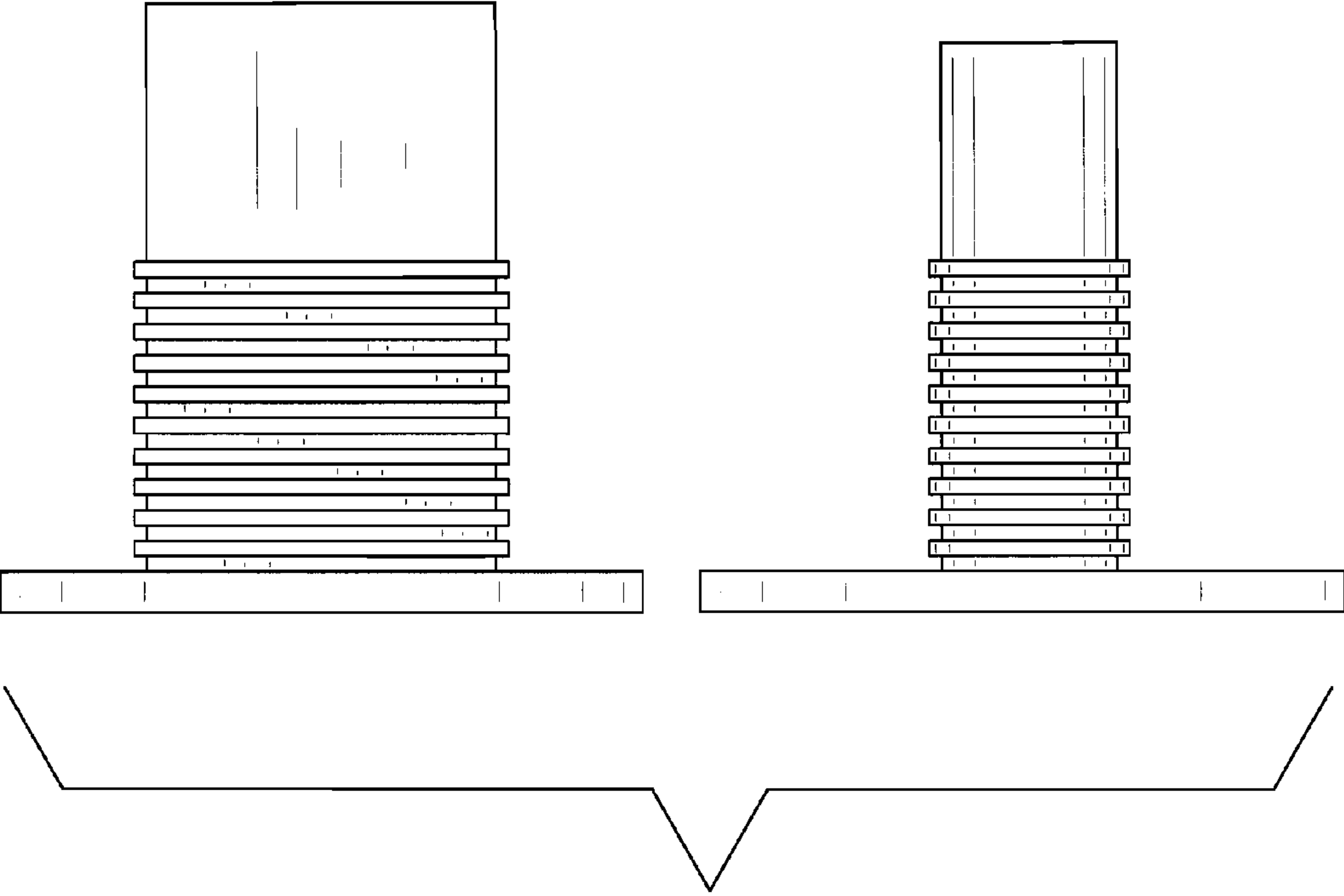


FIG. 1

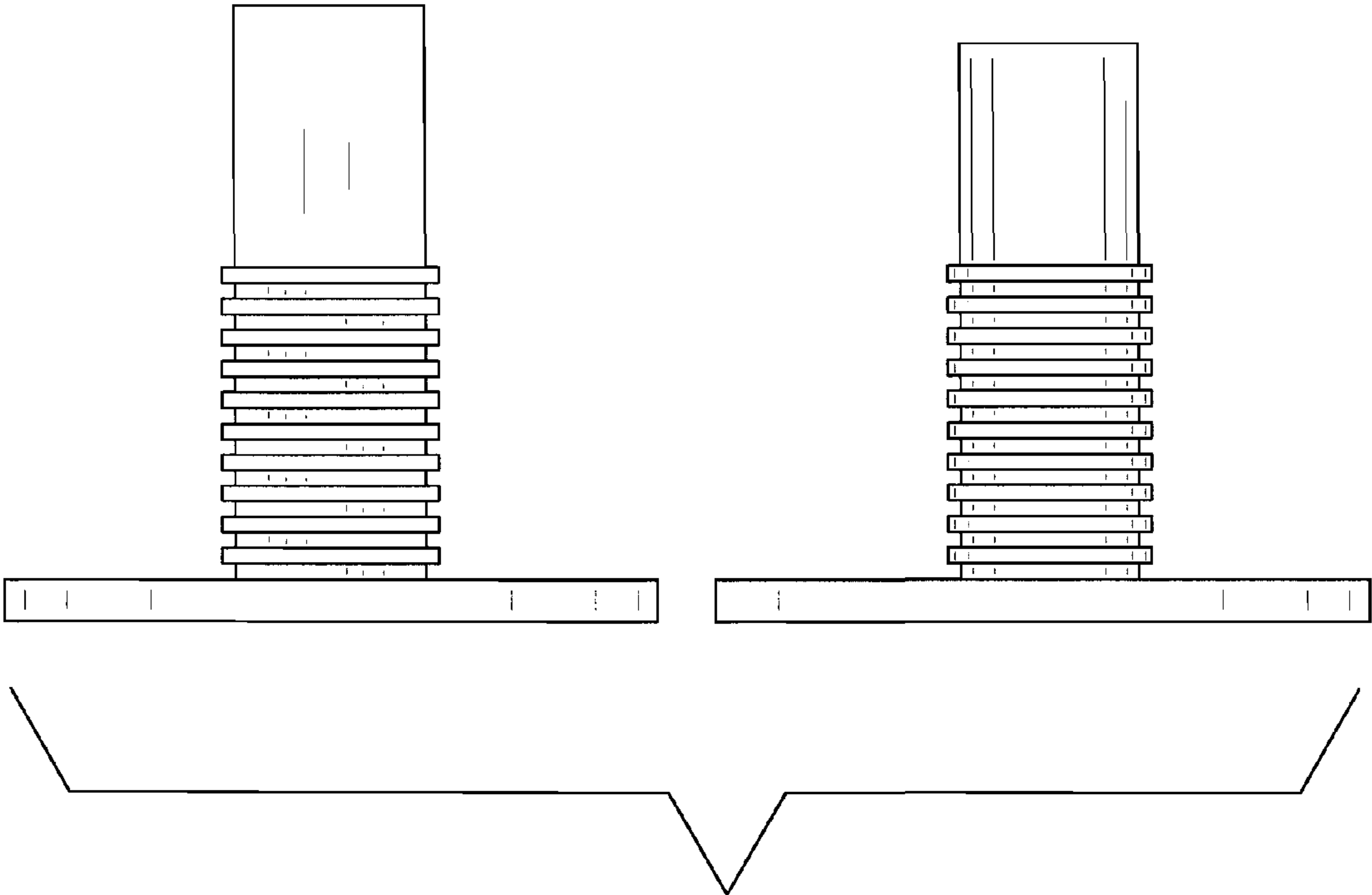


FIG. 2

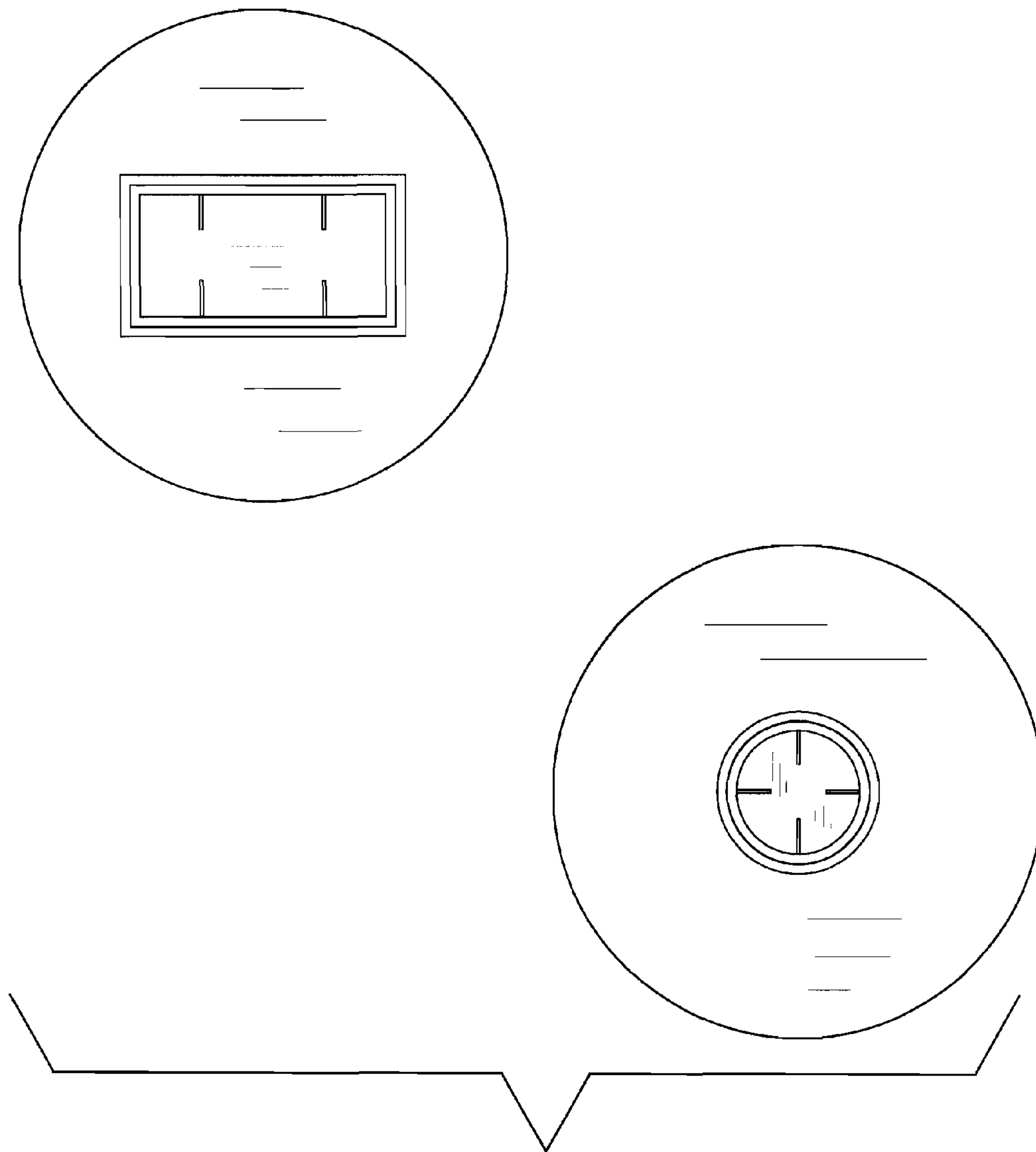


FIG. 3

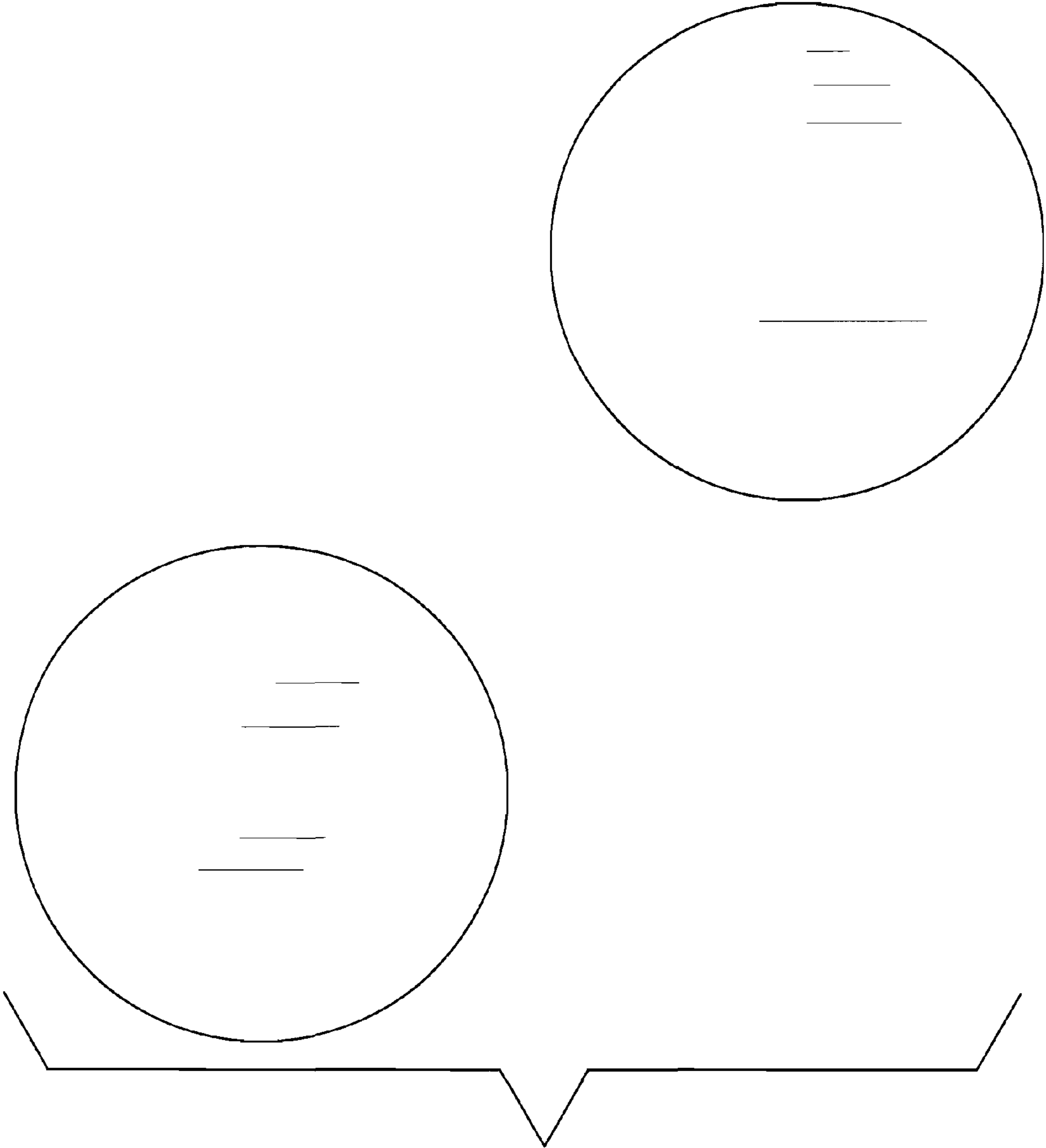


FIG. 4

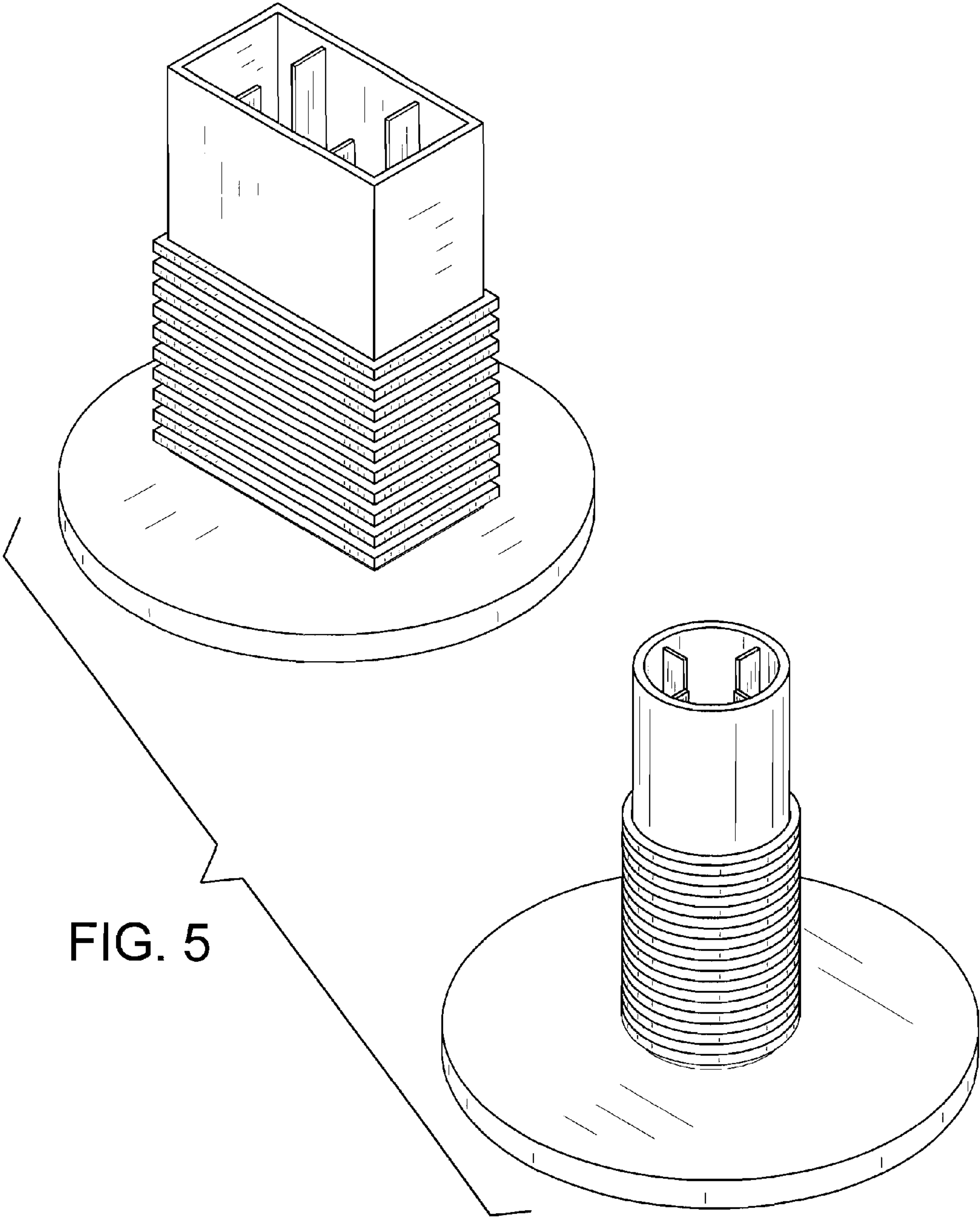


FIG. 5