



US00D604533S

(12) **United States Design Patent**
Muller

(10) **Patent No.:** **US D604,533 S**

(45) **Date of Patent:** **** Nov. 24, 2009**

(54) **TABLE SUPPORT**

D578,322 S 10/2008 Muller D6/495
D578,323 S 10/2008 Muller D6/495

(75) Inventor: **Carl A. Muller**, Huntington Beach, CA
(US)

(73) Assignee: **Elite Manufacturing Corporation**,
Santa Fe Springs, CA (US)

(**) Term: **14 Years**

(21) Appl. No.: **29/329,841**

(22) Filed: **Dec. 22, 2008**

(51) **LOC (9) Cl.** **06-03**

(52) **U.S. Cl.** **D6/495; D6/482**

(58) **Field of Classification Search** D6/480-489,
D6/495-499, 429-431; 108/153.1, 155,
108/156, 161; 248/188, 188.1, 188.8
See application file for complete search history.

(56) **References Cited**

U.S. PATENT DOCUMENTS

D80,243 S	*	12/1929	Moore	D6/485
D114,758 S	*	5/1939	Hartman	D6/477
D138,821 S	*	9/1944	Larson	D6/484
D337,677 S	*	7/1993	Loznikov	D6/495
D370,581 S	*	6/1996	Loznikov	D6/495
D509,385 S		9/2005	Muller	D6/480
D519,761 S		5/2006	Muller	D6/495
D526,821 S		8/2006	Muller	D6/495
D541,560 S		5/2007	Muller	D6/495
D543,733 S		6/2007	Muller	D6/495
D545,087 S		6/2007	Muller	D6/395
D563,123 S		3/2008	Muller et al.	D6/495
D566,996 S		4/2008	Muller	D6/495
D566,997 S		4/2008	Muller	D6/495
D573,376 S		7/2008	Muller	D6/496

OTHER PUBLICATIONS

Crescent Necklace, by Royal Selangor, 1 page, at least as early as May, 2006.

Carl A. Muller, pending U.S. Appl. No. 29/330,823, filed Jan. 14, 2009 entitled "Chair Backrest".

Carl A. Muller, pending U.S. Appl. No. 29/330,824, filed Jan. 14, 2009 entitled "Chair Backrest".

* cited by examiner

Primary Examiner—Janice E Seeger

(74) *Attorney, Agent, or Firm*—Heslin Rothenber Farley & Mesiti PC

(57) **CLAIM**

The ornamental design for a table support, as shown and described.

DESCRIPTION

FIG. 1 is a perspective view of a table support in accordance with the new design;

FIG. 2 is a front elevational view thereof,

FIG. 3 is a rear elevational view thereof;

FIG. 4 is a right side elevational view thereof;

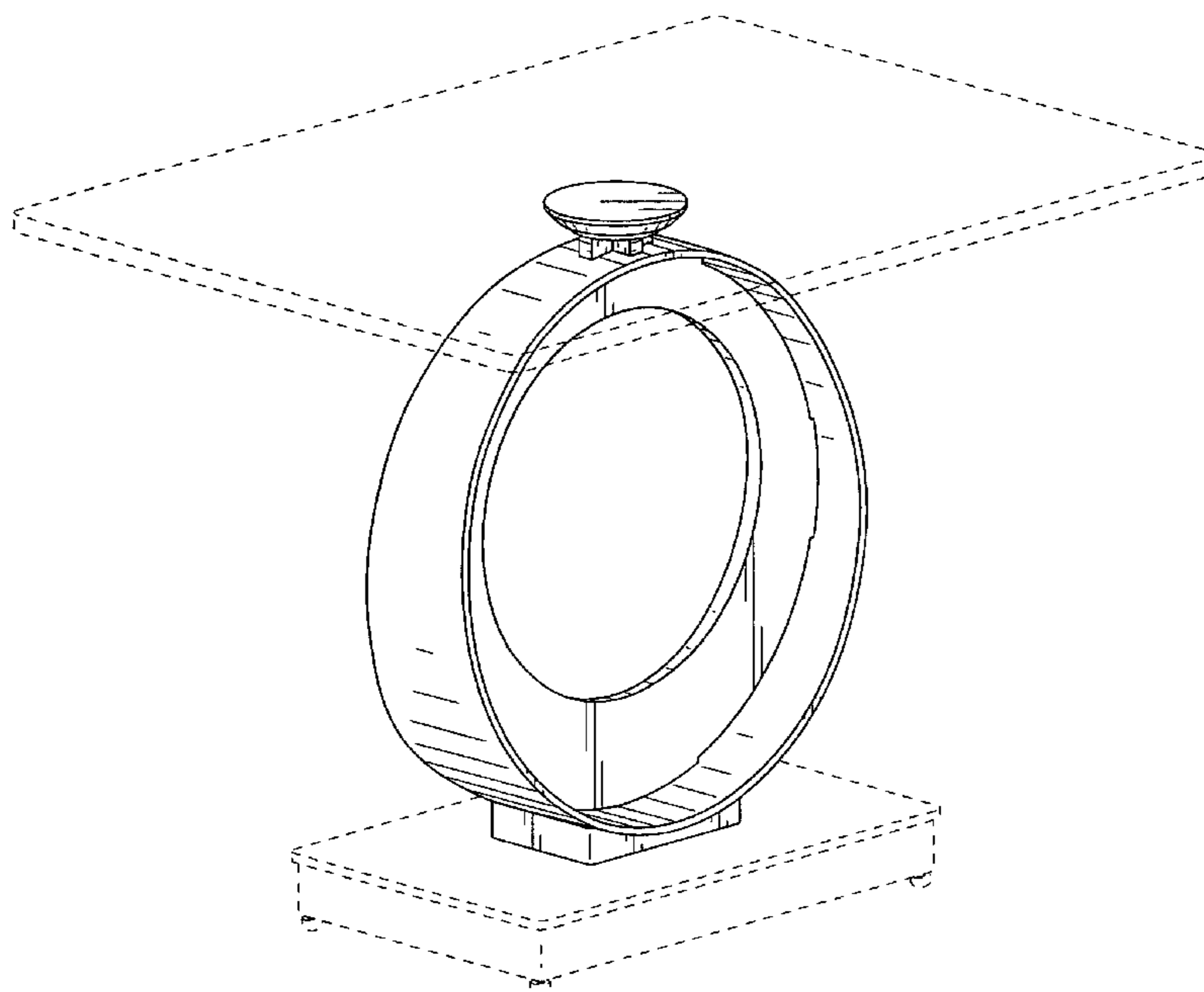
FIG. 5 is a left side elevational view thereof;

FIG. 6 is a top view thereof; and,

FIG. 7 is a perspective view showing the table support in an alternate environment.

The broken lines in the figures are for illustrative purposes only and form no part of the claimed design.

1 Claim, 7 Drawing Sheets



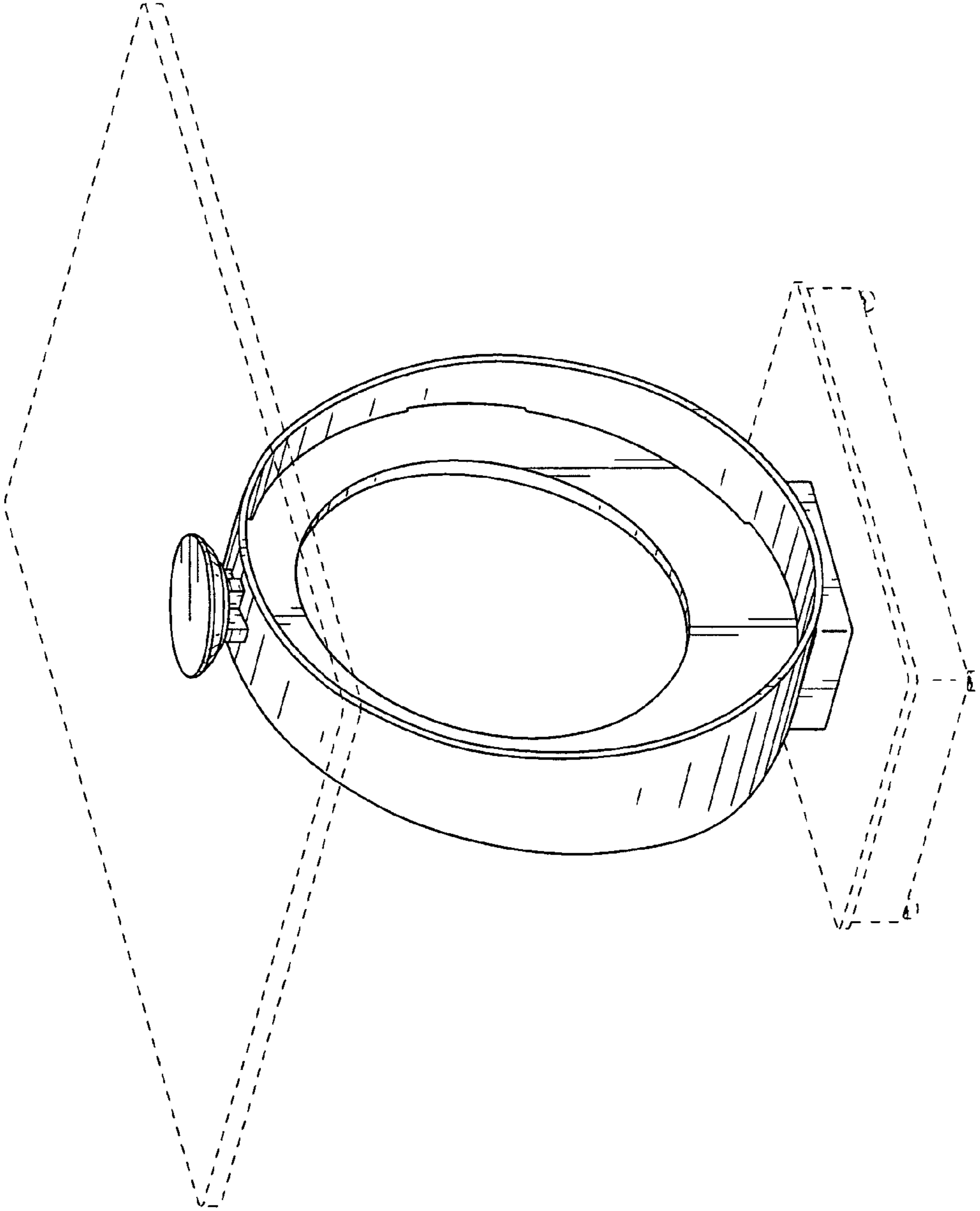


FIG. 1

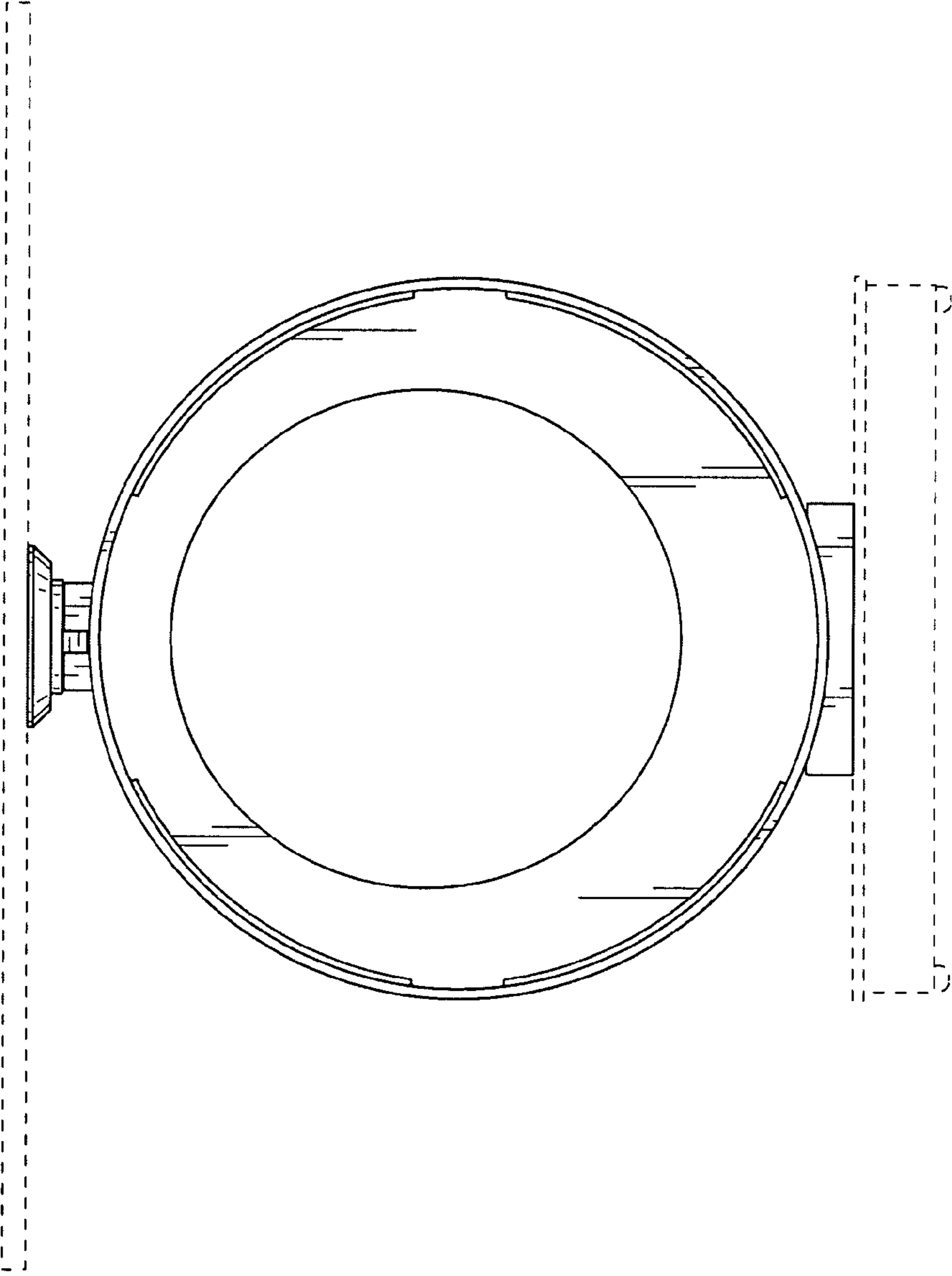


FIG. 2

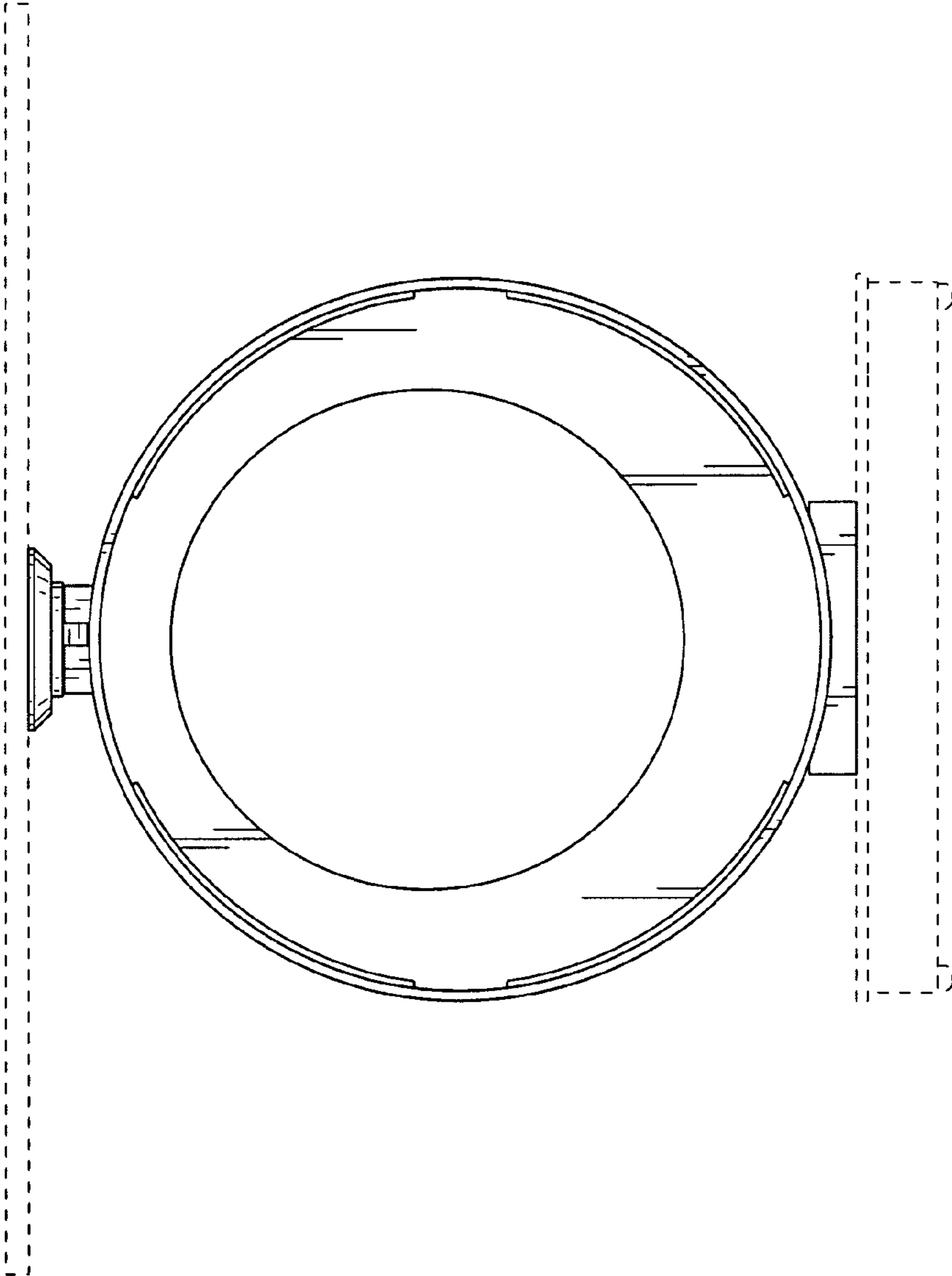


FIG. 3

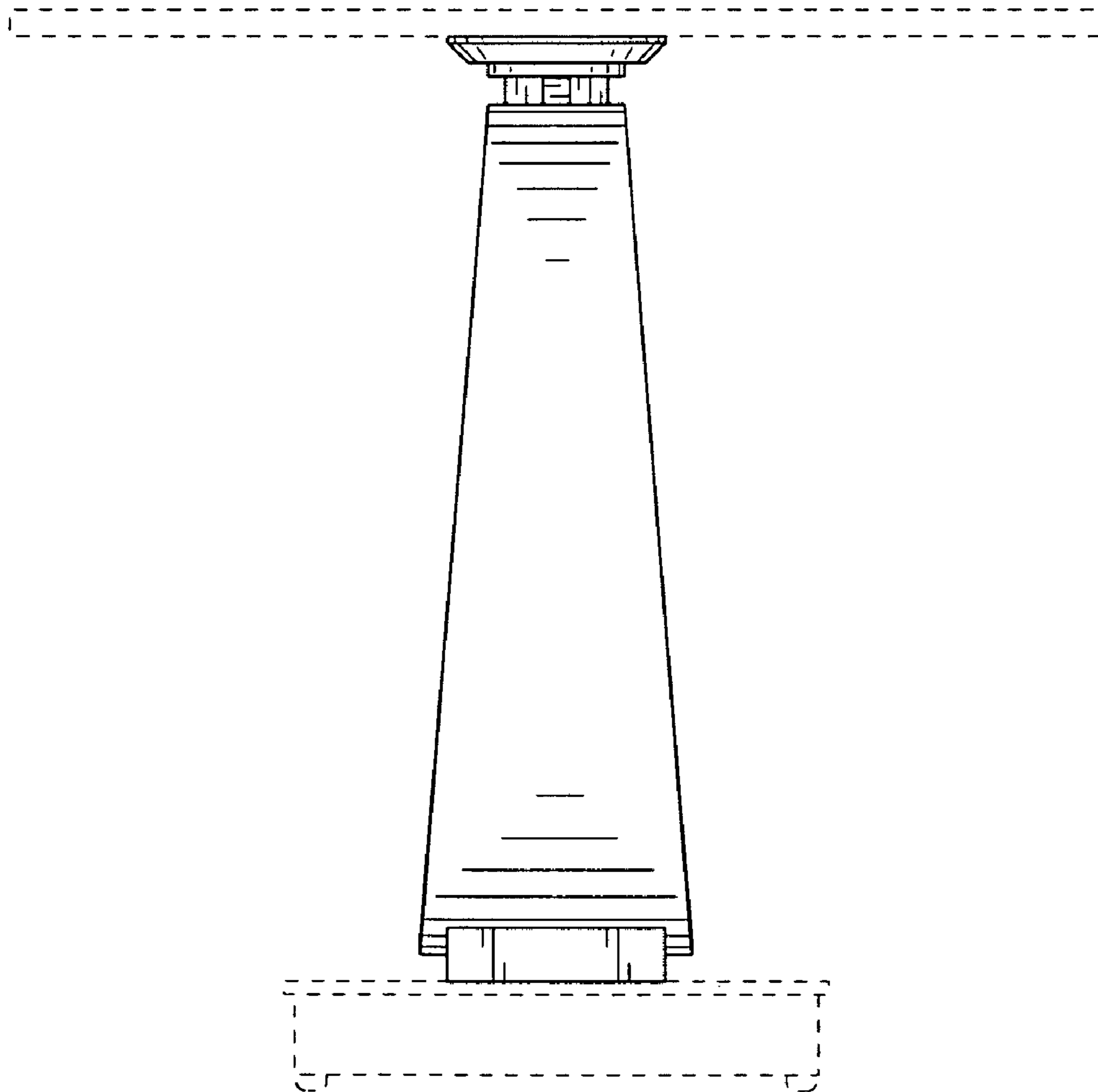


FIG. 4

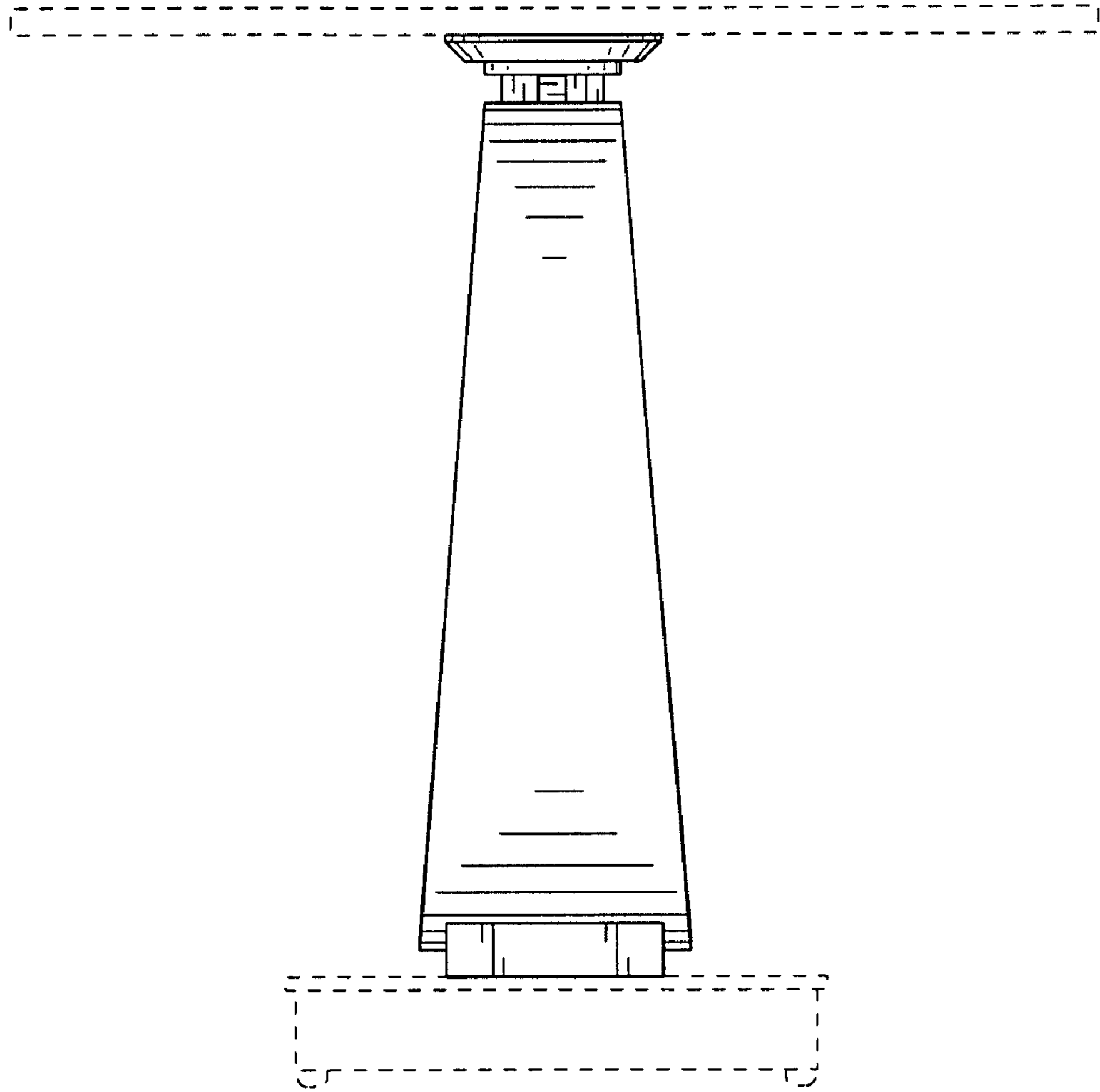


FIG. 5

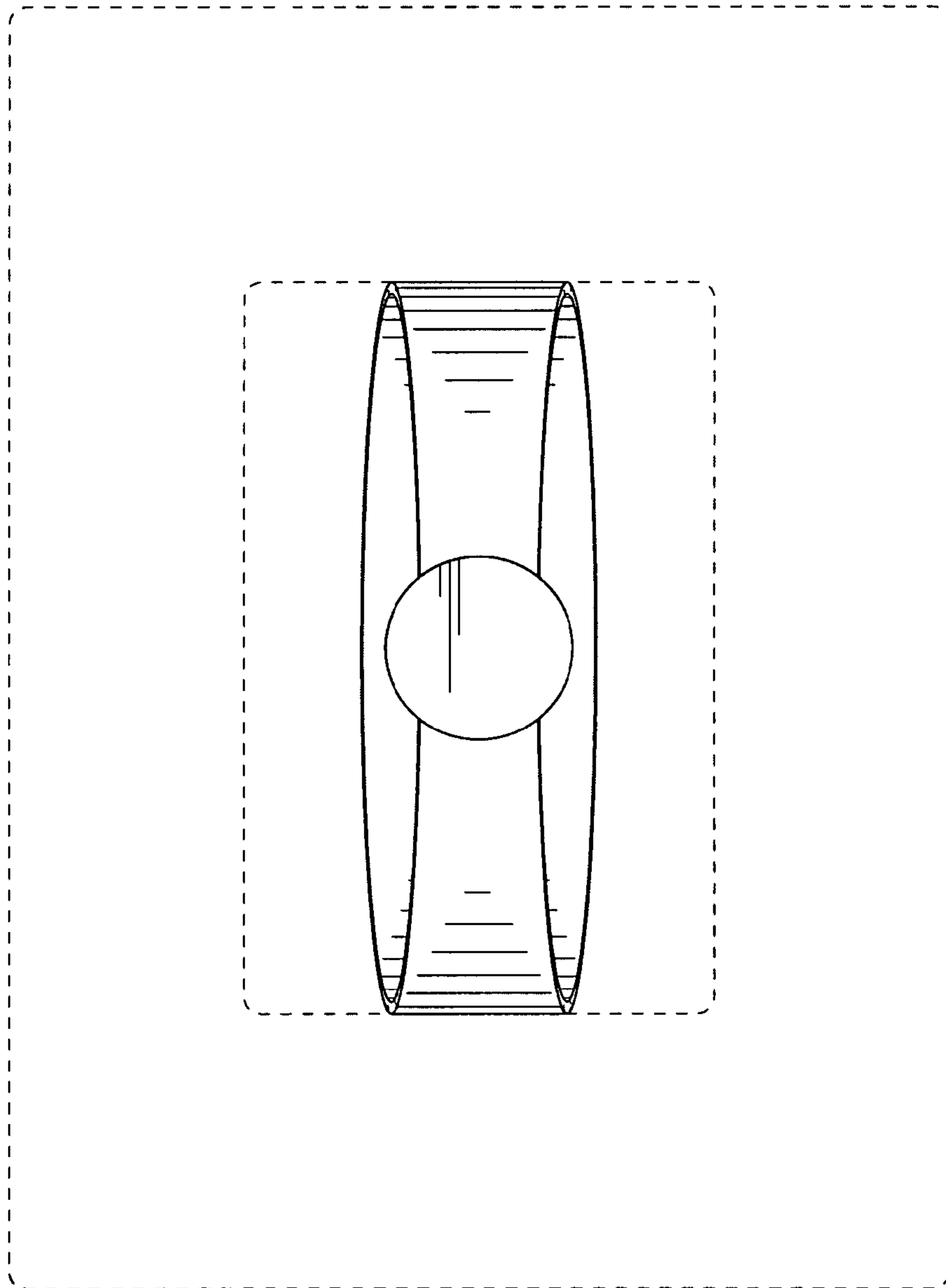


FIG. 6

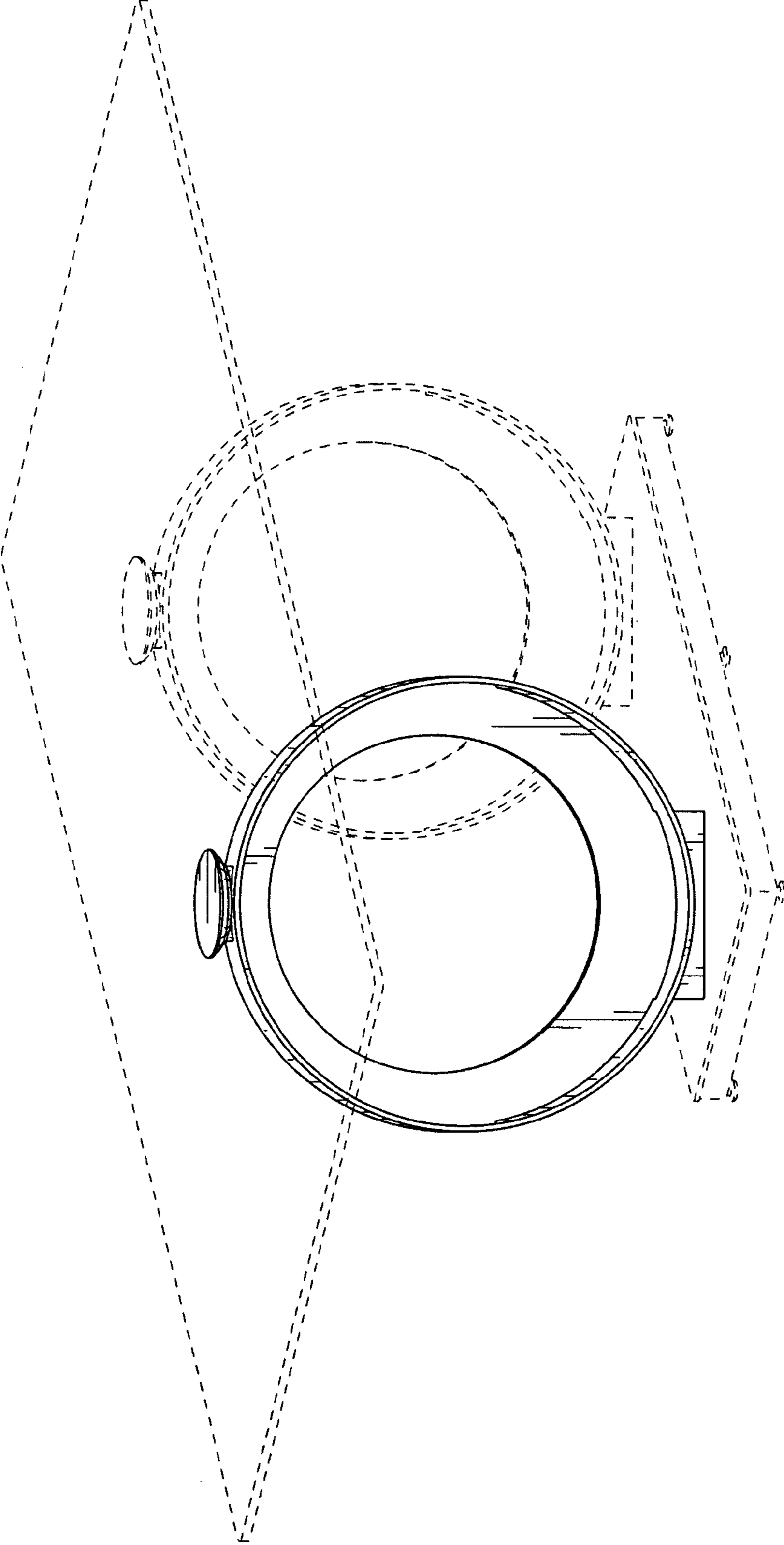


FIG. 7