



US00D604532S

(12) **United States Design Patent**  
**Stoller**

(10) **Patent No.:** **US D604,532 S**

(45) **Date of Patent:** **\*\* Nov. 24, 2009**

(54) **PODIUM TABLE**

(76) Inventor: **Evan Stoller**, 19 Central Square,  
Chatham, NY (US) 12037

(\*\*) Term: **14 Years**

(21) Appl. No.: **29/328,495**

(22) Filed: **Nov. 25, 2008**

(51) **LOC (9) Cl.** ..... **06-03**

(52) **U.S. Cl.** ..... **D6/495; D6/499**

(58) **Field of Classification Search** ..... D6/480-489,  
D6/495-499, 429-431, 419, 420; 108/153.1,  
108/155, 156, 161; 248/188, 188.1, 188.8  
See application file for complete search history.

(56) **References Cited**

U.S. PATENT DOCUMENTS

1,357,050	A *	10/1920	Hathorne	.....	108/185
D236,058	S *	7/1975	Kramer	.....	D6/484
D277,717	S *	2/1985	Petrick	.....	D6/495
D293,397	S *	12/1987	Hunt	.....	D6/429
D301,948	S *	7/1989	Marasco	.....	D6/419
D557,522	S *	12/2007	Stapleton et al.	.....	D6/484
D586,591	S *	2/2009	Stoller	.....	D6/495

\* cited by examiner

*Primary Examiner*—Janice E Seeger

(74) *Attorney, Agent, or Firm*—Gottlieb, Rackman &  
Reisman, P.C.

(57) **CLAIM**

The ornamental design for a podium table, as shown and  
described.

**DESCRIPTION**

FIG. 1 is a top, front and left perspective view of the podium  
table showing my new design;

FIG. 2 is a front elevational view thereof, the rear view being  
a mirror image;

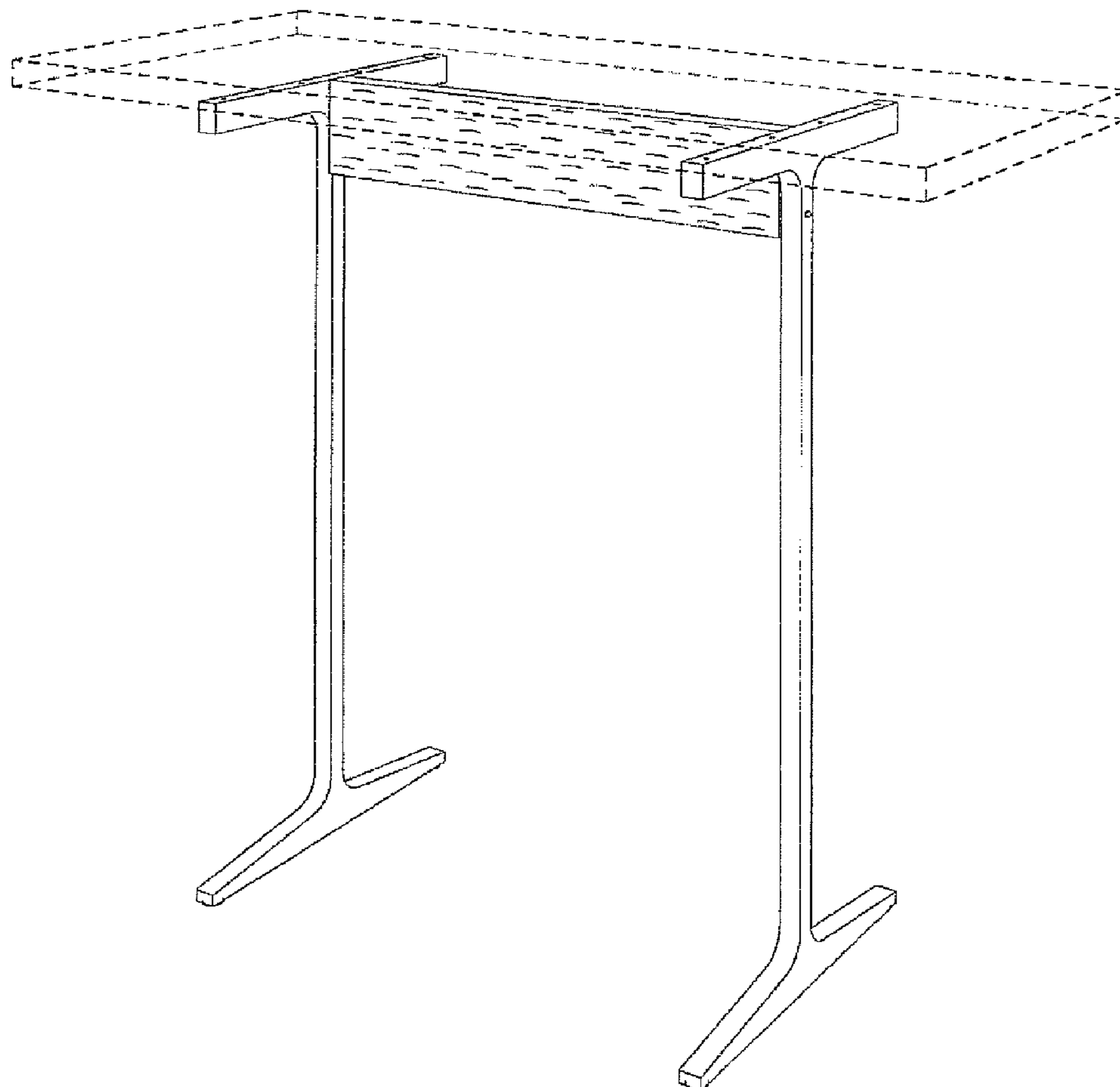
FIG. 3 is a left side elevational view thereof, the right side  
being a mirror image;

FIG. 4 is a top plan view thereof; and,

FIG. 5 is a bottom plan view thereof.

The tabletop in FIGS. 1 through 5 is shown in broken lines for  
illustrative purposes only and forms no part of the claimed  
design.

**1 Claim, 4 Drawing Sheets**



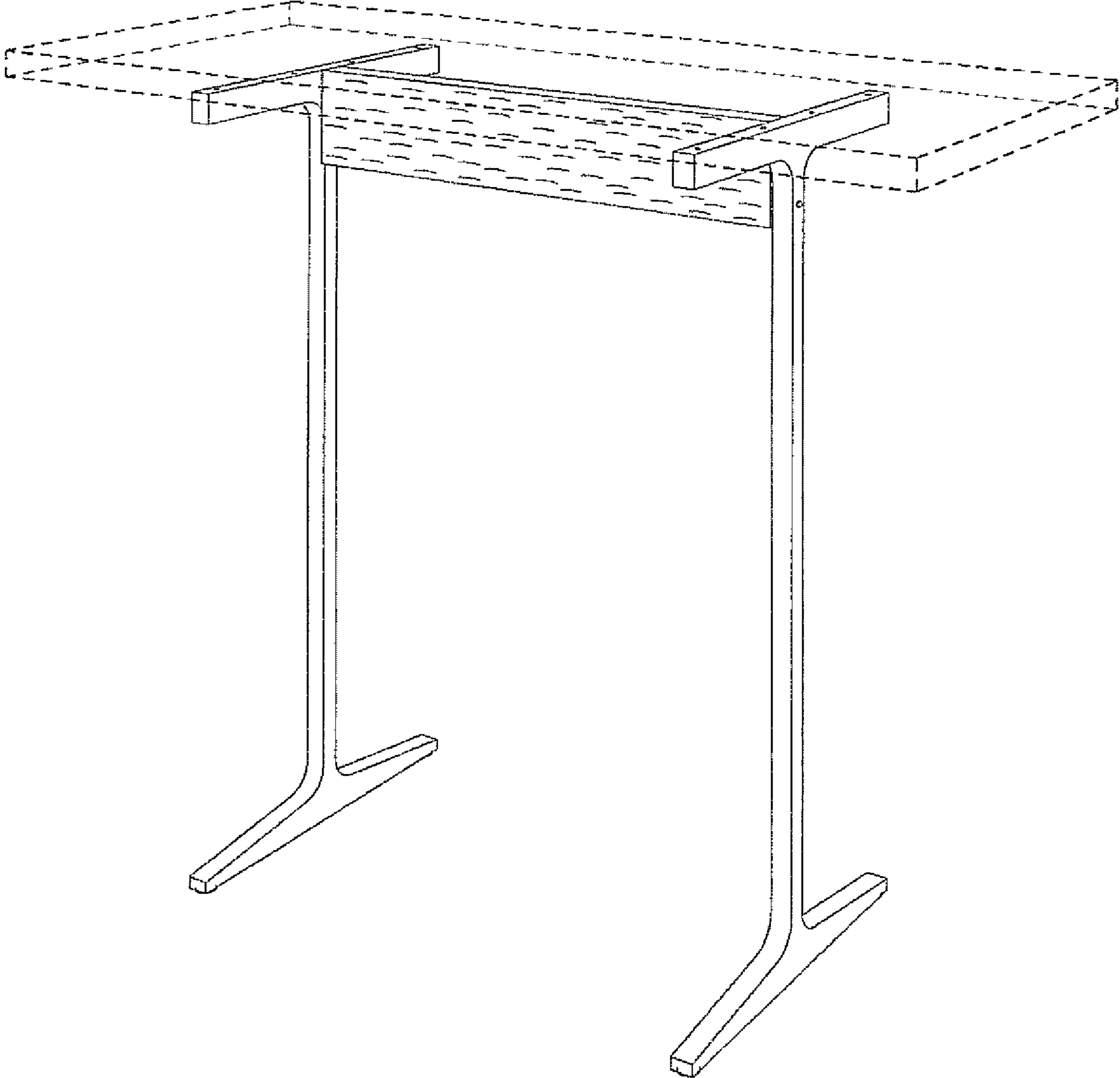


Fig. 1

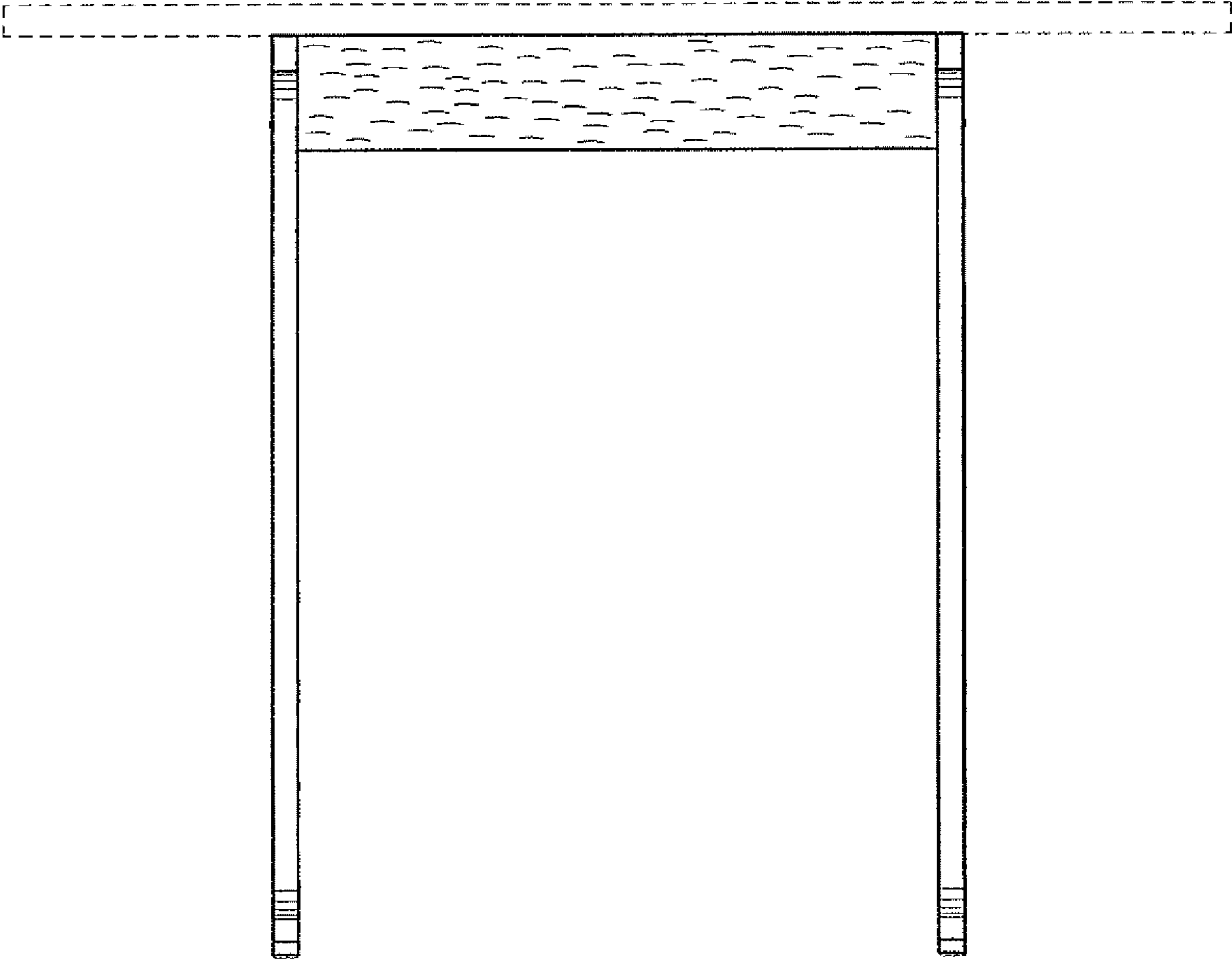


Fig. 2

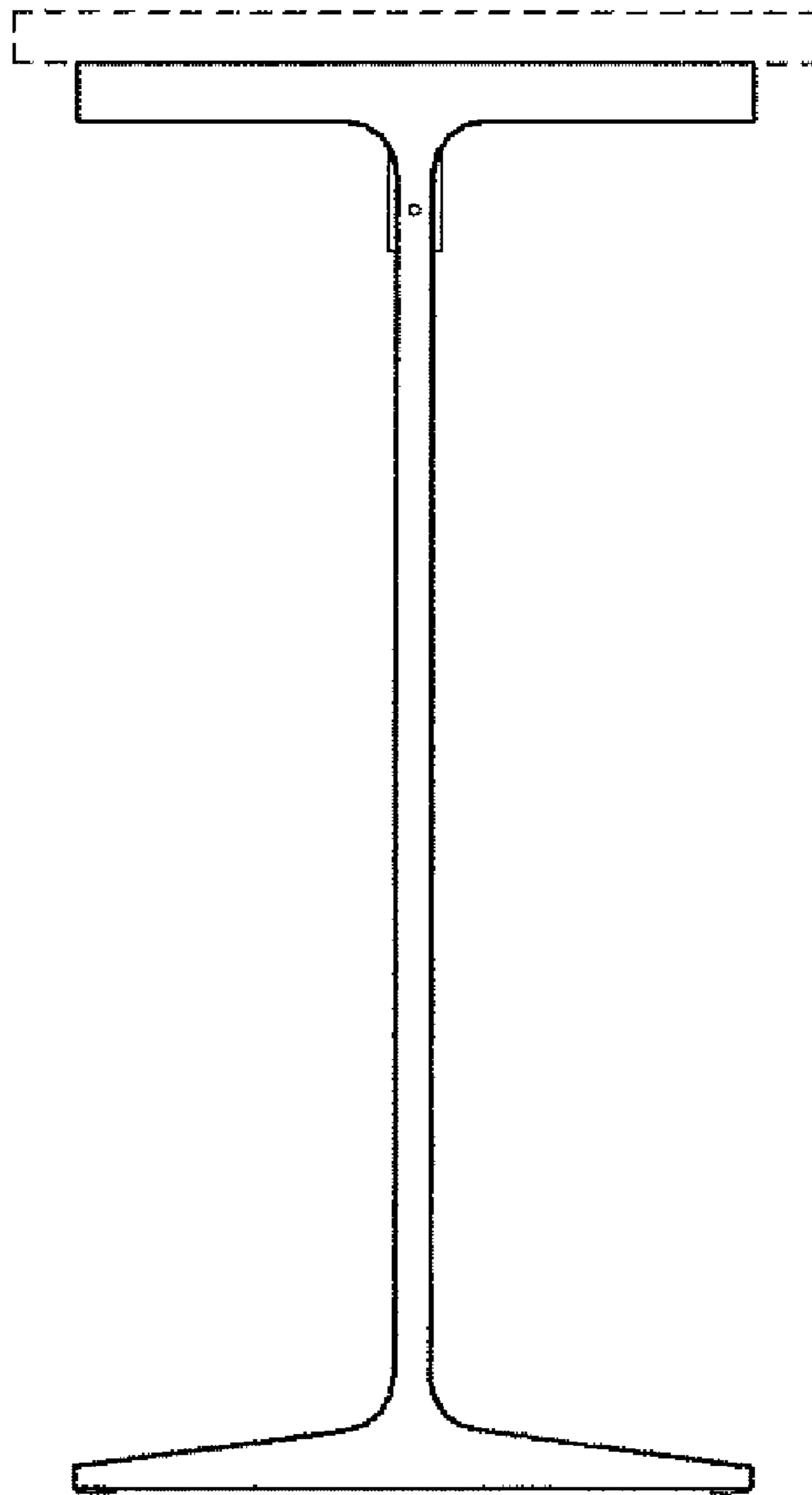


Fig. 3

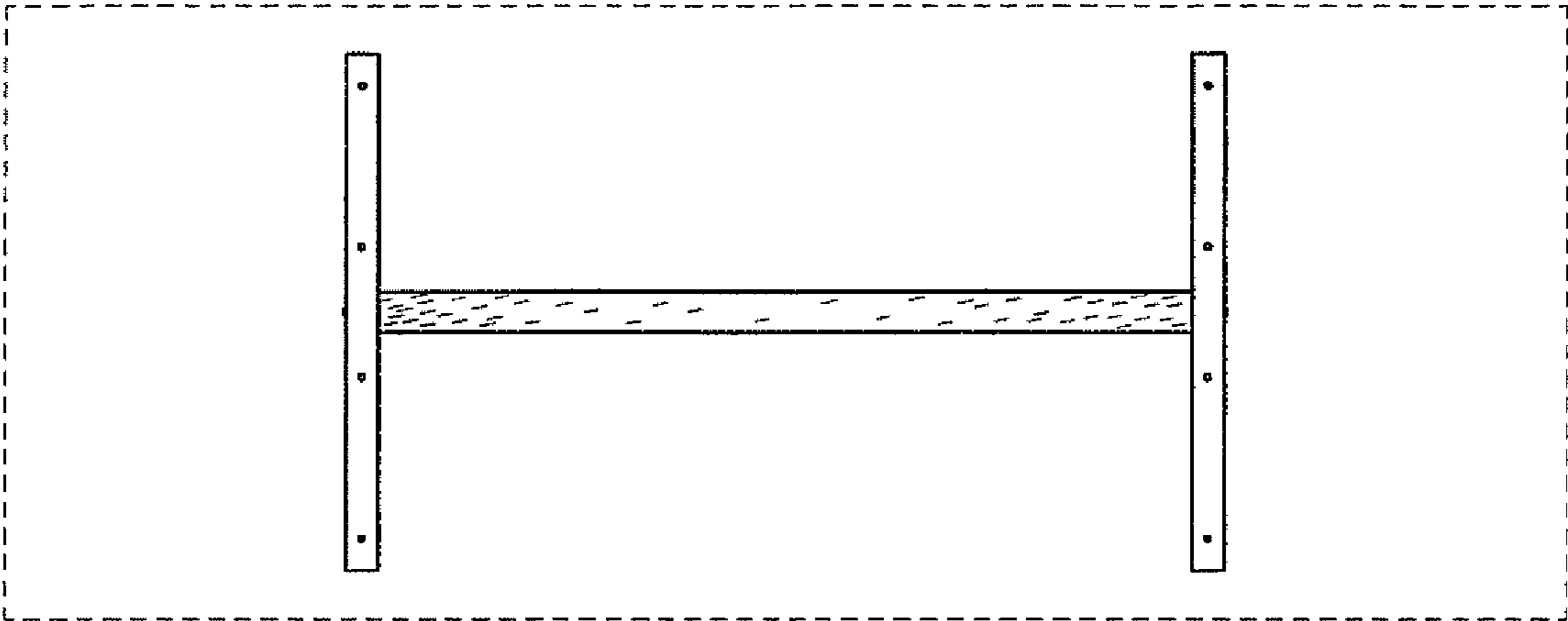


Fig. 4

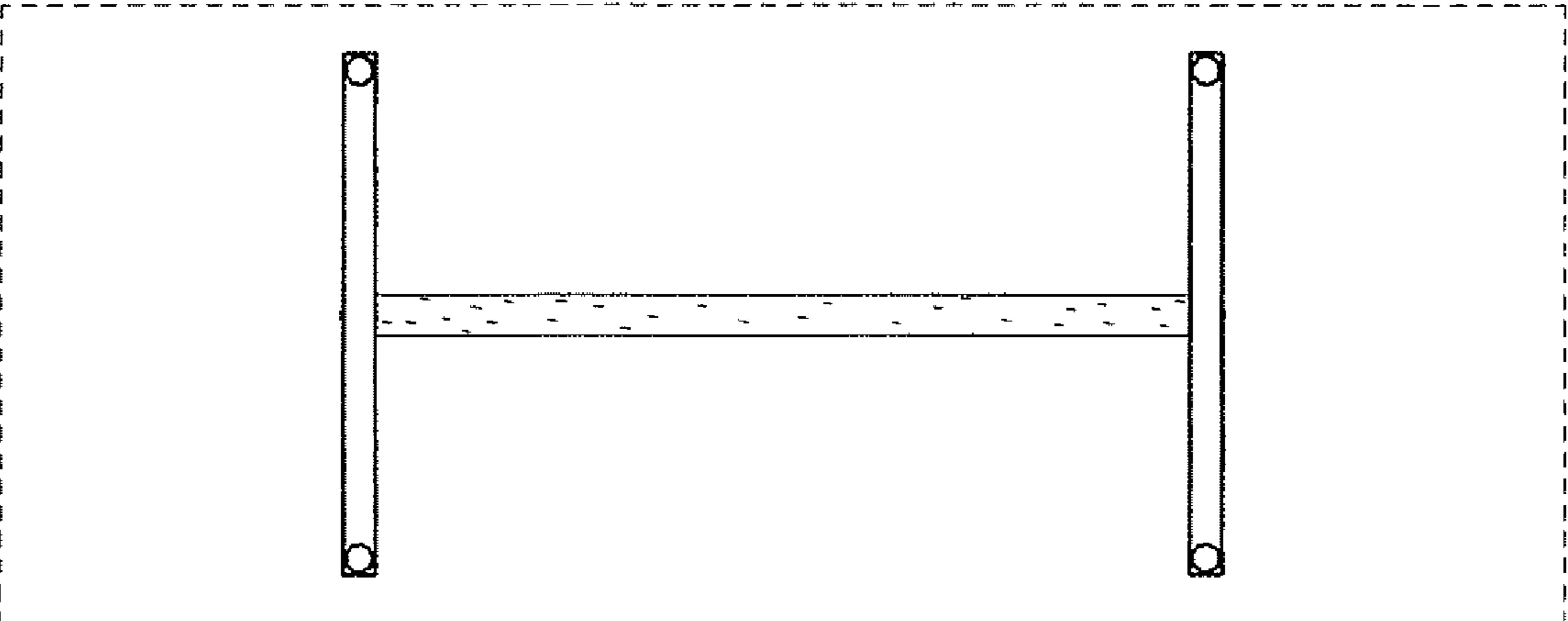


Fig. 5