



US00D604529S

(12) **United States Design Patent**  
**Bloch et al.**

(10) **Patent No.:** **US D604,529 S**

(45) **Date of Patent:** **\*\* Nov. 24, 2009**

(54) **CREDENZA**

(75) Inventors: **Steven C. Bloch**, Ramsey, MN (US);  
**Mark A. Vogeler**, Monticello, MN (US)

(73) Assignee: **Nevers Industries, Inc.**, Minneapolis,  
MN (US)

(\*\*) Term: **14 Years**

(21) Appl. No.: **29/336,368**

(22) Filed: **May 1, 2009**

(51) **LOC (9) Cl.** ..... **06-03**

(52) **U.S. Cl.** ..... **D6/422; D6/423**

(58) **Field of Classification Search** ..... D6/422-428,  
D6/397, 480, 421, 477, 479; 312/194-196,  
312/238; 108/50.01, 50.02

See application file for complete search history.

(56) **References Cited**

**U.S. PATENT DOCUMENTS**

|              |        |                   |       |        |
|--------------|--------|-------------------|-------|--------|
| D186,025 S * | 9/1959 | Fisher            | ..... | D6/445 |
| D215,010 S * | 8/1969 | Barnes            | ..... | D6/423 |
| D302,363 S * | 7/1989 | La Barbera et al. | ..... | D6/423 |
| D314,288 S * | 2/1991 | Andrews           | ..... | D6/422 |
| D559,580 S * | 1/2008 | Newhouse et al.   | ..... | D6/422 |

\* cited by examiner

*Primary Examiner*—Janice E Seeger

(74) *Attorney, Agent, or Firm*—Patterson, Thunte, Skaar & Christensen, P.A.

(57) **CLAIM**

We claim the ornamental design for a credenza, as shown and described.

**DESCRIPTION**

FIG. 1 is a front corner perspective view of a credenza according to an embodiment of the invention. The view from the adjacent front corner being a mirror image thereof.

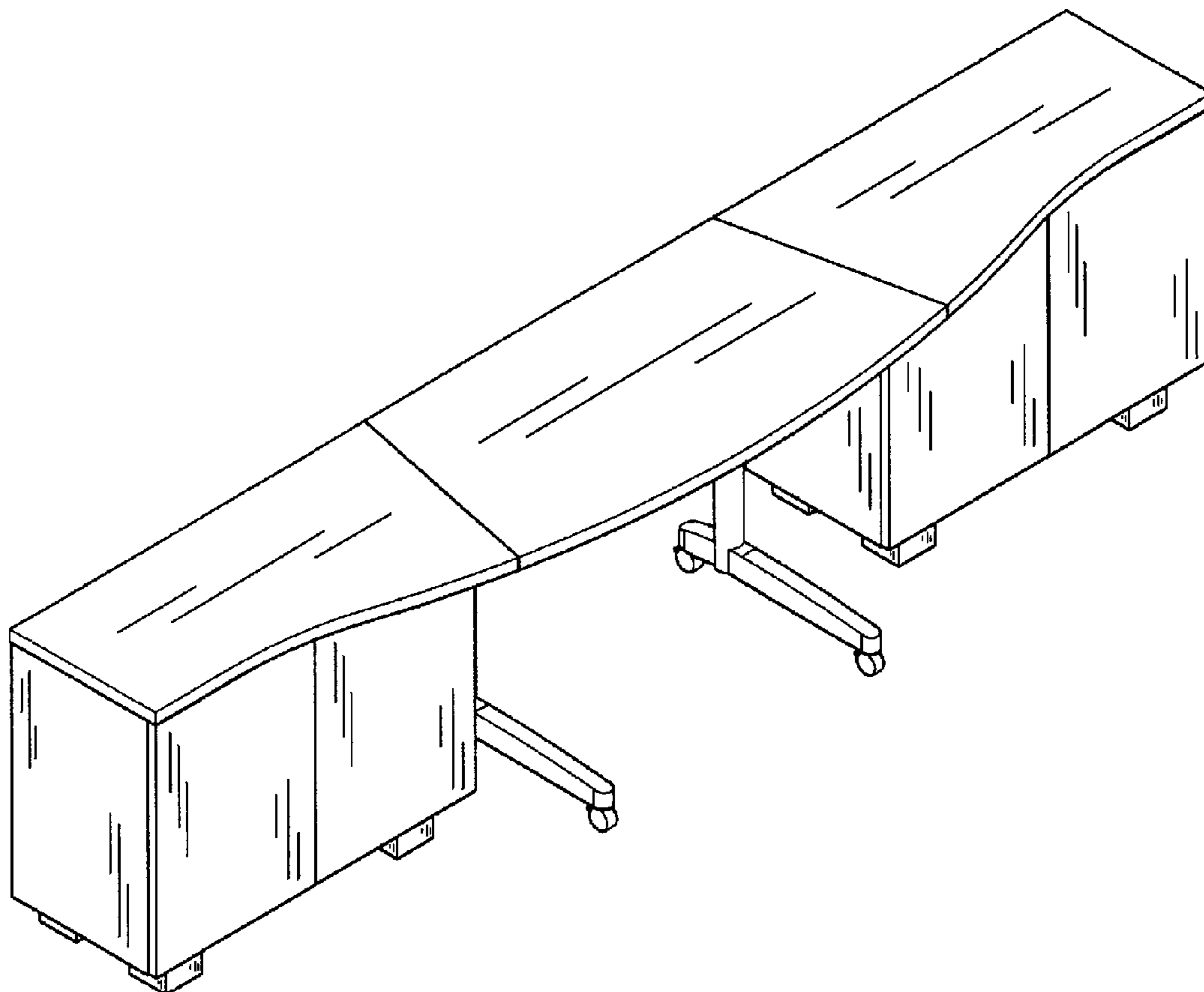
FIG. 2 is a front elevational view of a credenza according to an embodiment of the invention.

FIG. 3 is a side elevational view of a credenza according to an embodiment of the invention. The view from the opposite side being a mirror image thereof.

FIG. 4 is a top plan view of a credenza according to an embodiment of the invention; and,

FIG. 5 is a front corner perspective view of a credenza according to an embodiment of the invention with the center section of the credenza moved forward from the position seen in FIG. 1.

**1 Claim, 5 Drawing Sheets**



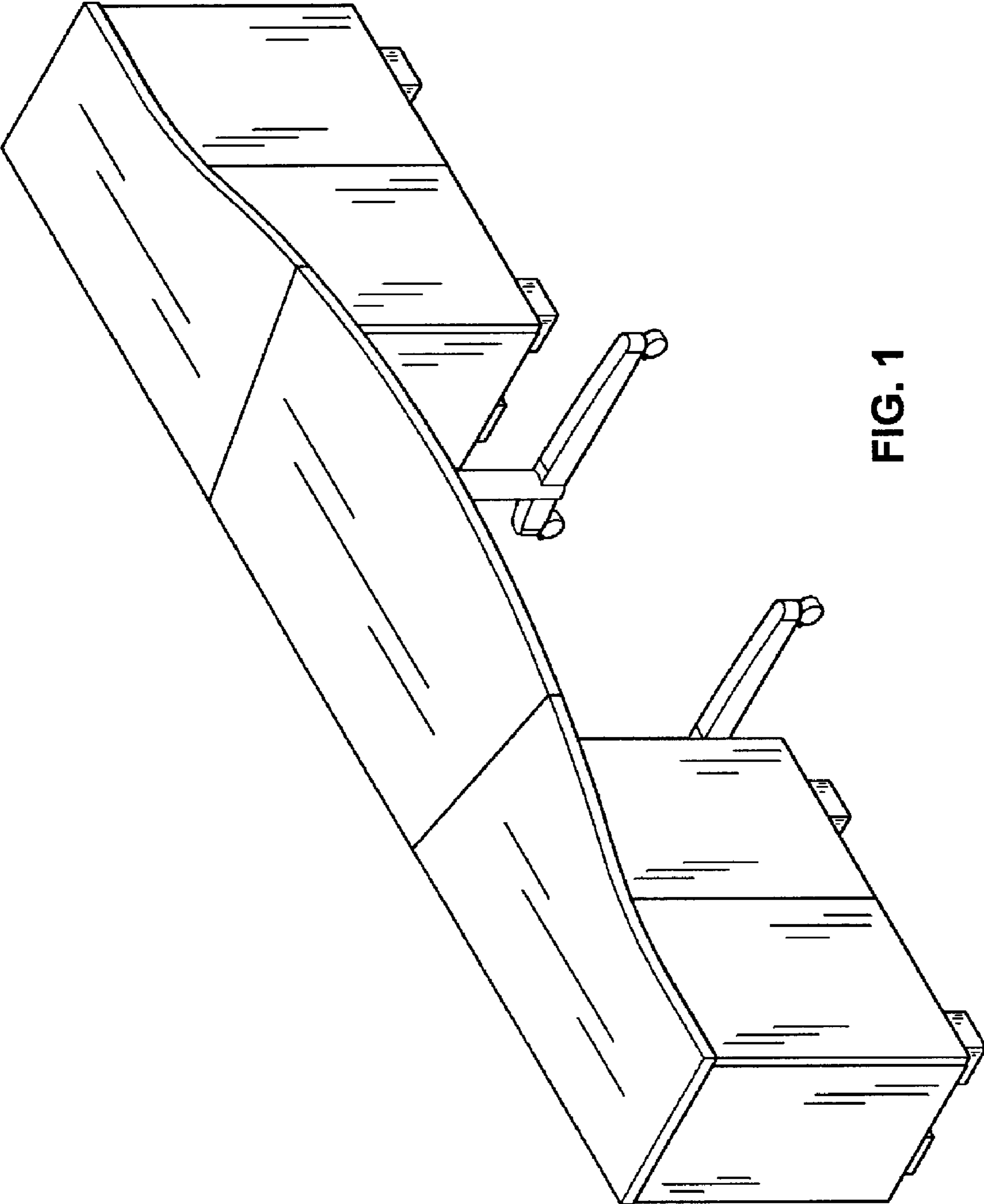


FIG. 1

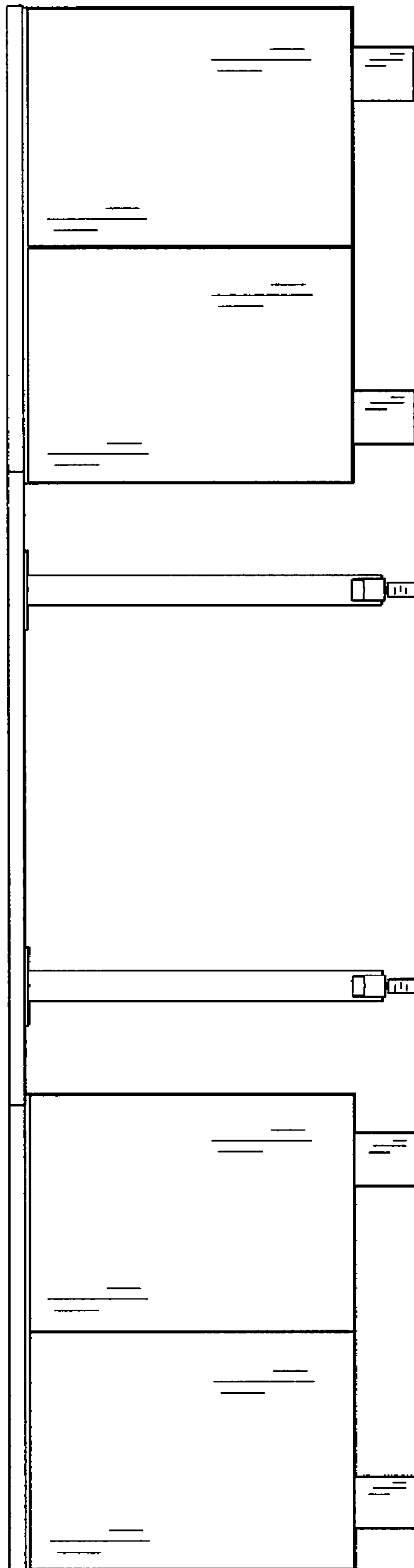


FIG. 2

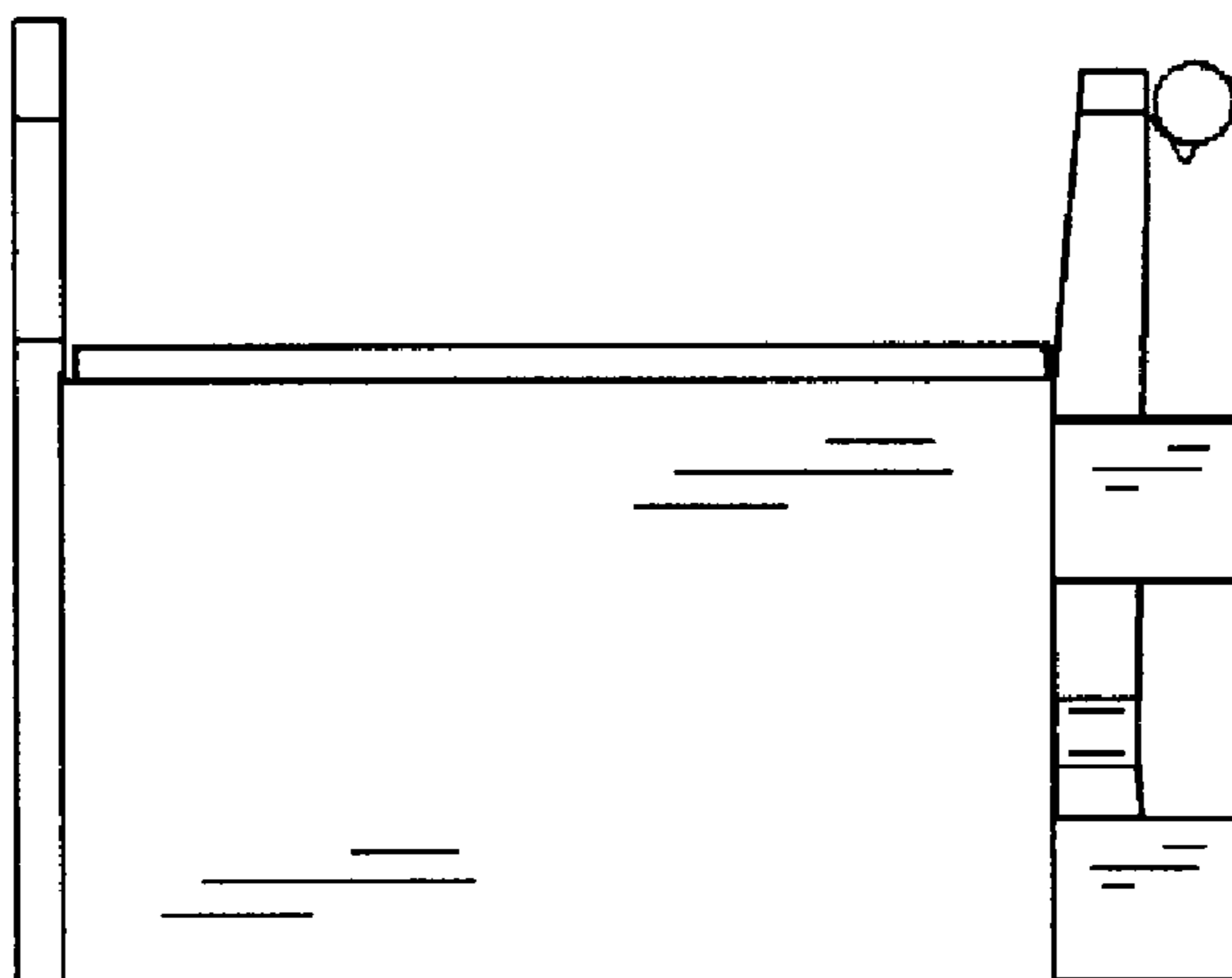


FIG. 3

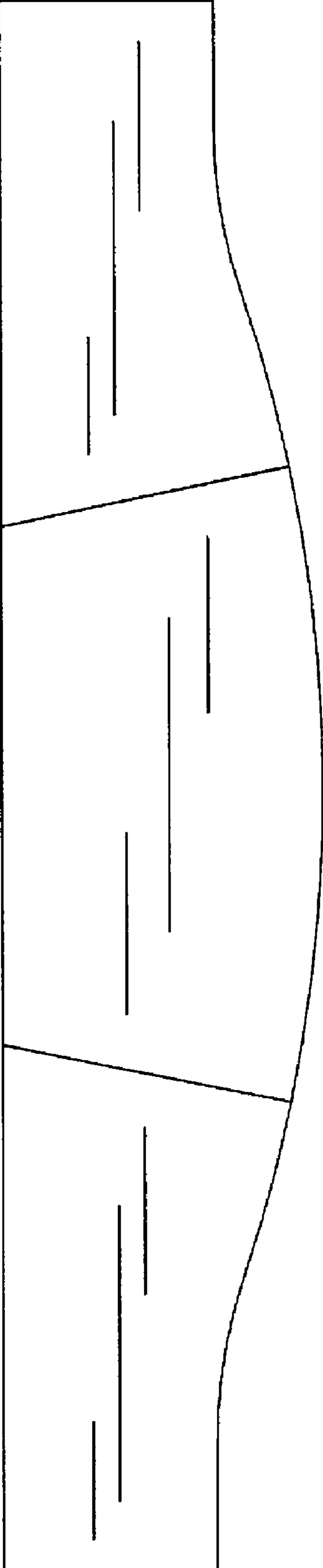


FIG. 4

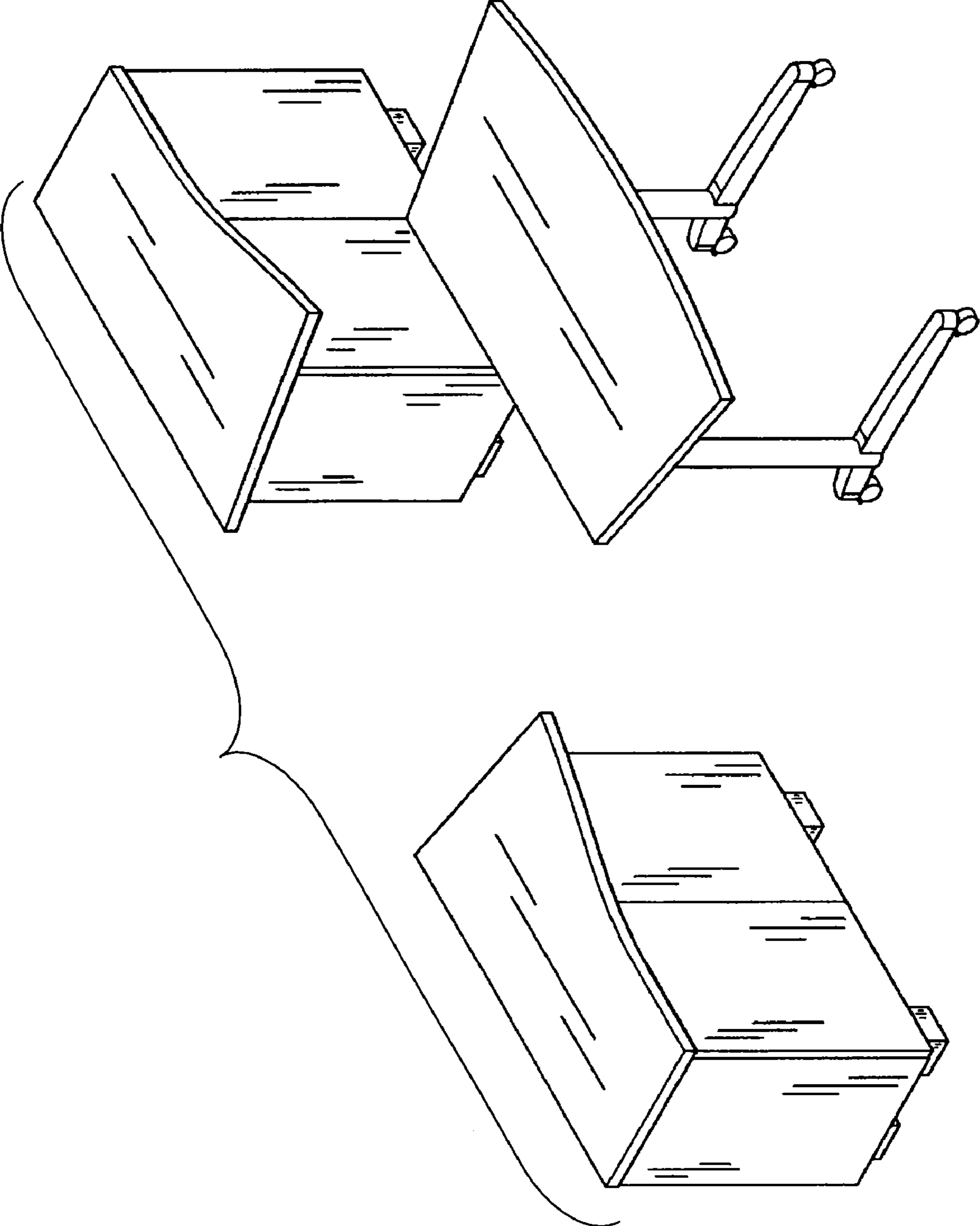


FIG. 5

**UNITED STATES PATENT AND TRADEMARK OFFICE**  
**Certificate**

Patent No. D604,529 S

Patented: November 24, 2009

On petition requesting issuance of a certificate for correction of inventorship pursuant to 35 U.S.C. 256, it has been found that the above identified patent, through error and without any deceptive intent, improperly sets forth the inventorship.

Accordingly, it is hereby certified that the correct inventorship of this patent is: Steven C. Bloch, Ramsey, MN (US); Mark A. Vogeler, Monticello, MN (US); and Michael M. Norfolk, Bloomington, MN (US).

Signed and Sealed this Seventh Day of January 2014.

CARON VEYNAR  
Supervisory Patent Examiner  
Art Unit 2913  
Technology Center 2900