



US00D604528S

(12) **United States Design Patent**
Hiatt

(10) **Patent No.:** **US D604,528 S**

(45) **Date of Patent:** **** Nov. 24, 2009**

(54) **TOMATO PLANT CAGE**

(76) **Inventor:** **Steven W. Hiatt**, 3251 County Road. 44,
Winona, MN (US) 55987

(**) **Term:** **14 Years**

(21) **Appl. No.:** **29/291,694**

(22) **Filed:** **Jun. 13, 2007**

(51) **LOC (9) Cl.** **11-02**

(52) **U.S. Cl.** **D6/405**

(58) **Field of Classification Search** D6/403-405,
D6/556; D11/143-156; D19/77, 81, 84;
D25/100; D26/9, 16, 19; D34/1-11; D99/5,
D99/19; 47/32.7, 33, 39, 41.01, 41.1, 41.11-41.15,
47/44-47, 65.5, 65.9, 66.1, 66.2, 66.6, 66.7,
47/67-71

See application file for complete search history.

(56) **References Cited**

U.S. PATENT DOCUMENTS

760,879	A *	5/1904	Kunzman	47/47
897,006	A *	8/1908	Muller	47/47
3,481,075	A *	12/1969	Dastoli et al.	47/41.01
5,423,148	A *	6/1995	Thornhill	47/47
D359,929	S *	7/1995	Thornhill	D11/143
6,349,502	B1 *	2/2002	Fernandez	47/45
6,453,606	B1 *	9/2002	Shulman et al.	47/47
7,281,352	B2 *	10/2007	Peck	47/47
2002/0029518	A1 *	3/2002	Peck	47/45
2003/0066233	A1 *	4/2003	Gunderman et al.	47/45
2004/0237393	A1 *	12/2004	Morrison	47/45

OTHER PUBLICATIONS

Traditional 54" Cage—one cage shown.
Traditional 54" Cage with Side View—two cages shown in a group.
Traditional 54" Cage—stacked groups of cages shown.

* cited by examiner

Primary Examiner—Caron Veynar
Assistant Examiner—Garth Rademaker
(74) *Attorney, Agent, or Firm*—Merchant & Gould P.C.

(57) **CLAIM**

The ornamental design for a tomato plant cage, as shown and described.

DESCRIPTION

FIG. 1 is a perspective view of a tomato plant cage, showing my new design.

FIG. 2 is a front elevation view thereof, the rear, left side, and right side elevation views being identical thereto;

FIG. 3 is a second perspective view thereof;

FIG. 4 is a perspective view of a second embodiment thereof, consisting of two (2) tomato plant cages, each of which is identical to the tomato plant cage shown in FIGS. 1-3;

FIG. 5 is a front elevation view of a third embodiment thereof, consisting of twelve (12) tomato plant cages, each of which is identical to the tomato plant cage shown in FIGS. 1-3; and,

FIG. 6 is a front elevation view of a fourth embodiment thereof, consisting of ninety-six (96) tomato plant cages, each of which is identical to the tomato plant cage shown in FIGS. 1-3.

1 Claim, 6 Drawing Sheets

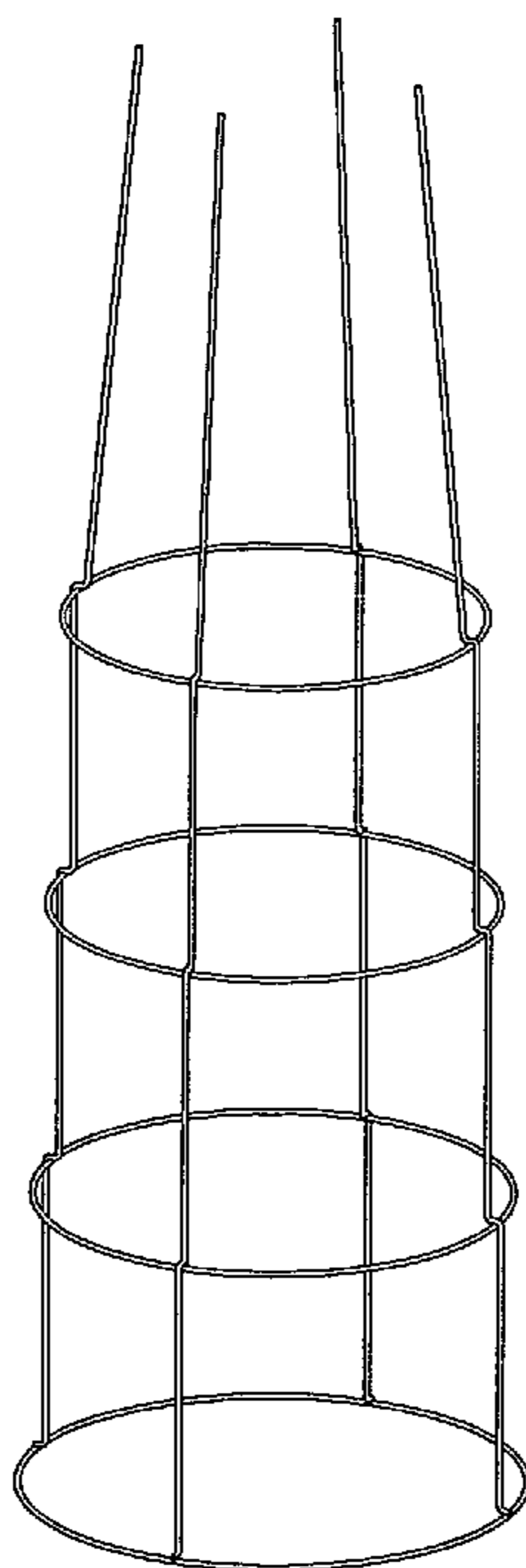


FIGURE 1

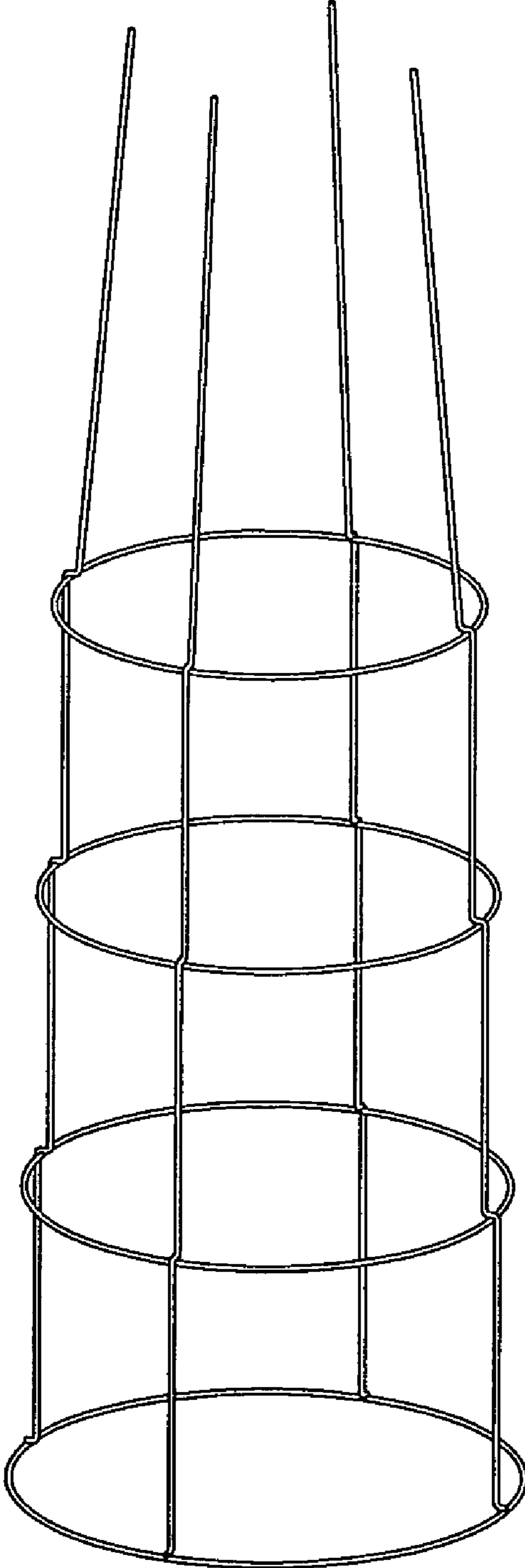


FIGURE 2

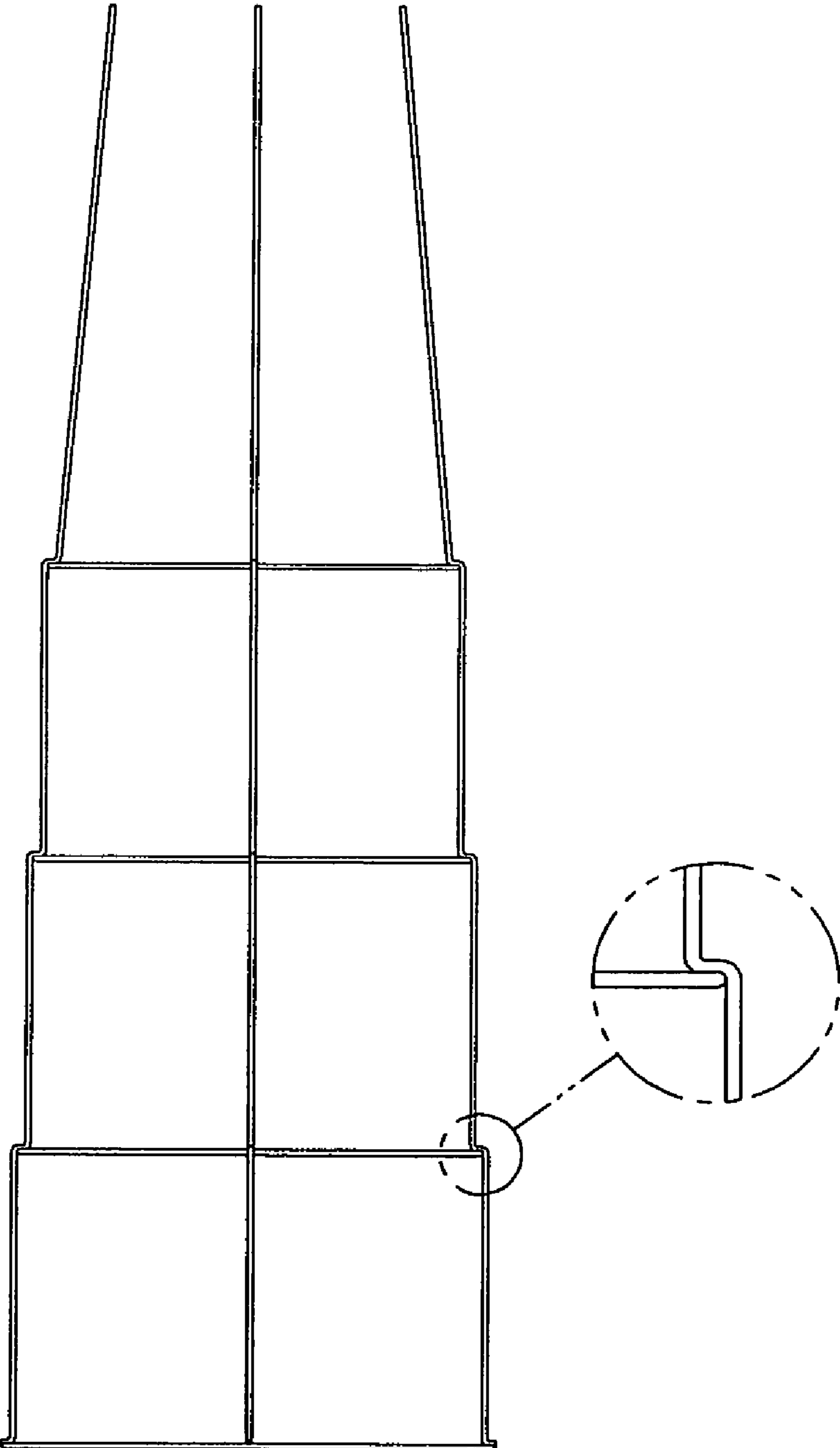


FIGURE 3

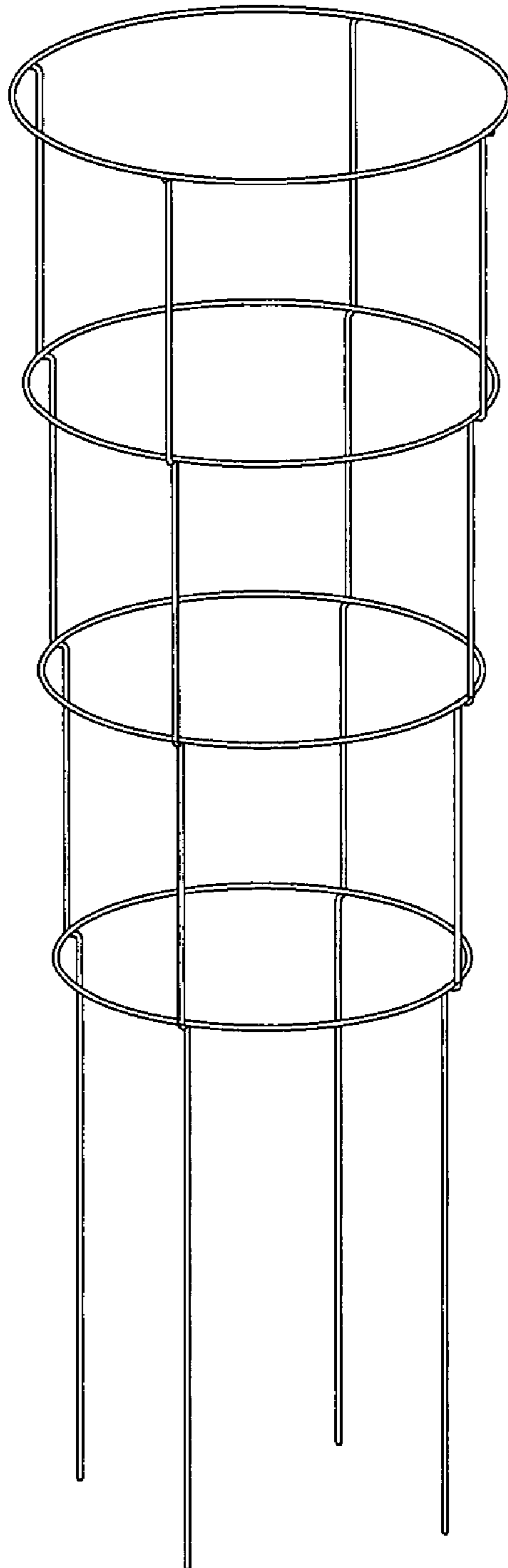


FIGURE 4

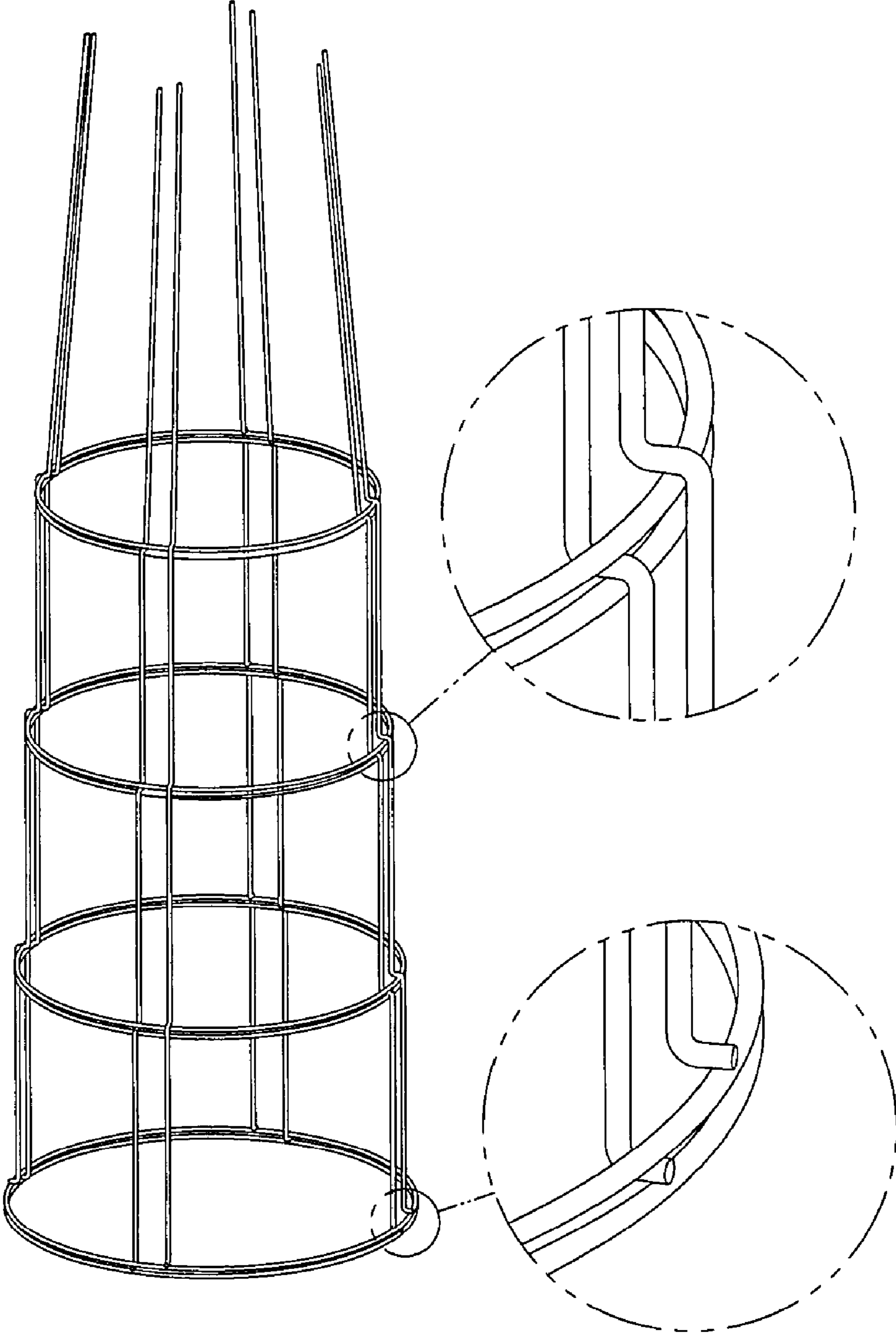


FIGURE 5

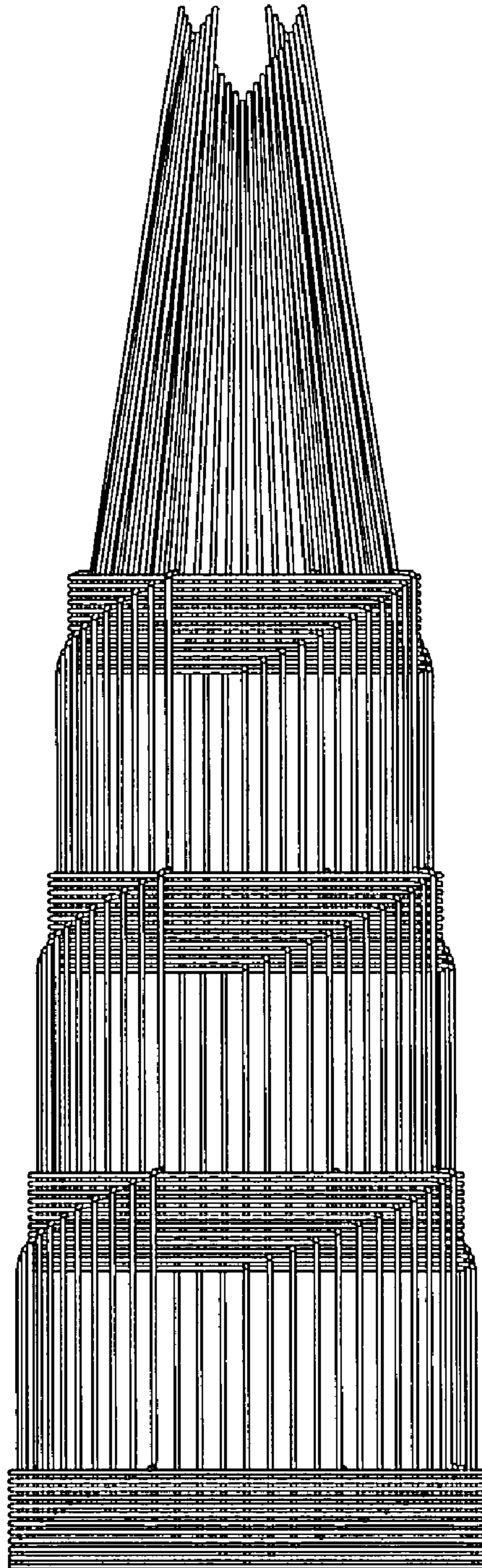


FIGURE 6

