



US00D604526S

(12) **United States Design Patent**
Lee

(10) **Patent No.:** **US D604,526 S**
(45) **Date of Patent:** **** Nov. 24, 2009**

(54) **CHAIR**

(75) Inventor: **Steve Lee**, Park Ridge, IL (US)

(73) Assignee: **LumiSource, Inc.**, Elk Grove Village, IL (US)

(**) Term: **14 Years**

(21) Appl. No.: **29/292,634**

(22) Filed: **Oct. 22, 2007**

(51) **LOC (9) Cl.** **06-01**

(52) **U.S. Cl.** **D6/366**

(58) **Field of Classification Search** D6/334-336,
D6/360-369, 370-375, 379-381, 498, 500-502;
29/91.1; 108/156; 297/3, 68, 284.4, 344.19,
297/423.1, 423.19, 440.13, 452.12, 452.17,
297/452.21, 452.29, 452.3, 452.56, 452.64
See application file for complete search history.

(56) **References Cited**

U.S. PATENT DOCUMENTS

D196,720 S * 10/1963 Johnson D6/366
D549,475 S * 8/2007 Su D6/366

OTHER PUBLICATIONS

Co-pending U.S. Appl. No. 29/266,944, filed Sep. 29, 2006.
Co-pending U.S. Appl. No. 29/292,633, filed Oct. 22, 2007.

Co-pending U.S. Appl. No. 29/292,631, filed Oct. 22, 2007.
Co-pending U.S. Appl. No. 29/293,892, filed Dec. 13, 2007.

* cited by examiner

Primary Examiner—Caron Veynar

Assistant Examiner—Ricky Pham

(74) *Attorney, Agent, or Firm*—Pauley Petersen & Erickson

(57) **CLAIM**

The ornamental design for a chair, as shown.

DESCRIPTION

FIG. 1 is a front perspective view of a chair showing my new design;

FIG. 2 is a front view thereof;

FIG. 3 is a rear view thereof;

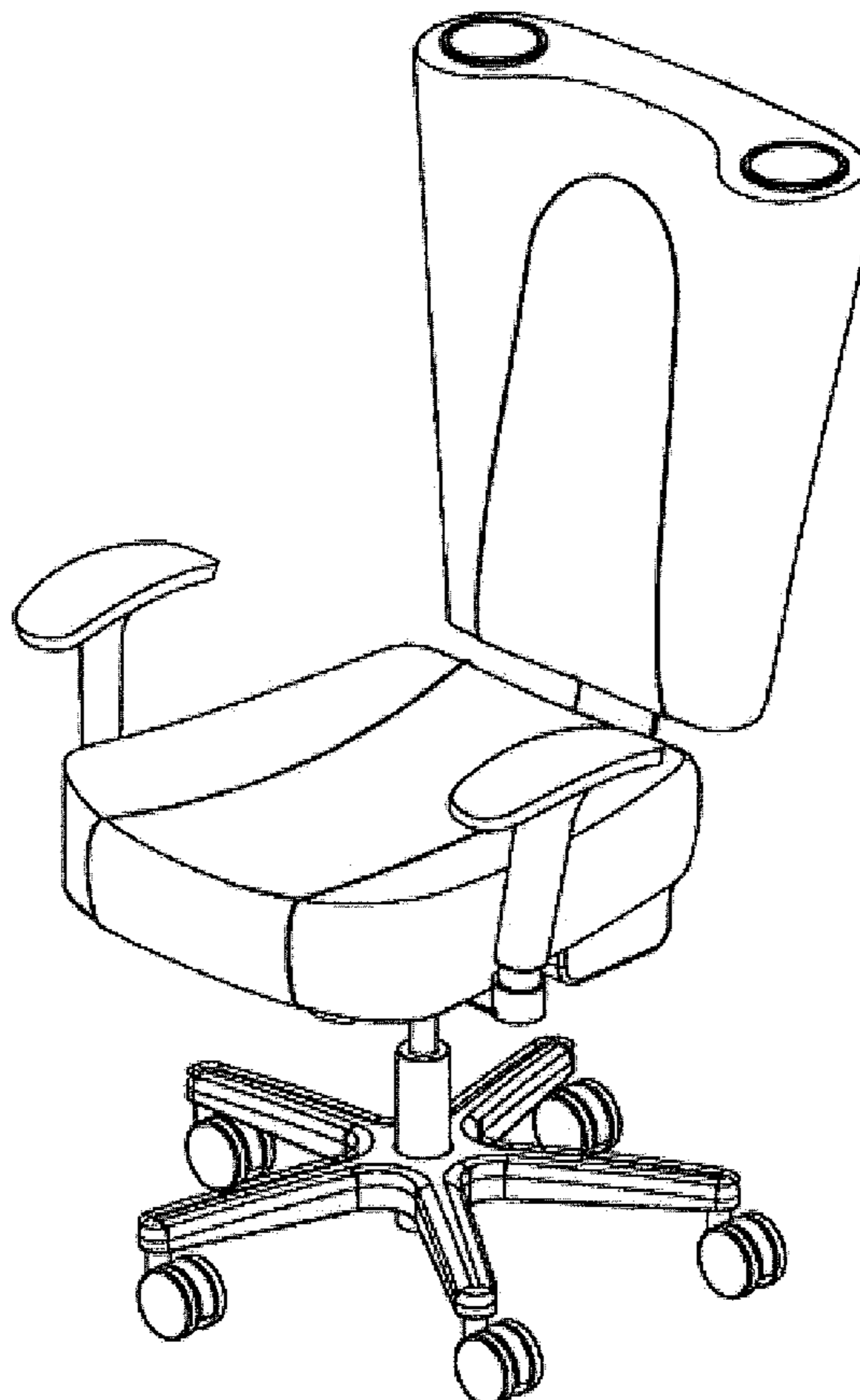
FIG. 4 is a side view thereof;

FIG. 5 is an opposite side view thereof;

FIG. 6 is a top view thereof; and,

FIG. 7 is a bottom view thereof.

1 Claim, 4 Drawing Sheets



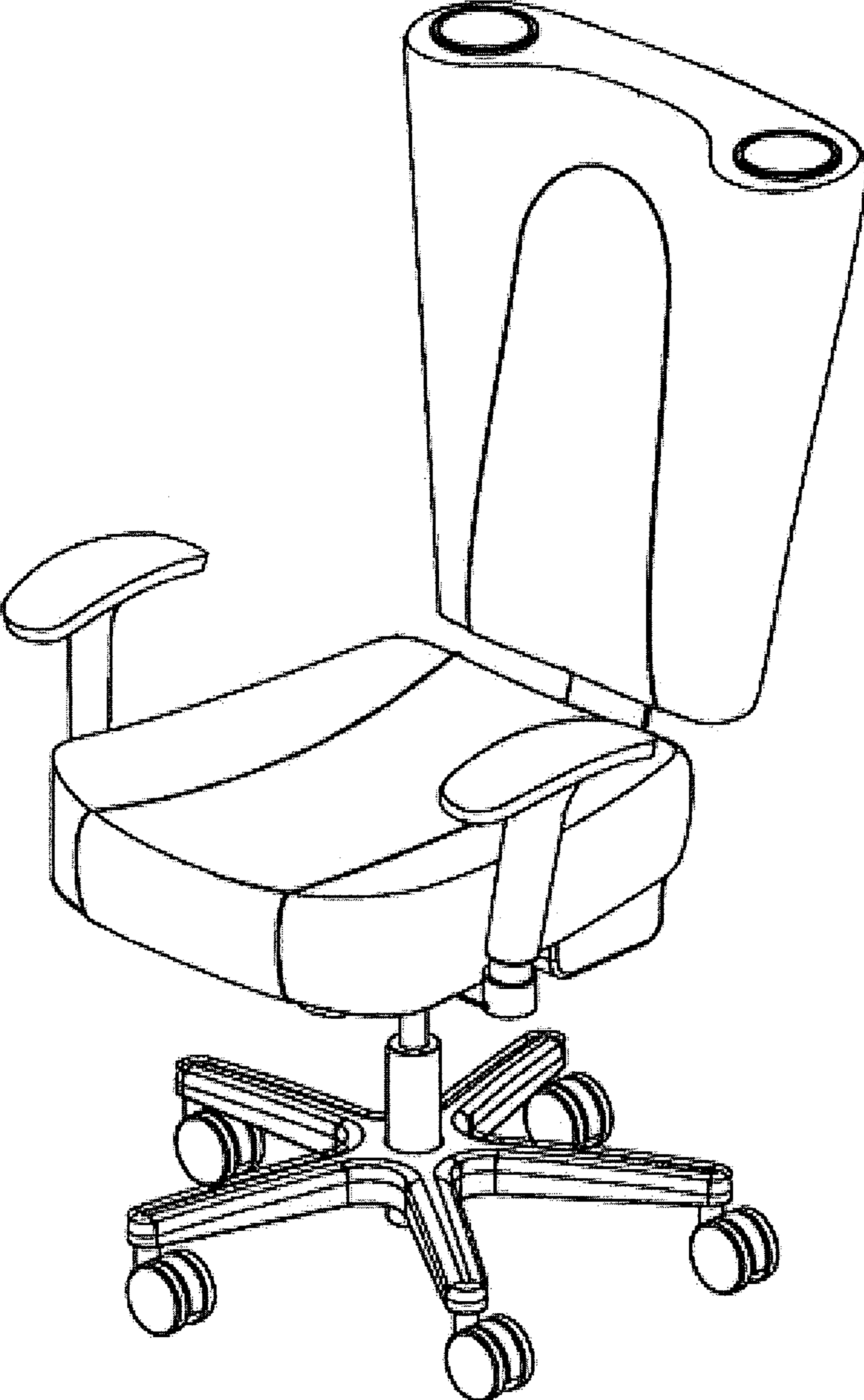


Fig. 1

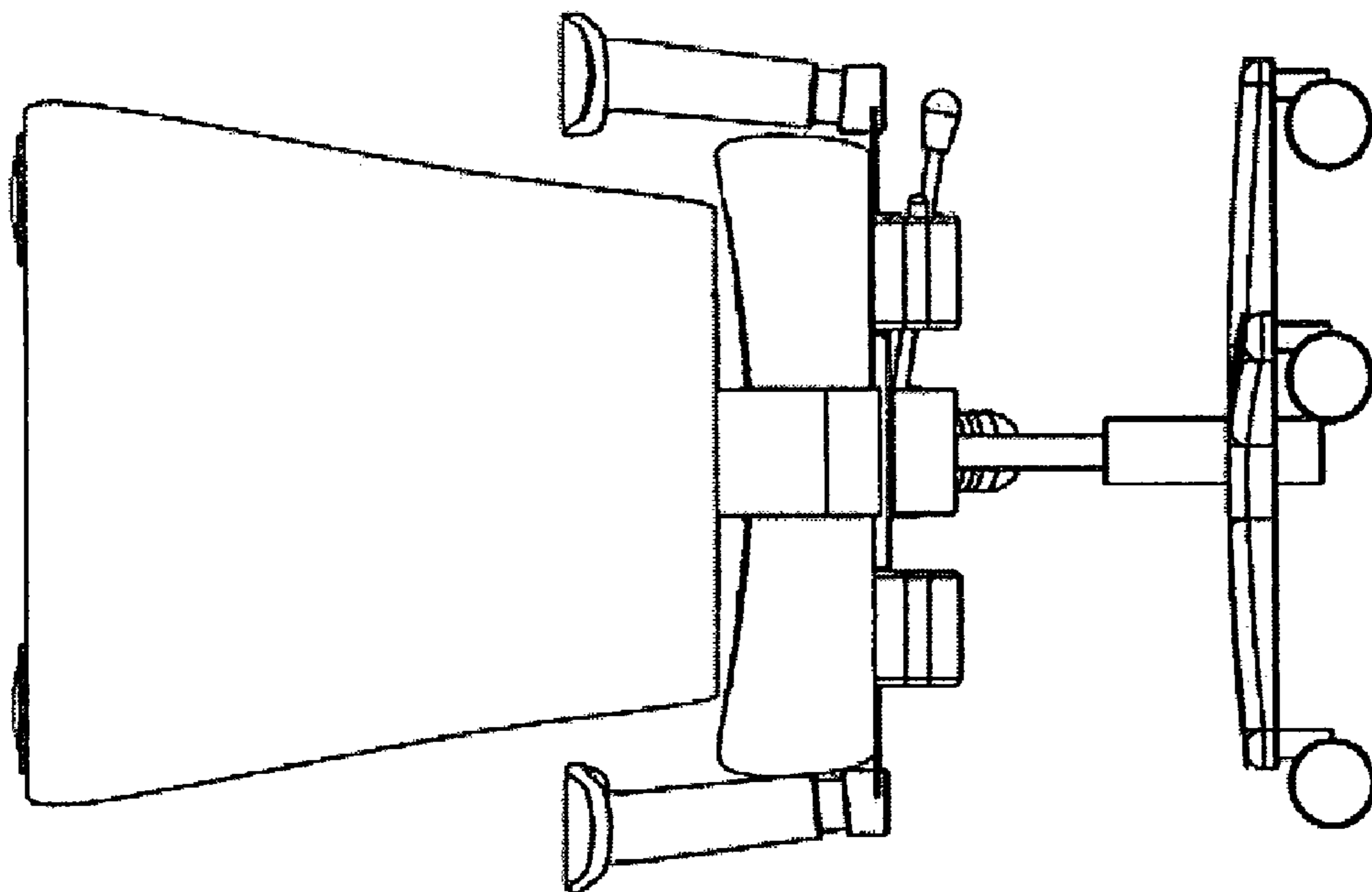


Fig. 3

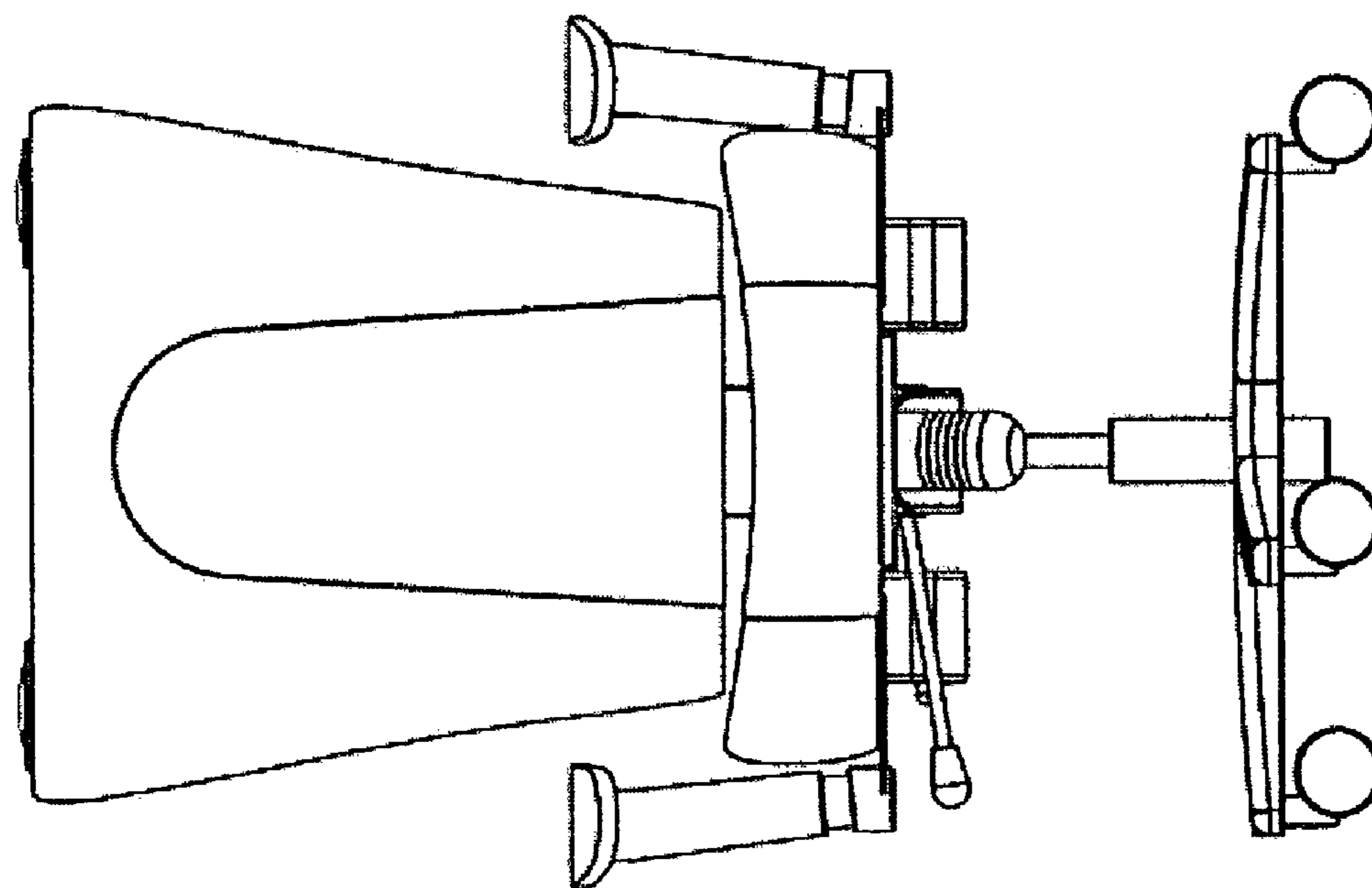


Fig. 2

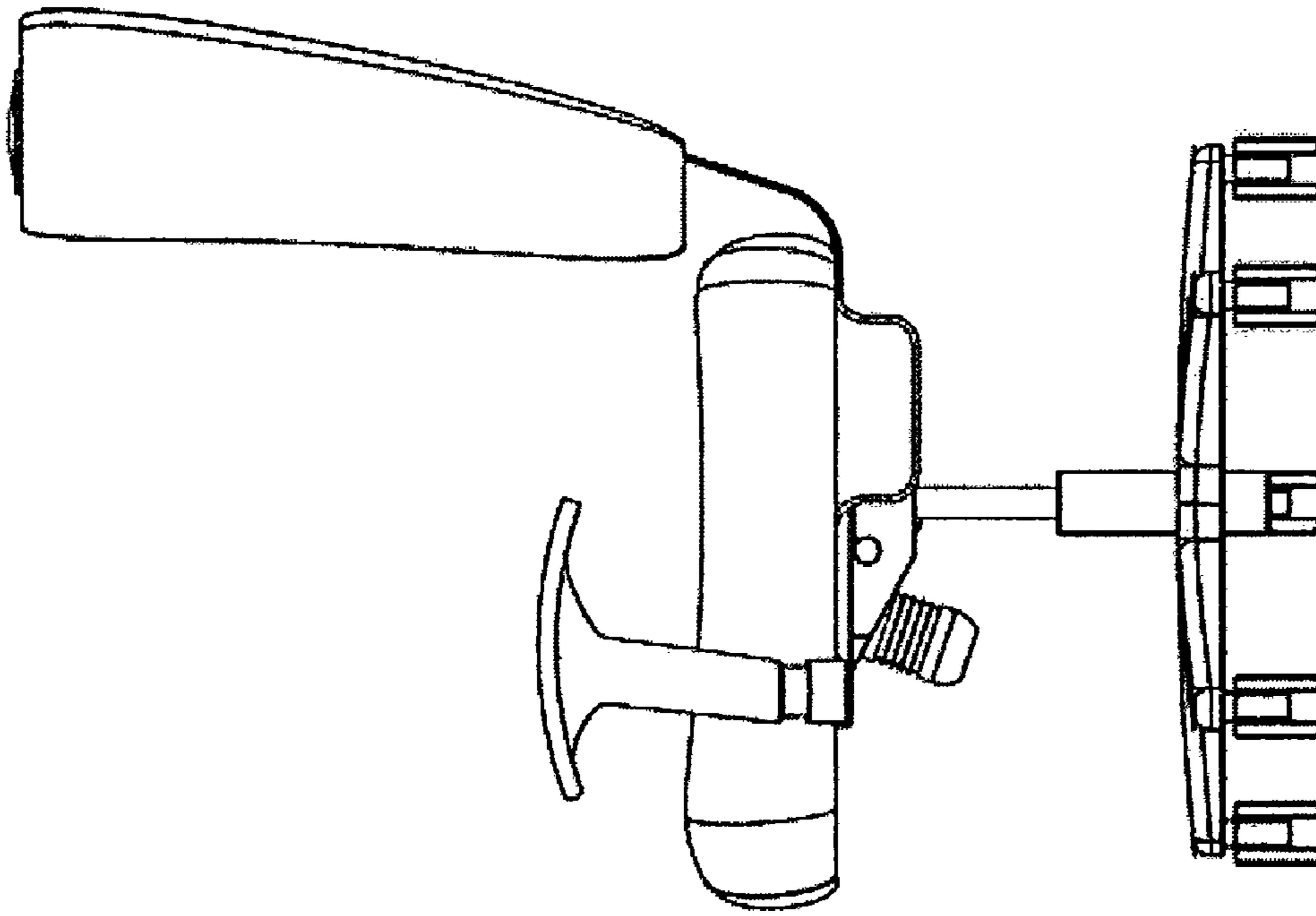


Fig. 5

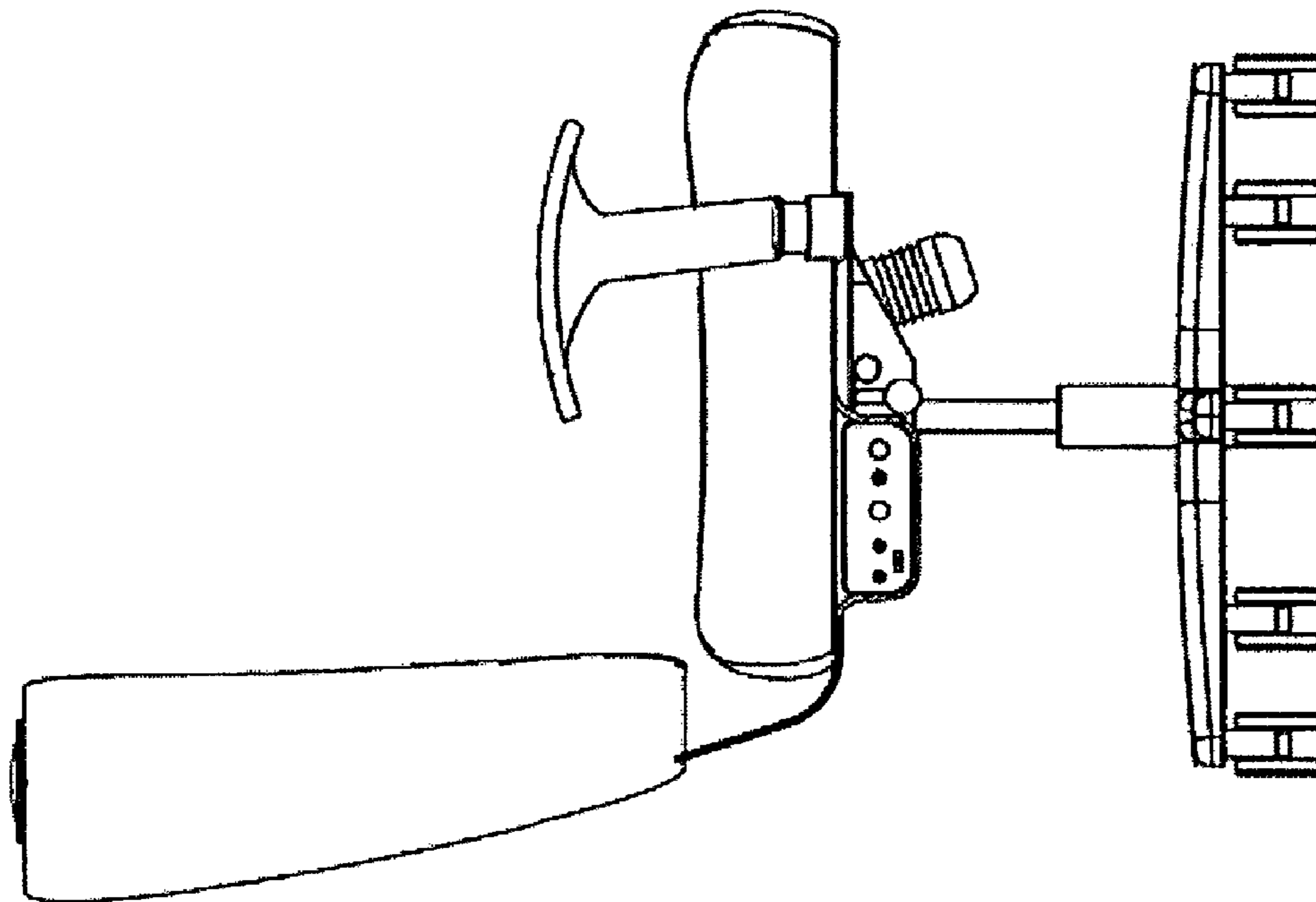


Fig. 4

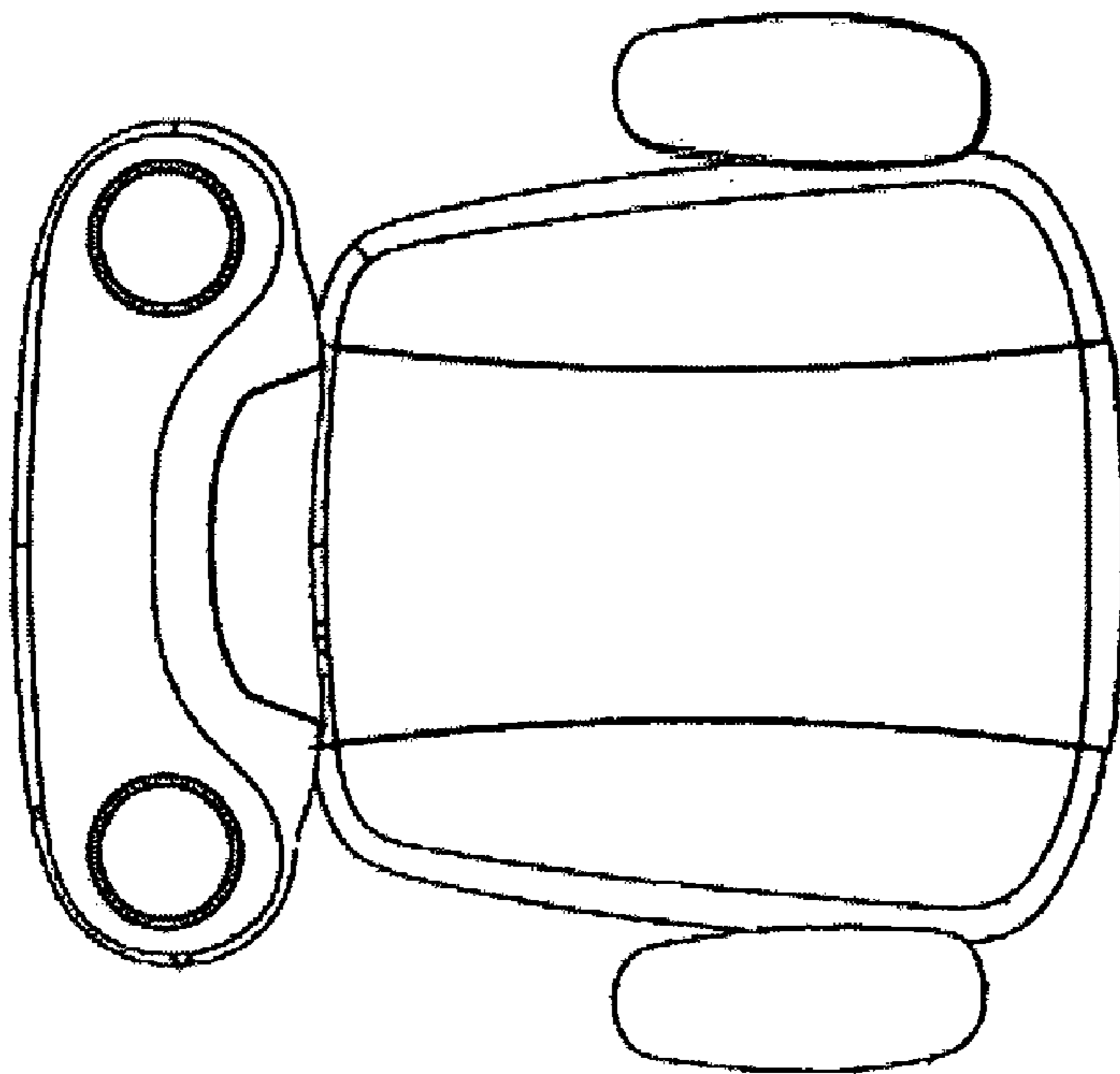


Fig. 6

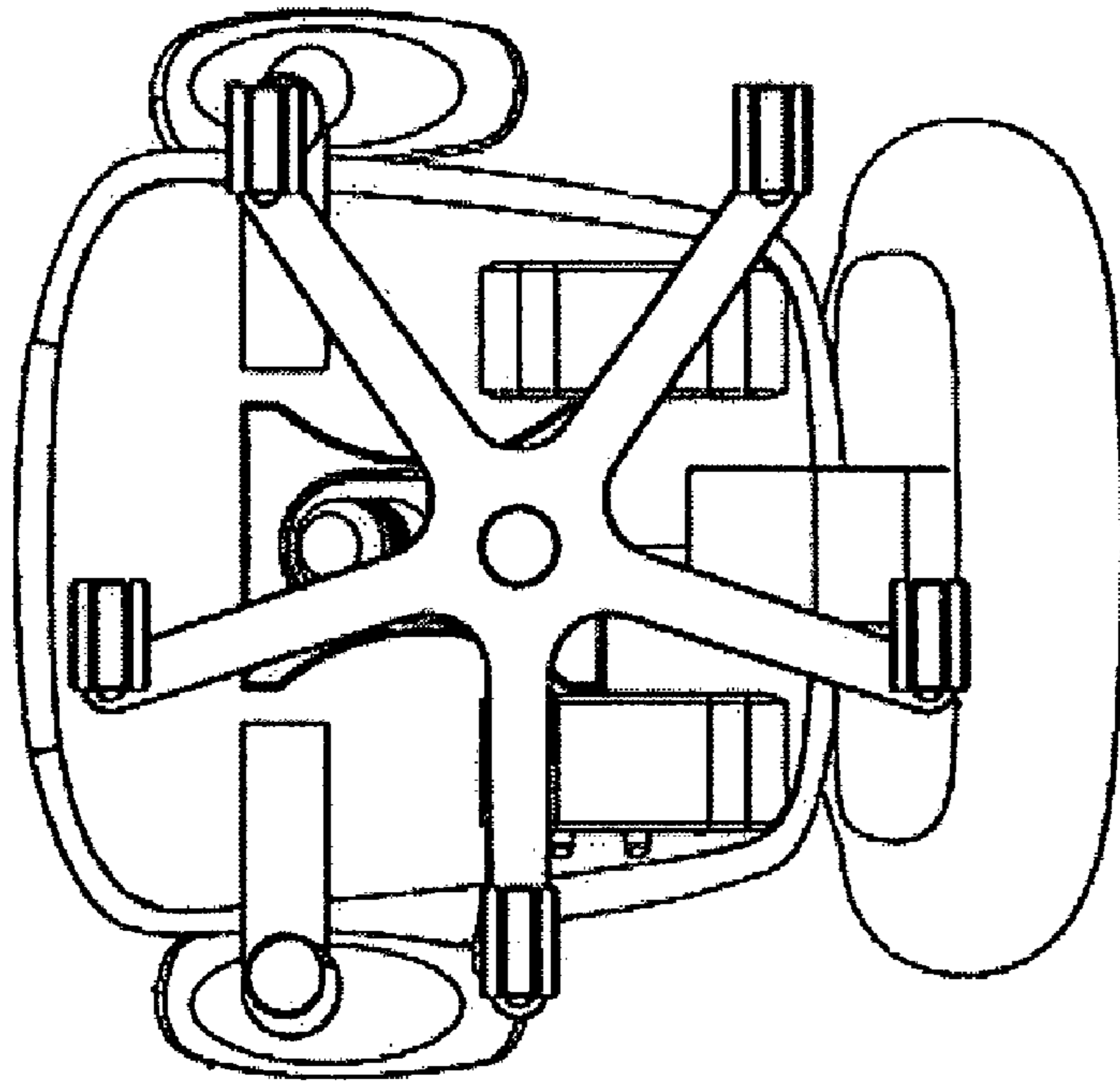


Fig. 7