



US00D604525S

(12) **United States Design Patent**
Marlow

(10) **Patent No.:** **US D604,525 S**

(45) **Date of Patent:** **** Nov. 24, 2009**

(54) **MOTORCYCLE SEAT BACKREST**

7,077,470 B1 * 7/2006 Strother 297/215.12

(76) Inventor: **Timothy Marlow**, 6800 Brookwood Ct.,
Douglasville, GA (US) 30135

(**) Term: **14 Years**

(21) Appl. No.: **29/313,337**

(22) Filed: **Dec. 29, 2008**

(51) **LOC (9) Cl.** **12-11**

(52) **U.S. Cl.** **D6/354**

(58) **Field of Classification Search** D6/354,
D6/502; D12/110, 119, 222, 223; 297/195.1,
297/215.11, 215.12, 283.3, 452.48, 219.11,
297/195.12, 463.1, 353, 452.32, 452.55;
280/202, 288.4, 304.4, 748, 751, 756; 180/219,
180/220; D8/349, 353, 354; 248/174, 200,
248/219.4, 300

See application file for complete search history.

(56) **References Cited**

U.S. PATENT DOCUMENTS

4,012,158 A * 3/1977 Harper 403/107
4,186,937 A * 2/1980 Schultz 280/304.4
4,570,998 A * 2/1986 Hughes 297/353
5,441,330 A * 8/1995 Rojas 297/383
D371,529 S * 7/1996 Potter D12/114
D512,228 S * 12/2005 Ino et al. D6/354

OTHER PUBLICATIONS

J & P Cycles 2001 Keeping the World on 2 Wheels® catalog, sissy bars, sissy bar pads, and accessories on p. 47, and Mustang® Driver Backrest on p. 57.*

* cited by examiner

Primary Examiner—Robin V Webster

Assistant Examiner—Linda G. Brooks

(74) *Attorney, Agent, or Firm*—Rodgers & Rodgers

(57) **CLAIM**

The ornamental design for a motorcycle seat backrest, as shown and described.

DESCRIPTION

FIG. 1 is a perspective view of a motorcycle seat backrest showing my new design;

FIG. 2 is a rear elevational view thereof, the front being a mirror image thereof;

FIG. 3 is a top plan view thereof;

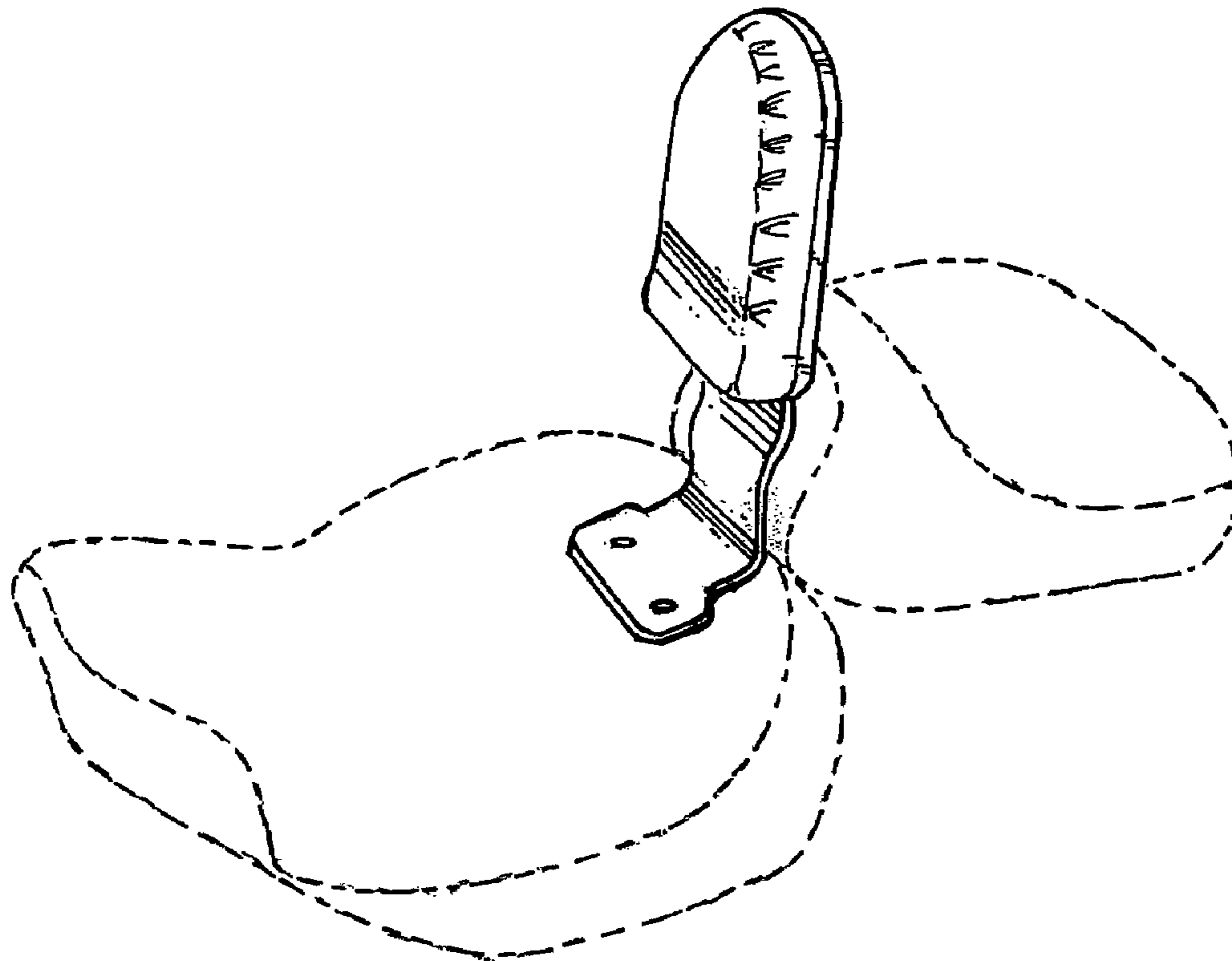
FIG. 4 is a bottom plan view thereof;

FIG. 5 is a left-side elevational view thereof; and,

FIG. 6 is right-side elevational view thereof.

The broken lines are included for the purpose of illustrating environment and form no part of the claimed design.

1 Claim, 2 Drawing Sheets



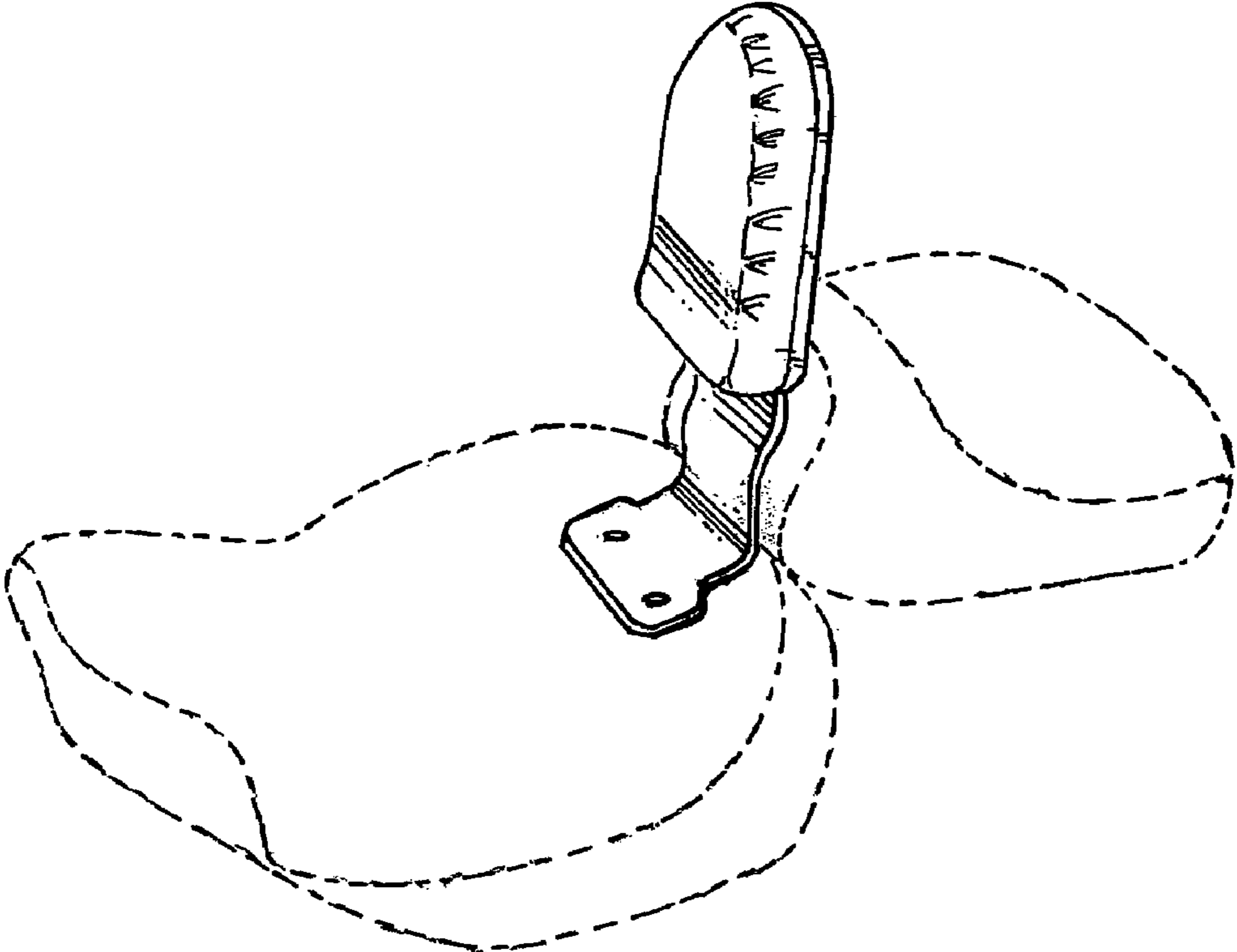


FIG. 1

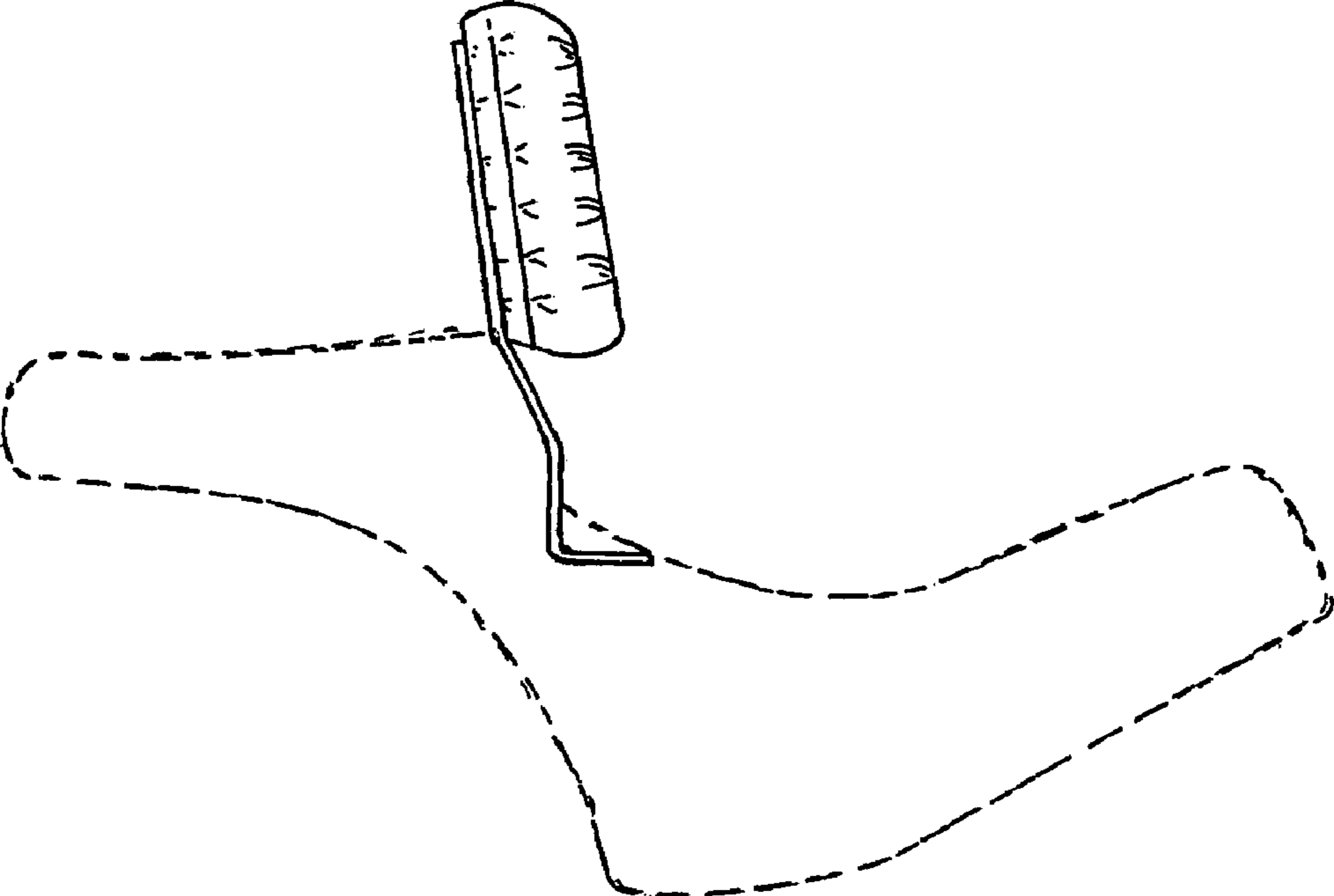


FIG. 2

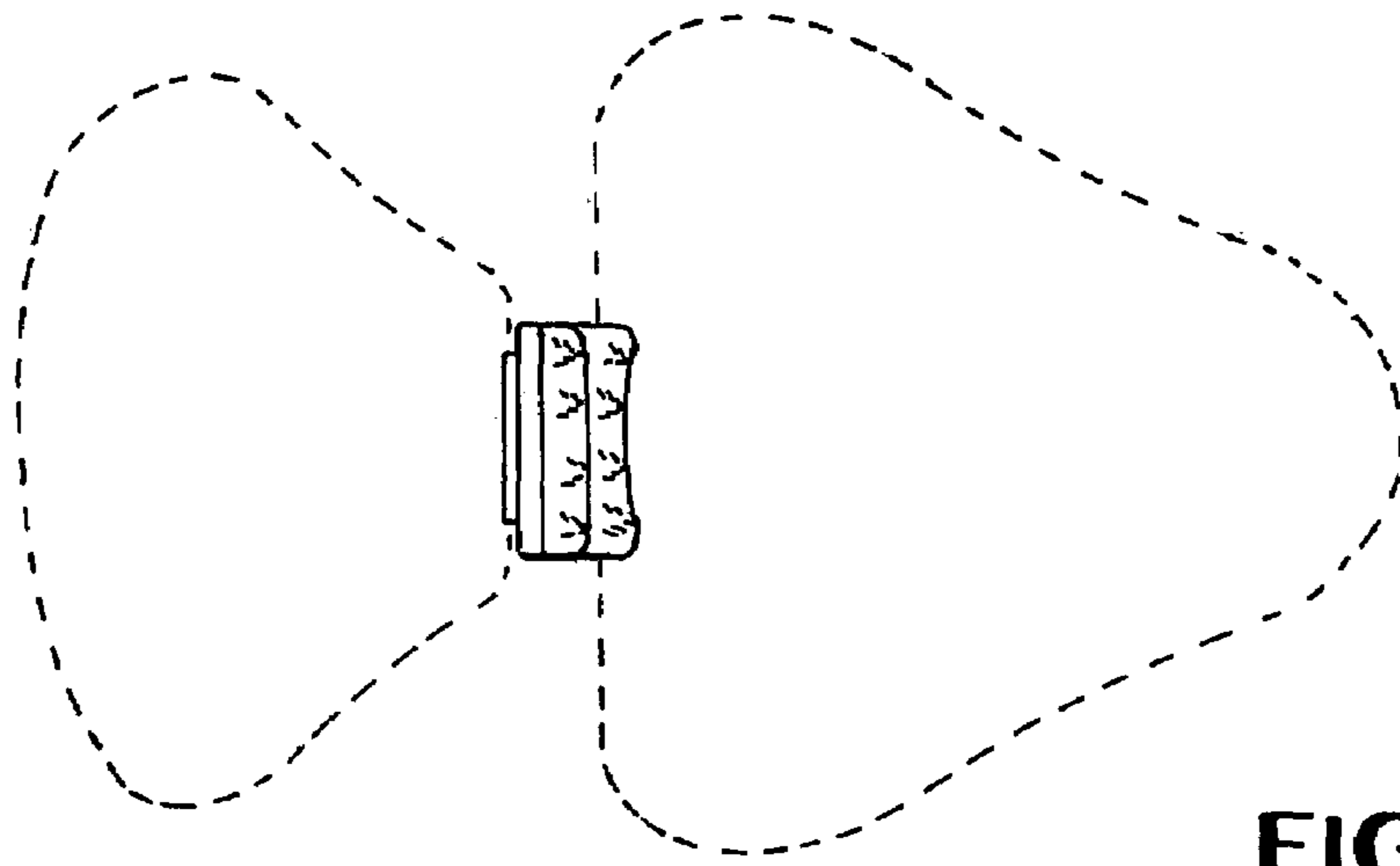


FIG. 3

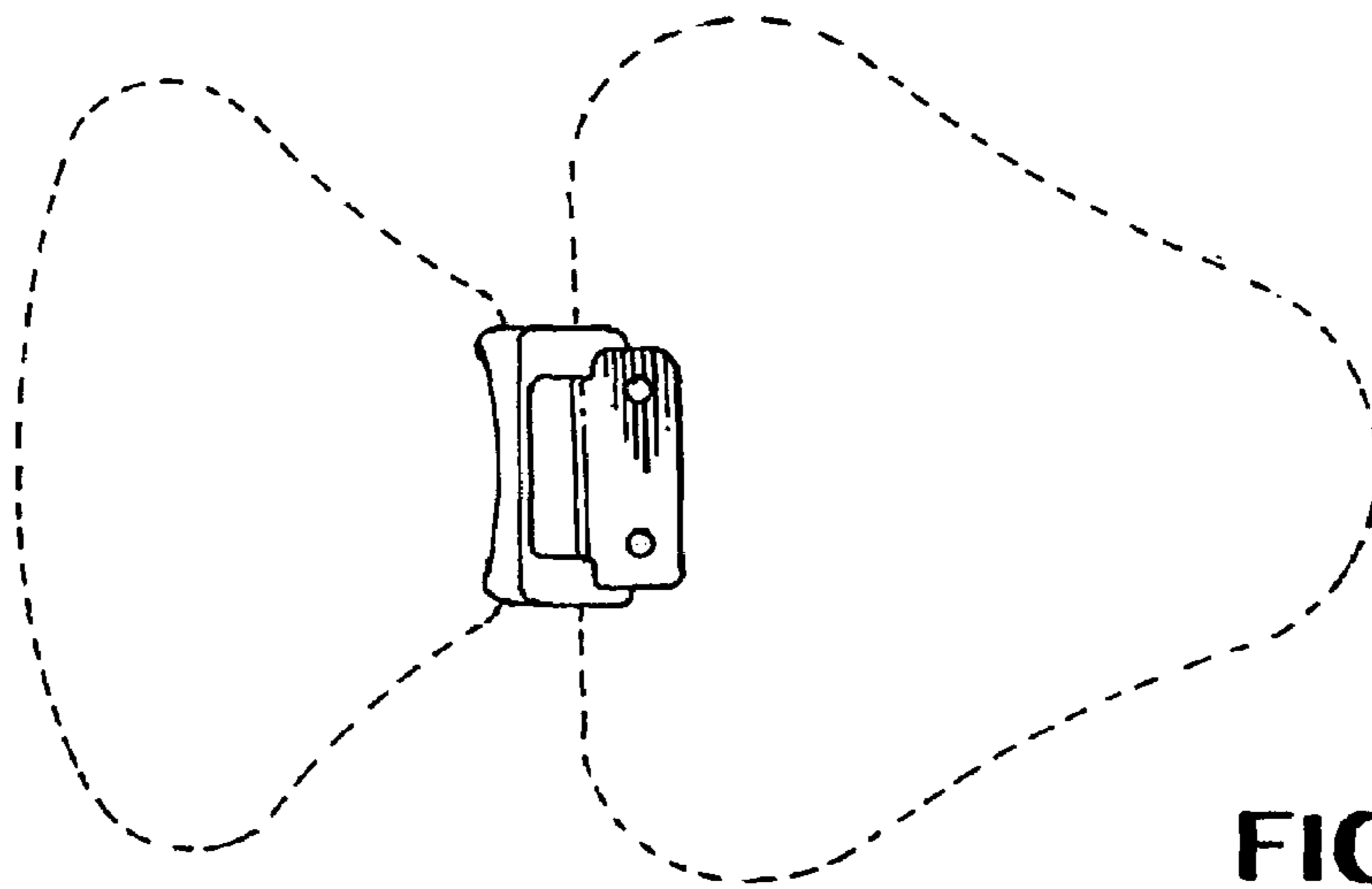


FIG. 4

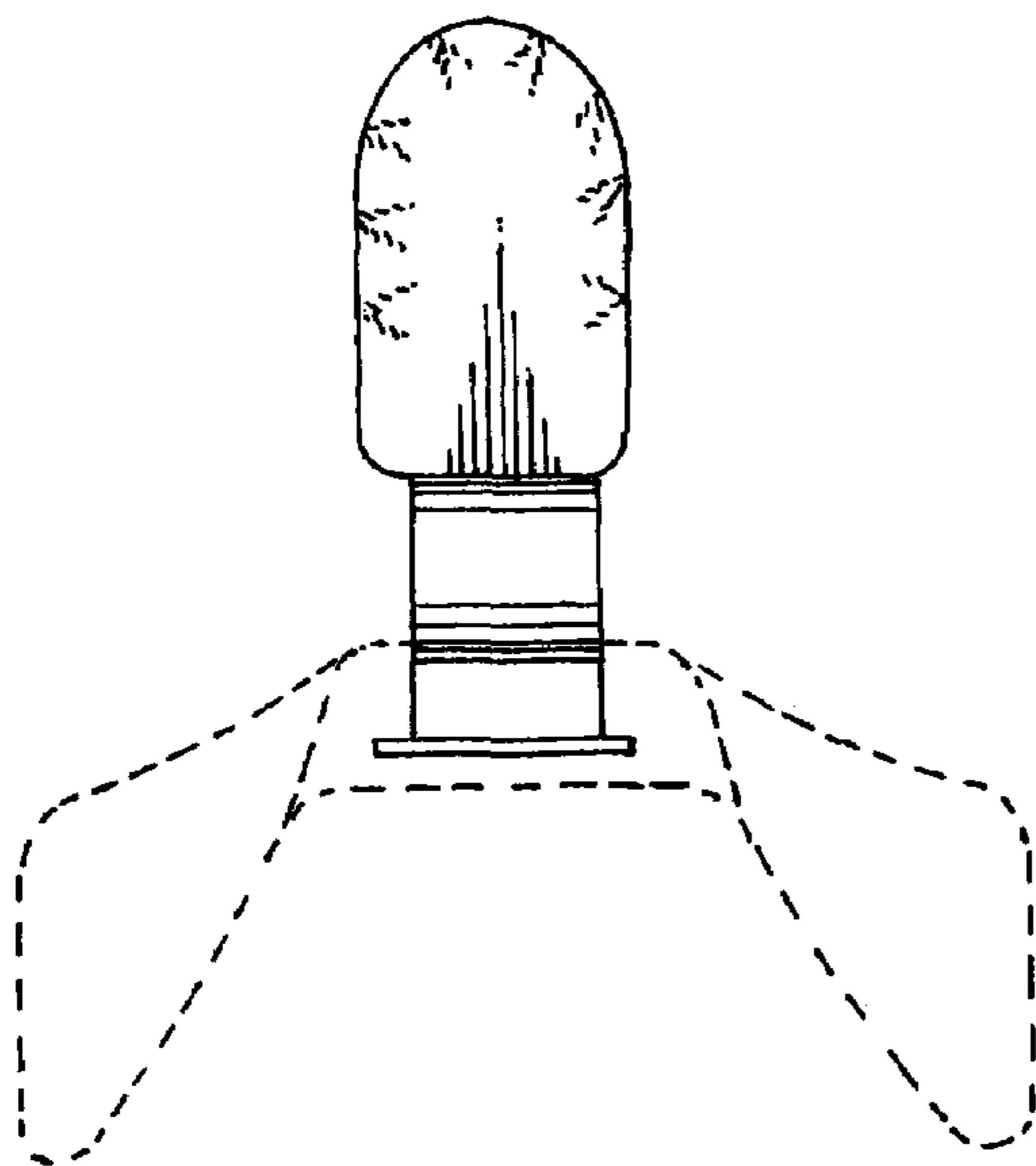


FIG. 5

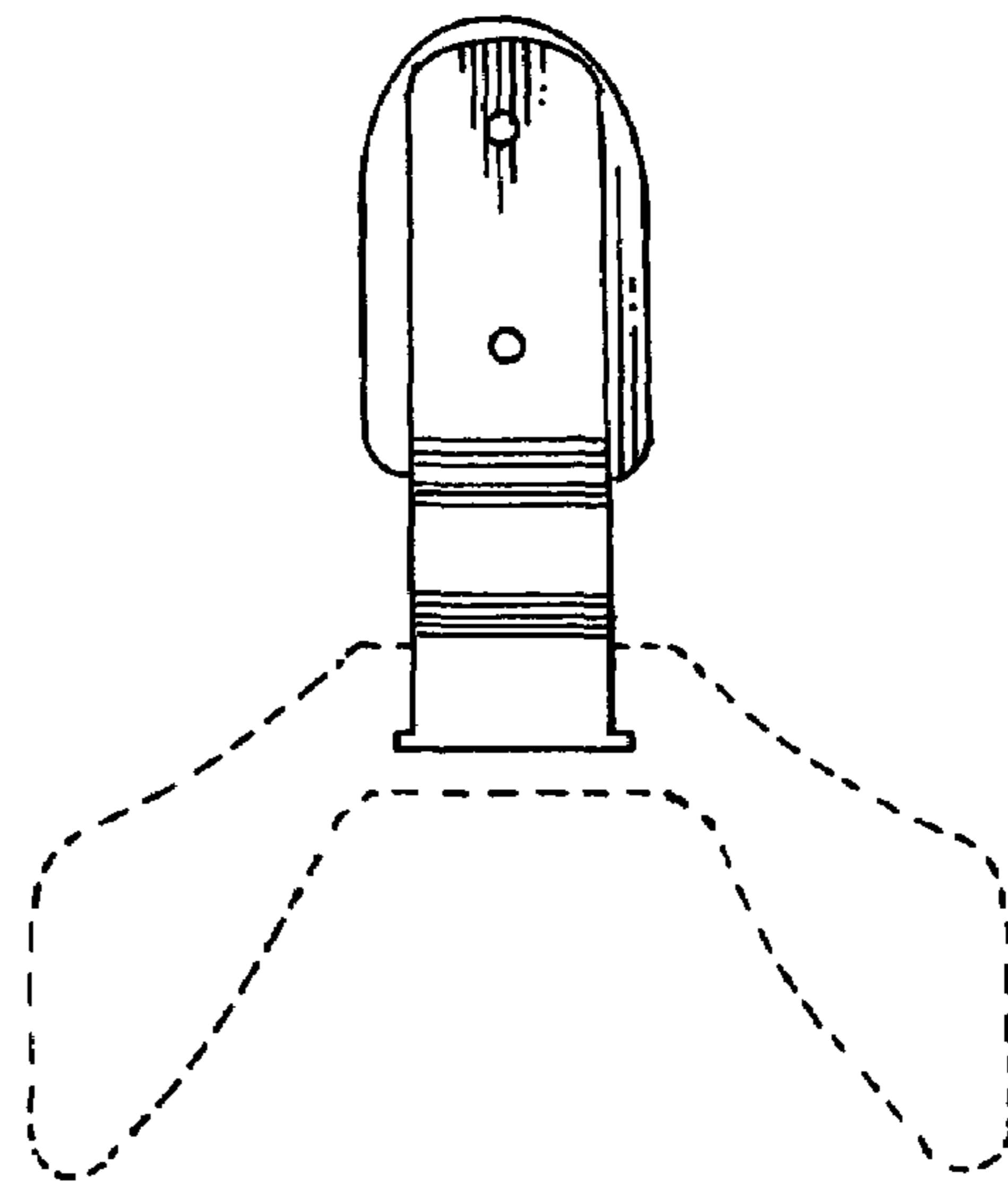


FIG. 6