



US00D604519S

(12) **United States Design Patent**
Beckley et al.

(10) **Patent No.:** **US D604,519 S**
(45) **Date of Patent:** **** Nov. 24, 2009**

(54) **CHAIR**

(75) Inventors: **Anthony P. Beckley**, Stratford (CA);
Cesar Fernandes, Cambridge (CA)

(73) Assignee: **Steelcase Inc.**, Grand Rapids, MI (US)

(**) Term: **14 Years**

(21) Appl. No.: **29/280,572**

(22) Filed: **May 31, 2007**

(51) **LOC (9) Cl.** **06-01**

(52) **U.S. Cl.** **D6/334**

(58) **Field of Classification Search** D6/334,
D6/341, 371, 372, 373, 374, 375, 381, 491,
D6/492, 500, 501, 502; 297/232, 233, 239,
297/300.1, 311, 353, 445.1, 446.1, 448.1,
297/448.2, 452.11, DIG. 7, DIG. 8; 5/12.1,
5/12.2

See application file for complete search history.

(56) **References Cited**

U.S. PATENT DOCUMENTS

D269,232 S * 6/1983 Benveniste D6/379
D335,587 S * 5/1993 Backer D6/379
D358,041 S * 5/1995 Watts D6/379

(Continued)

OTHER PUBLICATIONS

Gentry Brochure, Steelcase, 1999.
Andante Brochure, Brandrud, 2002.

Primary Examiner—Sandra Snapp
(74) *Attorney, Agent, or Firm*—Quarles & Brady, LLP

(57) **CLAIM**

The ornamental design for a chair, as shown and described.

DESCRIPTION

FIG. 1 is a top, front, left perspective view of a chair embodying my new design;

FIG. 2 is a left side elevational view thereof, the right side elevational view being a mirror image thereof;

FIG. 3 is a front elevational view thereof;

FIG. 4 is a rear elevational view thereof;

FIG. 5 is a top plan view thereof;

FIG. 6 is a bottom view thereof;

FIG. 7 is a top, left, perspective view of a second embodiment of a chair embodying my new design;

FIG. 8 is a left side elevational view thereof, the right side elevational view being a mirror image thereof;

FIG. 9 is a front elevational view thereof;

FIG. 10 is a rear elevational view thereof;

FIG. 11 is a top plan view thereof;

FIG. 12 is a bottom view thereof;

FIG. 13 is a top, front, left perspective view of a third embodiment of a chair embodying my new design;

FIG. 14 is a left side elevational view thereof, the right side elevational view being a mirror image thereof;

FIG. 15 is a front elevational view thereof;

FIG. 16 is a rear elevational view thereof;

FIG. 17 is a top plan view thereof;

FIG. 18 is a bottom view thereof;

FIG. 19 is a top, front, left perspective view of a fourth embodiment of a chair embodying my new design;

FIG. 20 is a left side elevational view thereof, the right side elevational view being a mirror image thereof;

FIG. 21 is a front elevational view thereof;

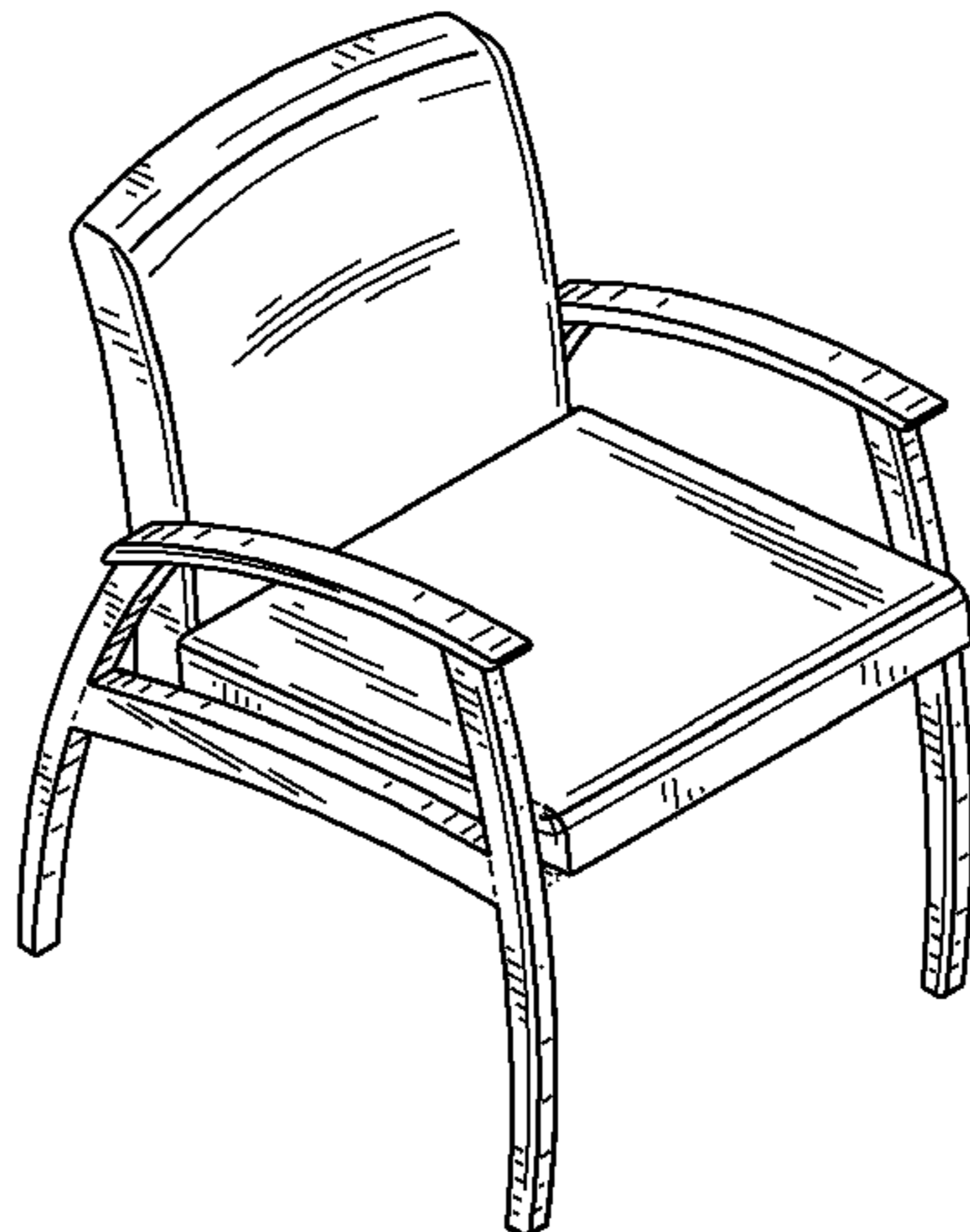
FIG. 22 is a rear elevational view thereof;

FIG. 23 is a top plan view thereof; and,

FIG. 24 is a bottom view thereof.

The broken line representations of chair structure in FIGS. 3, 6, 9, 12, 15, 18, 21 and 24 are for the purposes of illustration only, and form no part of the claimed design. The broken away portions shown in FIGS. 13–18, 19 and 21–24 represent indeterminate width of the claimed design.

1 Claim, 14 Drawing Sheets



US D604,519 S

Page 2

U.S. PATENT DOCUMENTS

D358,503 S *	5/1995	Ginat	D6/379	D485,083 S *	1/2004	Frinier	D6/379
D364,743 S *	12/1995	Lewis	D6/334	D496,172 S *	9/2004	Pluer	D6/376
D409,408 S *	5/1999	James et al.	D6/379	D497,491 S *	10/2004	Pluer	D6/376
D409,851 S *	5/1999	Hutton	D6/379	D502,332 S *	3/2005	Pluer	D6/376
D410,802 S *	6/1999	Olson	D6/379	D520,256 S *	5/2006	King	D6/374
D413,028 S *	8/1999	Kaiser	D6/373	D525,799 S *	8/2006	Lowsky	D6/370
D442,792 S	5/2001	Martin		D542,046 S *	5/2007	Pesso	D6/379
D444,956 S	7/2001	Martin		D543,373 S *	5/2007	Schweikarth et al.	D6/379
D446,958 S *	8/2001	Olson	D6/379	D549,979 S *	9/2007	Kane et al.	D6/374
D454,715 S *	3/2002	Olson	D6/379	D551,459 S *	9/2007	Zagler	D6/379
D458,469 S *	6/2002	Schweikarth et al.	D6/379	D571,119 S *	6/2008	Leonetti et al.	D6/379
D465,347 S *	11/2002	Bell	D6/376	D572,492 S *	7/2008	Mainville	D6/334
D473,061 S *	4/2003	Goodman	D6/379	D572,935 S *	7/2008	Sargent	D6/379
D482,541 S *	11/2003	Pluer	D6/375	D577,218 S *	9/2008	Kreiss	D6/379
D482,542 S *	11/2003	Pluer	D6/375				

* cited by examiner

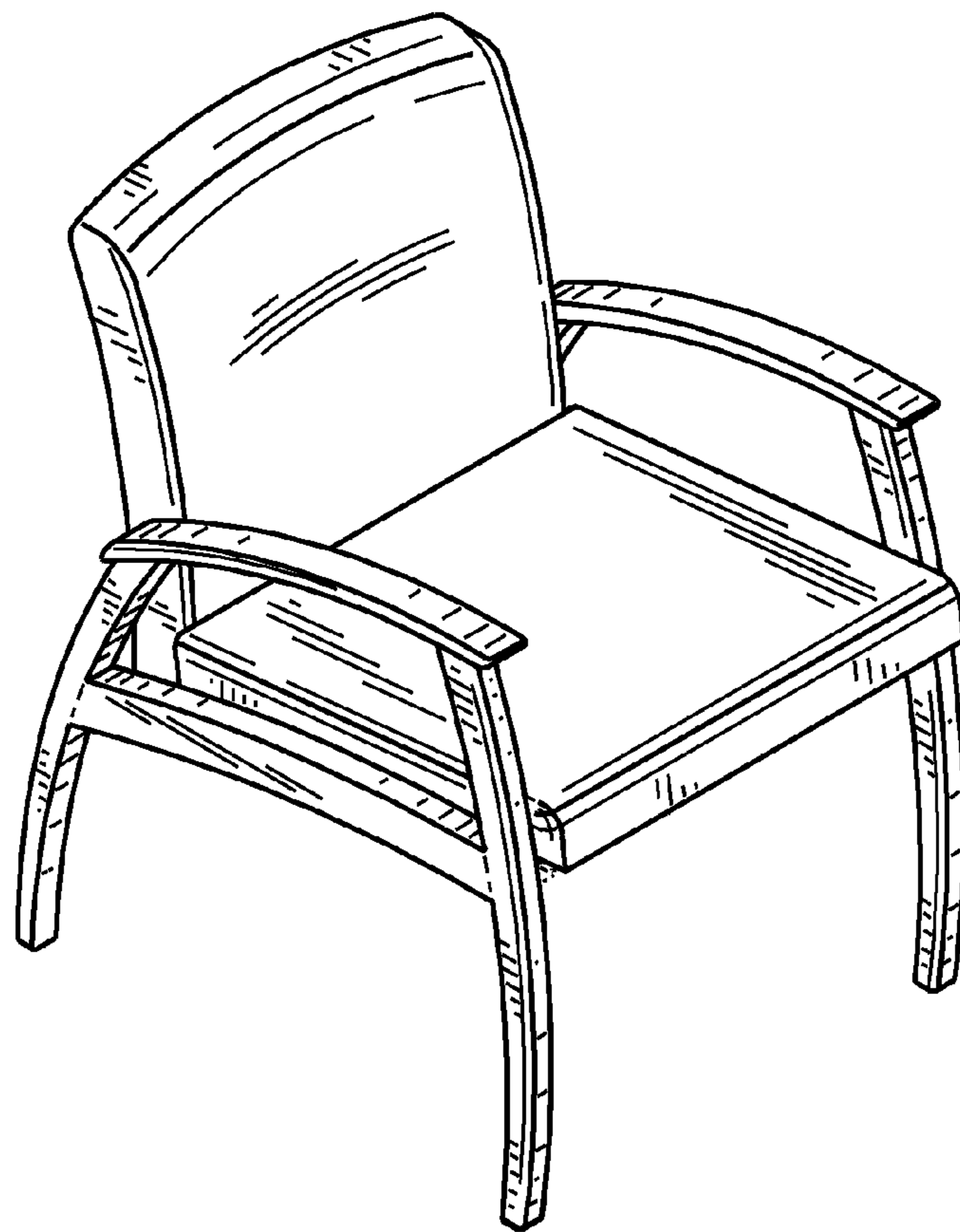


FIG. 1

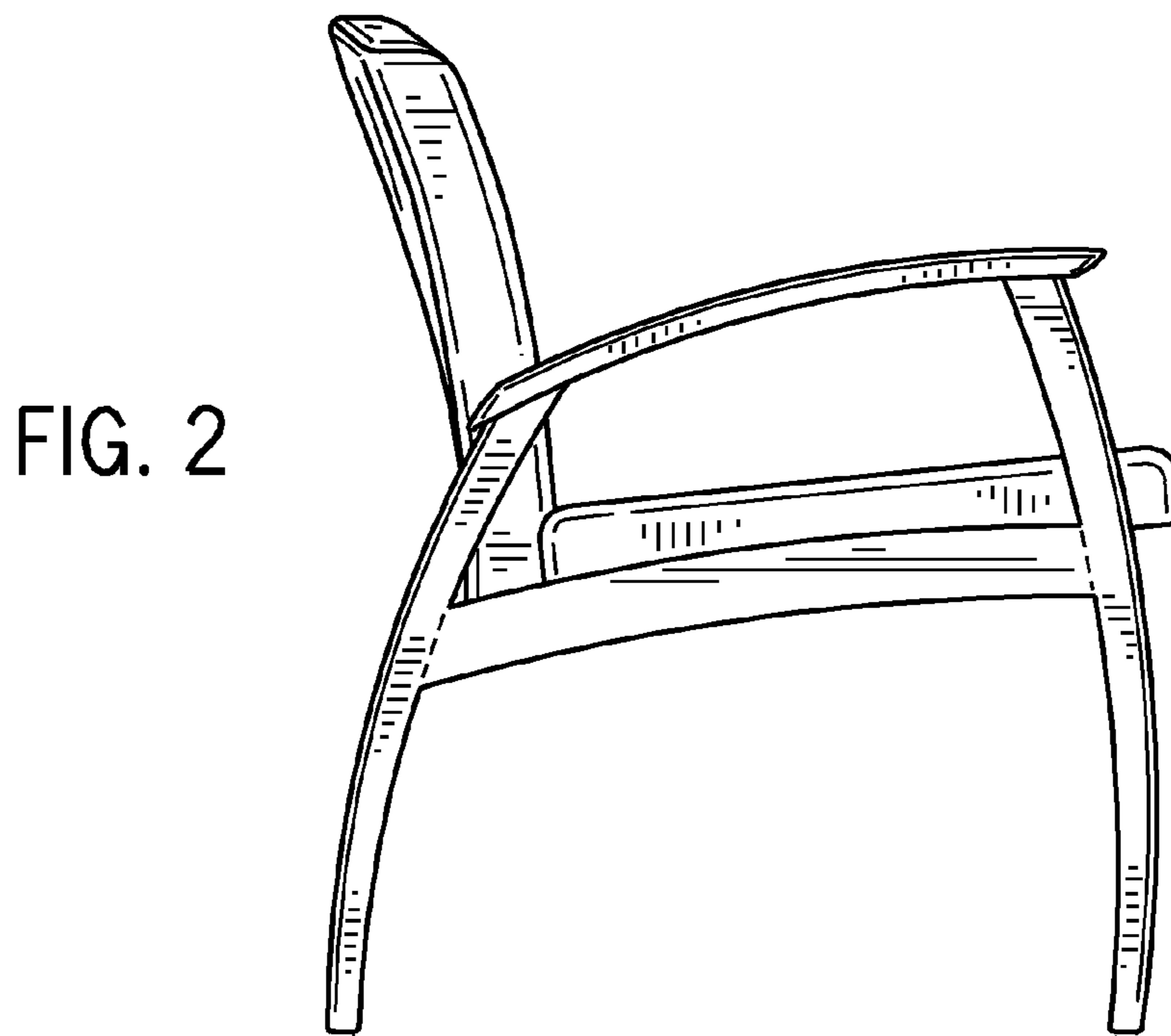


FIG. 2

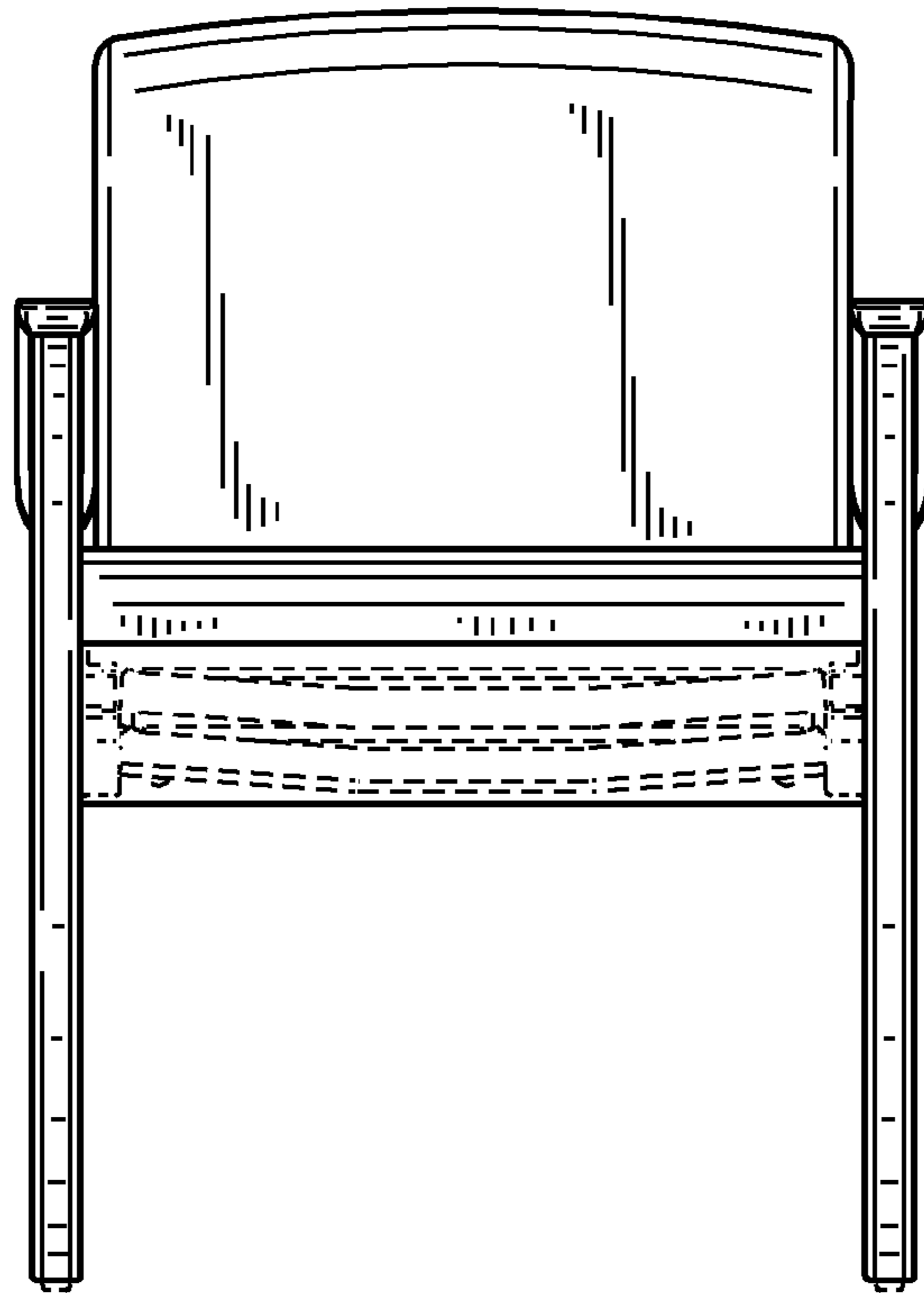


FIG. 3

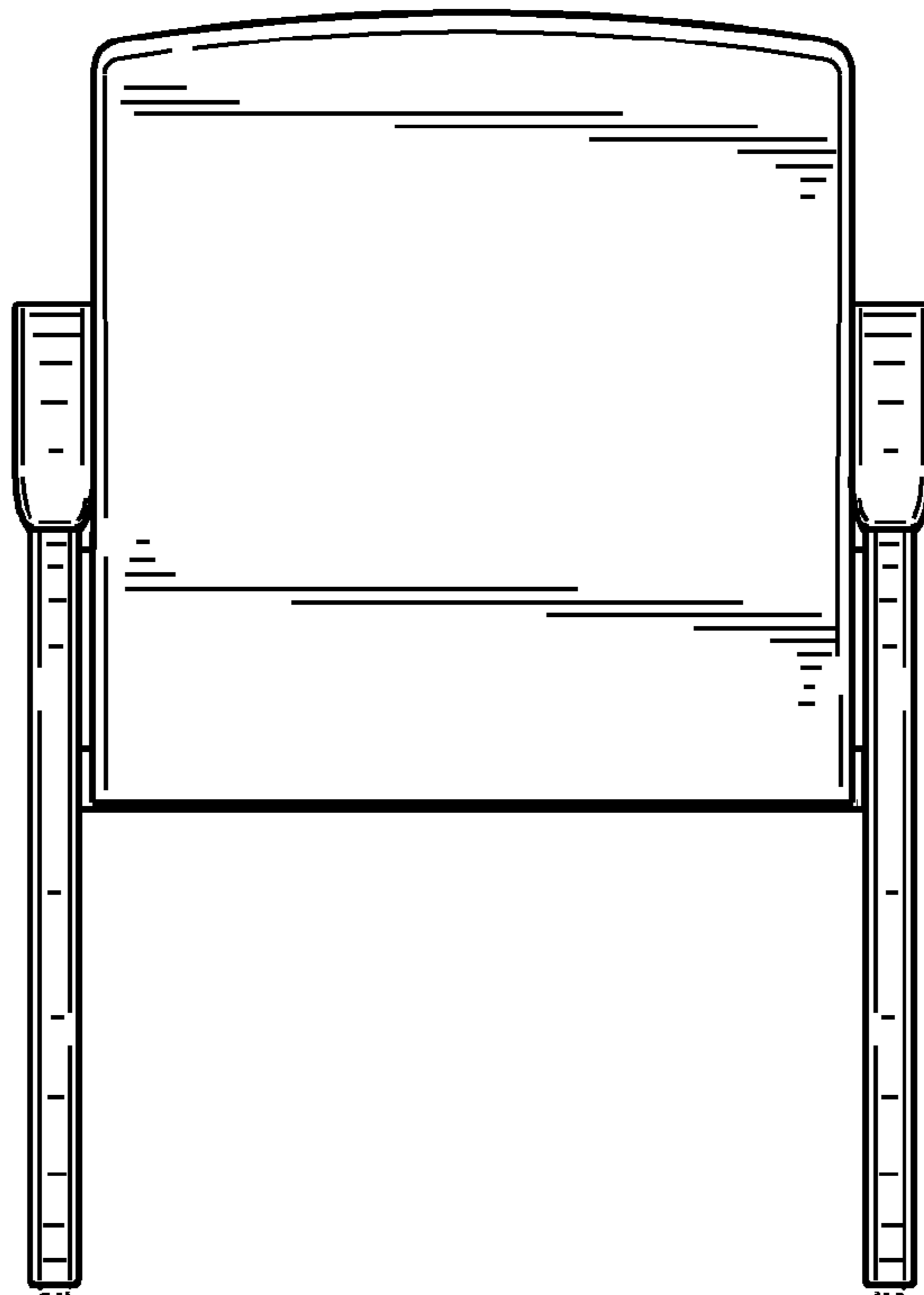


FIG. 4

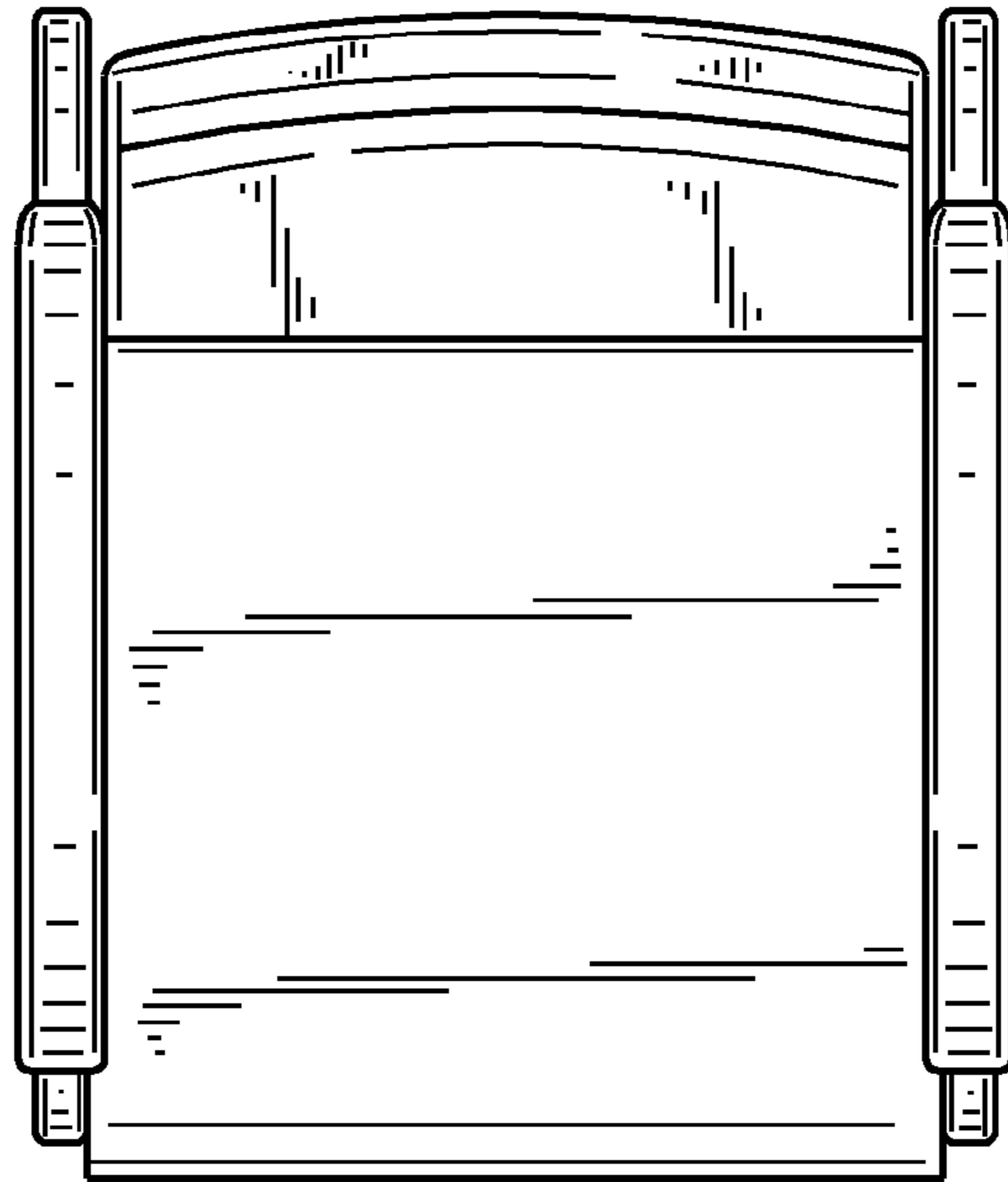


FIG. 5

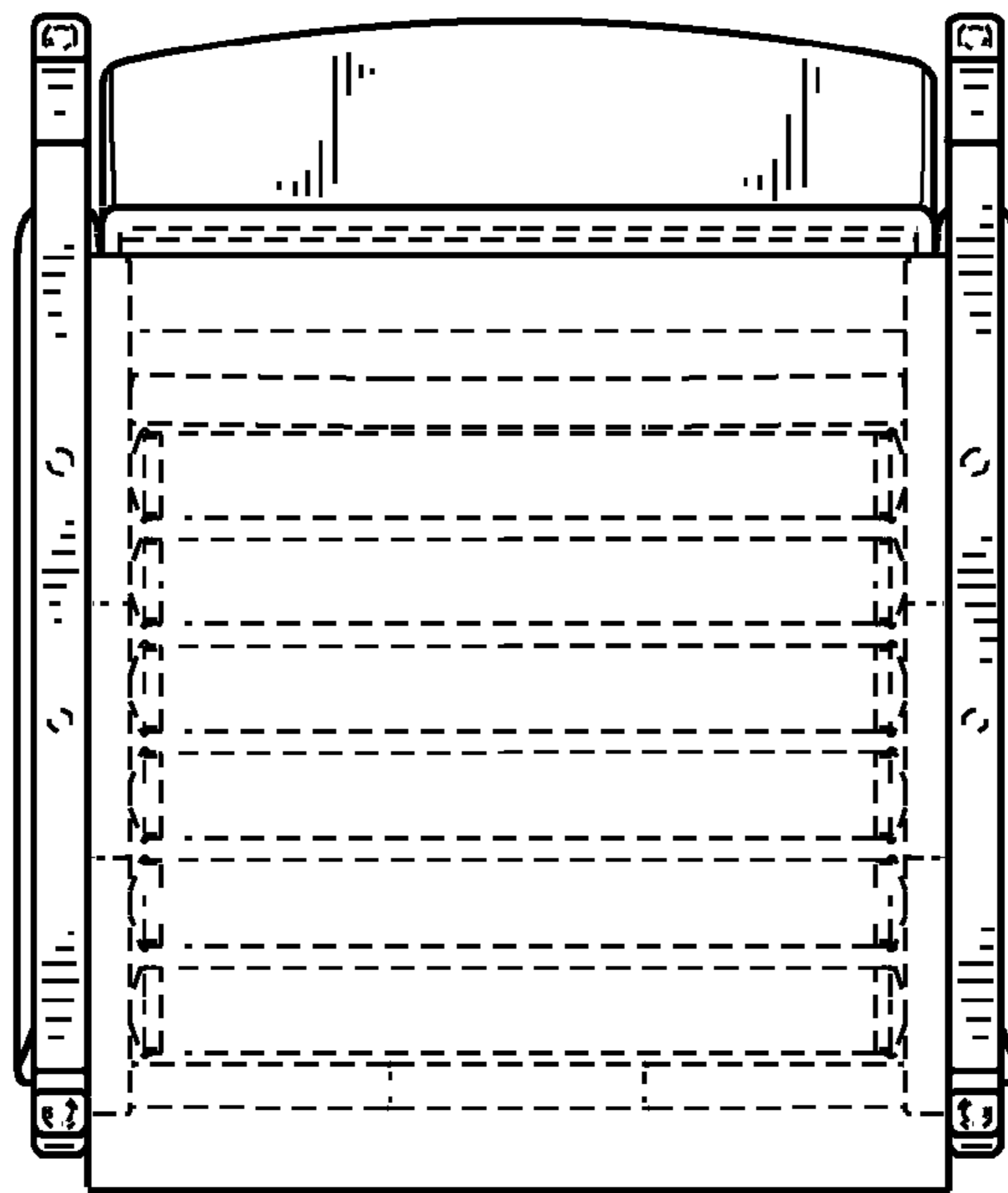


FIG. 6

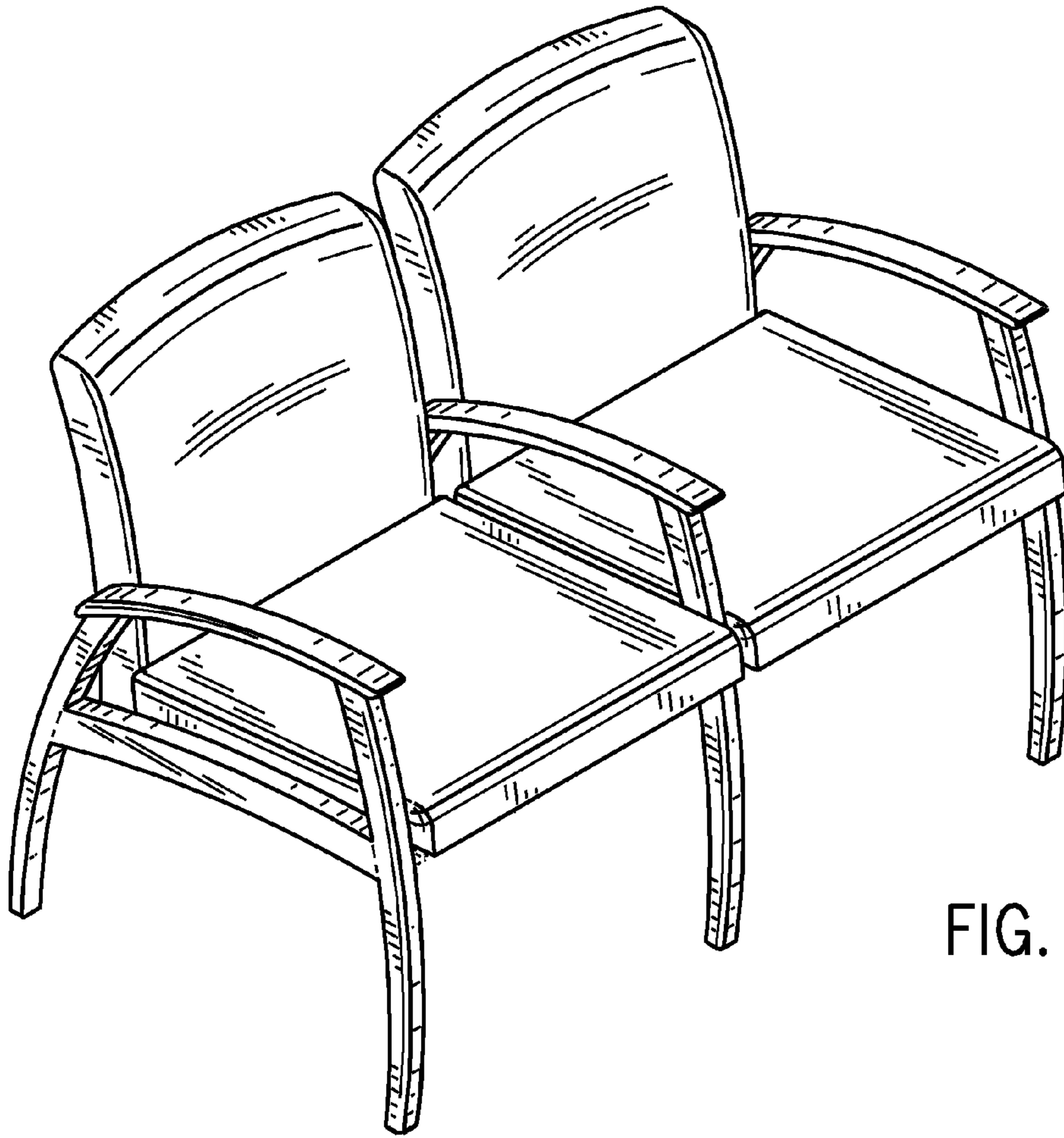
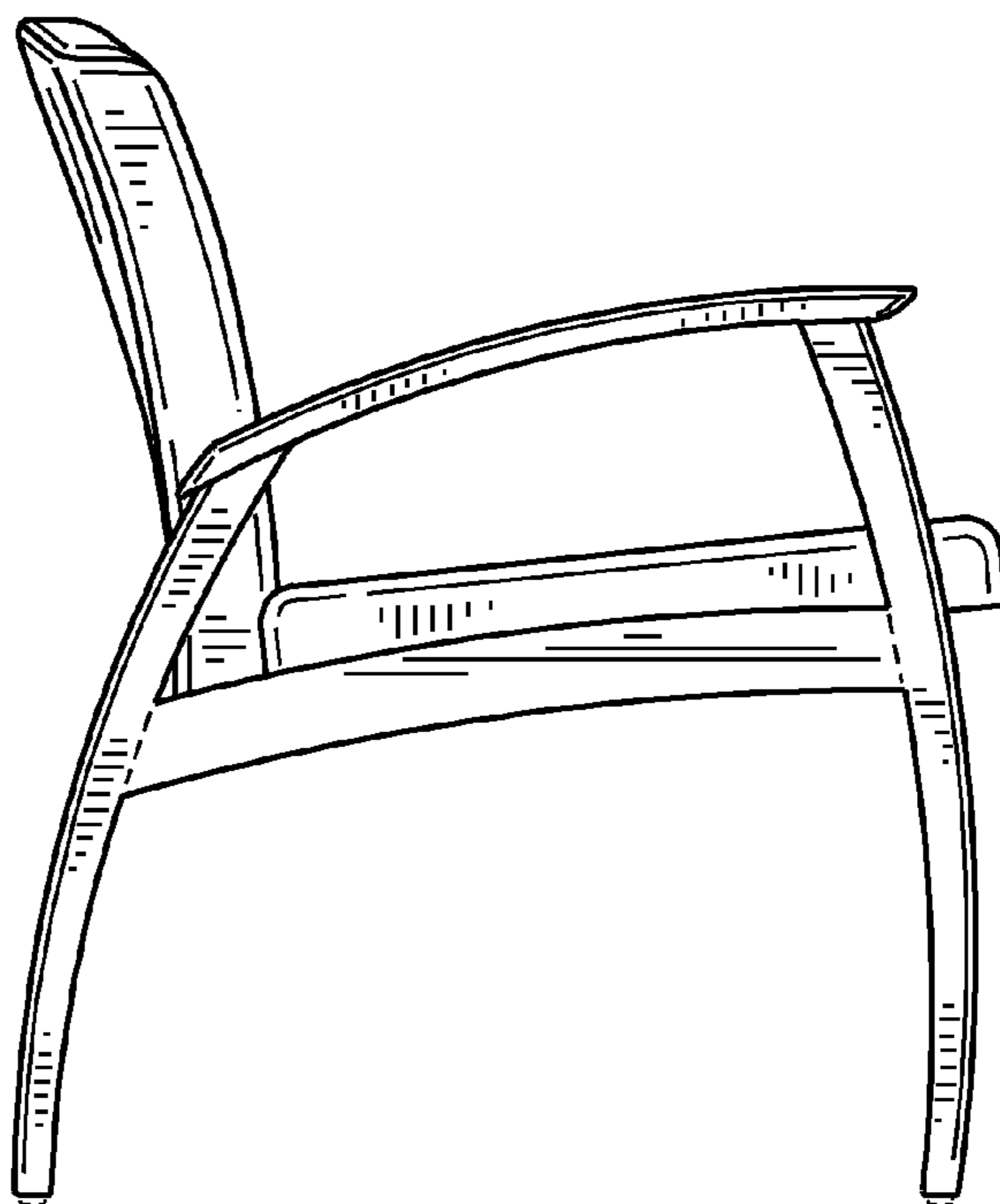


FIG. 7

FIG. 8



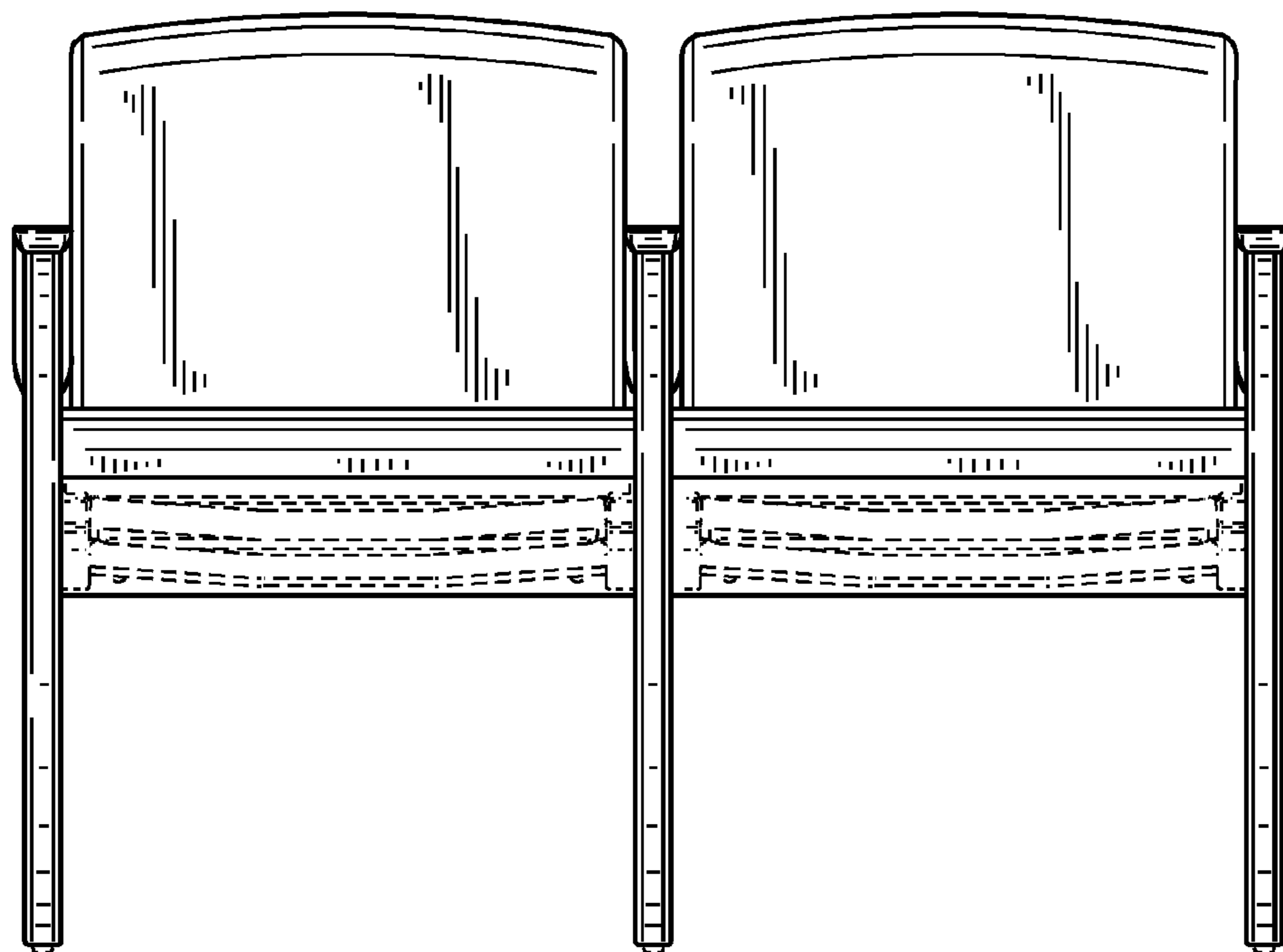


FIG. 9

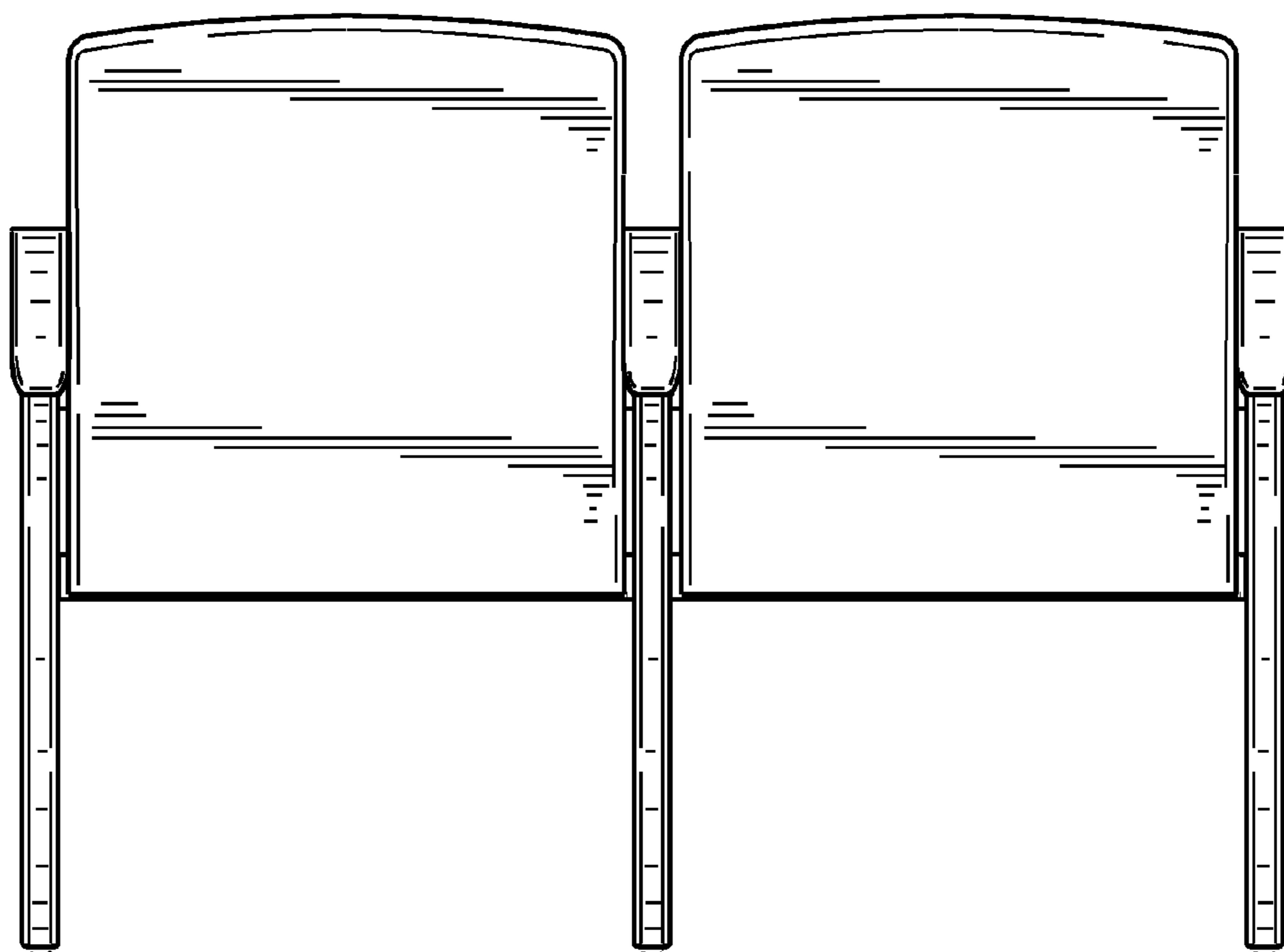


FIG. 10

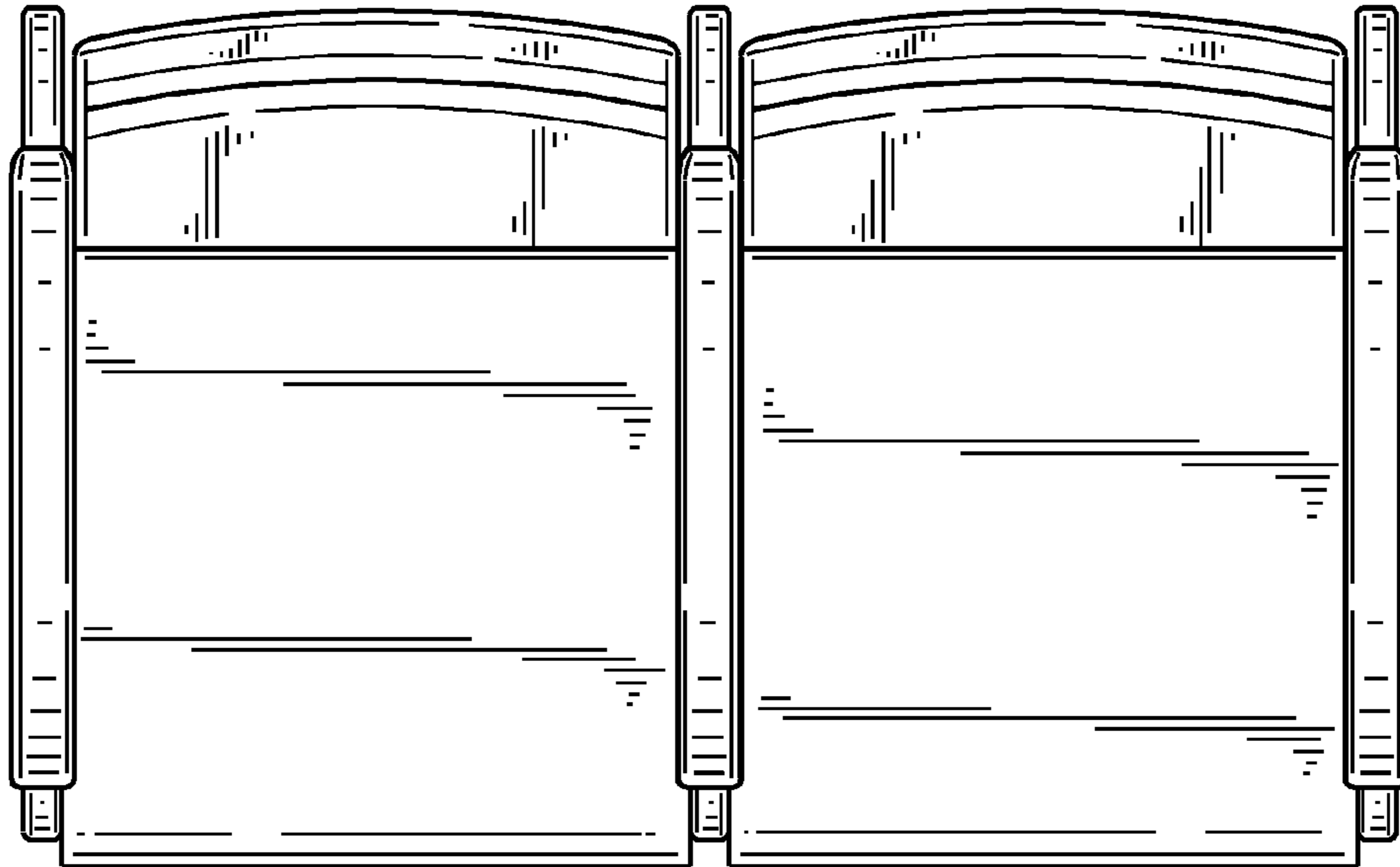


FIG. 11

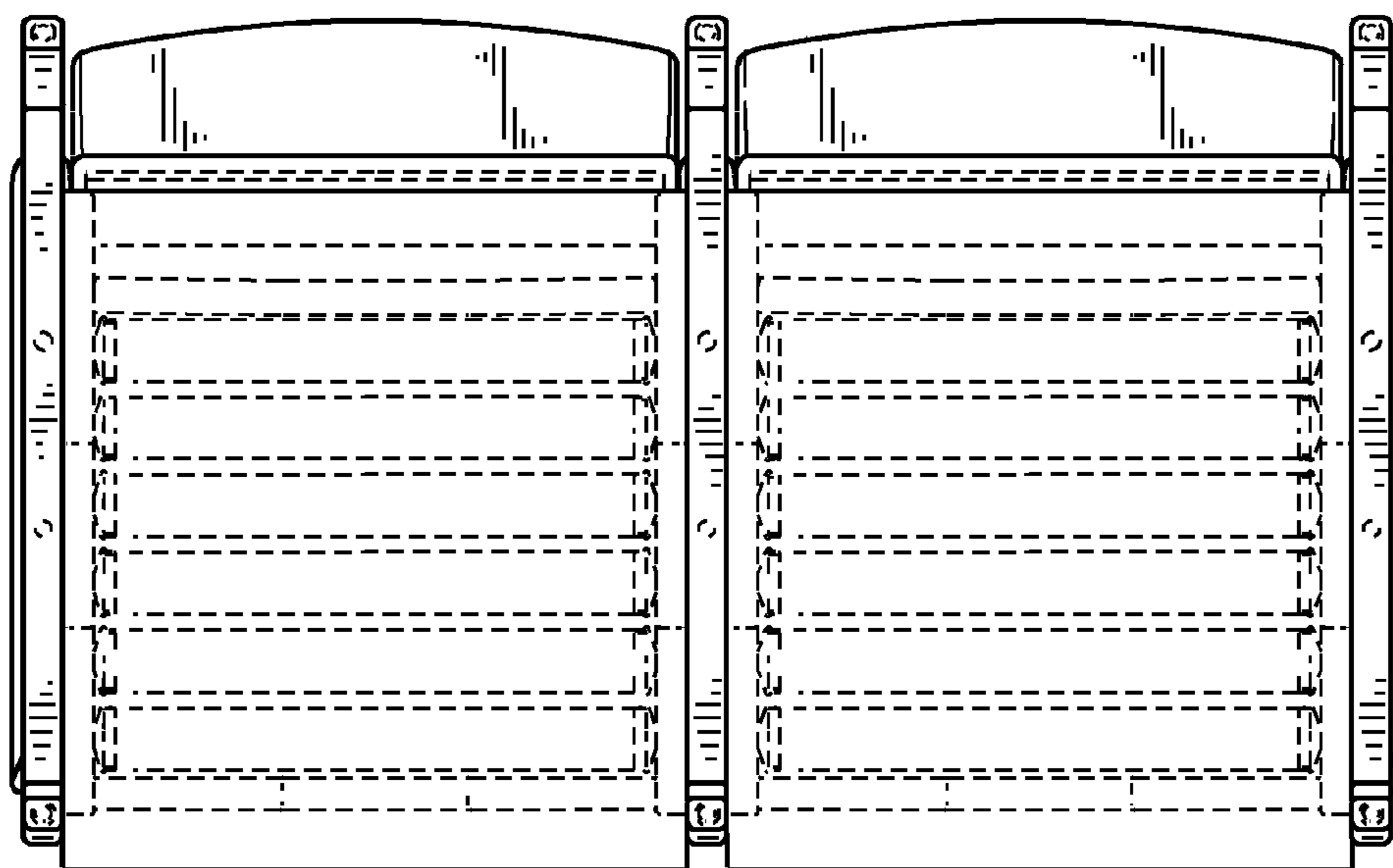


FIG. 12

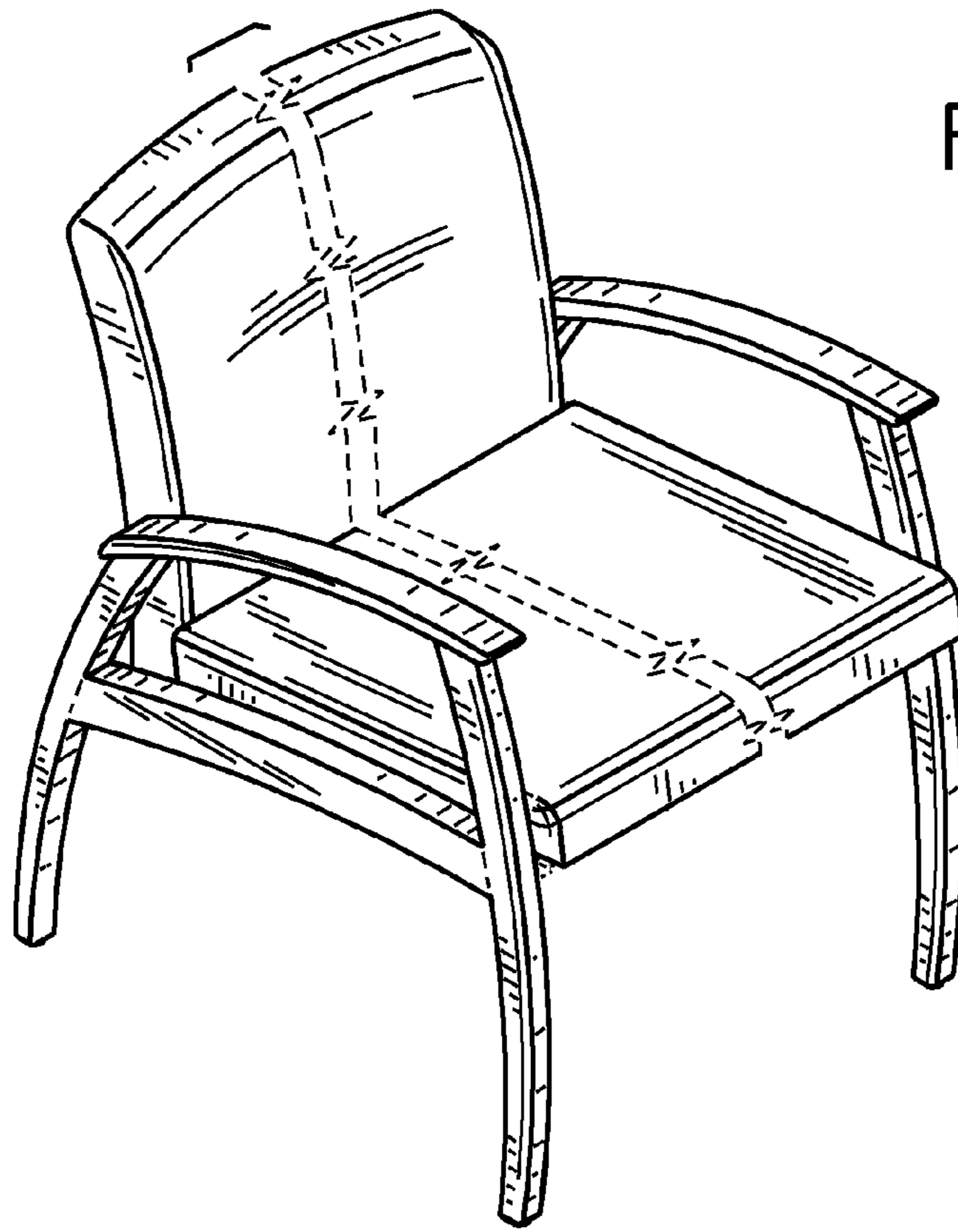


FIG. 13

FIG. 14

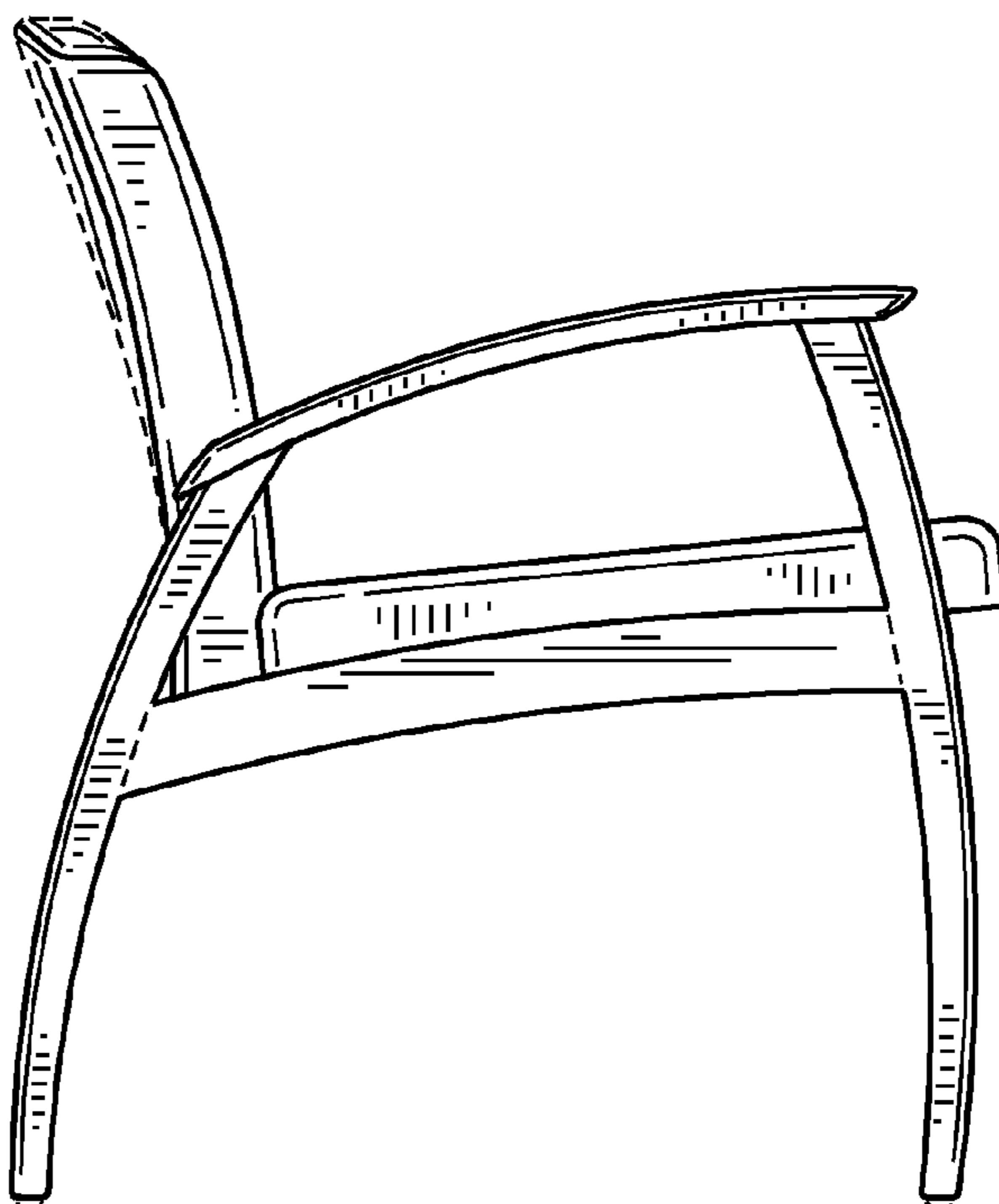


FIG. 15

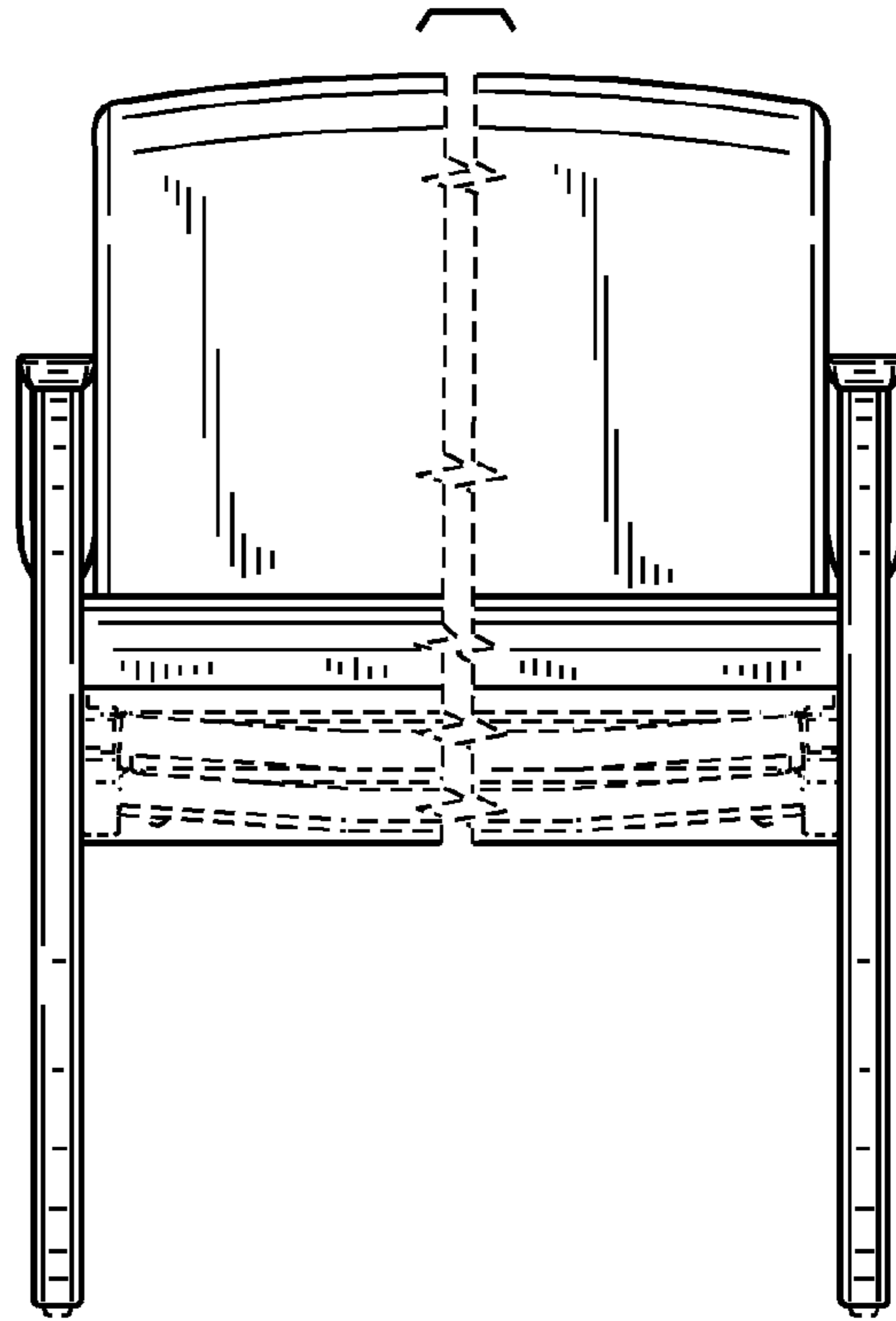


FIG. 16

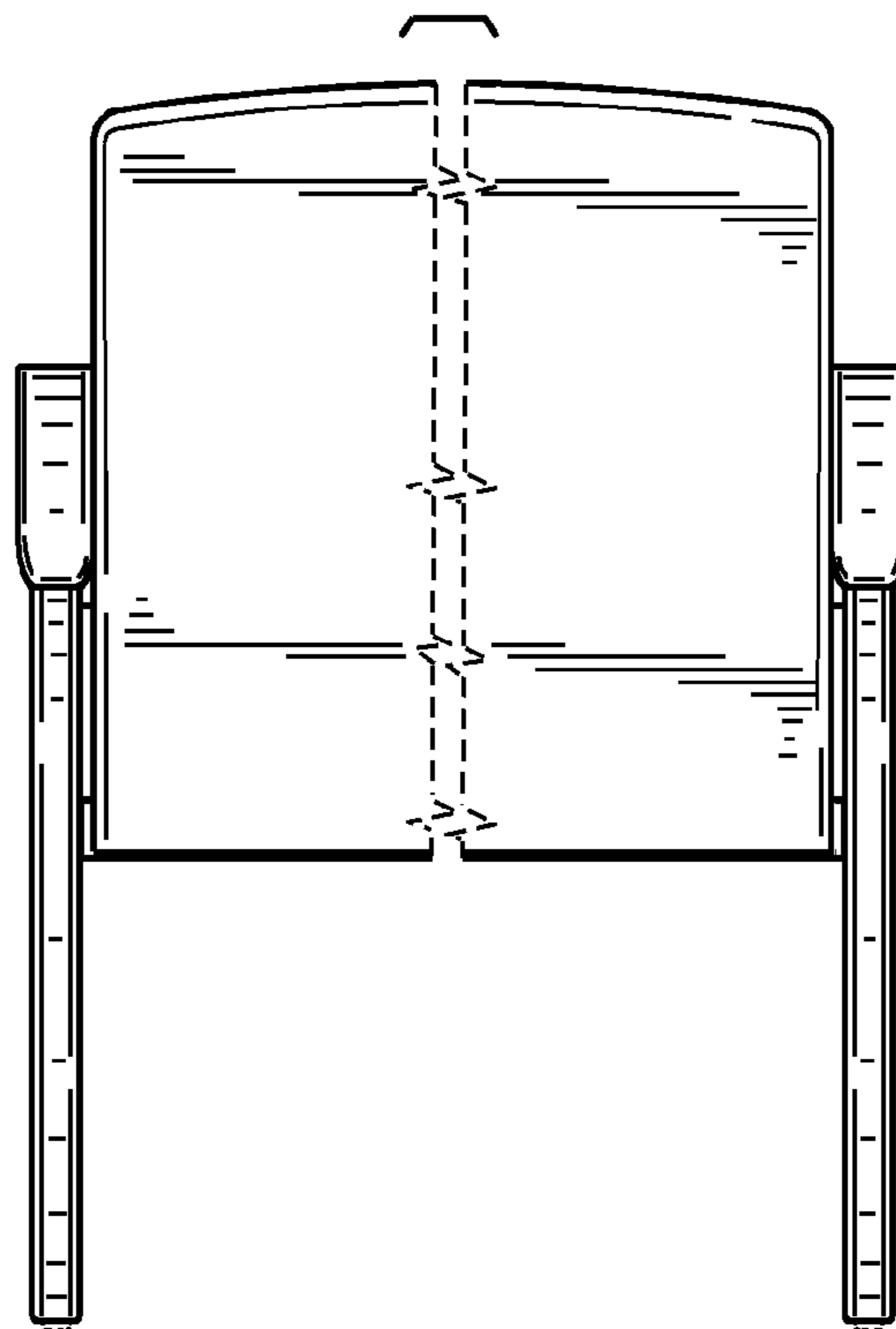


FIG. 17

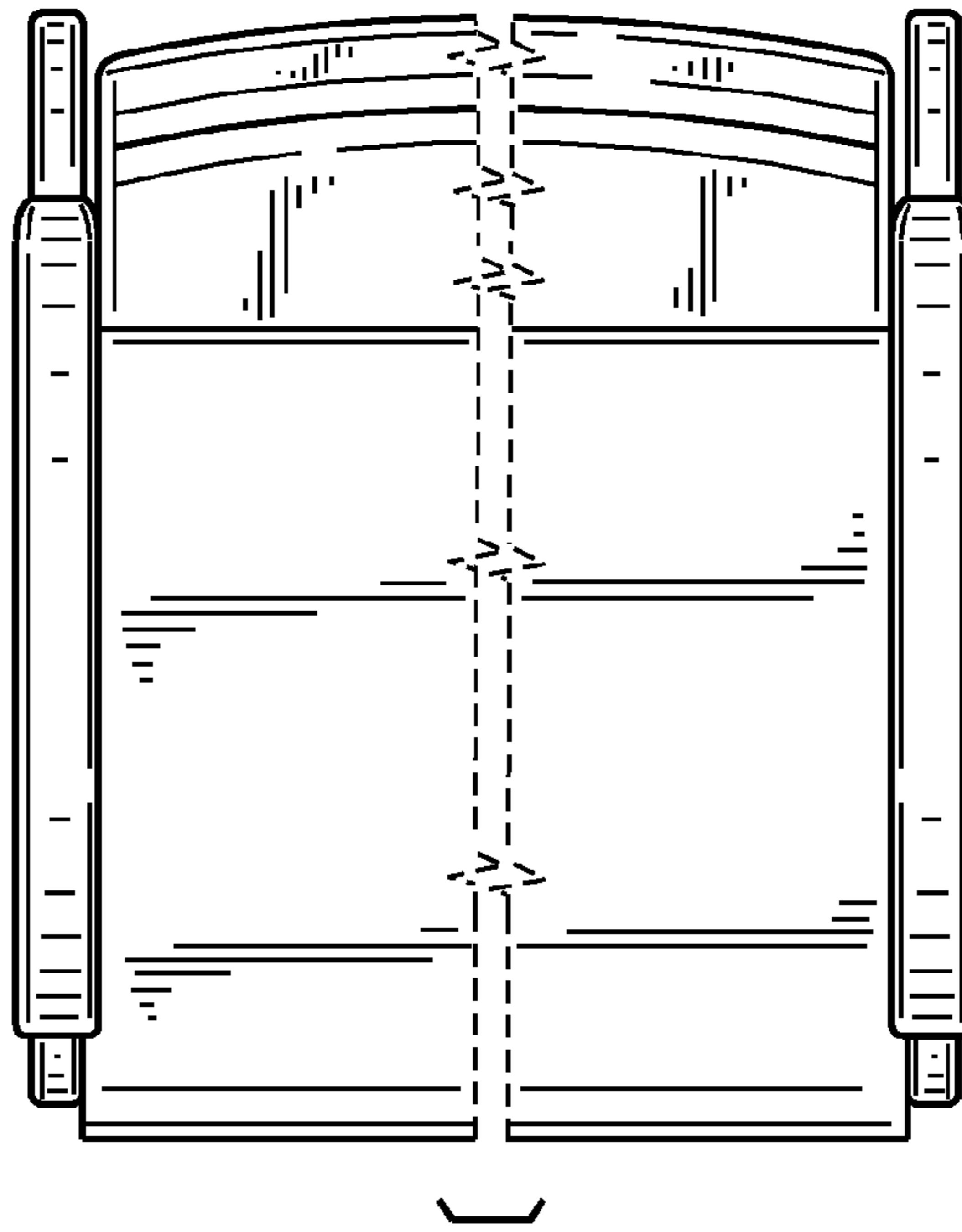
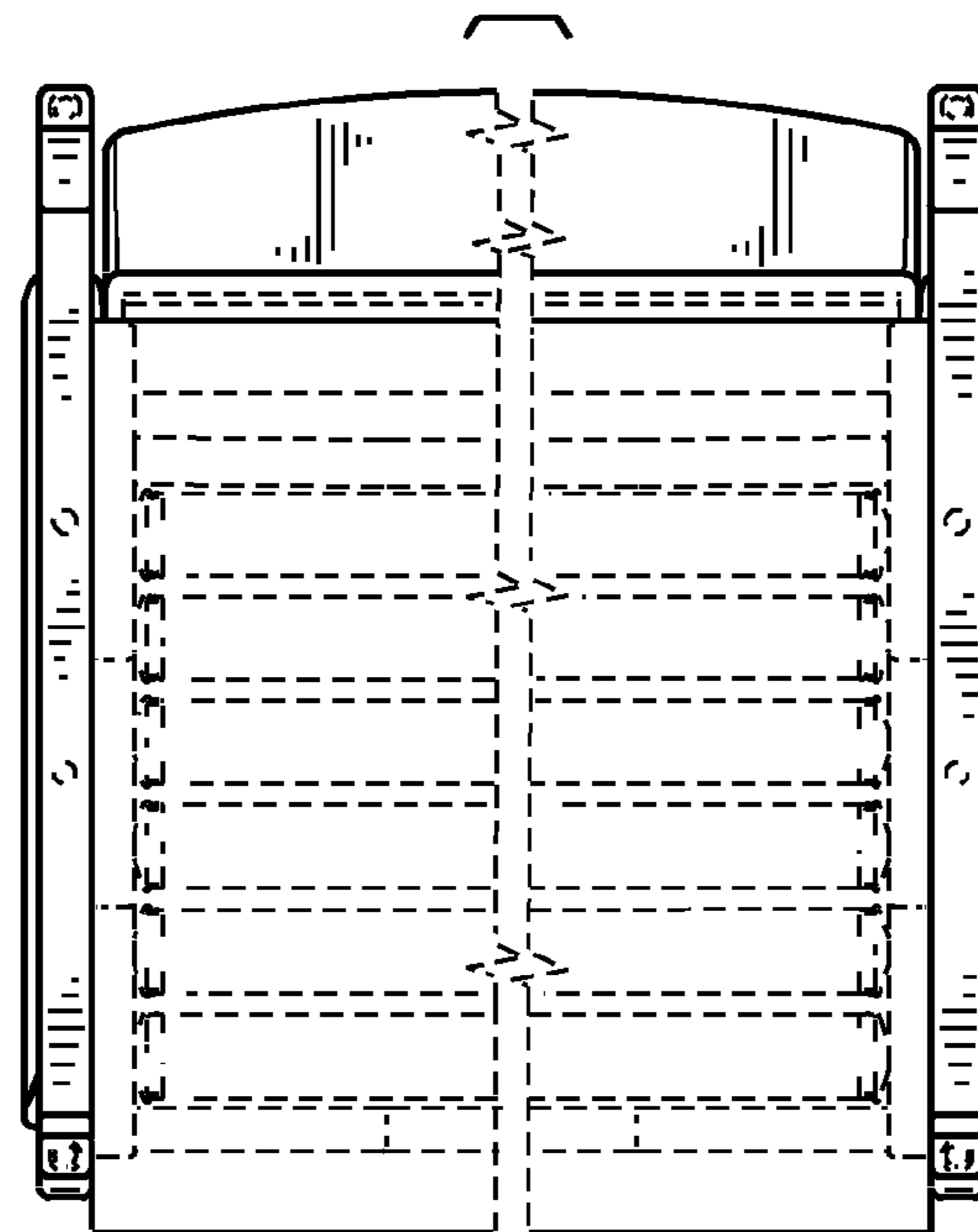


FIG. 18



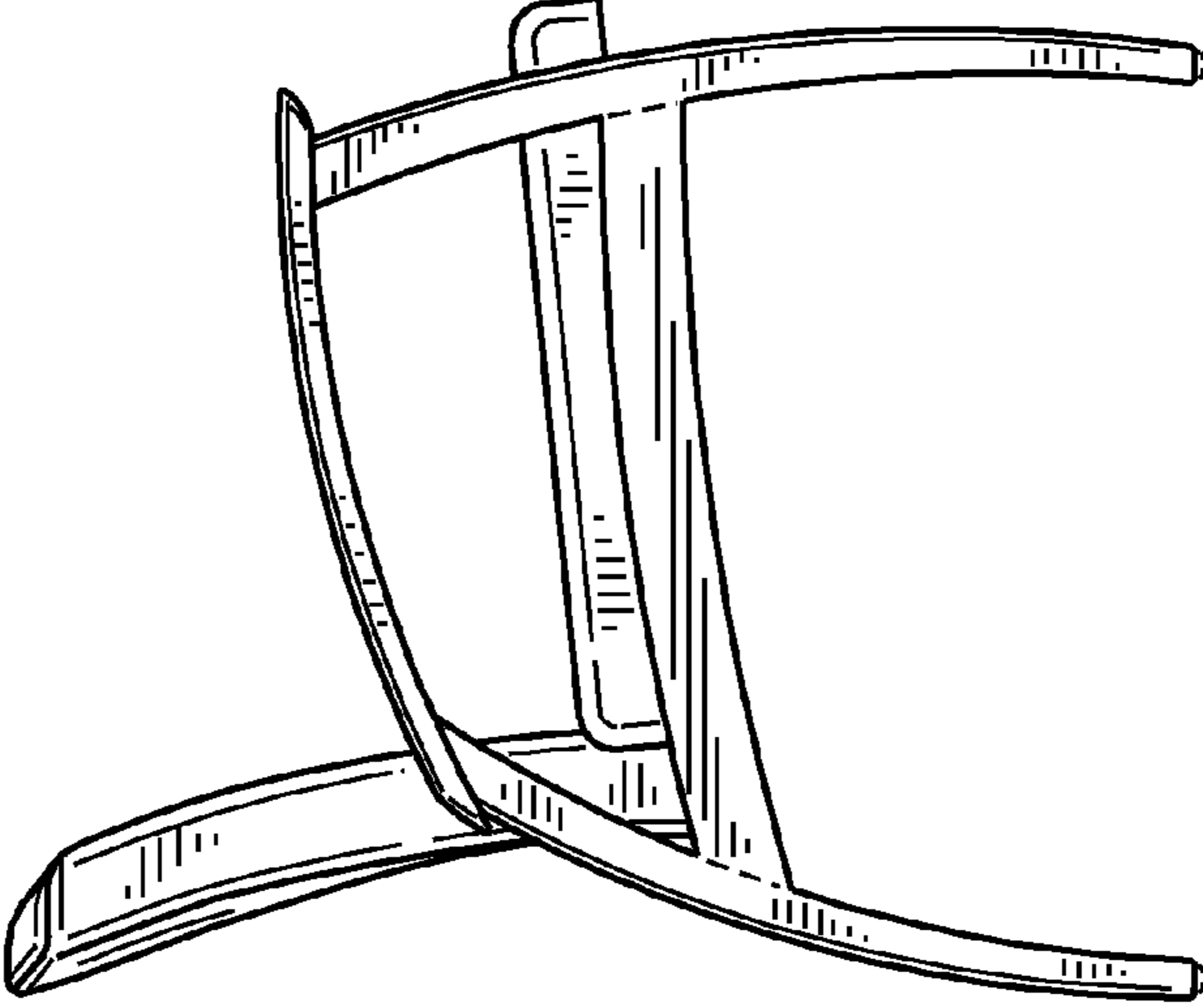


FIG. 20

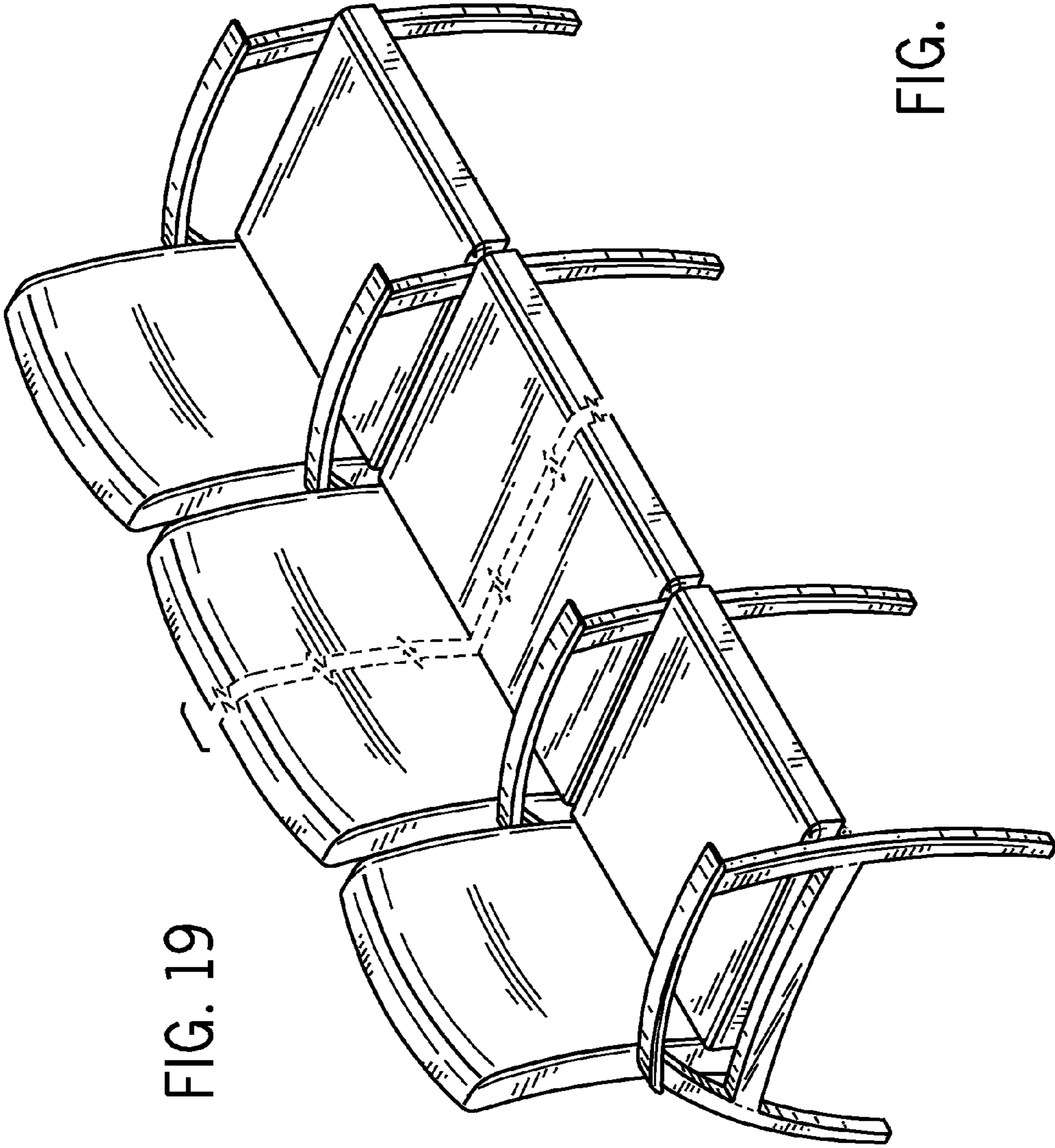


FIG. 19

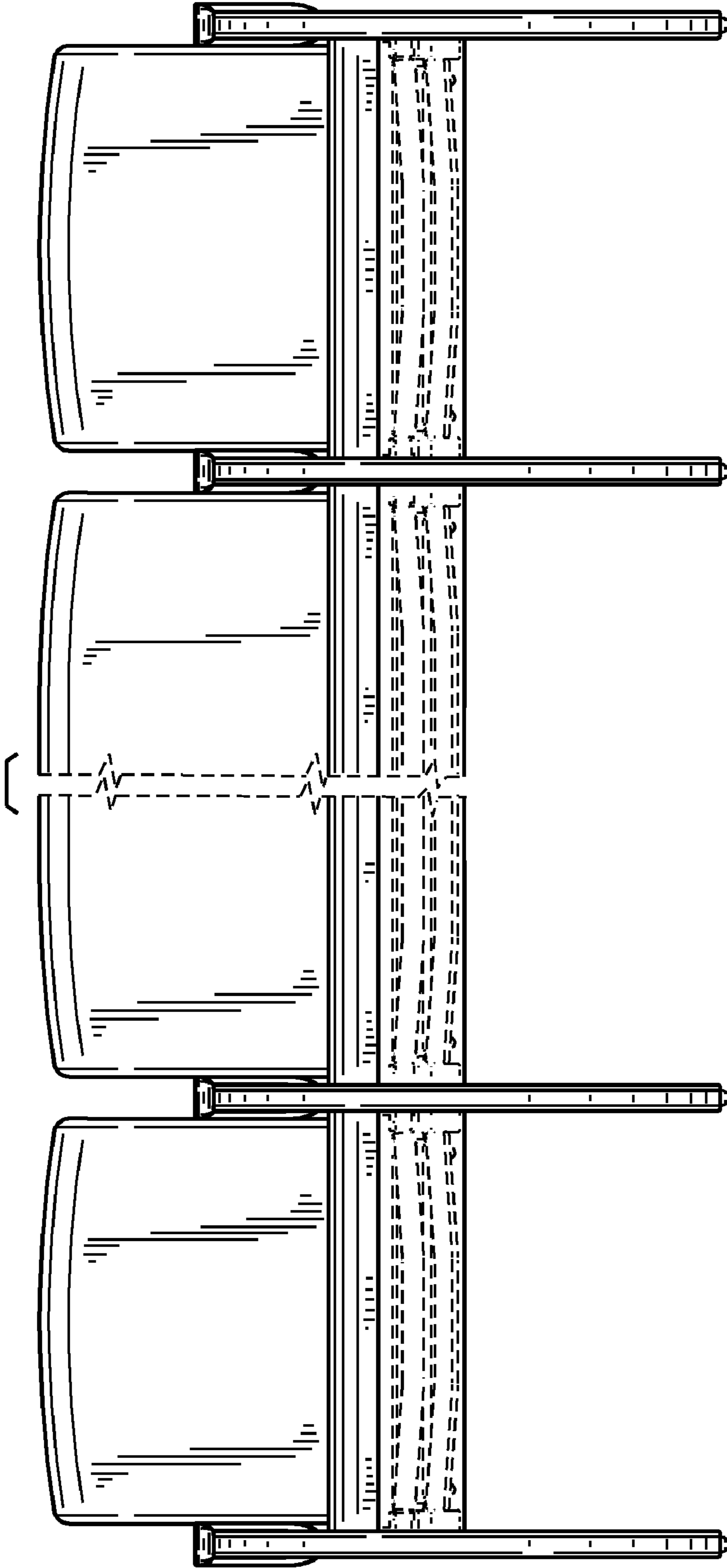


FIG. 21

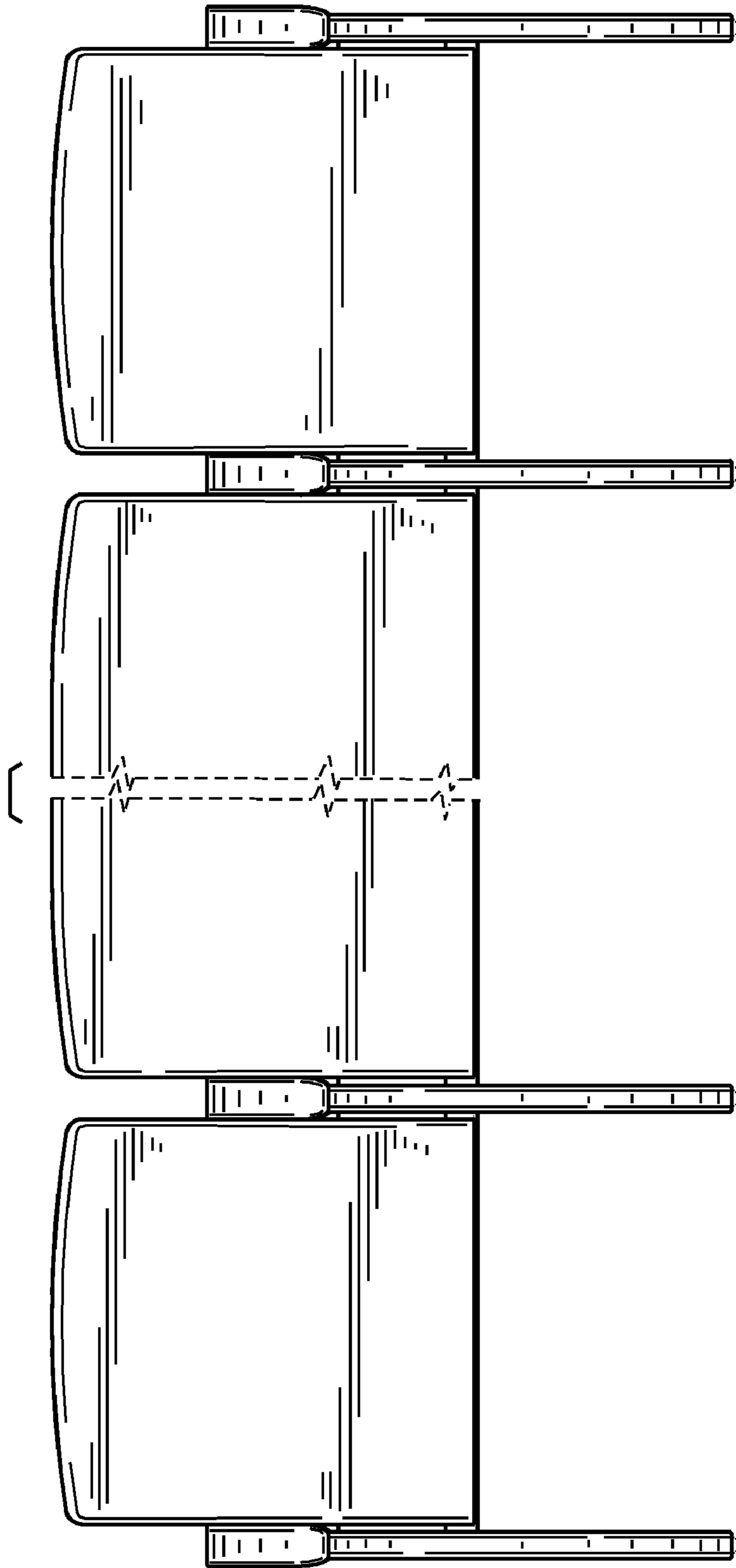


FIG. 22

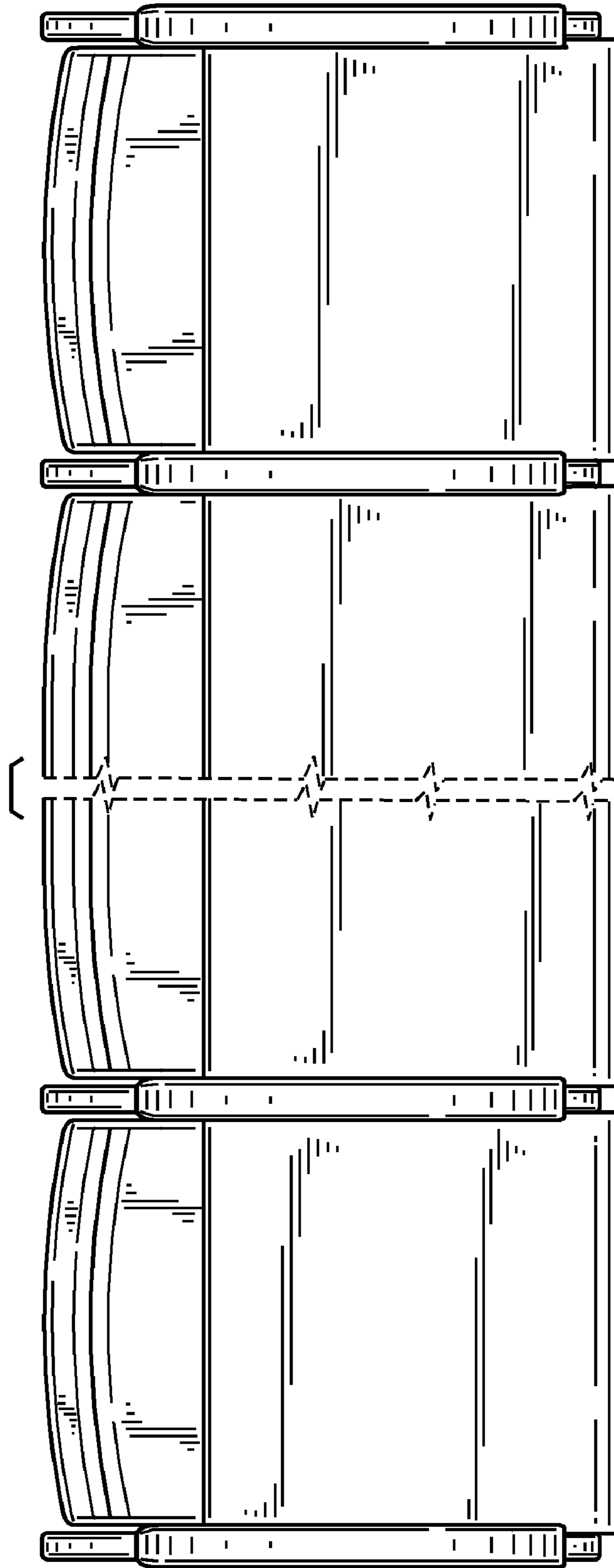


FIG. 23

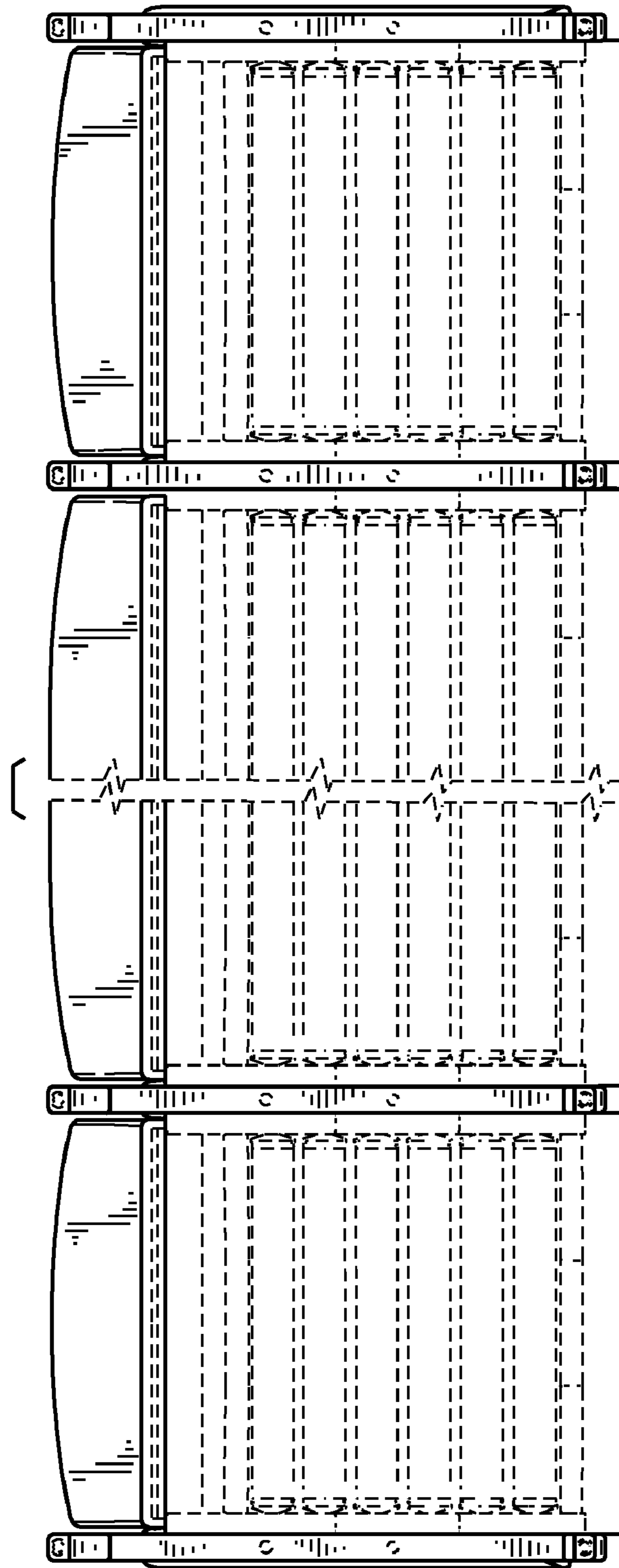


FIG. 24