

US00D604514S

(12) **United States Design Patent**  
**Melegari**

(10) **Patent No.:** **US D604,514 S**

(45) **Date of Patent:** **\*\* Nov. 24, 2009**

(54) **ROLLER FRAME GRIP**

(75) Inventor: **Scott A. Melegari**, West Salem, OH  
(US)

(73) Assignee: **The Wooster Brush Company**,  
Wooster, OH (US)

(\*\*) Term: **14 Years**

(21) Appl. No.: **29/281,800**

(22) Filed: **Jul. 2, 2007**

(51) **LOC (9) Cl.** ..... **08-05**

(52) **U.S. Cl.** ..... **D4/138**

(58) **Field of Classification Search** ..... D4/122,  
D4/134-138; 15/143.1, 145, 230.11; 16/422,  
16/430, 431; 492/13, 17, 19; D7/395, 401.2;  
D8/107, 303

See application file for complete search history.

(56) **References Cited**

**U.S. PATENT DOCUMENTS**

- 3,745,624 A \* 7/1973 Newman ..... 492/19
- D340,357 S \* 10/1993 Krinke ..... D4/138
- 5,345,648 A \* 9/1994 Graves ..... 15/230.11
- 5,857,241 A 1/1999 Camp, Jr. et al.
- 6,101,662 A \* 8/2000 Polzin et al. .... 15/230.11
- 6,438,788 B1 \* 8/2002 Gartner ..... 15/230.11

- 7,028,365 B2 \* 4/2006 Martin et al. .... 15/230.11
- 2002/0073500 A1 \* 6/2002 Pavlou ..... 15/230.11

\* cited by examiner

*Primary Examiner*—Melanie H Tung

*Assistant Examiner*—Lavone D Tabor

(74) *Attorney, Agent, or Firm*—Renner, Otto, Boisselle &  
Sklar, LLP

(57) **CLAIM**

The ornamental design for a roller frame grip, as shown and described.

**DESCRIPTION**

FIG. 1 is a perspective view of a roller frame grip showing my new design.

FIG. 2 is a side elevation view of FIG. 1, the opposite side being a mirror image.

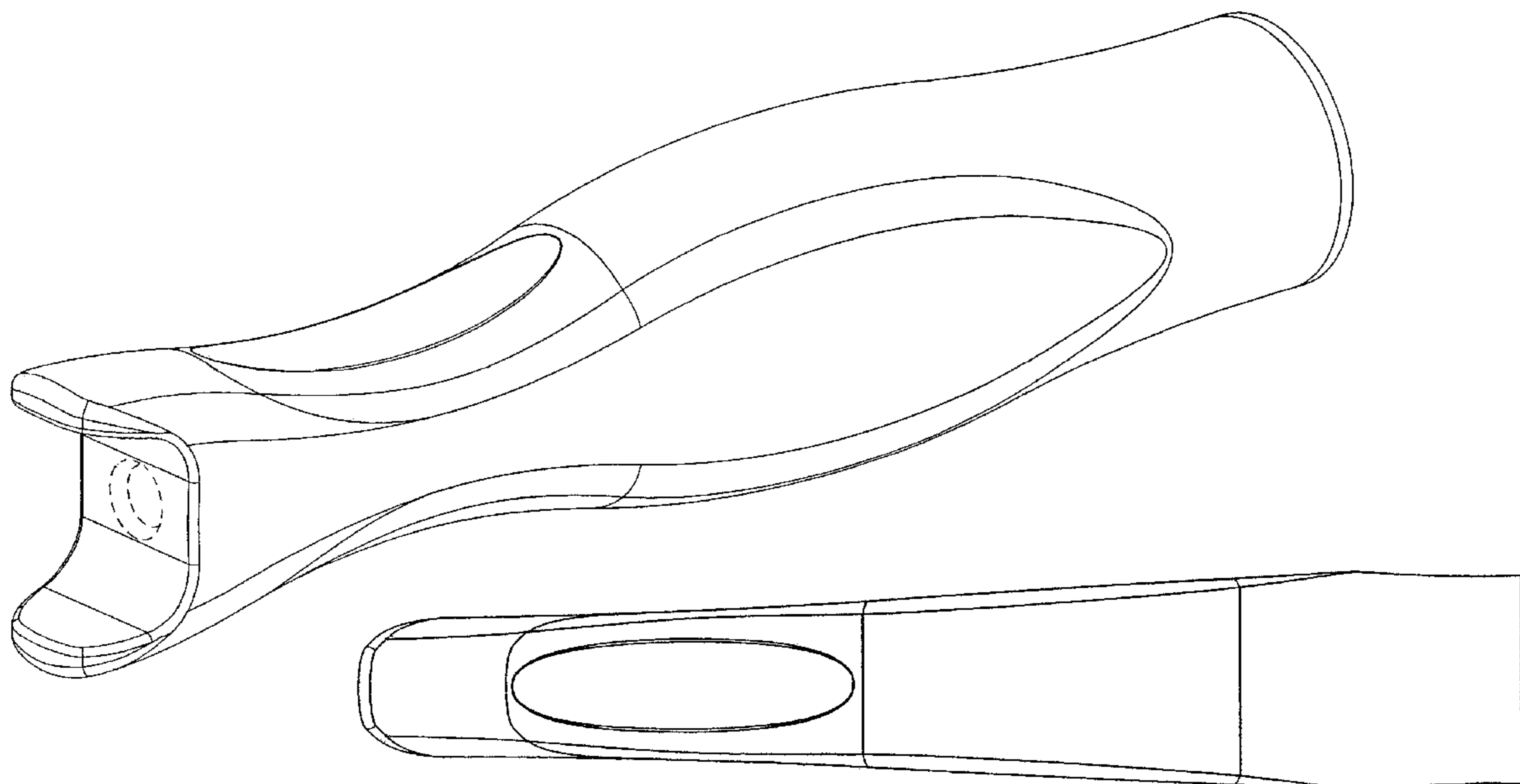
FIG. 3 is a top plan view of FIG. 1, the bottom plan view being a mirror image.

FIG. 4 is a front elevation view of FIG. 1; and,

FIG. 5 is a rear elevation view of FIG. 1.

The broken lines and the areas within those lines in FIGS. 1, 4, and 5 illustrate portions of the roller frame grip that form no part of the claimed design.

**1 Claim, 4 Drawing Sheets**



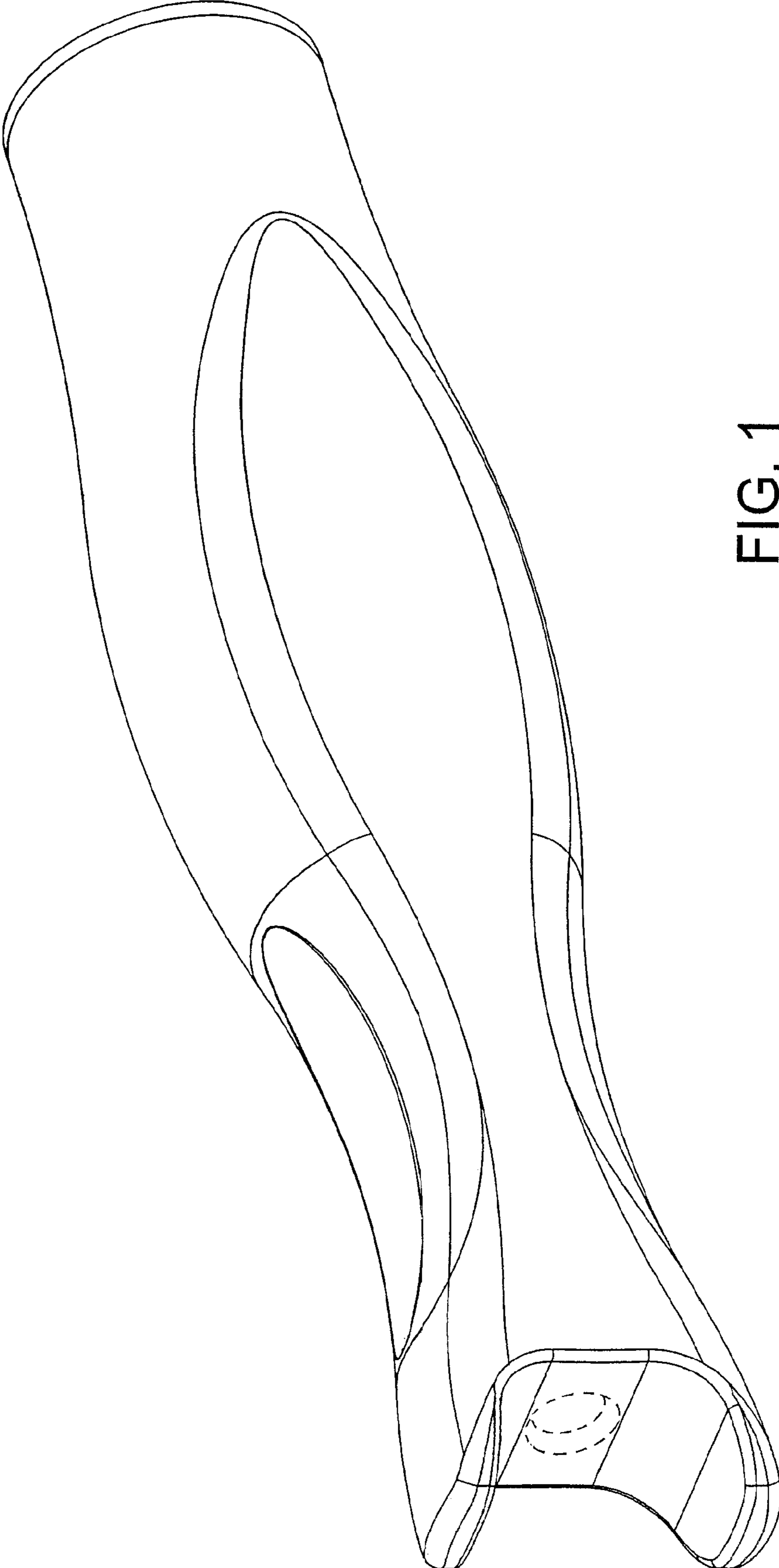


FIG. 1

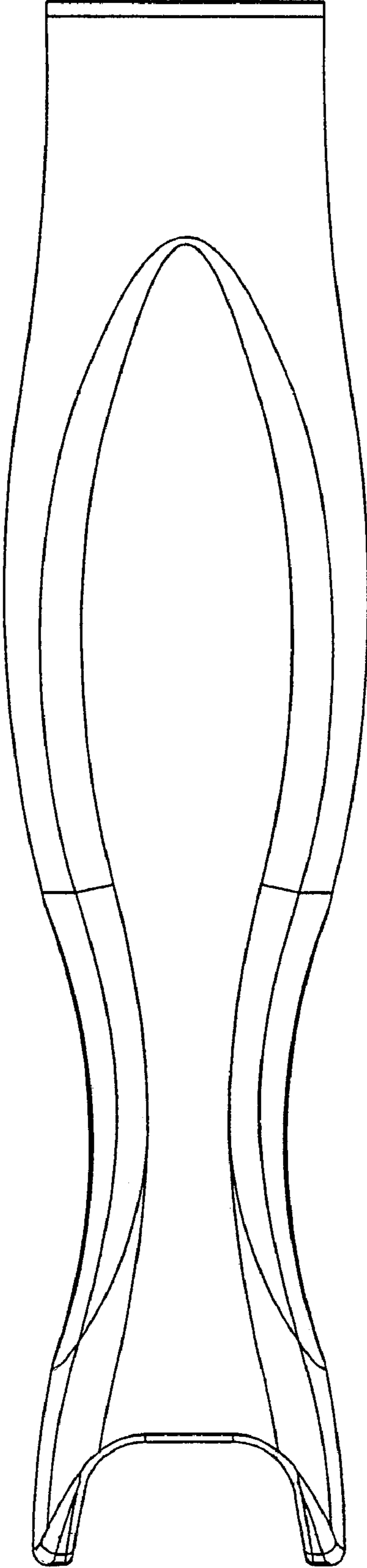


FIG. 2

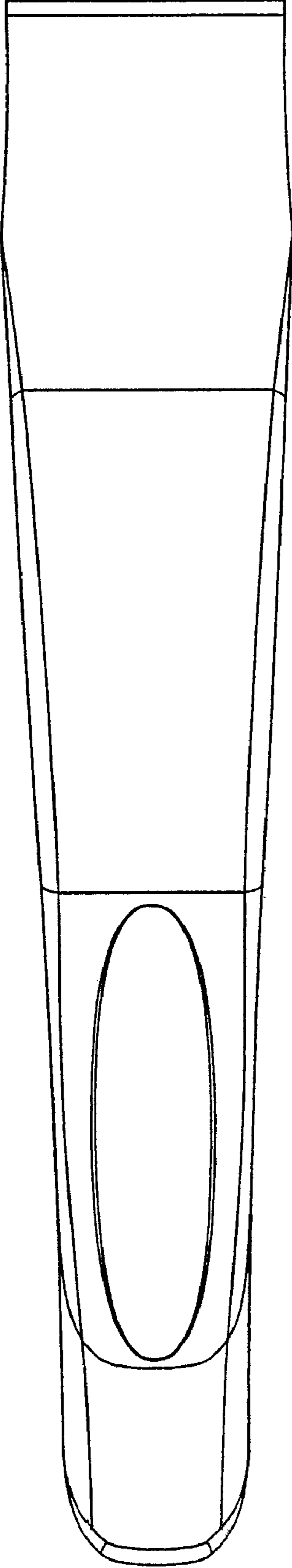


FIG. 3

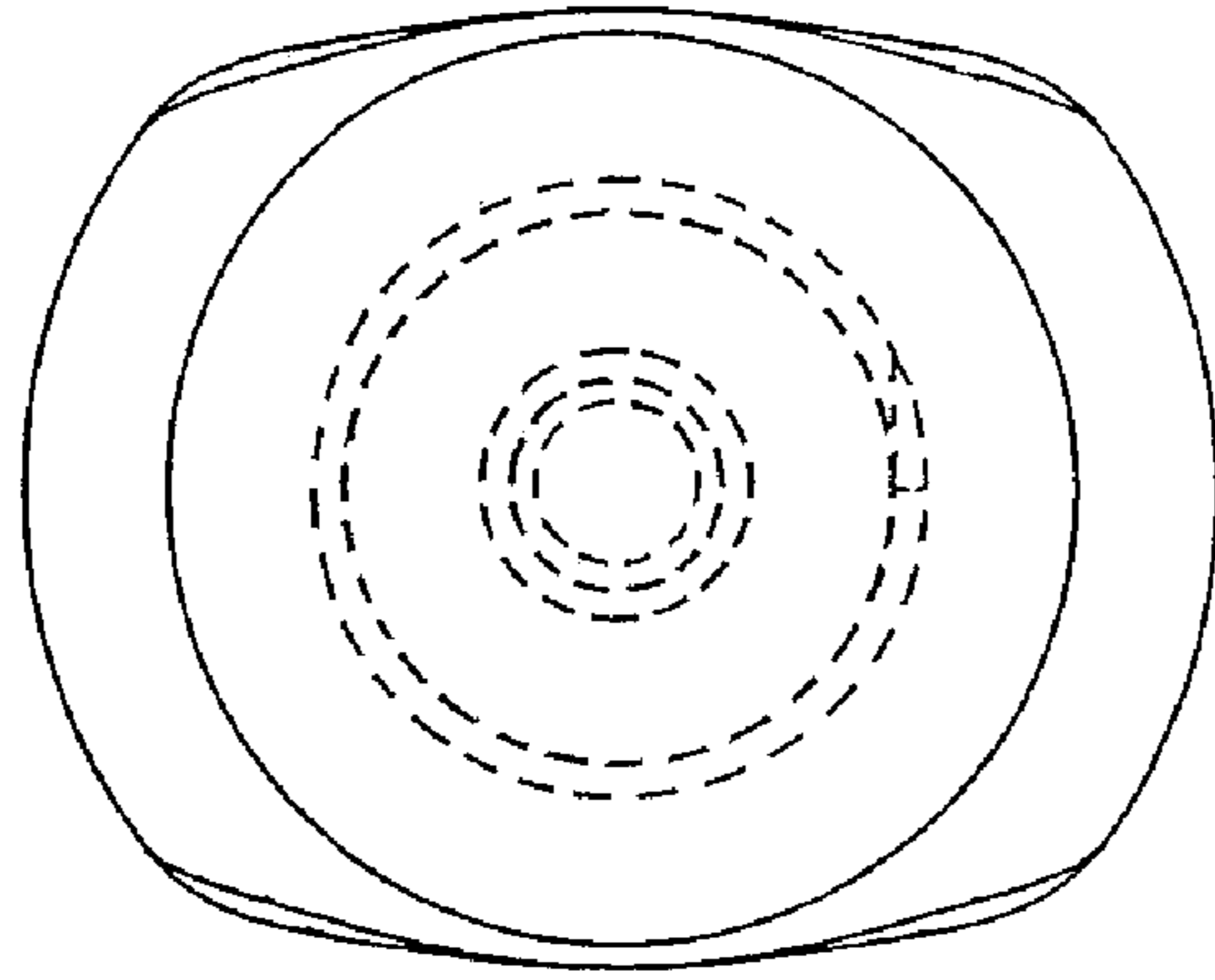


FIG. 5

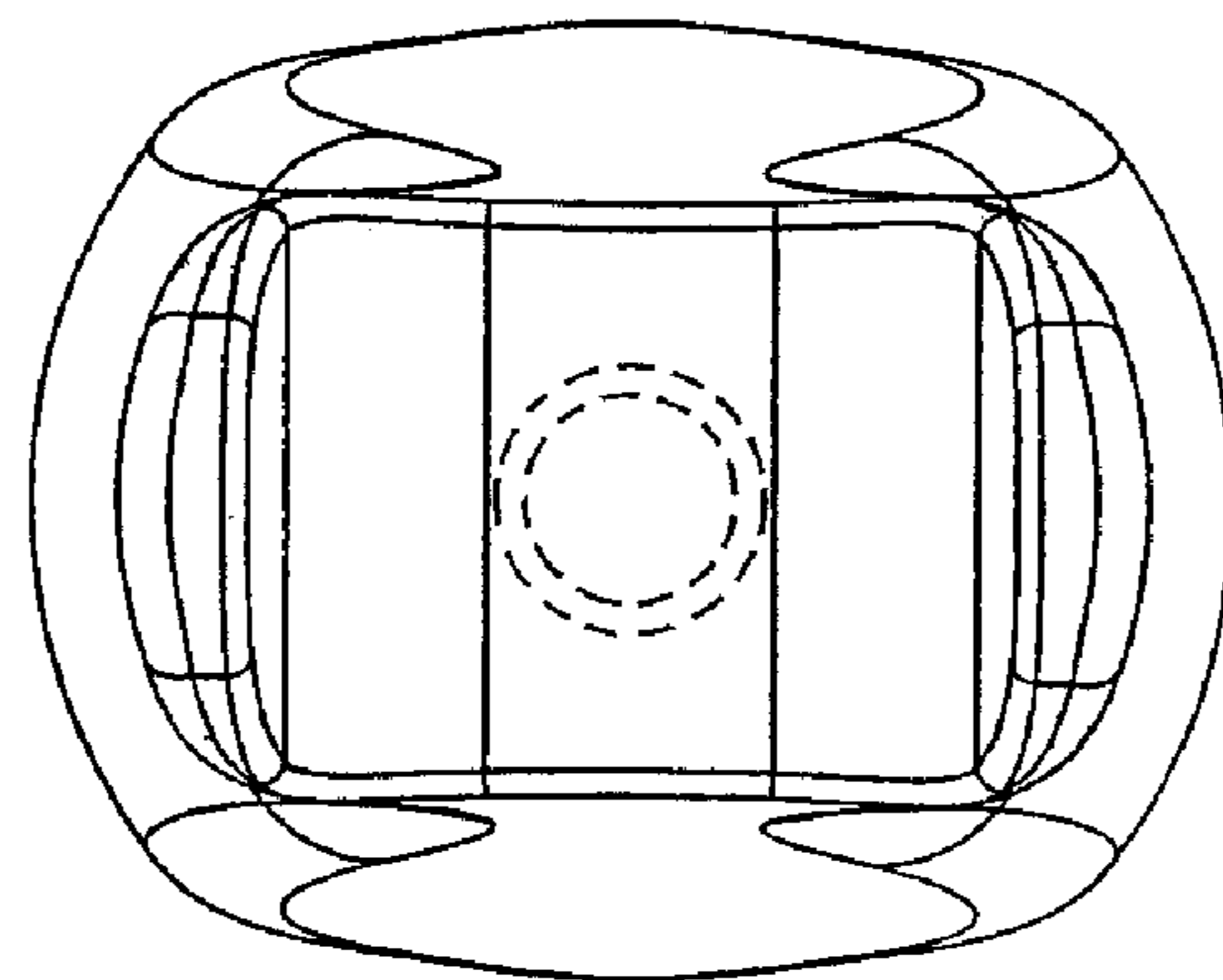


FIG. 4