

US00D604511S

(12) **United States Design Patent**
Lai

(10) **Patent No.:** **US D604,511 S**

(45) **Date of Patent:** **** Nov. 24, 2009**

(54) **TOOL BOX**

(75) Inventor: **Liang-Tzu Lai**, Shyue-Ten Village (TW)

(73) Assignee: **Jaco International Corporation**,
Taichung Hsien (TW)

(**) Term: **14 Years**

(21) Appl. No.: **29/318,848**

(22) Filed: **May 29, 2008**

(51) **LOC (9) Cl.** **03-01**

(52) **U.S. Cl.** **D3/295; D3/905**

(58) **Field of Classification Search** D3/201,
D3/208, 247, 273, 282, 294-295, 315, 905;
D14/341-342, 345; D19/81; 206/349, 372-379
See application file for complete search history.

(56) **References Cited**

U.S. PATENT DOCUMENTS

3,997,053	A *	12/1976	Bondhus	206/377
D307,214	S *	4/1990	Litton	D3/208
D355,360	S *	2/1995	Mund et al.	D9/423
D357,918	S *	5/1995	Doria	D14/218
D367,211	S *	2/1996	Cautereels	D7/629
D373,576	S *	9/1996	Liggett	D14/341
D414,299	S *	9/1999	Lai	D28/77
D423,055	S *	4/2000	Demsien et al.	D19/81
D423,214	S *	4/2000	Hawkins et al.	D3/294
D439,042	S *	3/2001	Lau	D3/247
D466,295	S *	12/2002	Snider	D3/276
D467,429	S *	12/2002	Bone et al.	D3/294
D497,508	S *	10/2004	Dardashti	D6/632
D506,064	S *	6/2005	Keegan et al.	D3/282

D509,656	S *	9/2005	Pangerc et al.	D3/294
D516,812	S *	3/2006	Pangerc et al.	D3/294
D537,253	S *	2/2007	Chen	D3/315
D579,204	S *	10/2008	Chen	D3/315
7,434,688	B2 *	10/2008	Hu	206/377
2003/0226779	A1 *	12/2003	Chen	206/373
2007/0272572	A1 *	11/2007	Chen	206/373

* cited by examiner

Primary Examiner—Philip S Hyder

Assistant Examiner—Roselyne Cody

(74) *Attorney, Agent, or Firm*—Banger Shia

(57) **CLAIM**

I claim the ornamental design for a tool box, as shown and described.

DESCRIPTION

FIG. 1 is a perspective view of a tool box, showing my new design;

FIG. 2 is a front elevational view thereof;

FIG. 3 is a rear elevational view thereof;

FIG. 4 is a left side elevational view thereof;

FIG. 5 is a right side elevational view thereof;

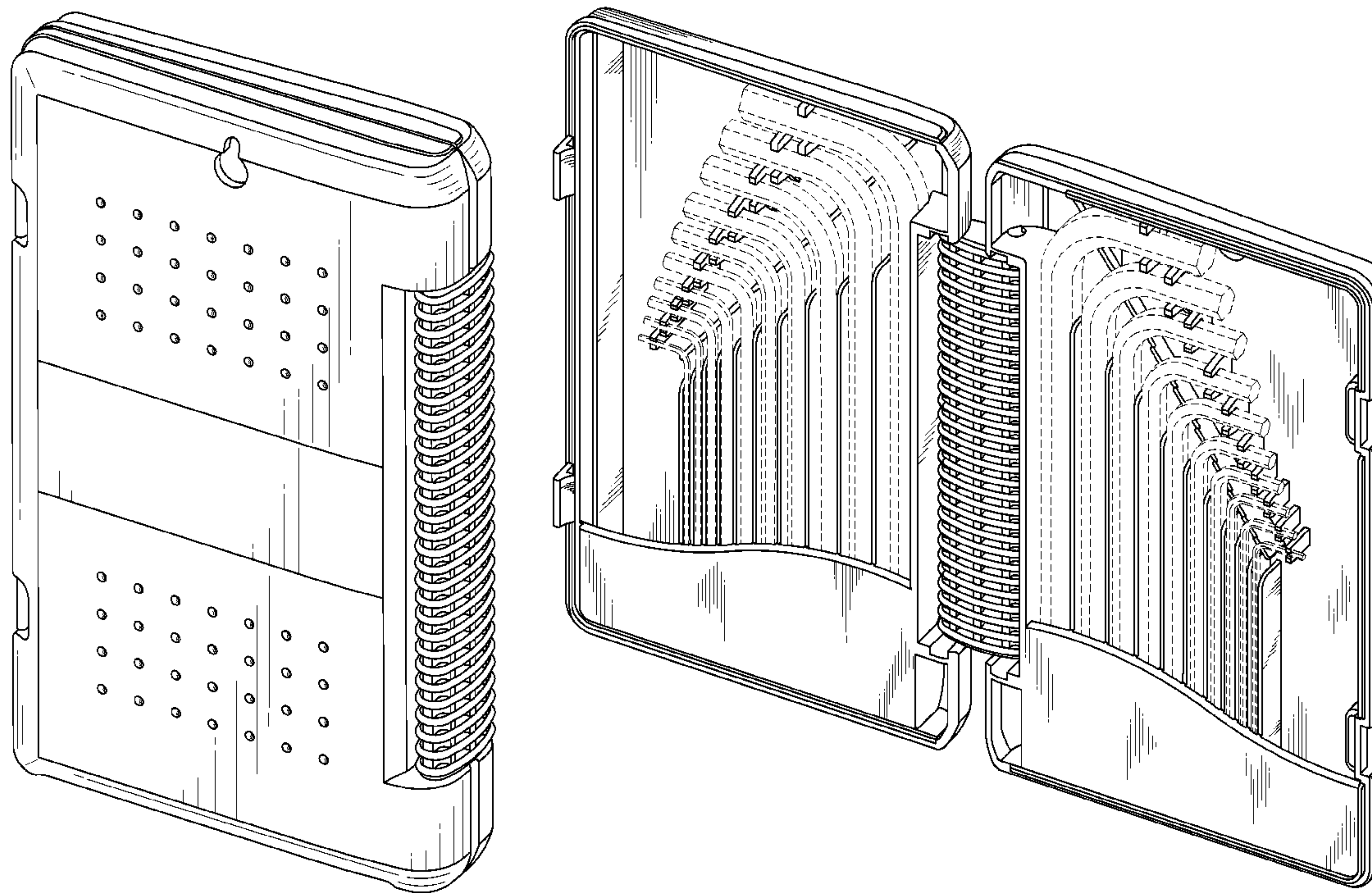
FIG. 6 is a top plan view thereof; and,

FIG. 7 is a bottom plan view thereof; and,

FIG. 8 is a perspective view showing the claimed design in an open position.

The broken lines in FIG. 8 are illustrative of environment and form no part of the claimed design.

1 Claim, 6 Drawing Sheets



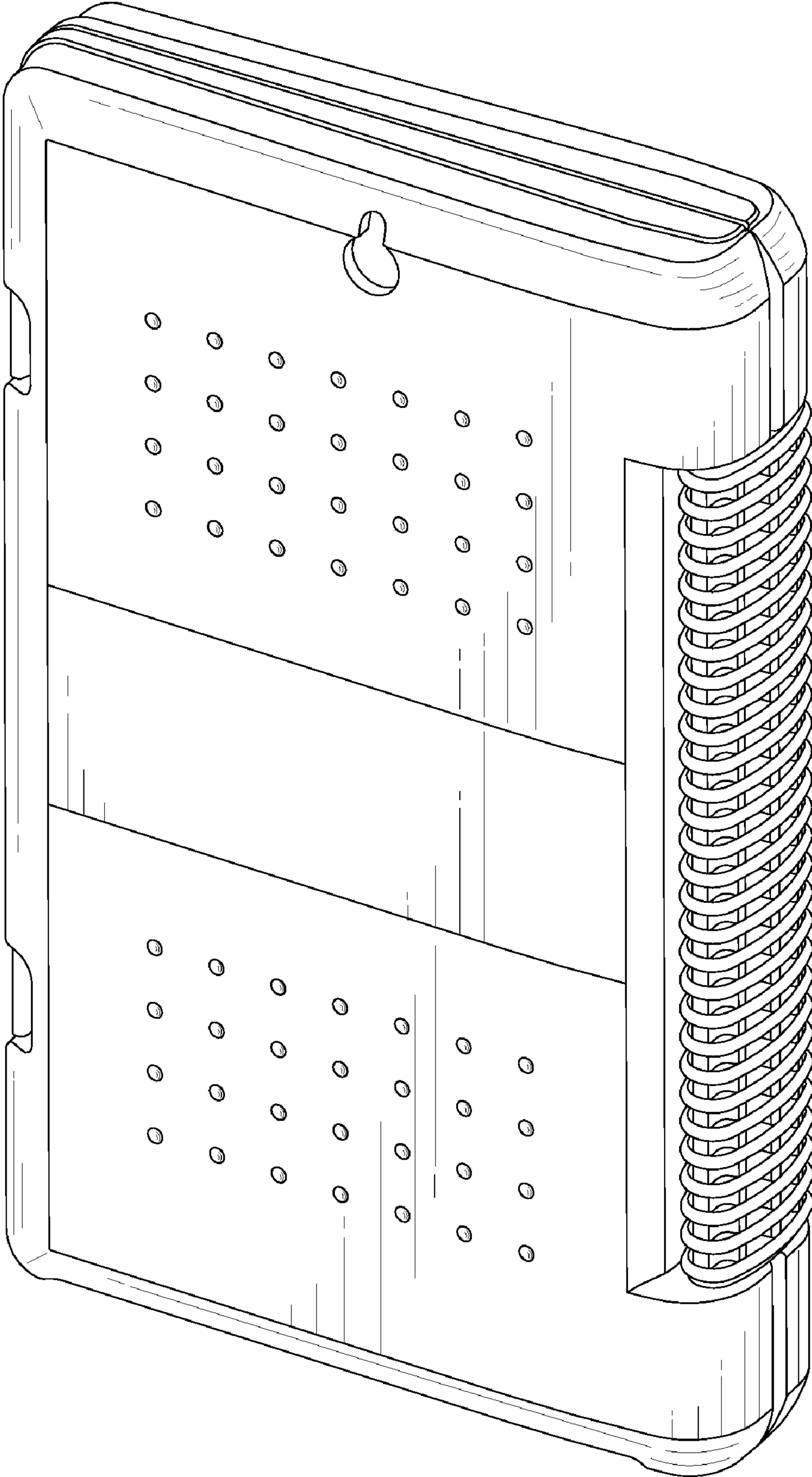


FIG.1

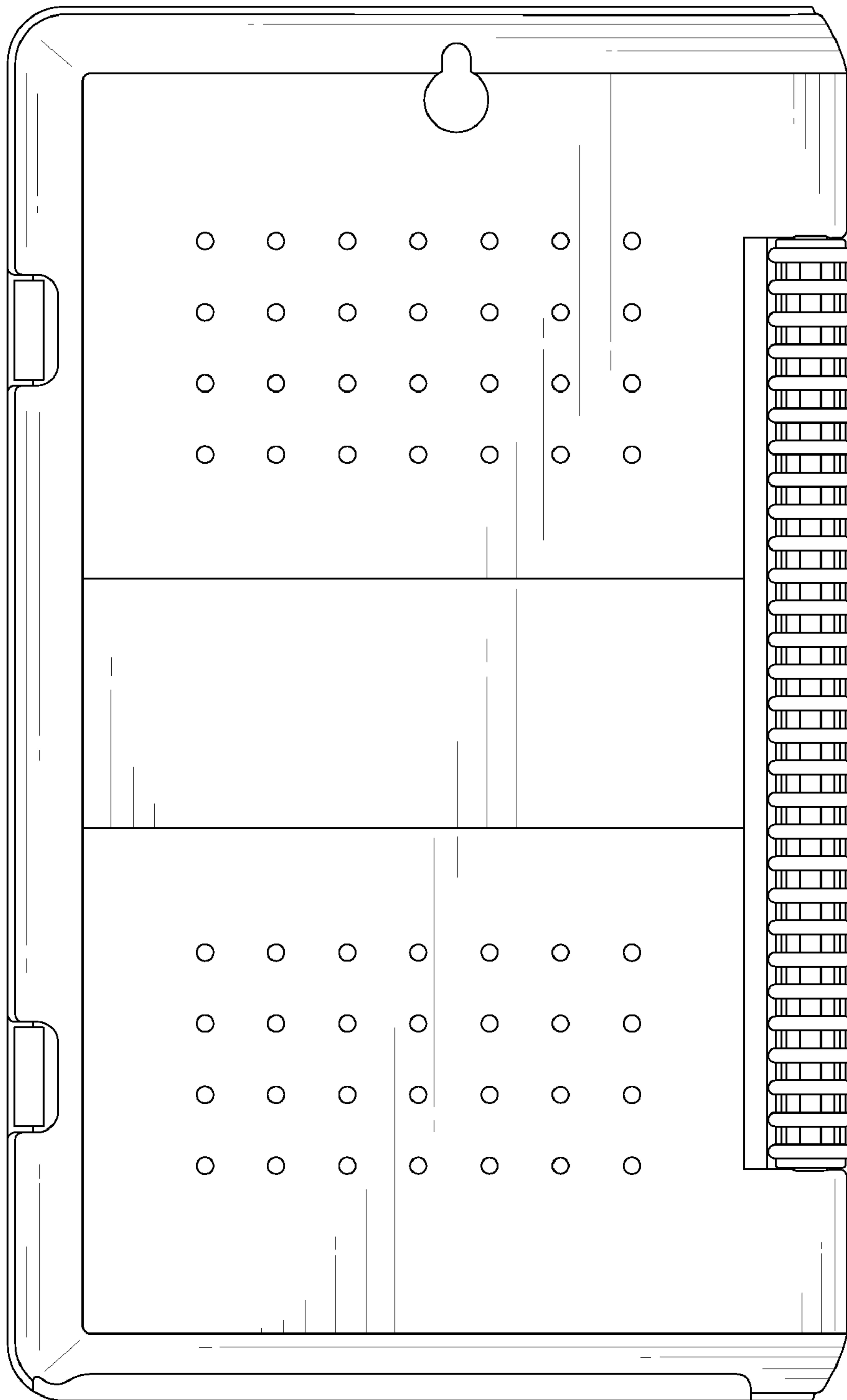


FIG.2

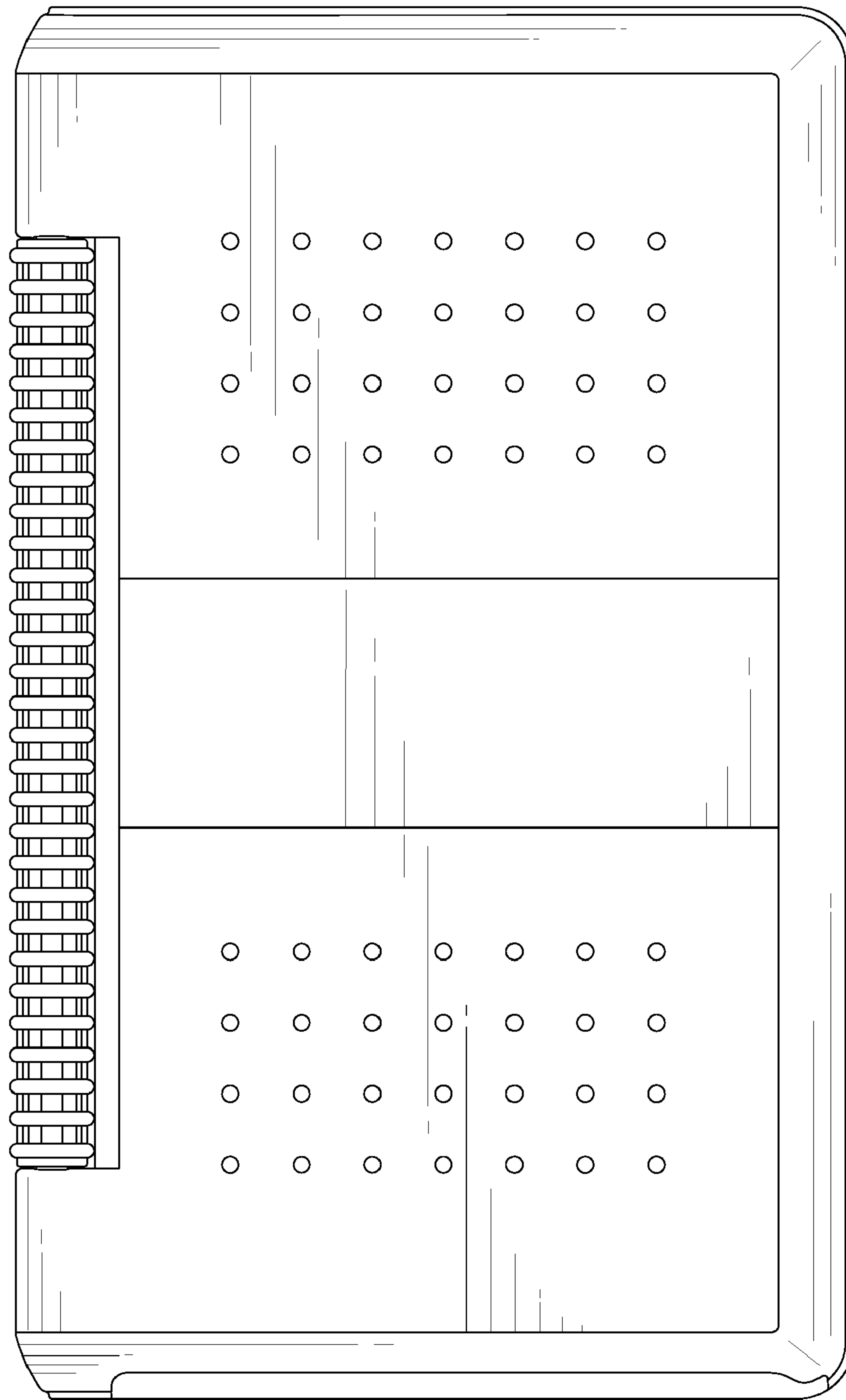


FIG.3

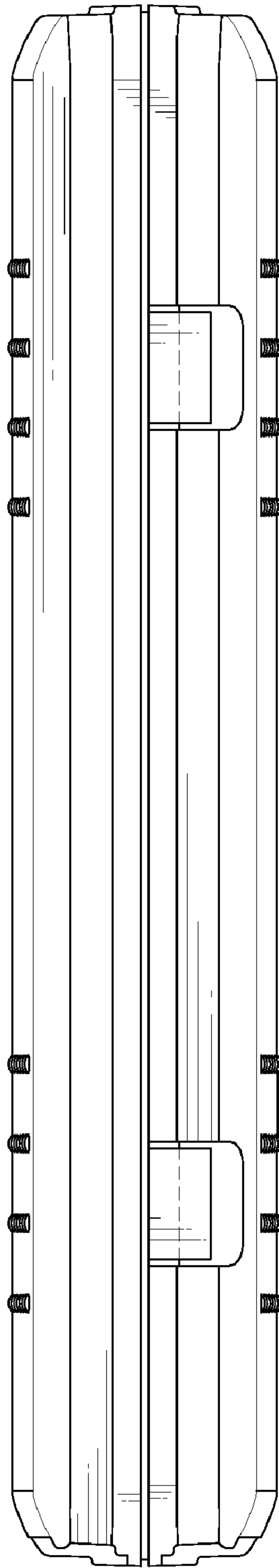


FIG. 4

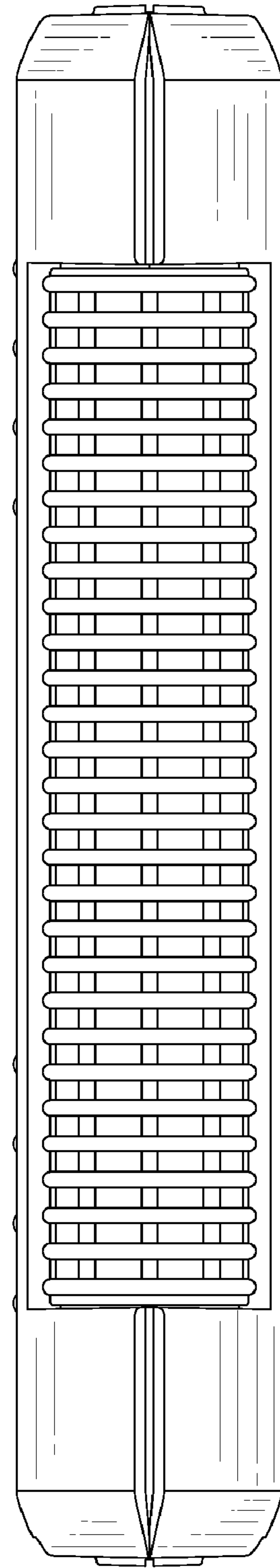


FIG. 5

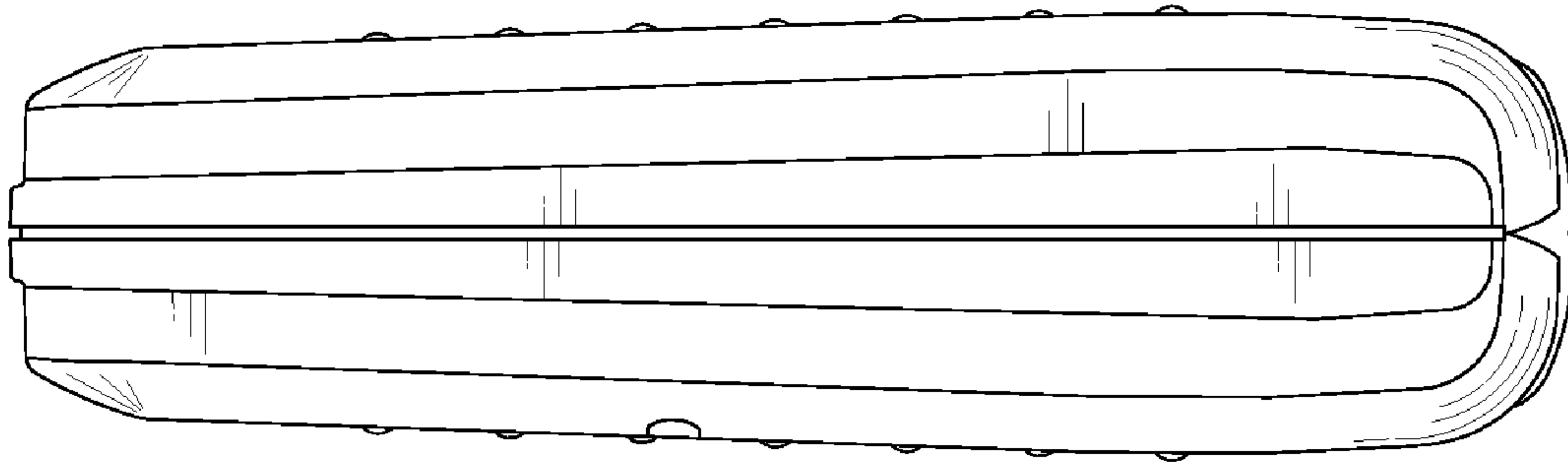


FIG. 6

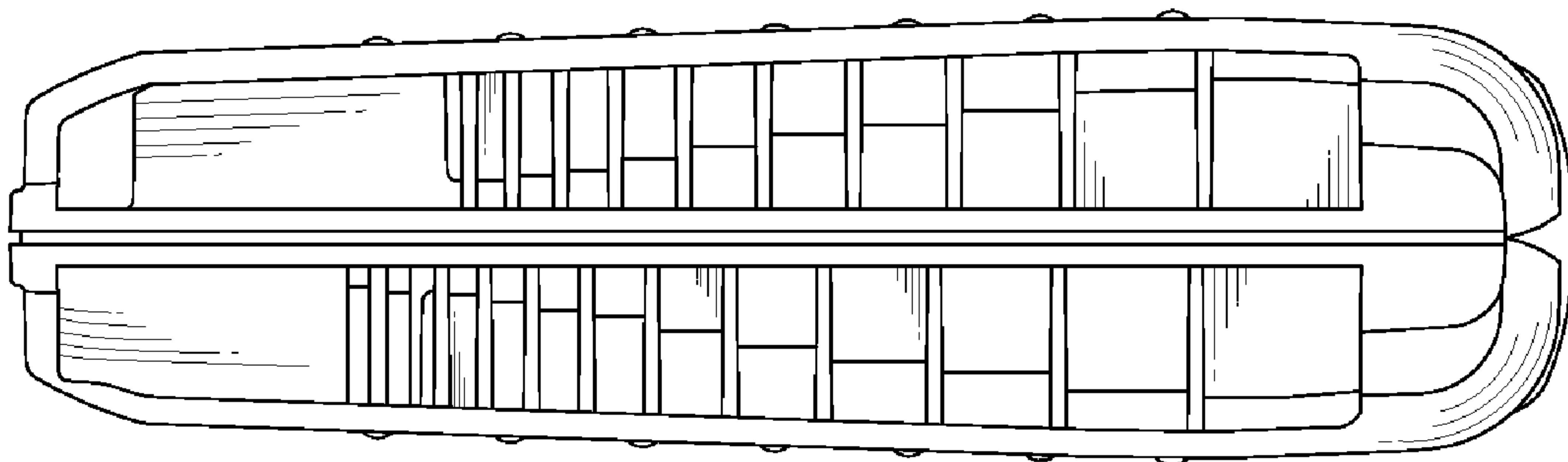


FIG. 7

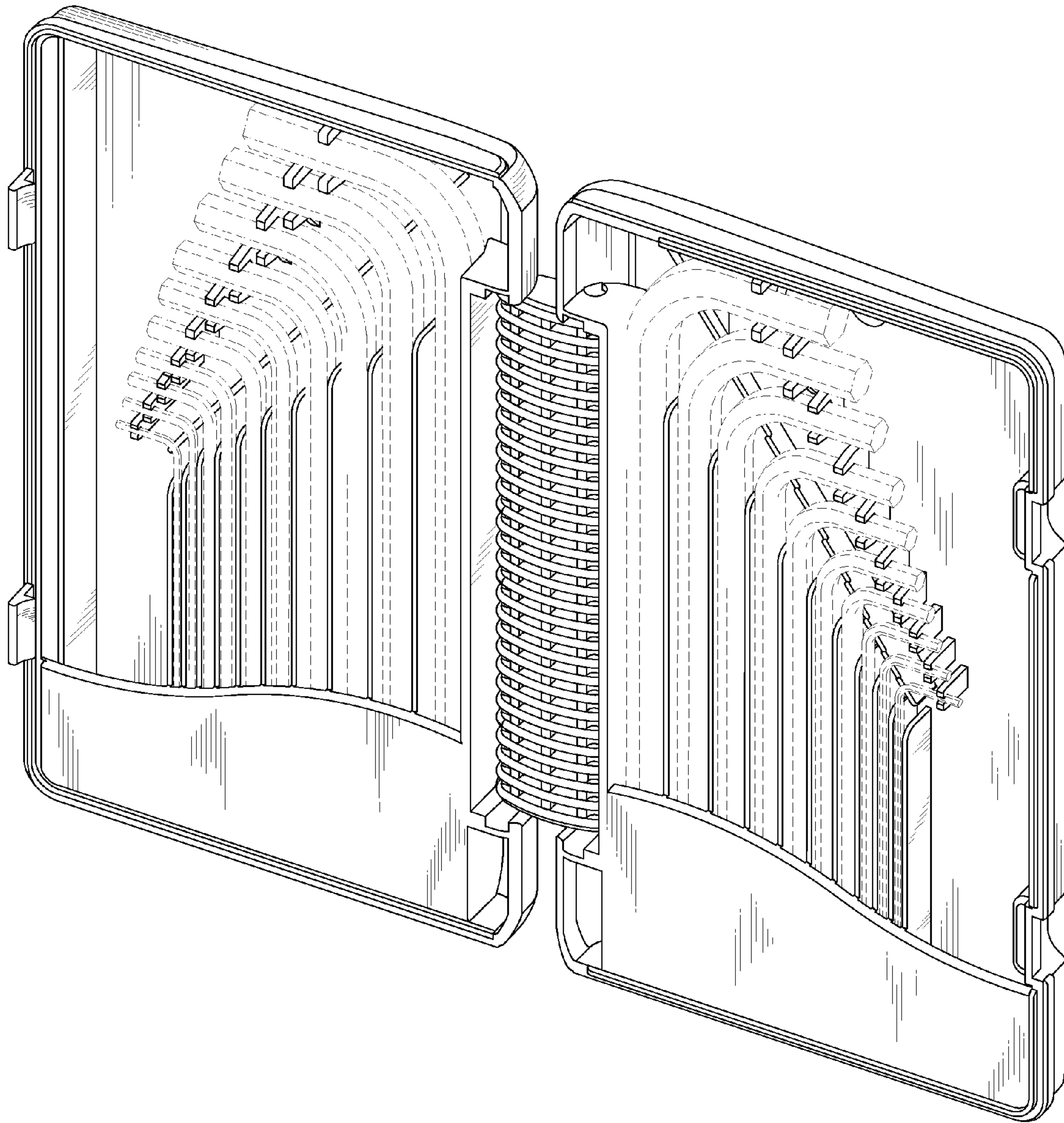


FIG.8