



US00D604510S

(12) **United States Design Patent**
Cho

(10) **Patent No.:** **US D604,510 S**

(45) **Date of Patent:** **** Nov. 24, 2009**

(54) **TOOL BOX**

(76) Inventor: **Yao-Lin Cho**, 235 Chung-Ho Box 8-24,
Taipei (TW)

(**) Term: **14 Years**

(21) Appl. No.: **29/262,020**

(22) Filed: **Jun. 26, 2006**

(51) **LOC (9) Cl.** **03-01**

(52) **U.S. Cl.** **D3/282; D34/905**

(58) **Field of Classification Search** D3/201,
D3/203.2, 203.6-203.8, 273, 276, 282, 294,
D3/905; 206/349, 372-373, 376, 379
See application file for complete search history.

(56) **References Cited**

U.S. PATENT DOCUMENTS

D343,063 S *	1/1994	Chen	D3/282
D440,043 S *	4/2001	Miller et al.	D3/282
D471,360 S *	3/2003	Huang	D3/282
D478,209 S *	8/2003	Chen	D3/282
D516,311 S *	3/2006	Lai	D3/282
7,059,472 B2 *	6/2006	Lai	206/372

D529,716 S * 10/2006 Wang D3/282
2004/0206648 A1 * 10/2004 Lai 206/372

* cited by examiner

Primary Examiner—Philip S. Hyder
Assistant Examiner—R. L. [Ulm] Cody

(57) **CLAIM**

The ornamental design for a tool box, as shown and described.

DESCRIPTION

FIG. 1 is a perspective view of a tool box showing my new design.

FIG. 2 is a front elevational view thereof.

FIG. 3 is a rear elevational view thereof.

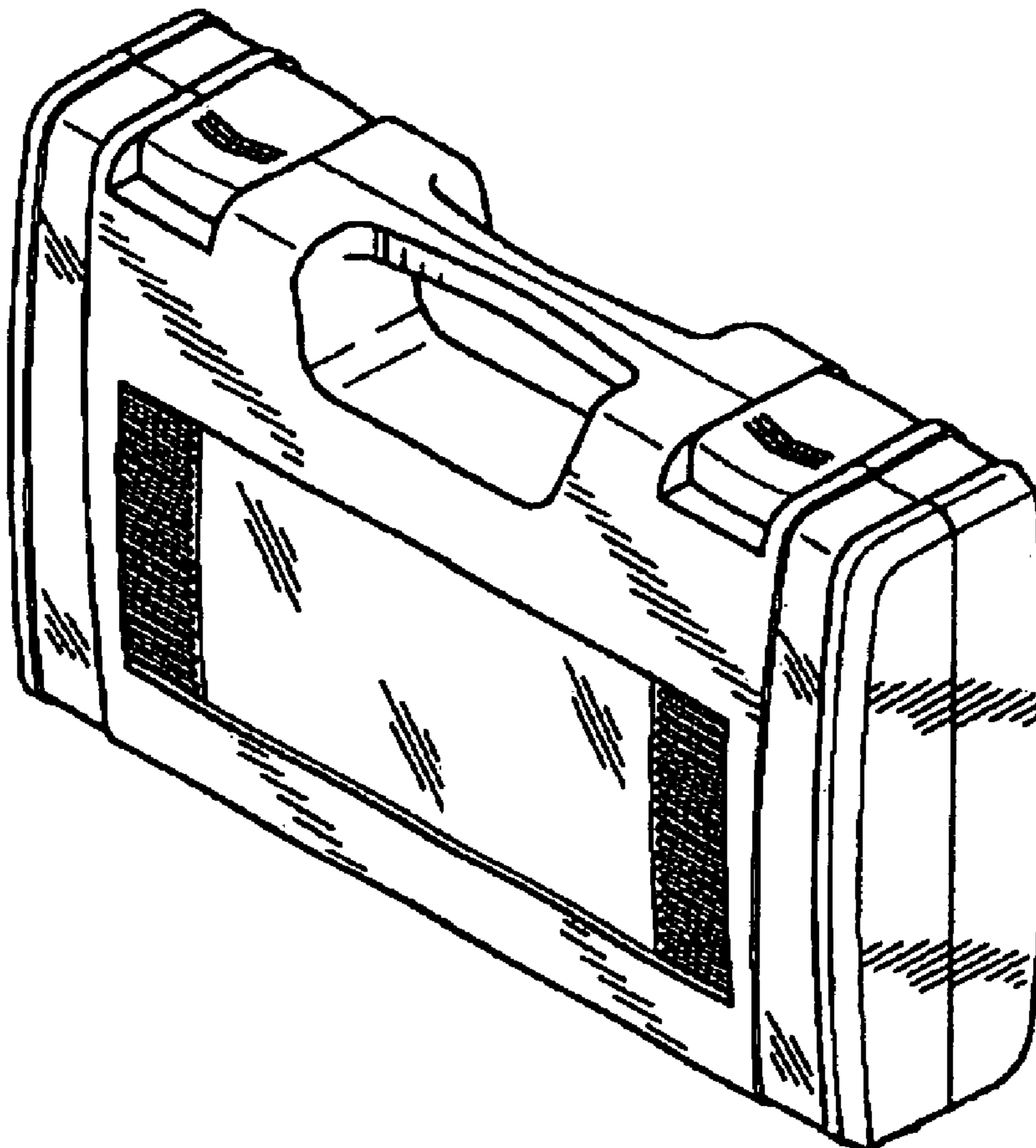
FIG. 4 is a left side view thereof;

FIG. 5 is a right side view thereof.

FIG. 6 is a top plan view thereof; and,

FIG. 7 is a bottom plan view thereof.

1 Claim, 4 Drawing Sheets



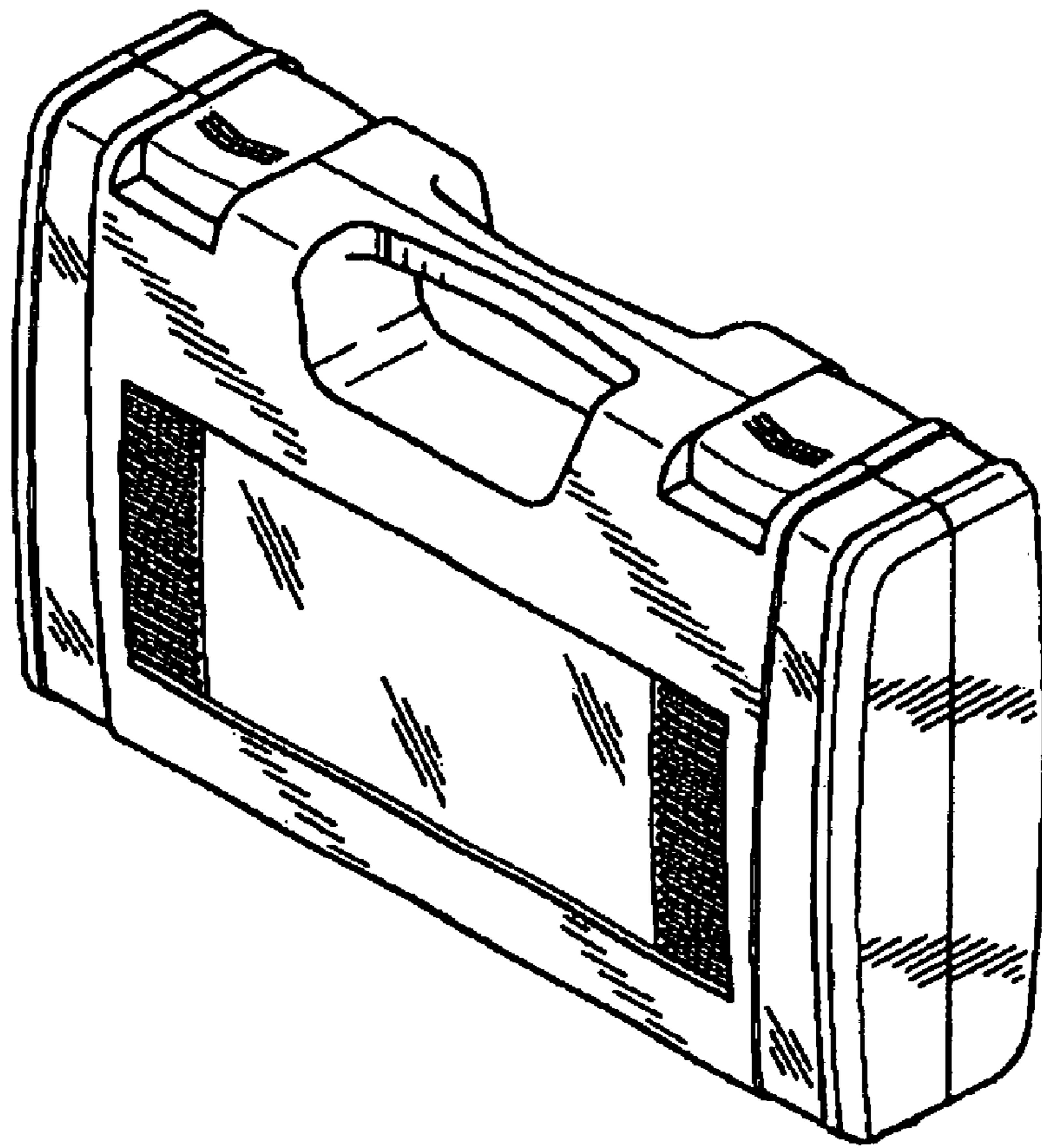


Fig. 1

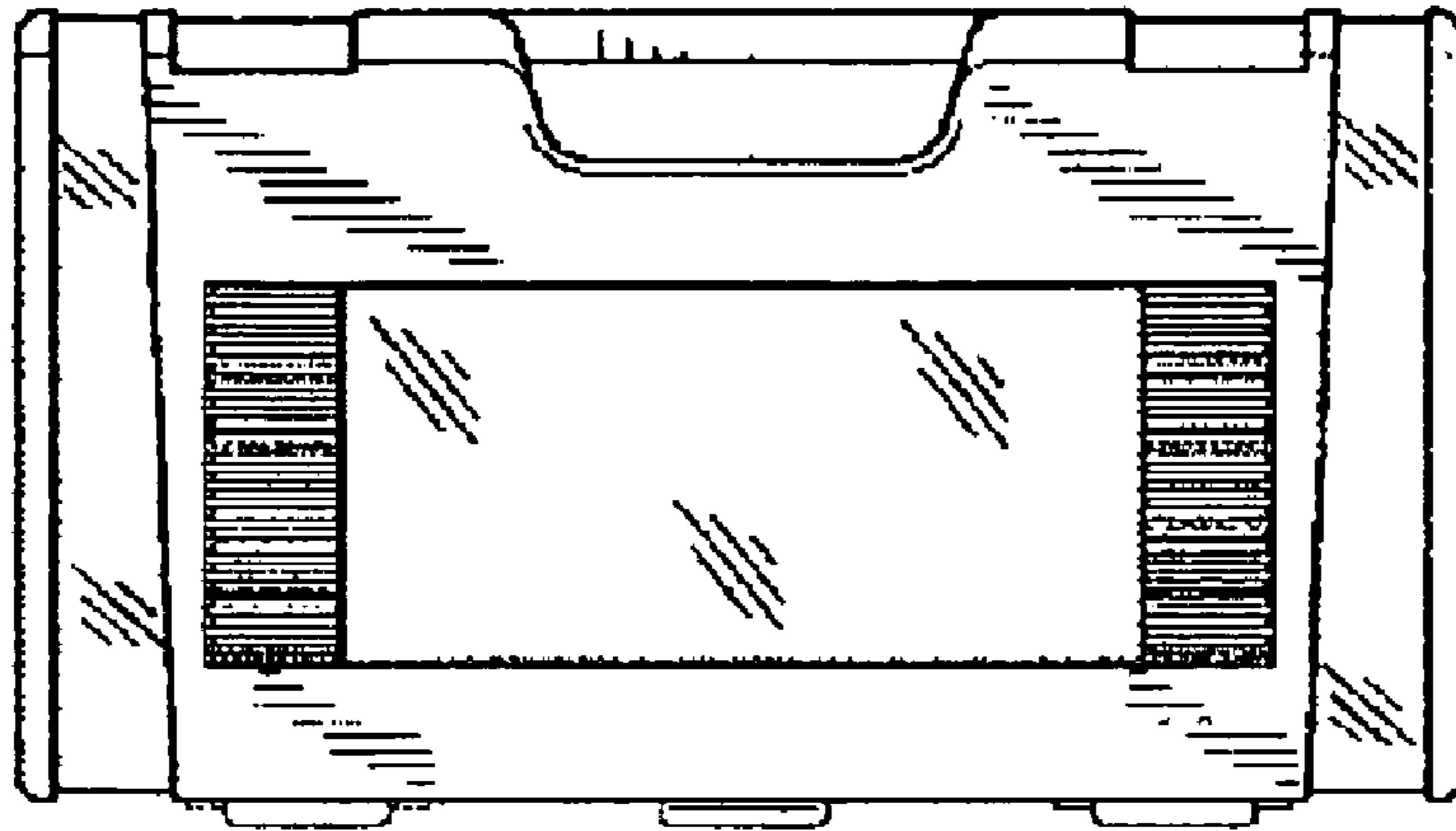


FIG. 2

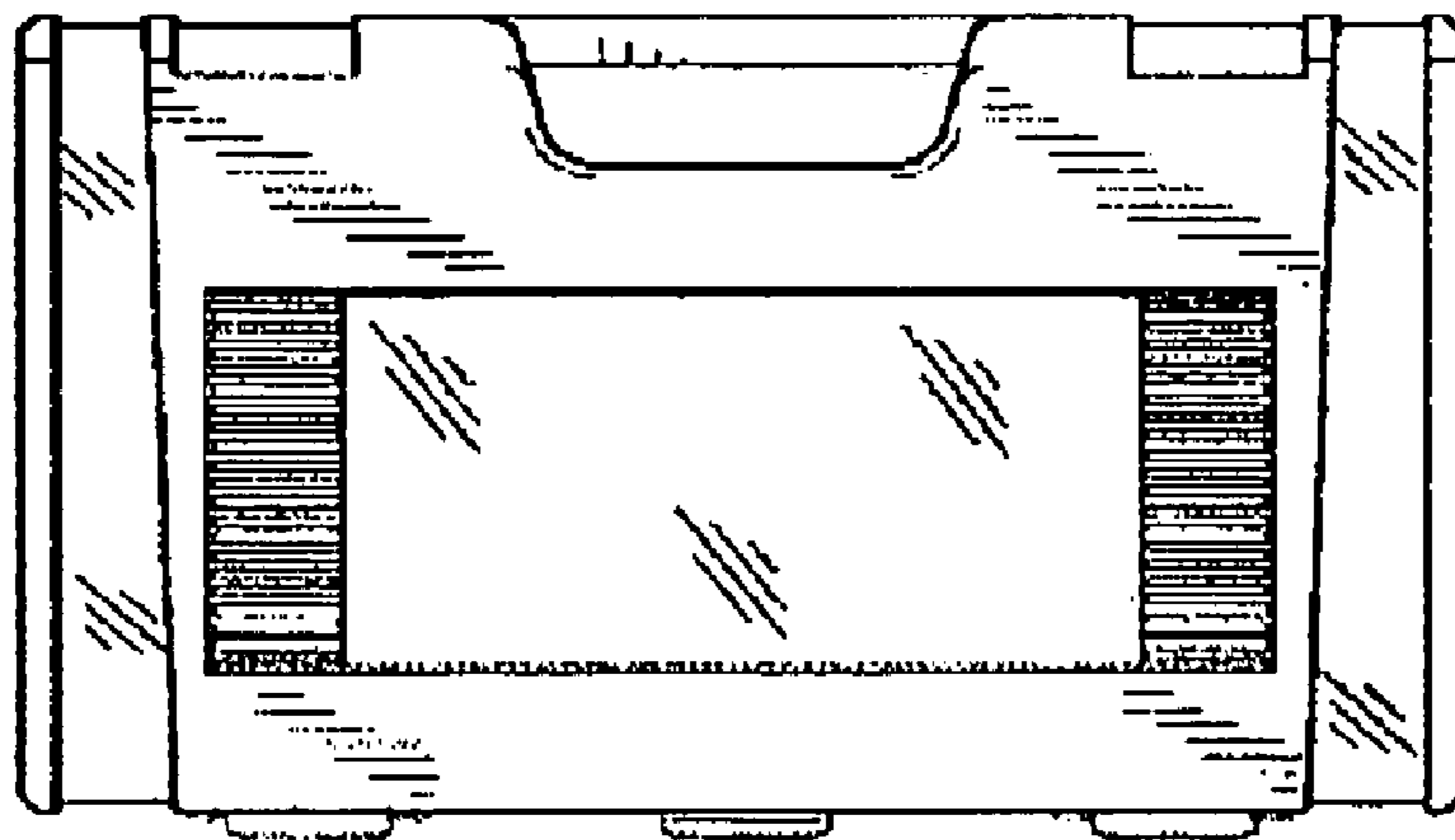


FIG. 3

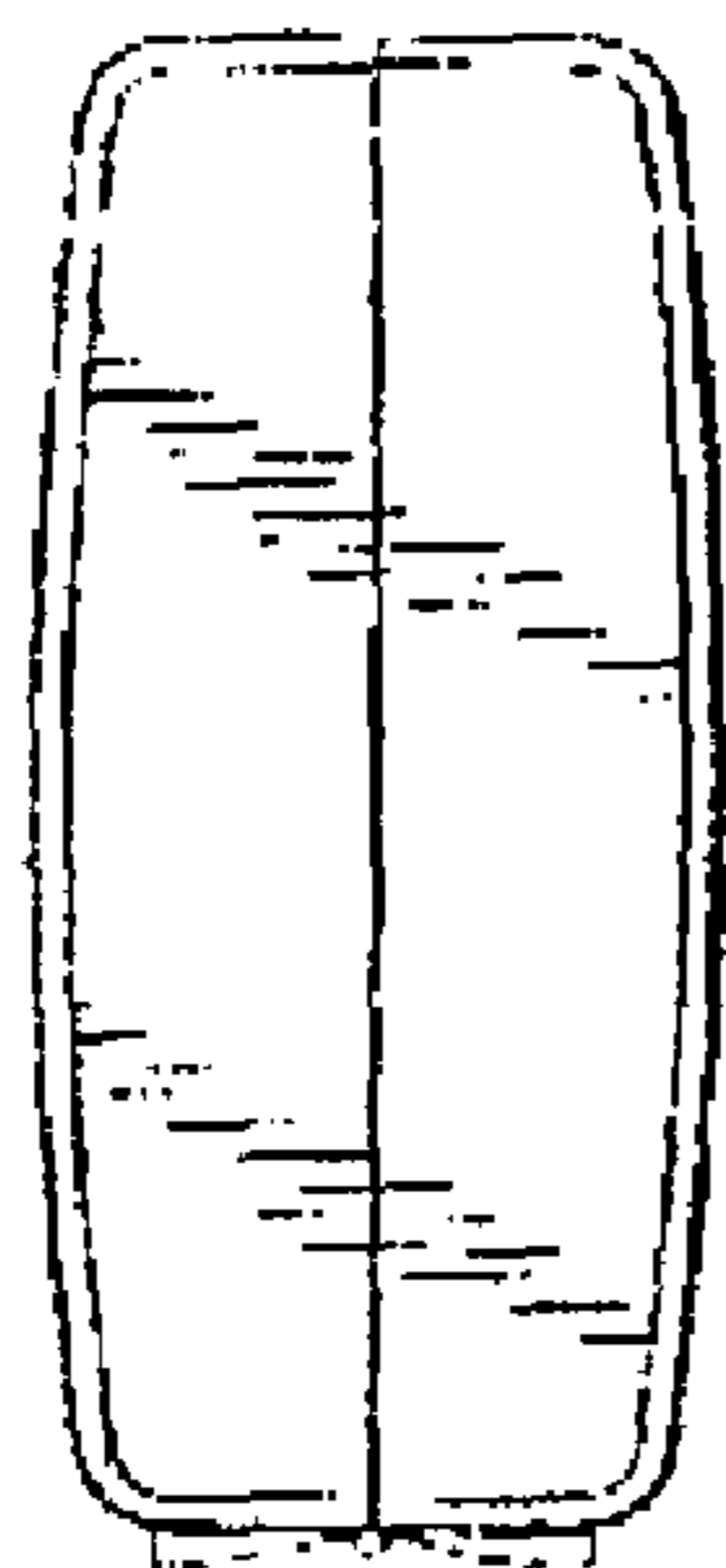


FIG. 4

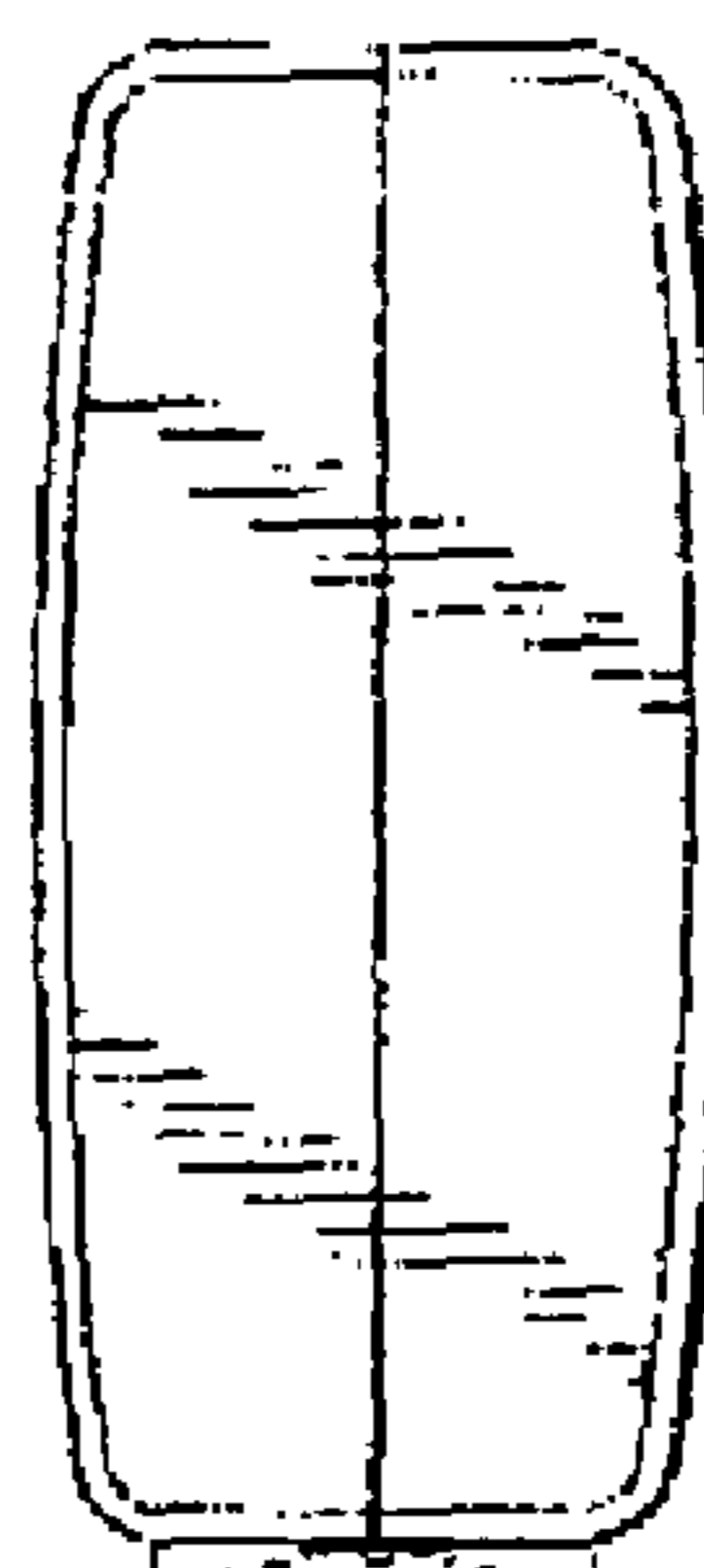


FIG. 5

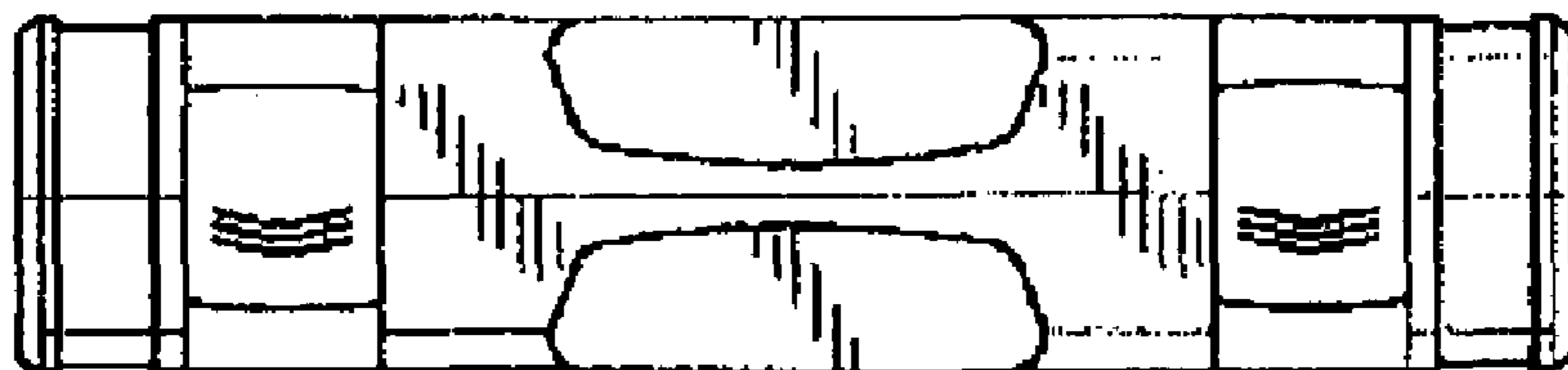


FIG. 6



FIG. 7