



US00D604509S

(12) **United States Design Patent**  
**Andrews**

(10) **Patent No.:** **US D604,509 S**  
(45) **Date of Patent:** **\*\* Nov. 24, 2009**

(54) **MODIFIED GOLF CLUB CARRIER AND SUPPORT**

D461,311 S \* 8/2002 Gharib ..... D3/315  
6,575,513 B2 \* 6/2003 Pikel ..... 294/159  
D491,356 S \* 6/2004 Cameron et al. .... D3/259  
D548,464 S \* 8/2007 Lin ..... D3/315

(75) Inventor: **Richard Andrews, Ayr (GB)**

(73) Assignee: **Rangeholder Limited, Ayr (GB)**

(\*\*) Term: **14 Years**

(21) Appl. No.: **29/319,563**

(22) Filed: **Jun. 11, 2008**

(51) **LOC (9) Cl.** ..... **03-01**

(52) **U.S. Cl.** ..... **D3/259; D3/282**

(58) **Field of Classification Search** ..... D3/201,  
D3/254, 259, 273, 282, 315, 328, 328.1, 904;  
D21/753, 754; 206/315.1-315.2; 294/137,  
294/165

See application file for complete search history.

(56) **References Cited**

**U.S. PATENT DOCUMENTS**

1,563,816	A *	12/1925	Worthington	.....	206/315.2
2,486,827	A *	11/1949	Duncan	.....	294/154
D193,011	S *	6/1962	Alston	.....	D3/259
3,997,053	A *	12/1976	Bondhus	.....	206/377
4,154,274	A *	5/1979	Adamson	.....	206/315.2
4,311,264	A *	1/1982	Hurmence	.....	224/257
4,317,477	A *	3/1982	Baptista	.....	294/137
D266,373	S *	10/1982	Baptista	.....	D3/259
4,371,022	A *	2/1983	Goulart	.....	294/137
4,458,935	A *	7/1984	Fields, Jr.	.....	294/147
D316,182	S *	4/1991	Witchger	.....	D3/255
D355,826	S *	2/1995	Chow	.....	D3/315
5,394,984	A *	3/1995	Aiba	.....	206/377
D357,578	S *	4/1995	Brondum et al.	.....	D3/259
D365,681	S *	1/1996	Chow	.....	D3/315
5,954,379	A *	9/1999	Pikel	.....	294/159
6,032,796	A *	3/2000	Hopper et al.	.....	206/377

**OTHER PUBLICATIONS**

RangeHolder. Downloaded Aug. 14, 2008 at <http://www.rangeholder.com/prodlist.asp?idCategory=65>.\*

\* cited by examiner

*Primary Examiner*—Philip S Hyder

*Assistant Examiner*—Roselynn Cody

(74) *Attorney, Agent, or Firm*—Scott W. Higdon; John F. Salazar; Middleton Reutlinger

(57) **CLAIM**

The ornamental design for a modified golf club carrier and support, as shown and described.

**DESCRIPTION**

FIG. 1 is a top perspective view of the modified golf club carrier and support of the present invention;

FIG. 2 is a bottom view of the design of the present invention;

FIG. 3 is a right side view of the design of the present invention;

FIG. 4 is a left side view of the design of the present invention;

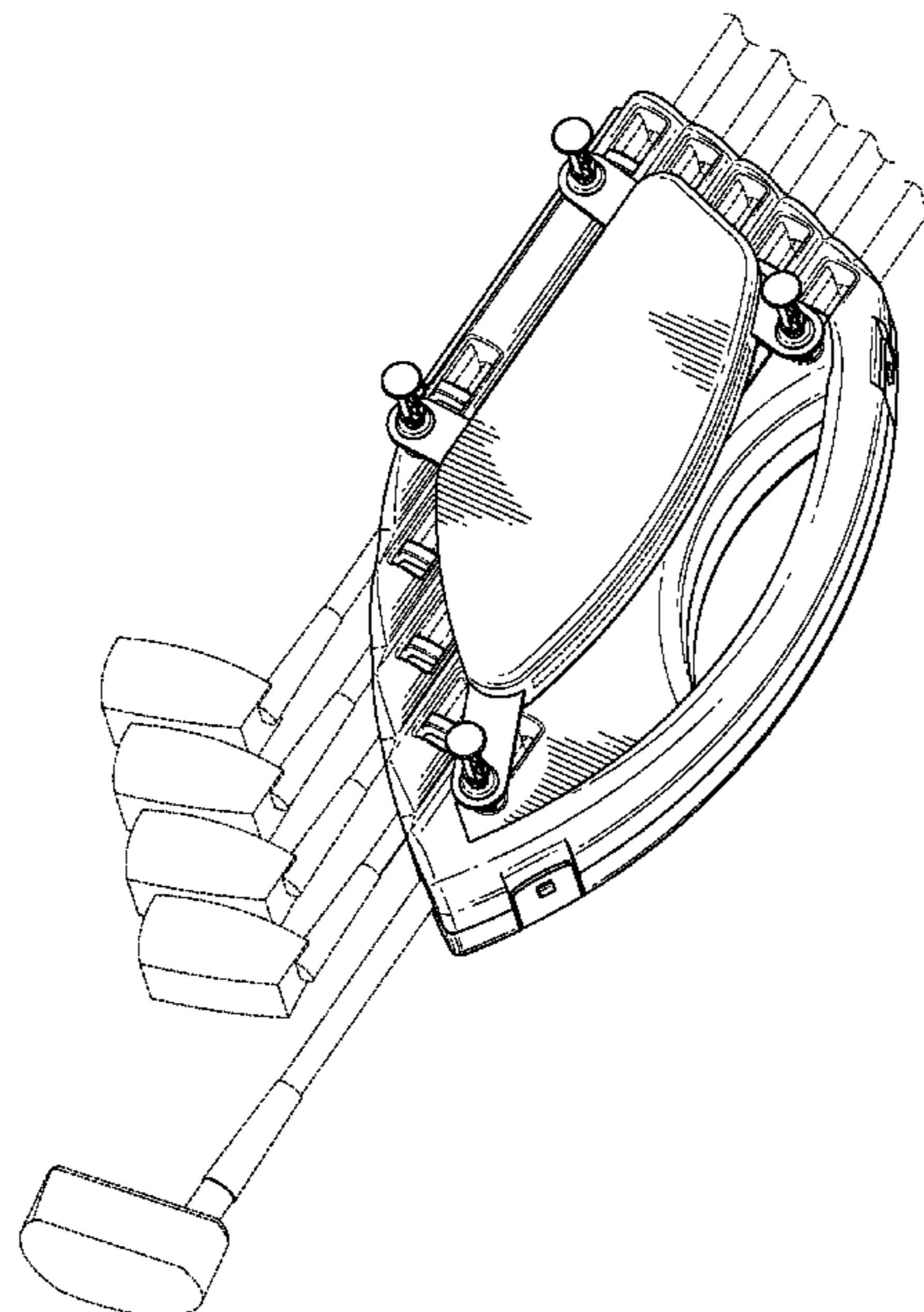
FIG. 5 is a rear view of the design of the present invention;

FIG. 6 is a front view of the design of the present invention; and,

FIG. 7 is a top view of the design of the present invention.

The broken lines showing environmental structure are for illustrative purposes only and form no part of the claimed design.

**1 Claim, 6 Drawing Sheets**



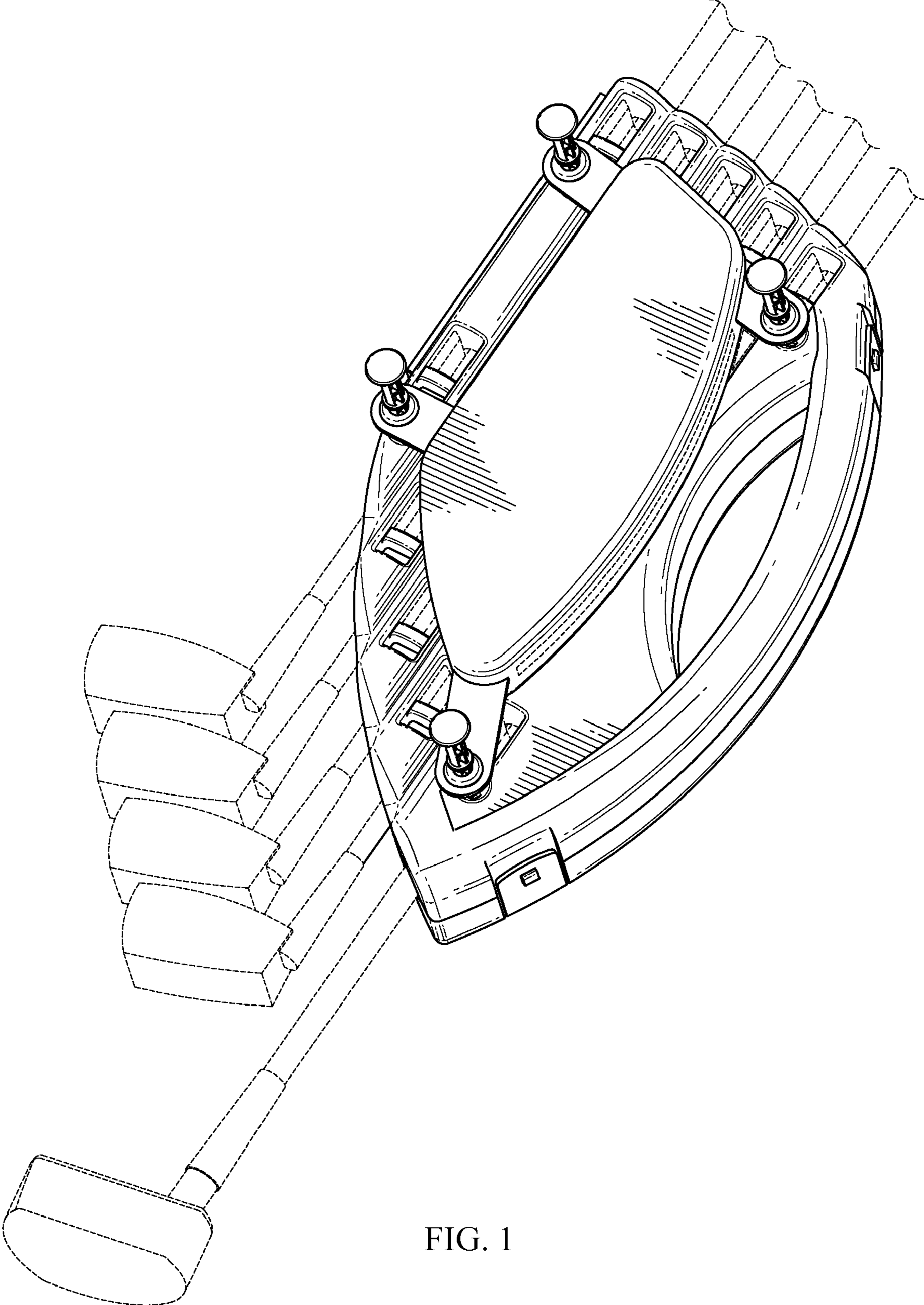


FIG. 1

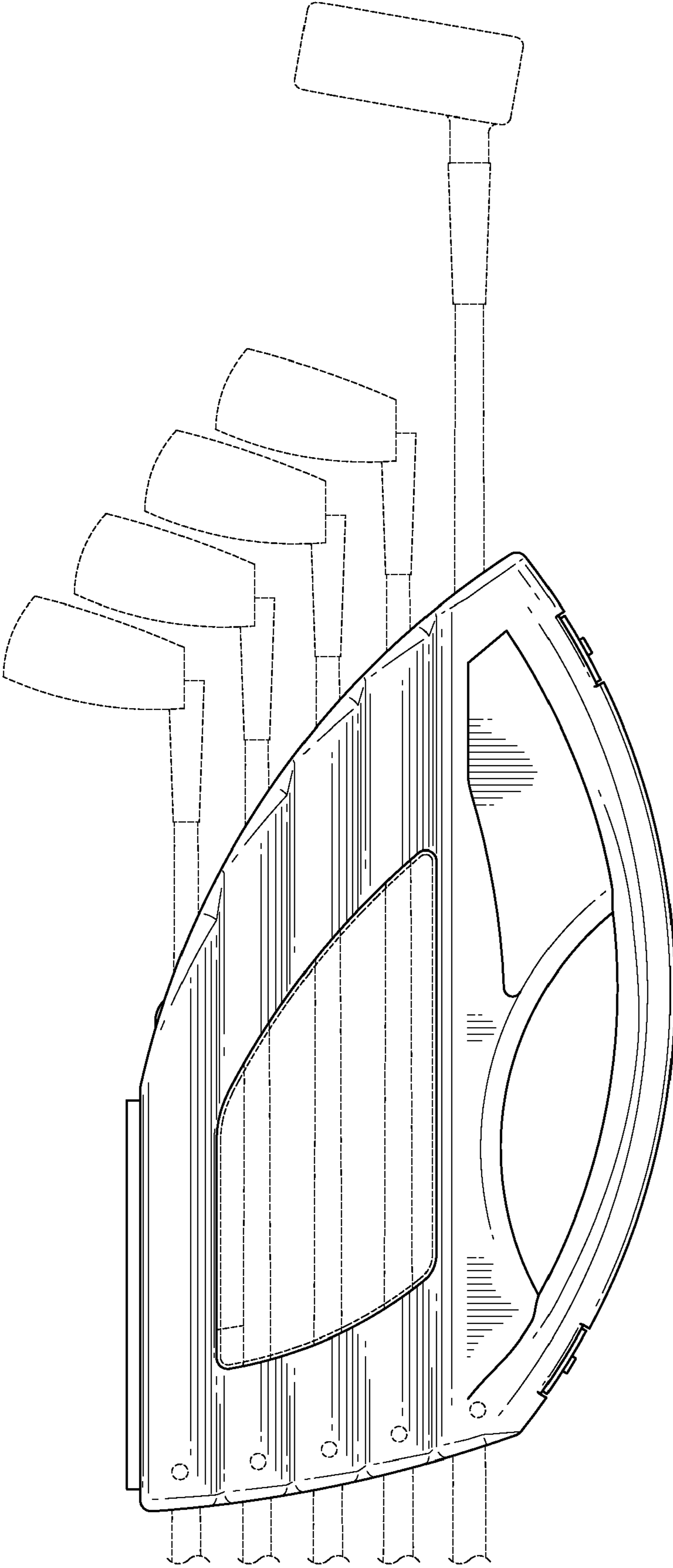


FIG. 2

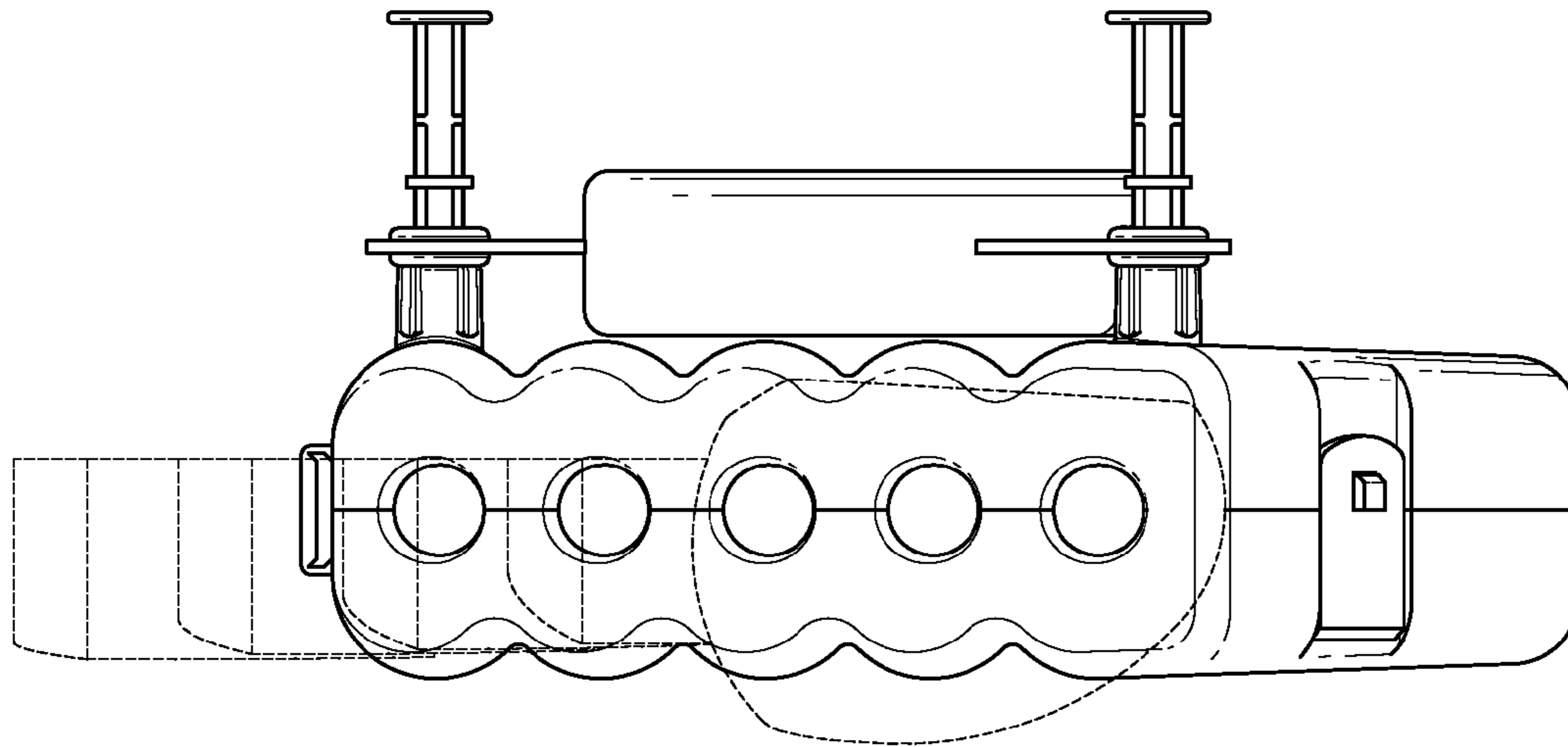


FIG. 4

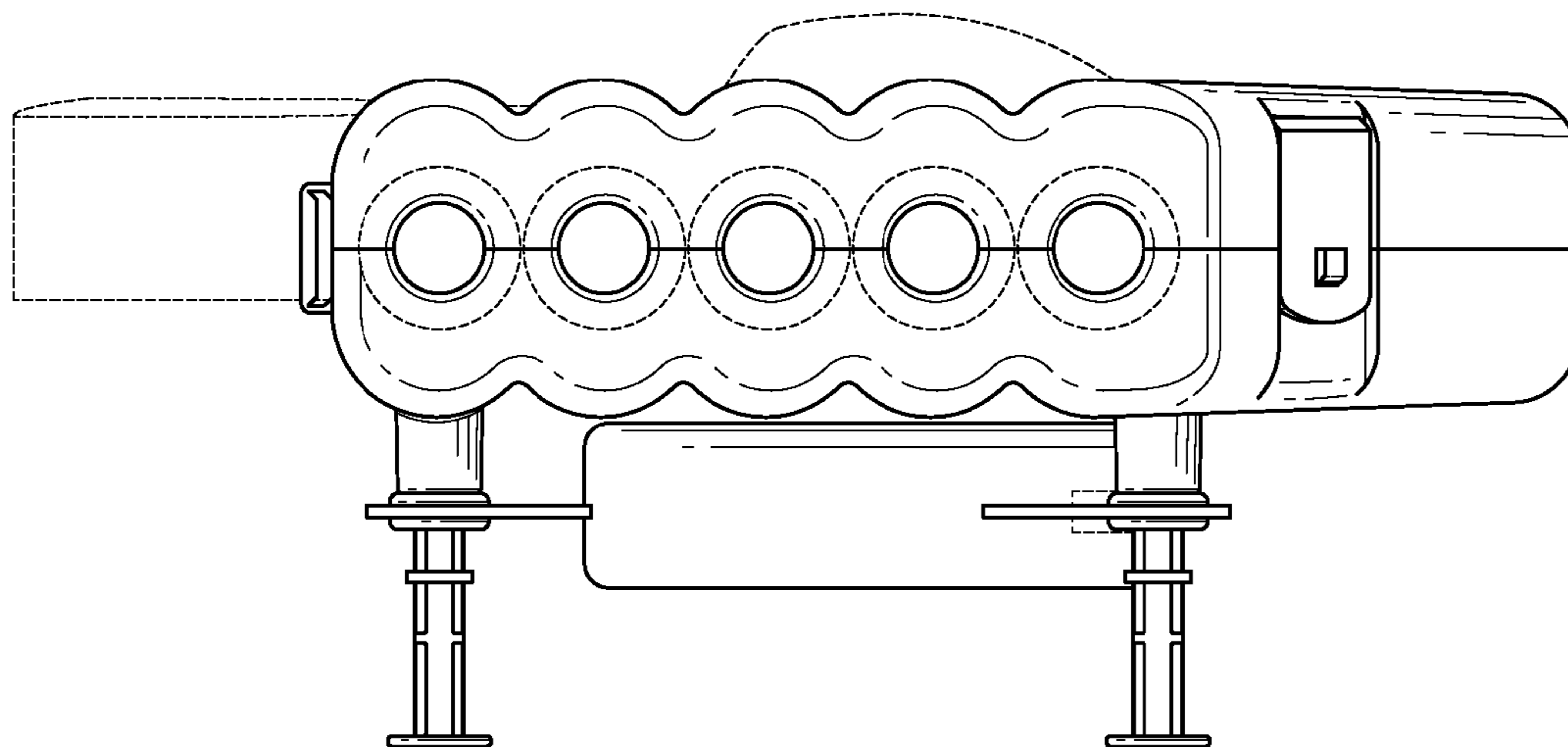


FIG. 3



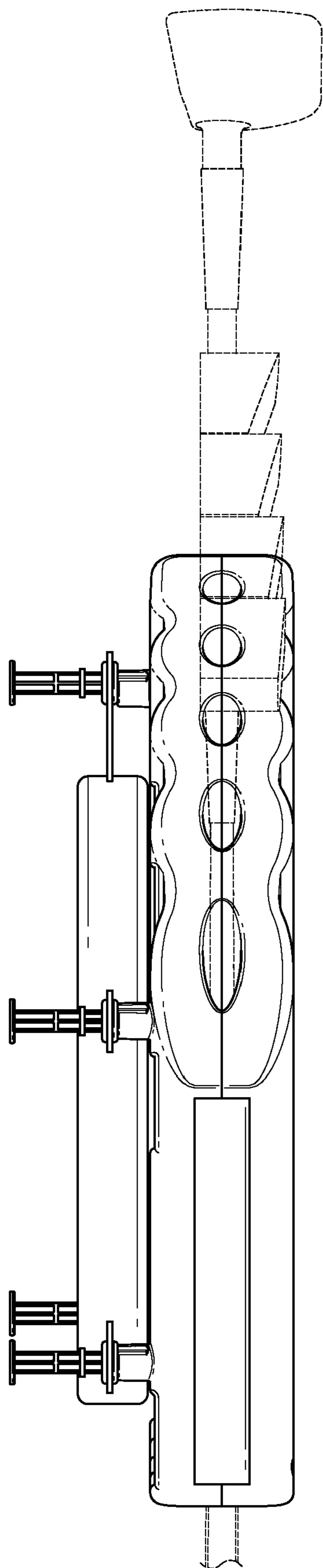


FIG. 5

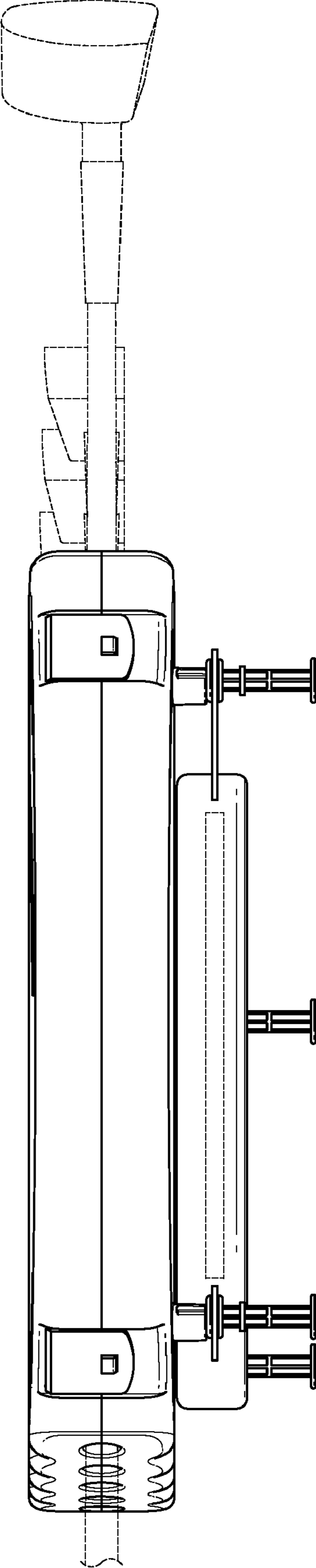


FIG. 6

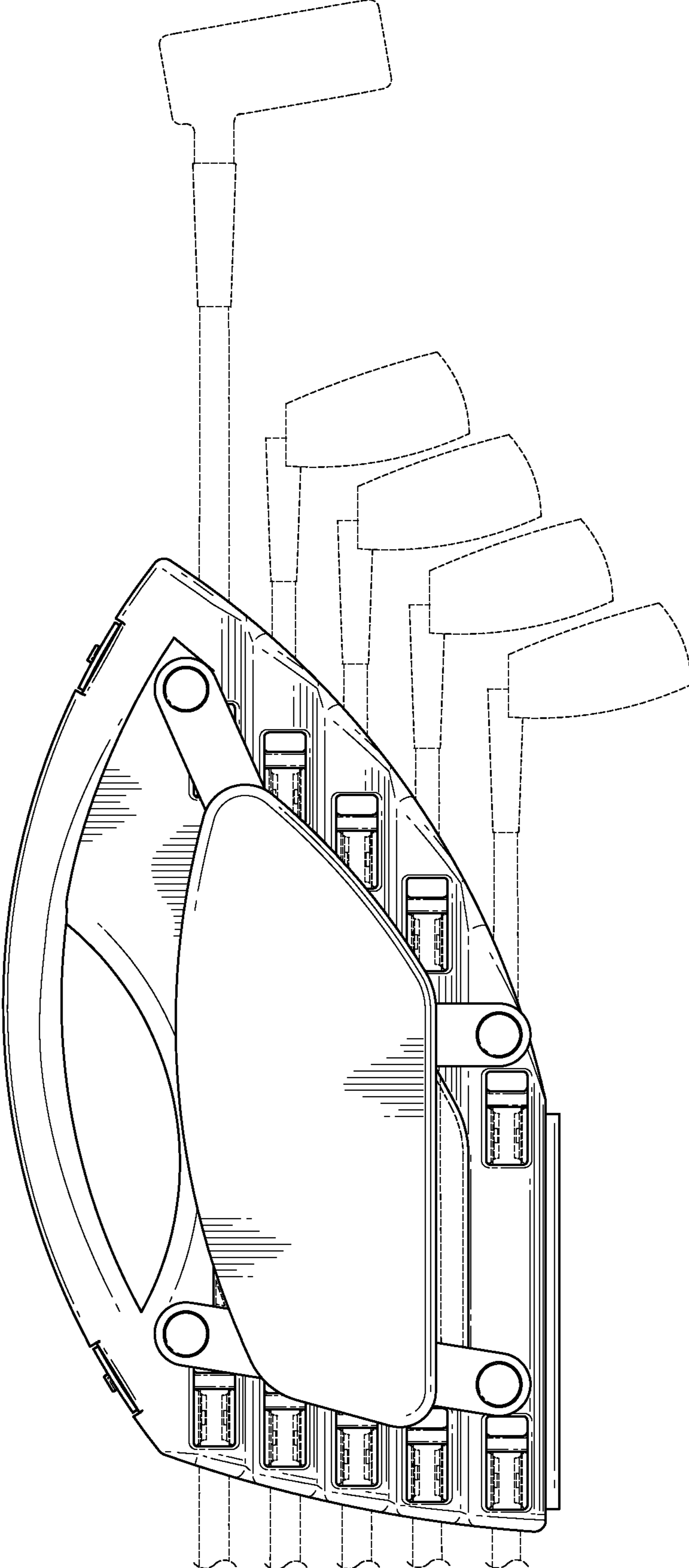


FIG. 7