

US00D604503S

(12) **United States Design Patent**  
**Patadia et al.**

(10) **Patent No.:** **US D604,503 S**

(45) **Date of Patent:** **\*\* Nov. 24, 2009**

(54) **BAG FOR A BREASTPUMP**

(75) Inventors: **Sona N. Patadia**, Chicago, IL (US);  
**Lisa A. Yanz**, Chicago, IL (US)

(73) Assignee: **Medela Holding AG** (CH)

(\*\*) Term: **14 Years**

(21) Appl. No.: **29/333,124**

(22) Filed: **Mar. 3, 2009**

6,702,167	B2 *	3/2004	Annis .....	224/576
6,779,638	B2	8/2004	Renz et al.	
D507,111	S	7/2005	Renz et al.	
D511,891	S	11/2005	Suppangig	
7,150,346	B2	12/2006	Renz et al.	
D545,058	S	6/2007	Kiely et al.	
D548,455	S *	8/2007	Aliberti et al. ....	D3/216
D557,009	S *	12/2007	Elmberg et al. ....	D3/217
D560,356	S	1/2008	Greiner	
D569,099	S *	5/2008	Gossett .....	D3/217
2002/0139820	A1 *	10/2002	Godshaw et al. ....	224/153
2005/0045673	A1 *	3/2005	Godshaw et al. ....	224/153

\* cited by examiner

**Related U.S. Application Data**

(62) Division of application No. 29/280,174, filed on May 18, 2007, now Pat. No. Des. 587,895.

(51) **LOC (9) Cl.** ..... **03-01**

(52) **U.S. Cl.** ..... **D3/217**

(58) **Field of Classification Search** ..... D3/201,  
D3/215-217, 229, 233, 276, 283, 315, 327;  
224/643, 652-653, 657, 576

See application file for complete search history.

(56) **References Cited**

**U.S. PATENT DOCUMENTS**

D249,594	S *	9/1978	Stewart .....	D3/217
4,961,522	A	10/1990	Weber	
D340,351	S *	10/1993	Wrath .....	D3/217
5,632,429	A *	5/1997	Cantwell .....	224/630
D390,004	S	2/1998	Tawil	
D417,782	S	12/1999	Tawil	
6,213,268	B1	4/2001	Dancyger	
D446,008	S *	8/2001	Schulze .....	D3/216
D451,274	S *	12/2001	Kegels .....	D3/217
D456,601	S *	5/2002	Kegels .....	D3/217
D457,306	S *	5/2002	Szyf .....	D3/217
D457,307	S *	5/2002	Pukall et al. ....	D3/217
D461,048	S *	8/2002	Blanking .....	D3/216
D485,678	S *	1/2004	Haro .....	D3/217

*Primary Examiner*—T. Chase Nelson

*Assistant Examiner*—Kathleen M Sims

(74) *Attorney, Agent, or Firm*—McDonnell Boehnen Hulbert & Berghoff LLP

(57) **CLAIM**

The ornamental design for a bag for a breastpump, as shown and described.

**DESCRIPTION**

FIG. 1 is a perspective view of a bag for a breastpump showing our new design;

FIG. 2 is a front elevational view thereof;

FIG. 3 is a rear elevational view thereof;

FIG. 4 is a left side elevational view thereof;

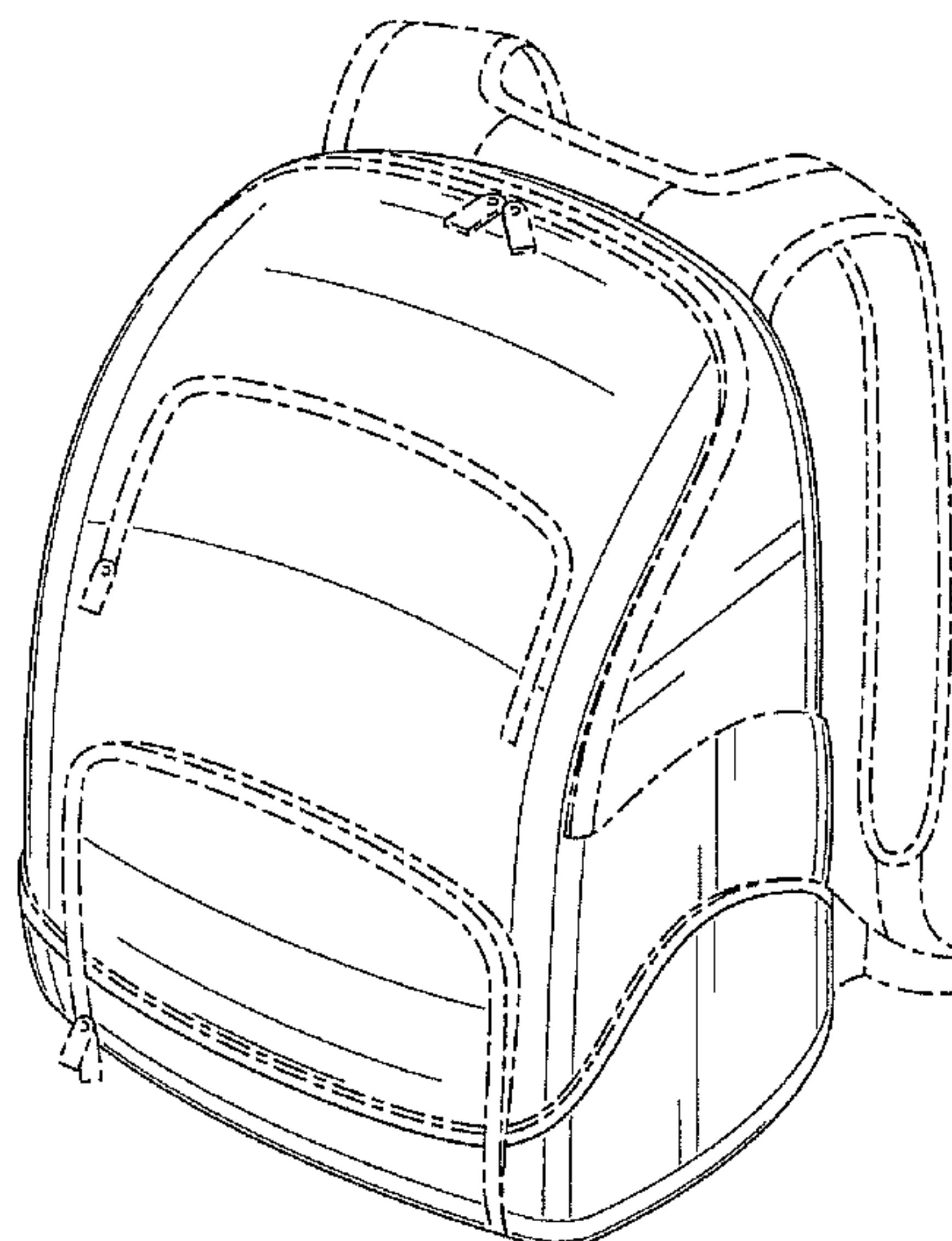
FIG. 5 is a right side elevational view thereof;

FIG. 6 is a top plan view thereof; and,

FIG. 7 is a bottom plan view thereof.

The broken line showing of details including handles, trim, and zipper pull is included for the purpose of illustrating environmental portions of the bag for a breastpump and forms no part of the claimed design.

**1 Claim, 6 Drawing Sheets**



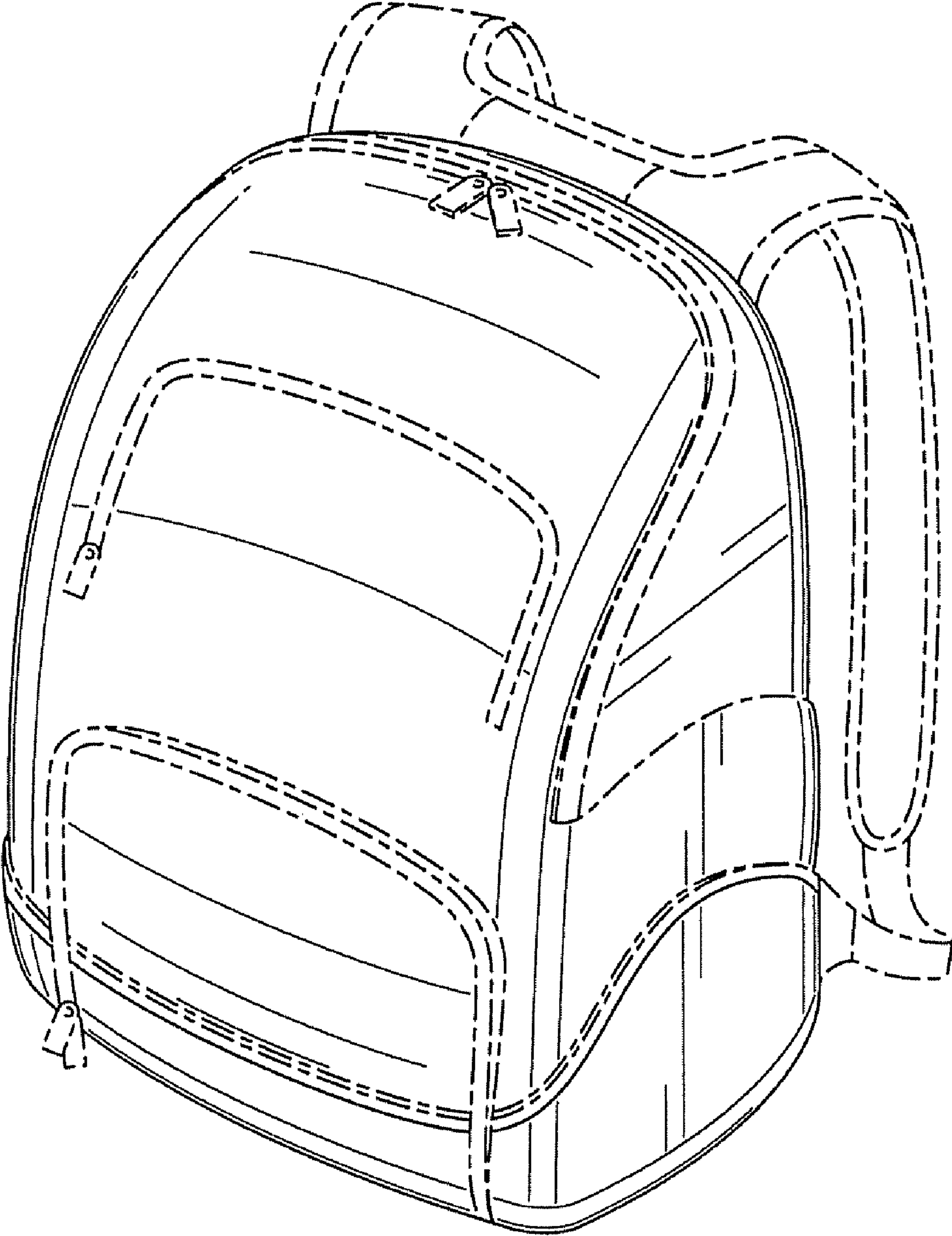


FIG. 1

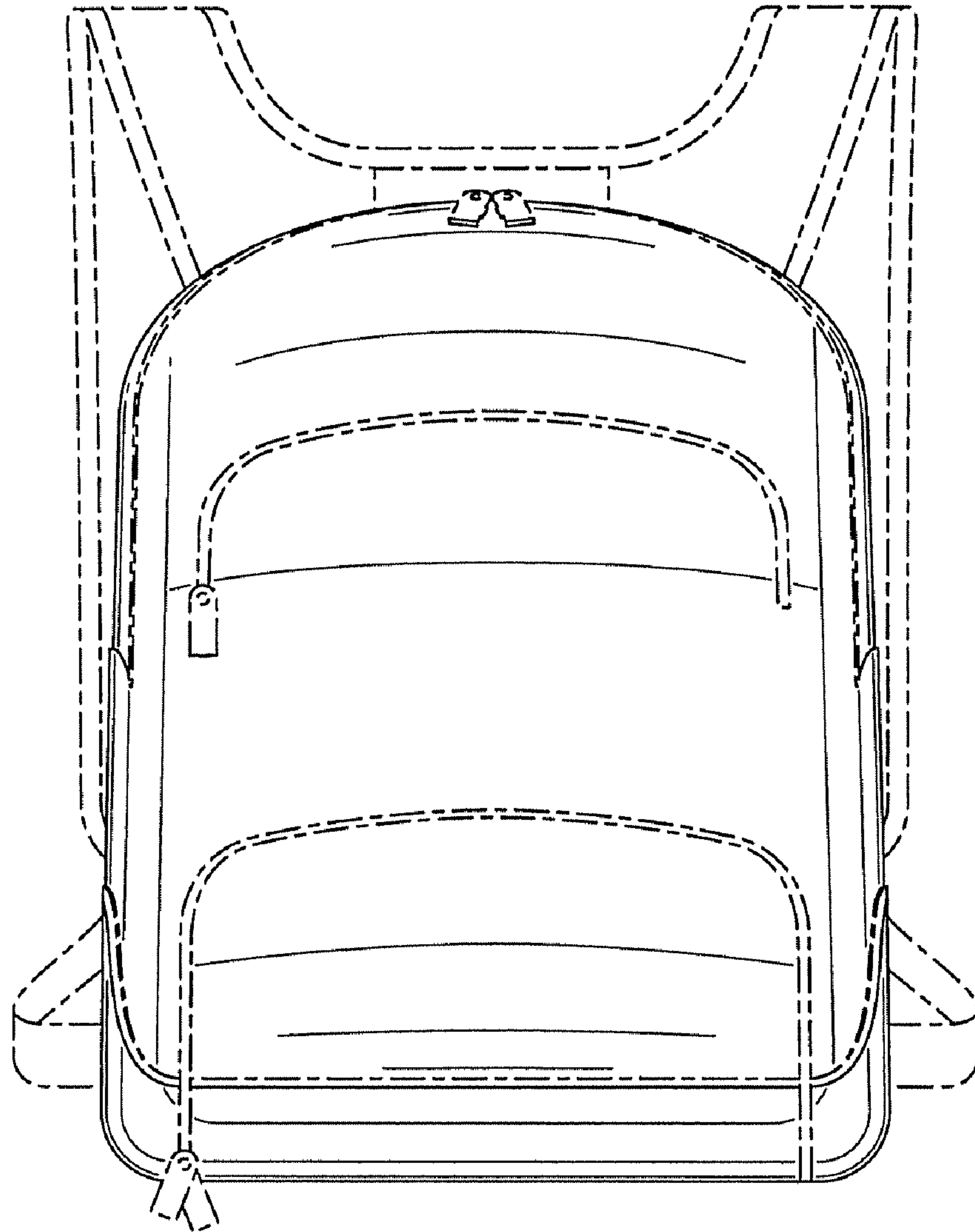


FIG. 2

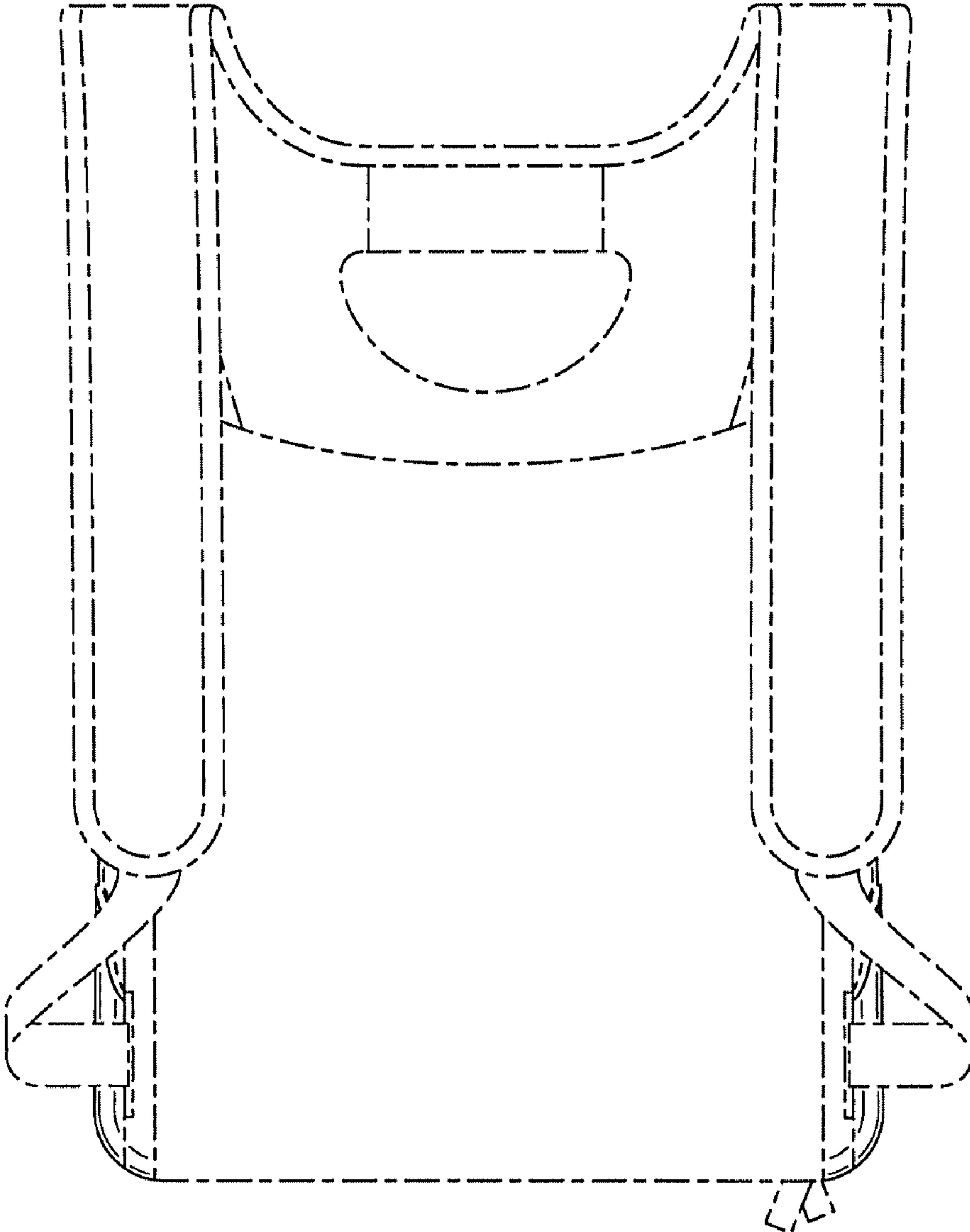


FIG. 3

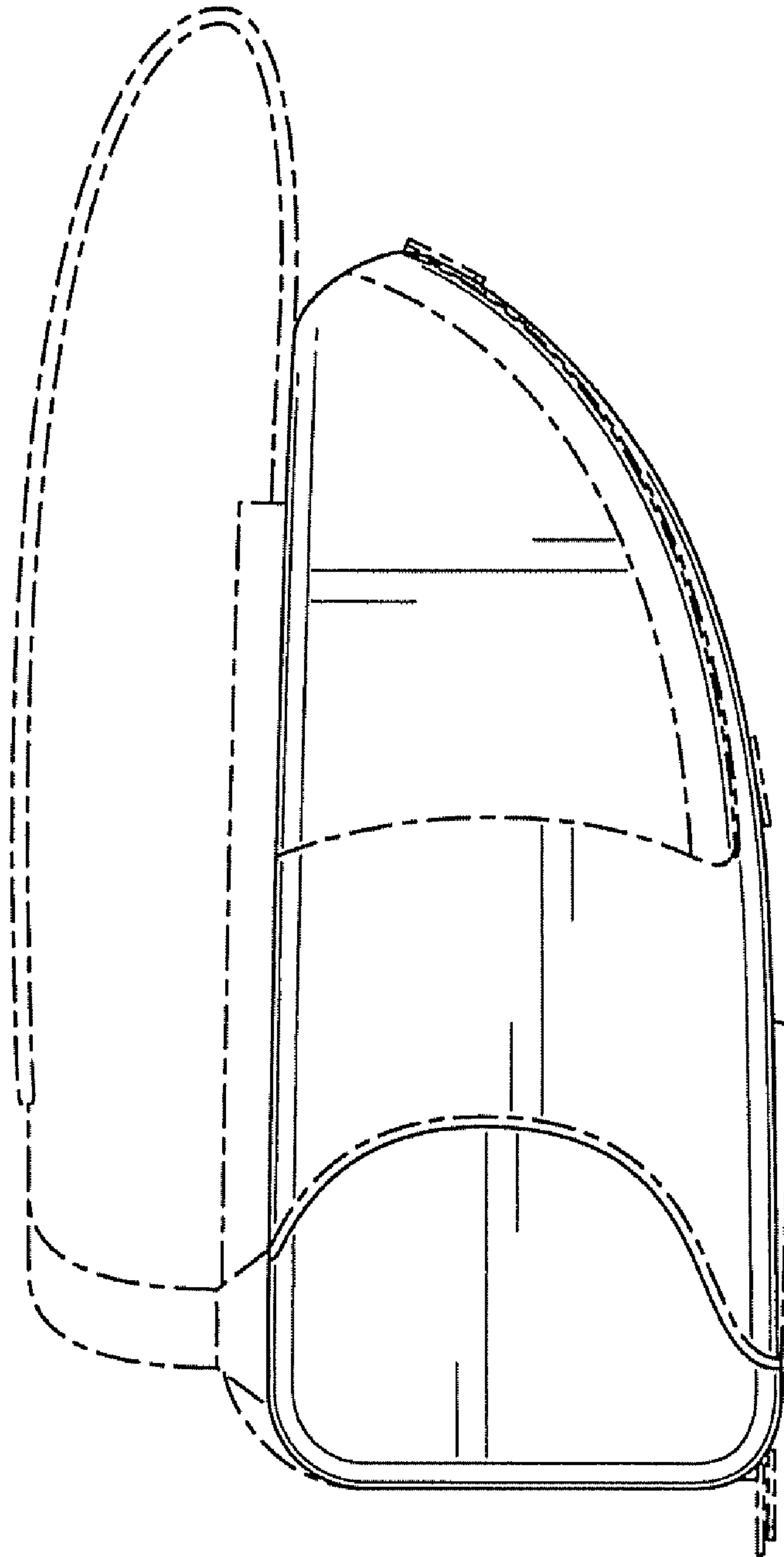


FIG. 4



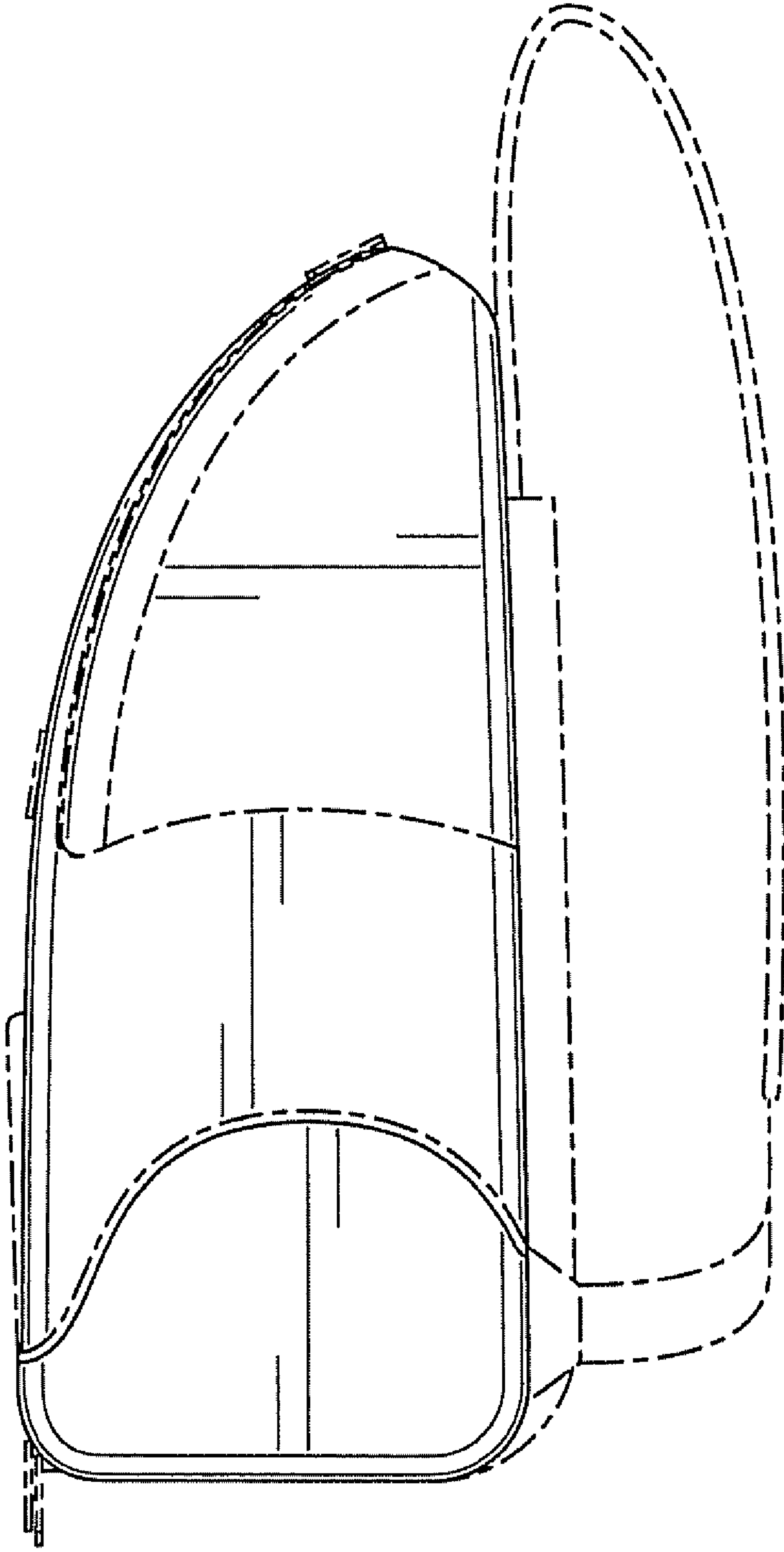


FIG. 5

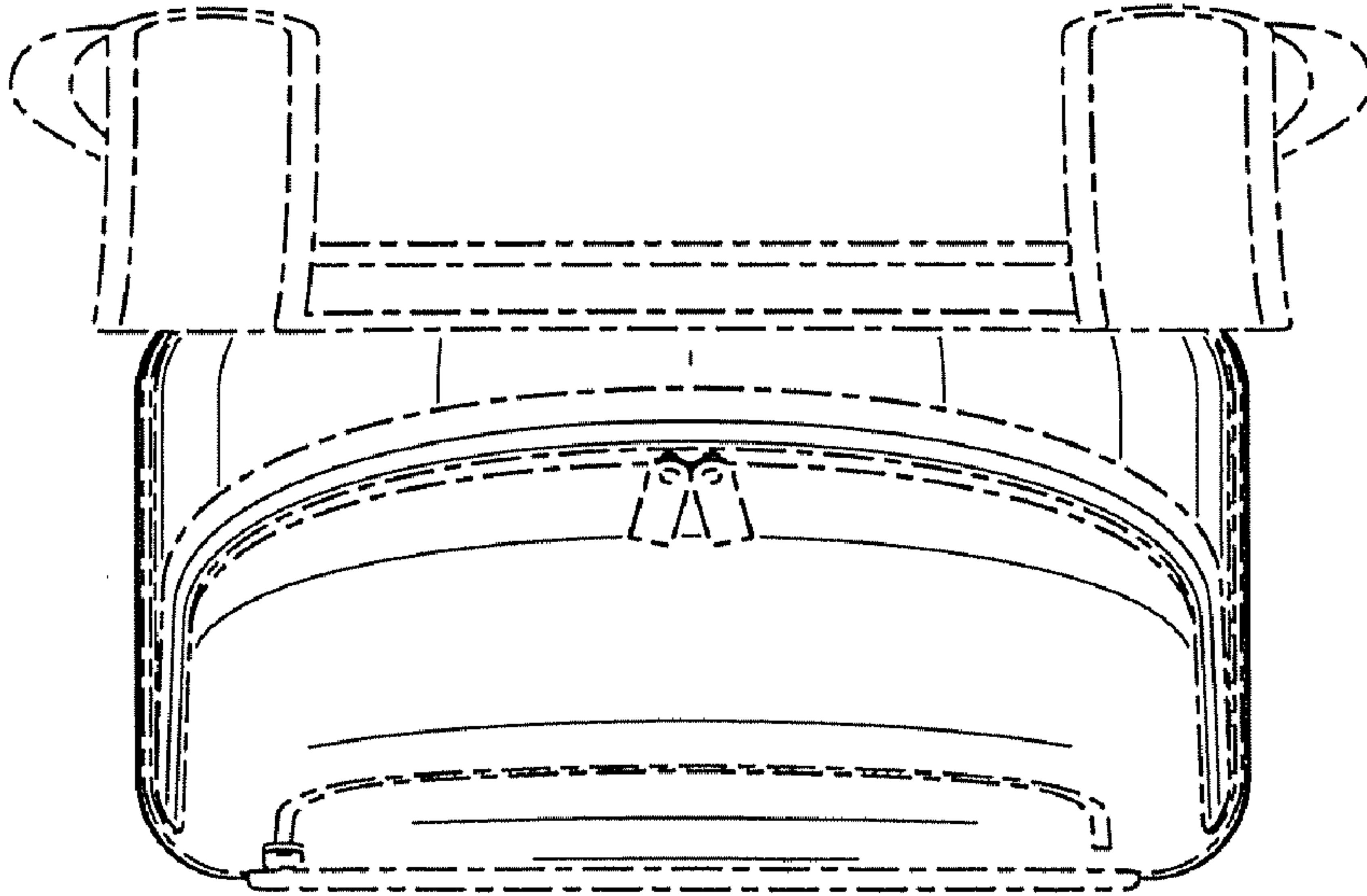


FIG. 6

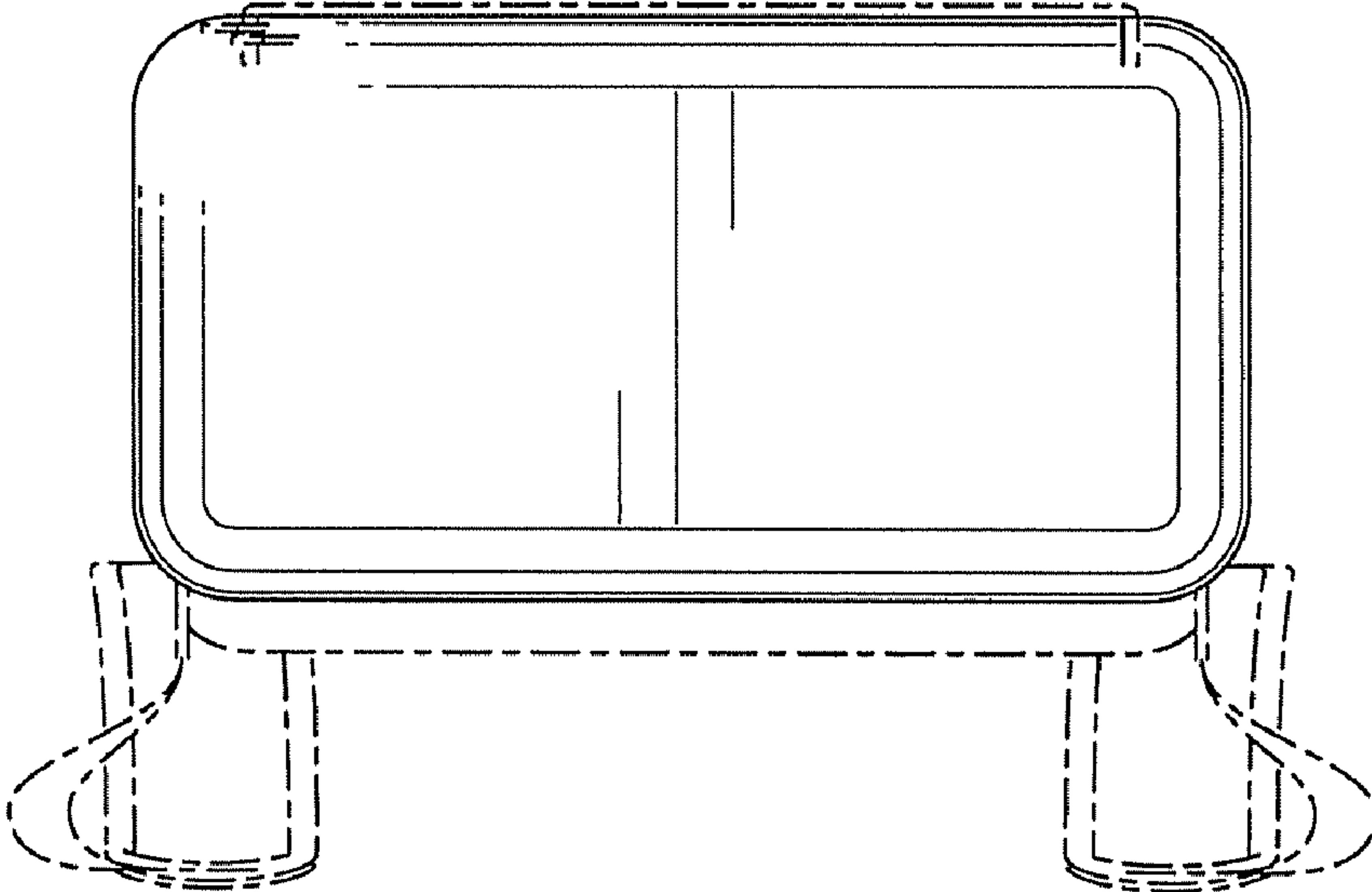


FIG. 7