



US00D604500S

(12) **United States Design Patent**
Buday

(10) **Patent No.:** **US D604,500 S**

(45) **Date of Patent:** **** Nov. 24, 2009**

(54) **BEAD-CAPPED KNITTING NEEDLE**

D298,698 S	11/1988	Okada
4,866,953 A	9/1989	Slevin
D313,499 S	1/1991	Pollock
D404,907 S	2/1999	Vicente
D526,477 S	8/2006	Jost

(76) Inventor: **Janet Buday**, 3120 McEwan Rd.,
Lakebay, WA (US) 98349

(**) Term: **14 Years**

* cited by examiner

(21) Appl. No.: **29/297,959**

Primary Examiner—T. Chase Nelson

Assistant Examiner—Anhdao Doan

(22) Filed: **Nov. 23, 2007**

(74) *Attorney, Agent, or Firm*—Seth M. Reiss, AAL, ALLLC;
Seth M. Reiss

Related U.S. Application Data

(63) Continuation-in-part of application No. 29/276,070,
filed on Jan. 13, 2007, now abandoned.

(57) **CLAIM**

I claim the ornamental design for a bead-capped knitting
needle, as shown and described.

(51) **LOC (9) Cl.** **02-07**

(52) **U.S. Cl.** **D3/28**

(58) **Field of Classification Search** D3/18–29;
66/116–118; 223/102; D7/683, 684; D19/42;
D20/29, 30, 34, 38; D11/11, 40, 41, 42;
D28/41

DESCRIPTION

FIG. 1 is a side view of a bead-capped knitting needle of the
claimed invention; the top, bottom and opposite side views
are identical thereto;

See application file for complete search history.

FIG. 2 is an end view thereof;

FIG. 3 is another end view thereof; and,

FIG. 4 is an enlarged fragmentary perspective view thereof.

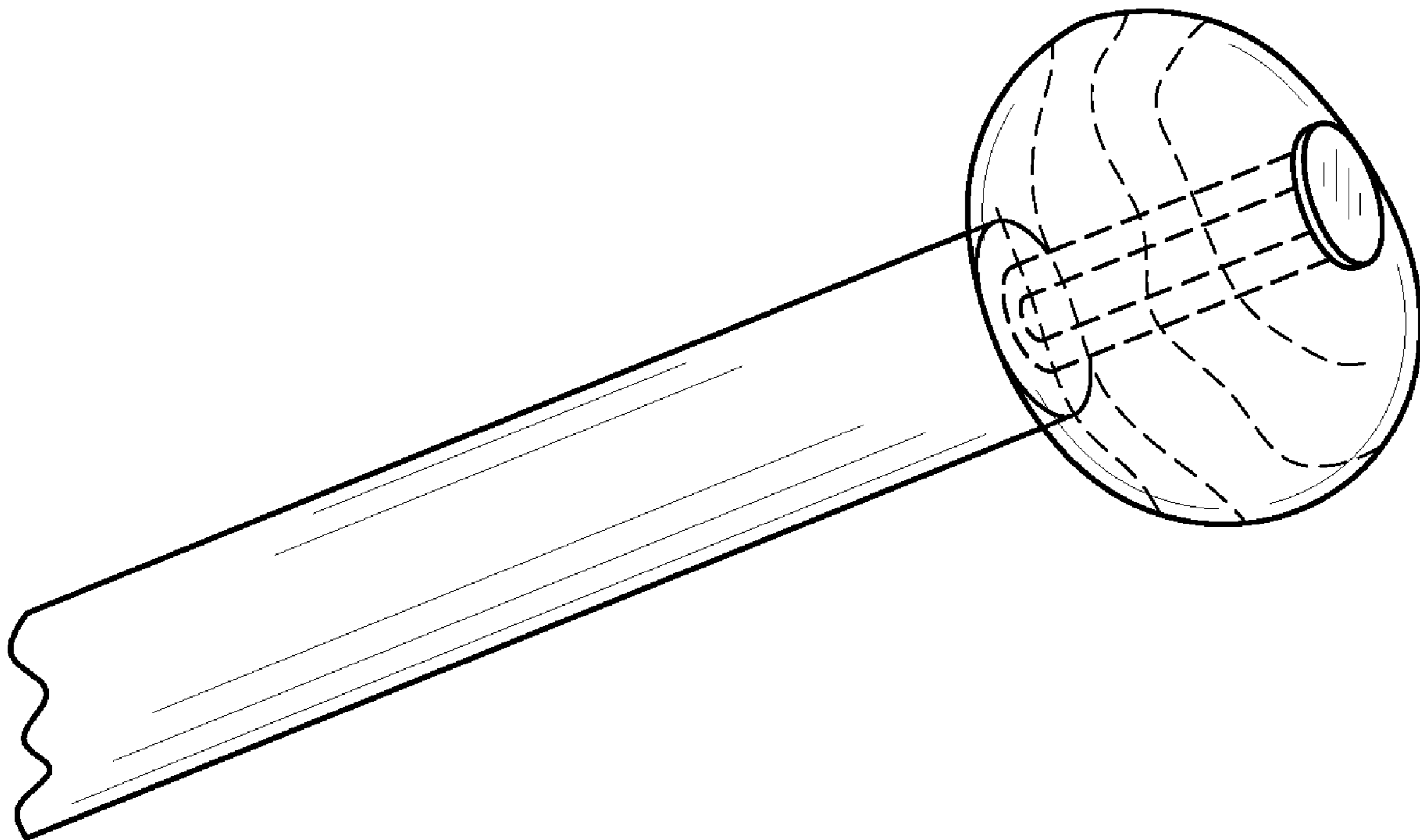
The broken lines in the figure drawings are included for the
purpose of illustrating portions of the bead-capped knitting
needle that form no part of the claimed design.

(56) **References Cited**

U.S. PATENT DOCUMENTS

2,341,403 A	2/1944	Williams	
D157,819 S	3/1950	Williamson	
D157,821 S *	3/1950	Williamson D3/28
D271,062 S	10/1983	Okada	
D292,543 S *	11/1987	Smith D3/215

1 Claim, 1 Drawing Sheet



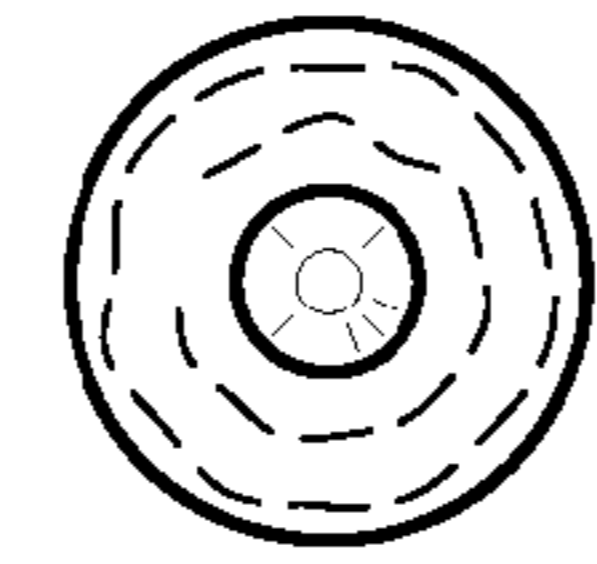
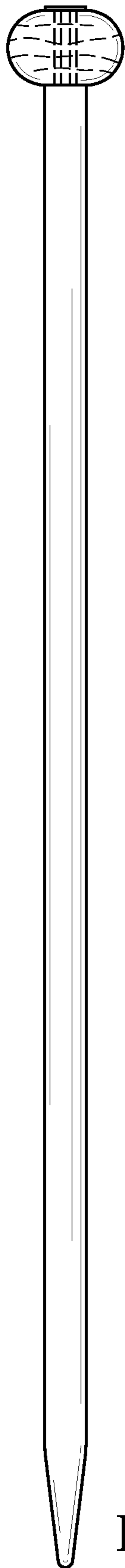


FIG. 2

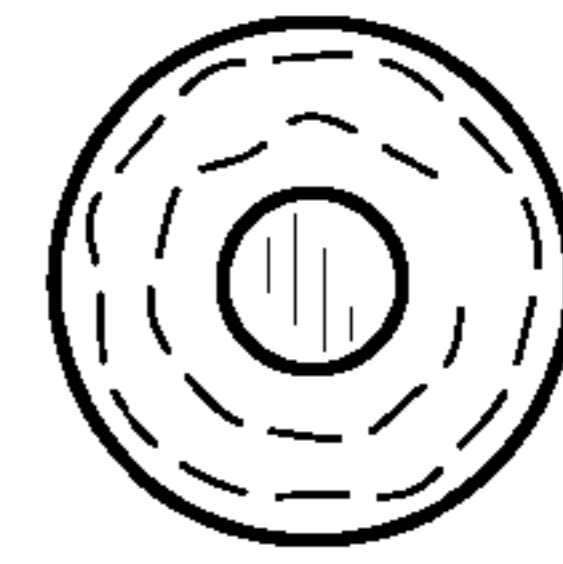


FIG. 3

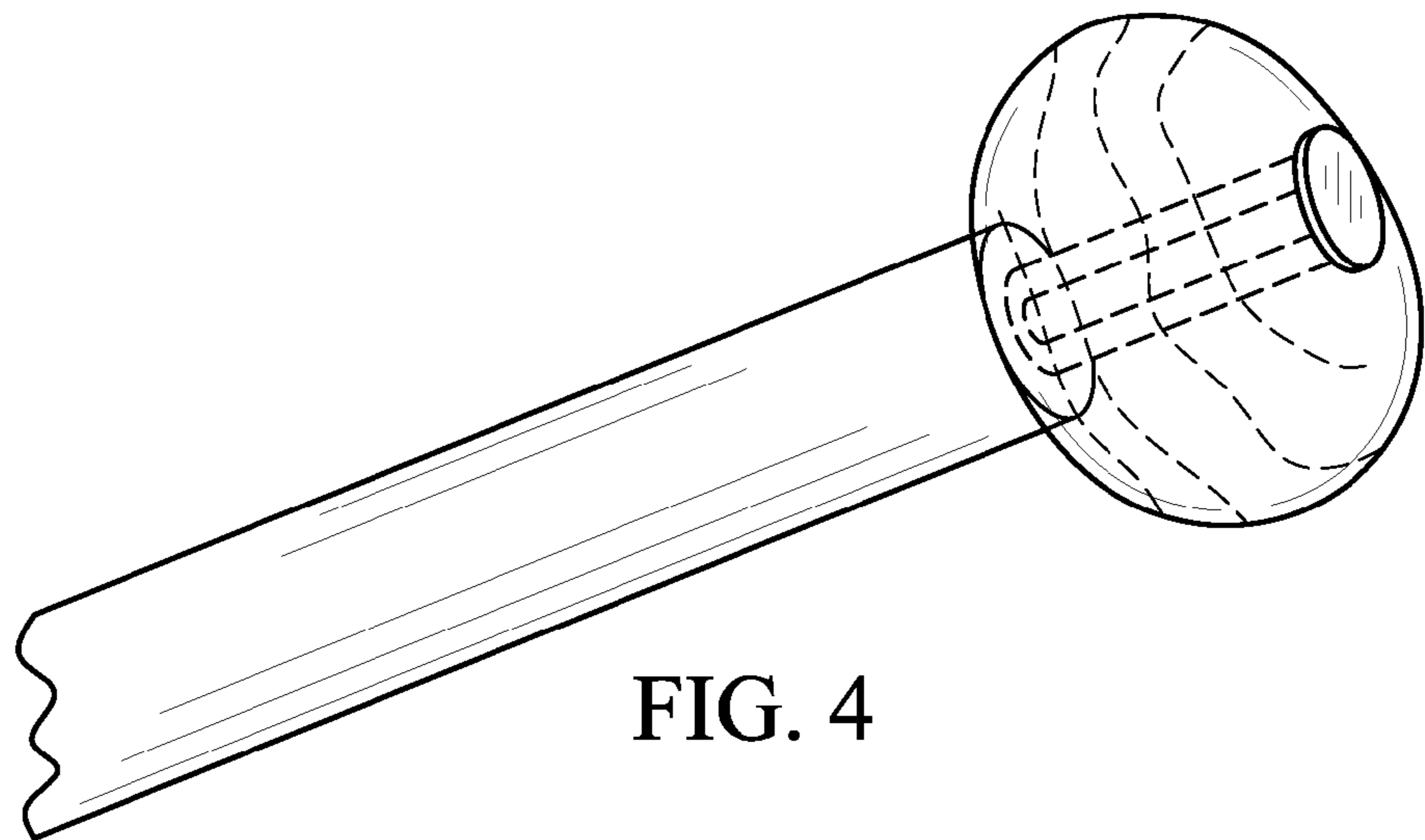


FIG. 4

FIG. 1