



US00D604485S

(12) **United States Design Patent**  
**Thornton**

(10) **Patent No.:** **US D604,485 S**

(45) **Date of Patent:** **\*\* Nov. 24, 2009**

(54) **SANDAL STRAPPING**

**DESCRIPTION**

(75) Inventor: **Jeffrey Thornton**, Los Angeles, CA  
(US)

(73) Assignee: **ACI International**, Los Angeles, CA  
(US)

(\*\*) Term: **14 Years**

(21) Appl. No.: **29/323,961**

(22) Filed: **Sep. 3, 2008**

(51) **LOC (9) Cl.** ..... **02-99**

(52) **U.S. Cl.** ..... **D2/946**

(58) **Field of Classification Search** ..... D2/896-900,  
D2/903, 916-925, 943, 952, 969, 971; 36/45,  
36/11.5, 8.1, 77 M, 77 R, 83, 7  
See application file for complete search history.

(56) **References Cited**

**U.S. PATENT DOCUMENTS**

2,126,094	A *	8/1938	Daniels	.....	36/11.5
2,167,035	A *	7/1939	Westheimer	.....	36/169
2,259,273	A *	10/1941	Smith	.....	36/11.5
4,446,633	A *	5/1984	Scheinhaus et al.	.....	36/11.5
6,021,585	A *	2/2000	Cole	.....	36/11.5
D434,210	S *	11/2000	Dean	.....	D2/969
D461,042	S *	8/2002	Urie et al.	.....	D2/969

\* cited by examiner

*Primary Examiner*—Stella M Reid

*Assistant Examiner*—Rashida C McCoy

(74) *Attorney, Agent, or Firm*—Greenberg Traurig LLP

(57) **CLAIM**

The ornamental design for sandal strapping, as shown and described.

FIG. 1 is a perspective view of sandal strapping showing the new design;

FIG. 2 is a top view of sandal strapping showing the new design;

FIG. 3 is a right side view of sandal strapping showing the new design;

FIG. 4 is a left side view of sandal strapping showing the new design;

FIG. 5 is a perspective view of another embodiment of sandal strapping showing the new design;

FIG. 6 is a top view of another embodiment of sandal strapping showing the new design;

FIG. 7 is a right side view of another embodiment of sandal strapping showing the new design;

FIG. 8 is a left side view of another embodiment of sandal strapping showing the new design;

FIG. 9 is a perspective view of another embodiment of sandal strapping showing the new design;

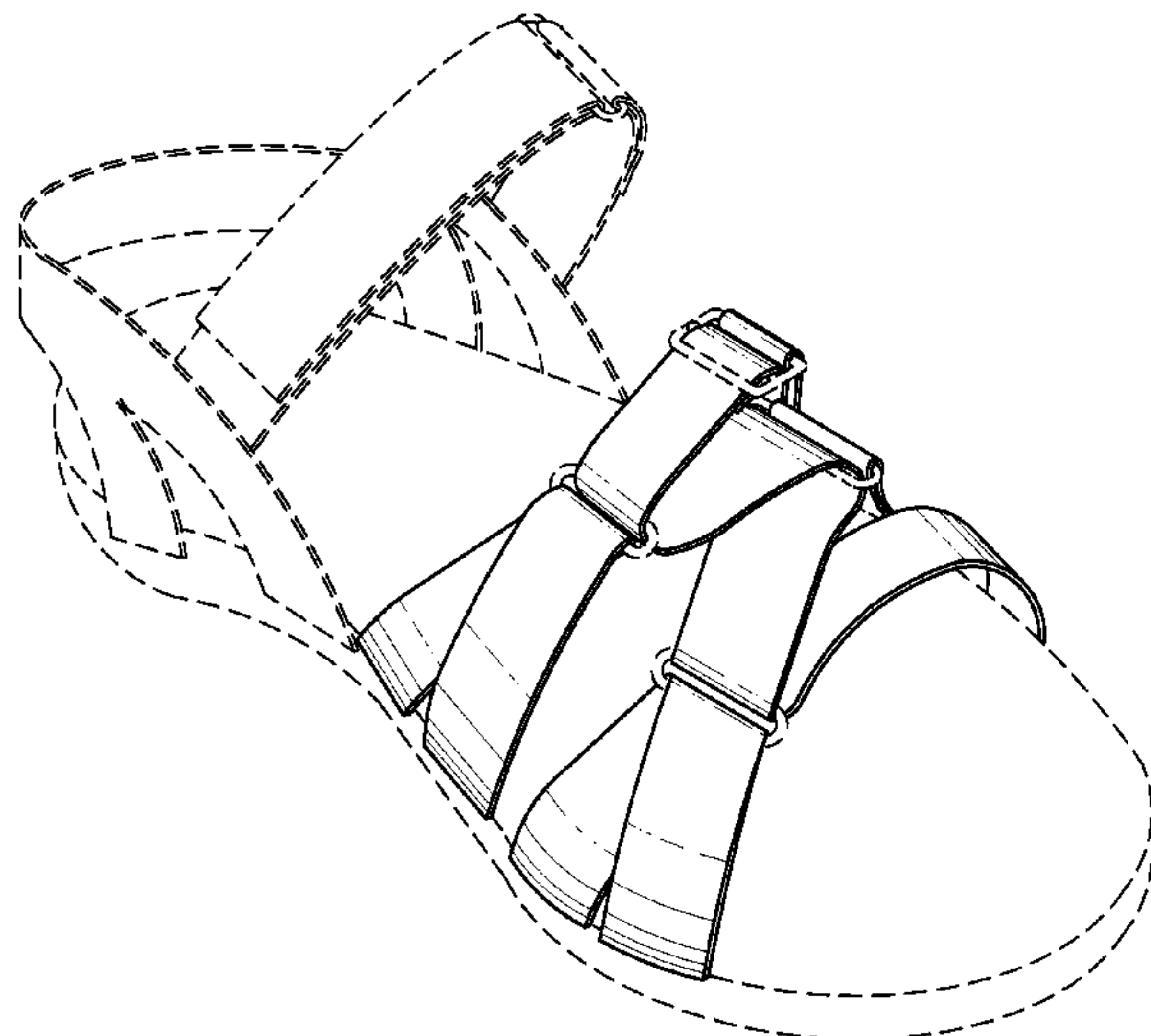
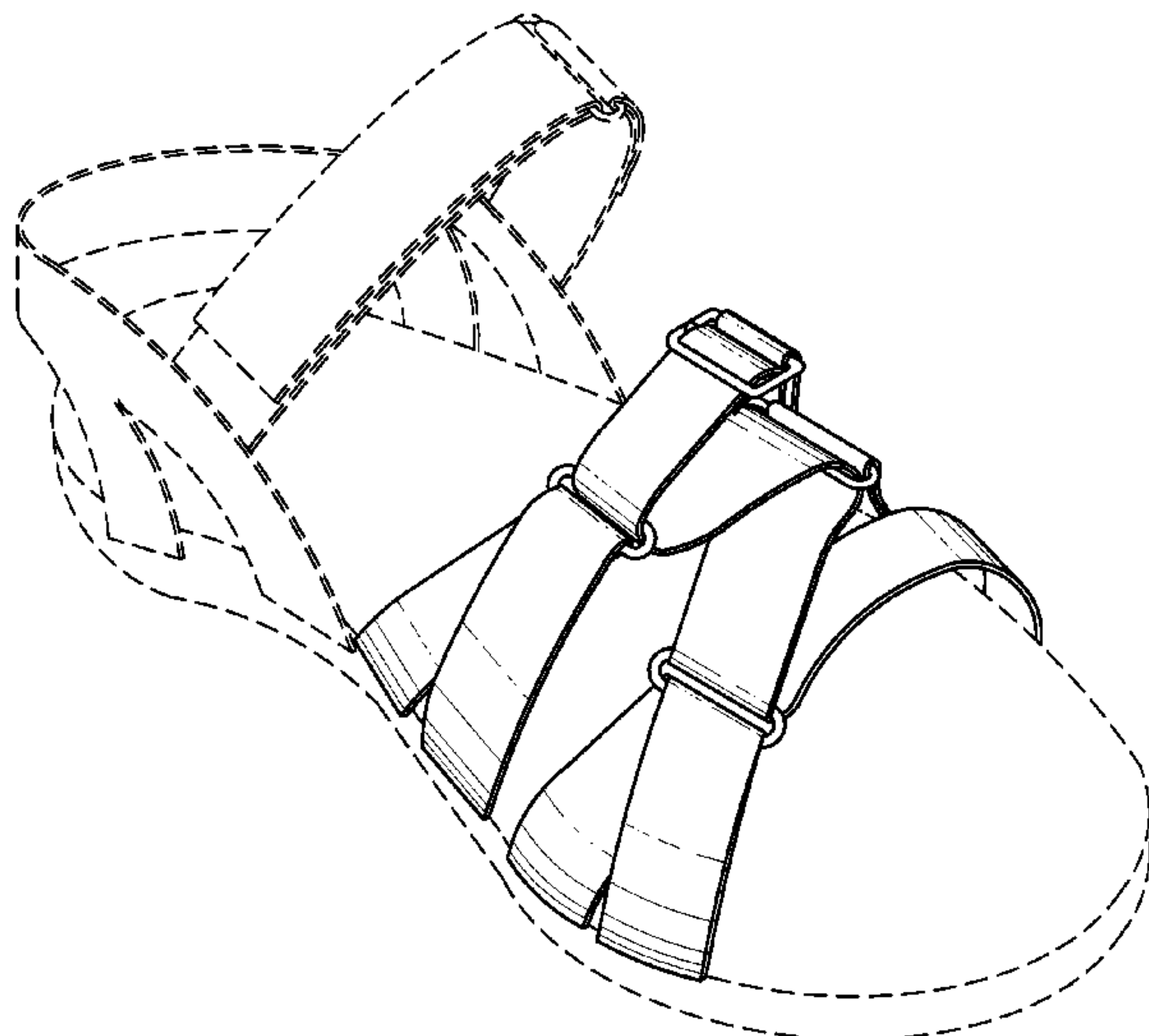
FIG. 10 is a top view of another embodiment of sandal strapping showing the new design;

FIG. 11 is a right side view of another embodiment of sandal strapping showing the new design; and,

FIG. 12 is a left side view of another embodiment of sandal strapping showing the new design.

The solid lines comprise the claimed design and the claimed design is not limited to the specific location on the footwear or a particular size in relationship to the shoe. The broken lines adjacent to the claimed design represent elements that are not a part of the claimed design. The broken line showing the remainder of the shoe is for illustrative purposes only and forms no part of the claimed design.

**1 Claim, 12 Drawing Sheets**



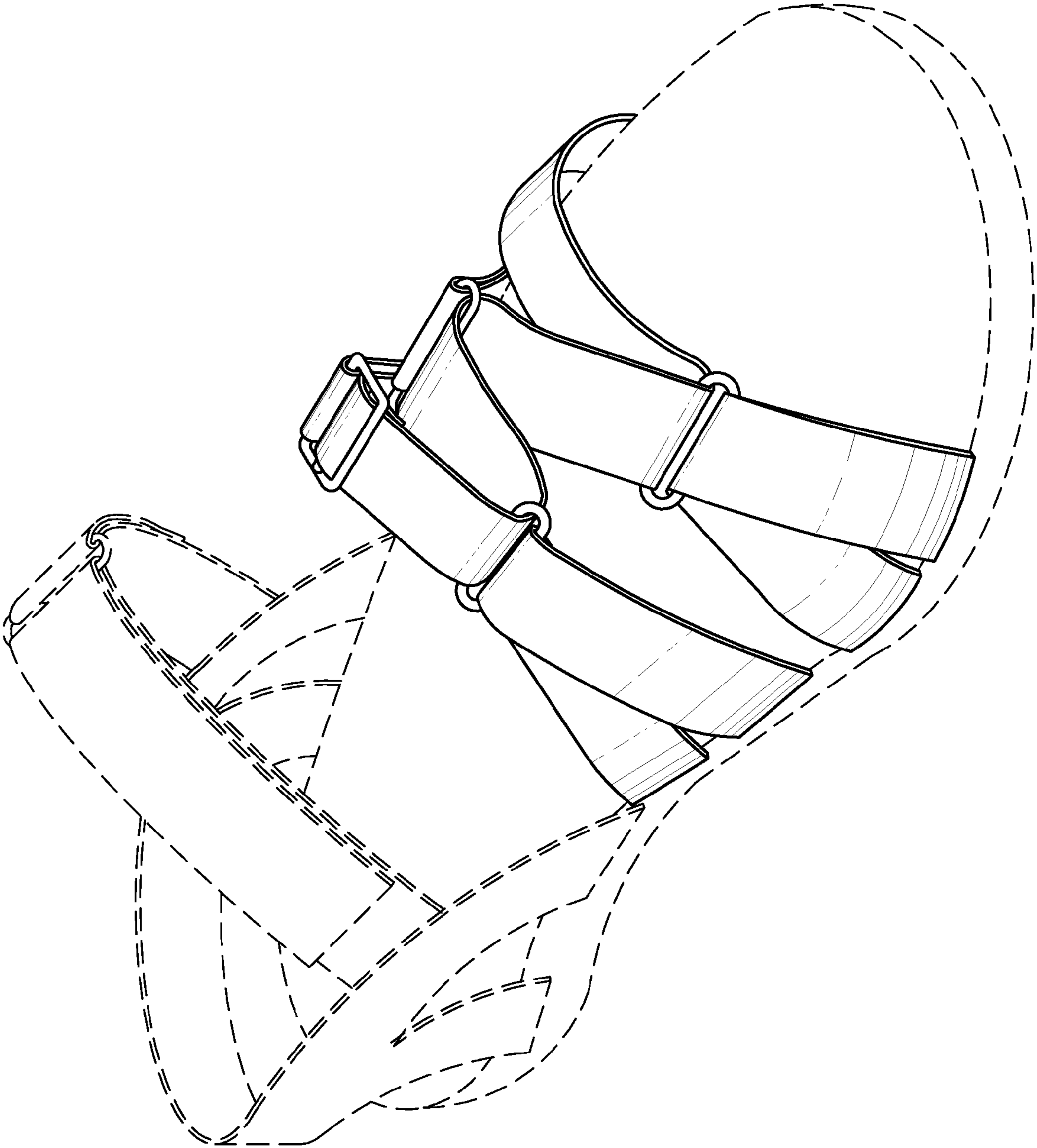


FIG. 1

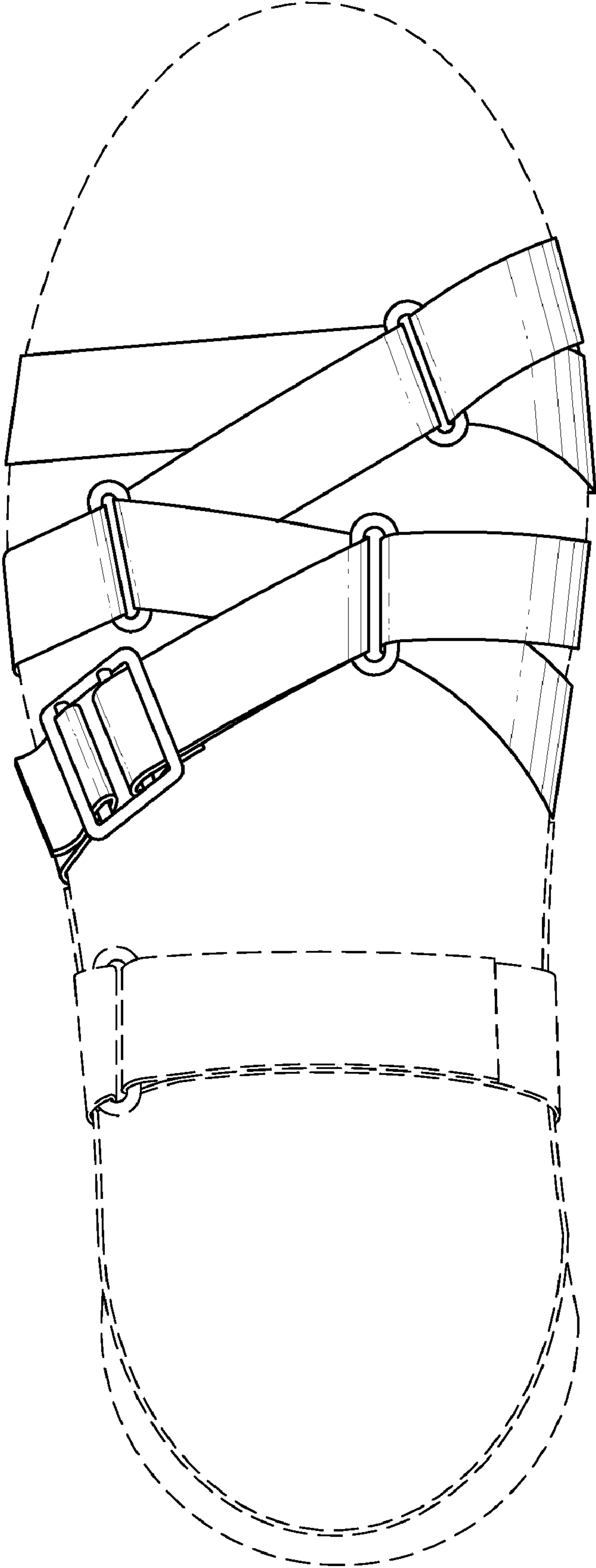
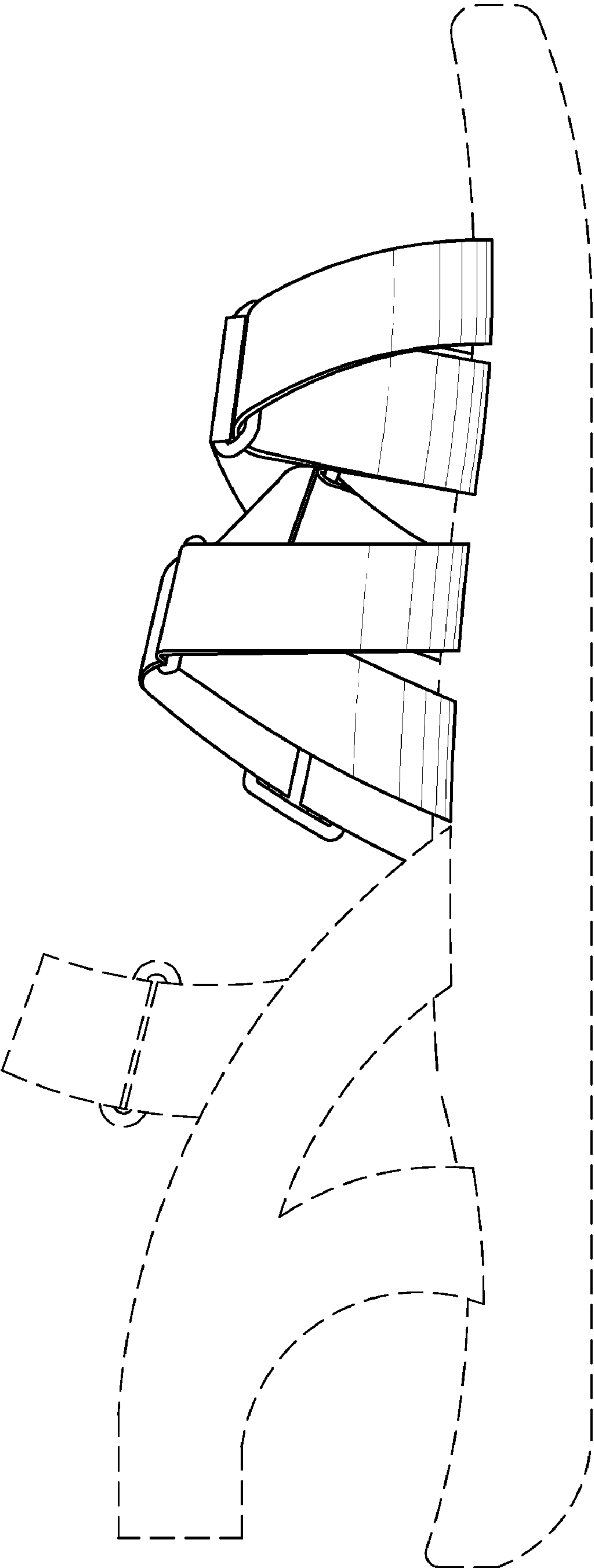


FIG. 2

FIG. 3



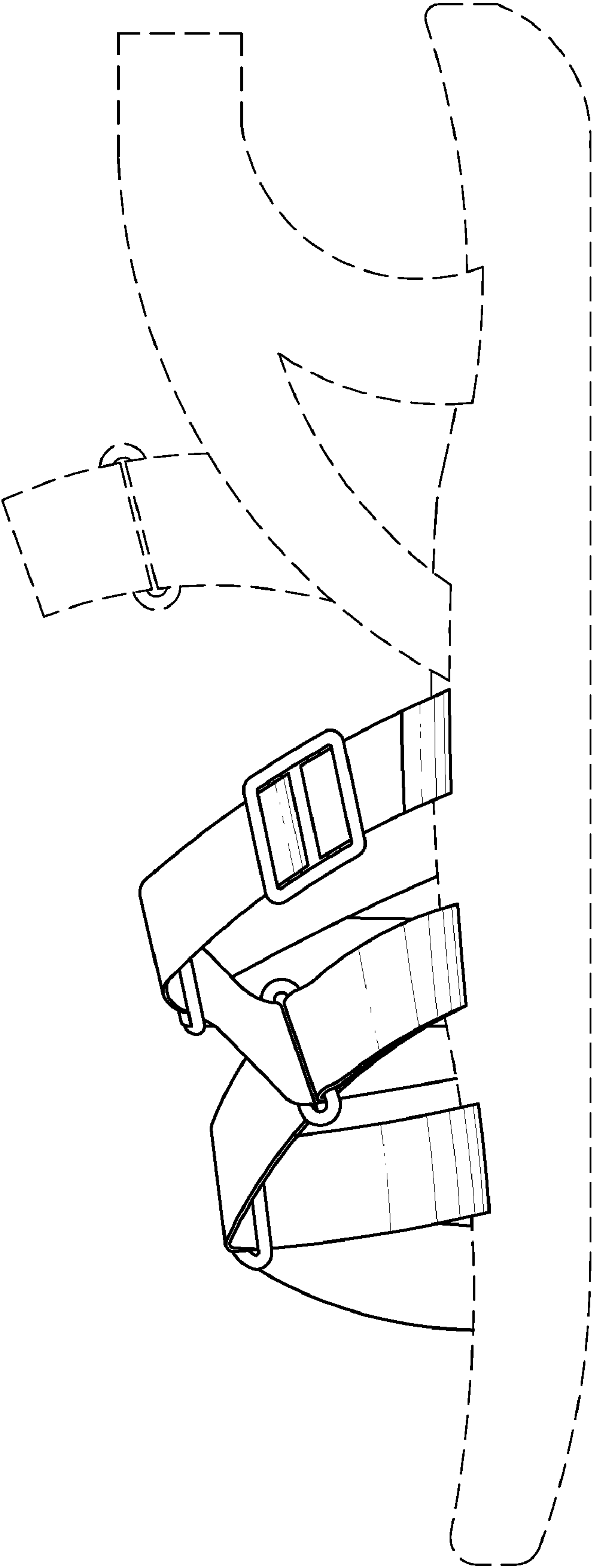


FIG. 4



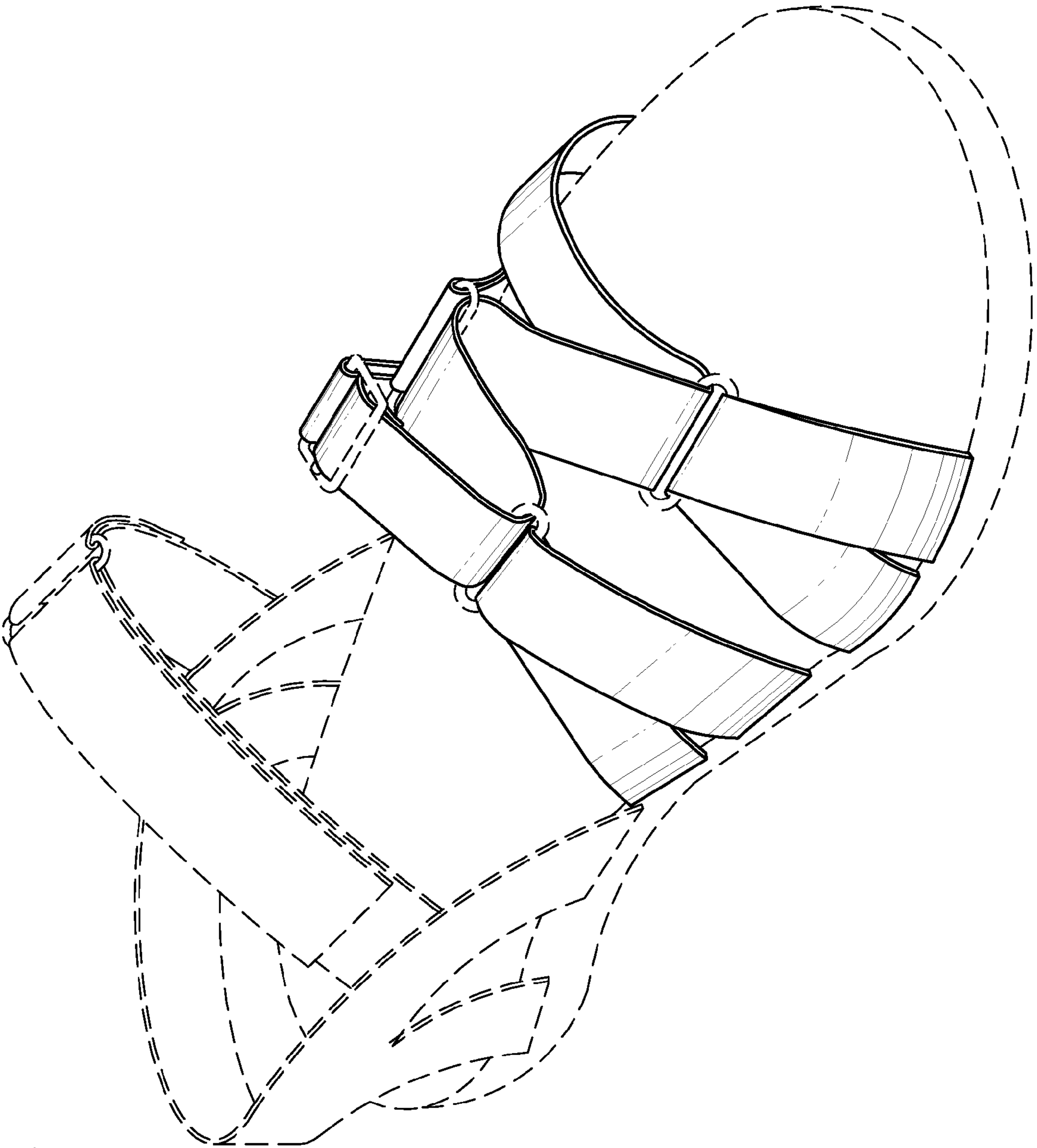


FIG. 5

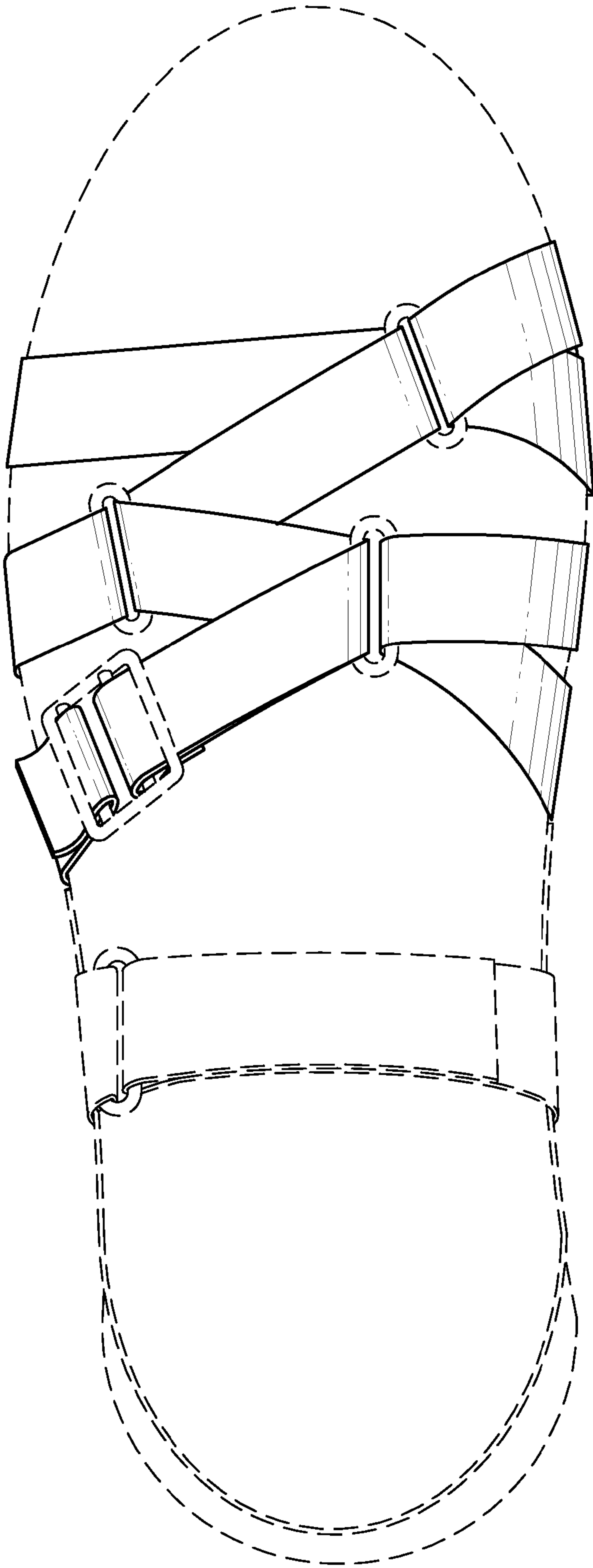
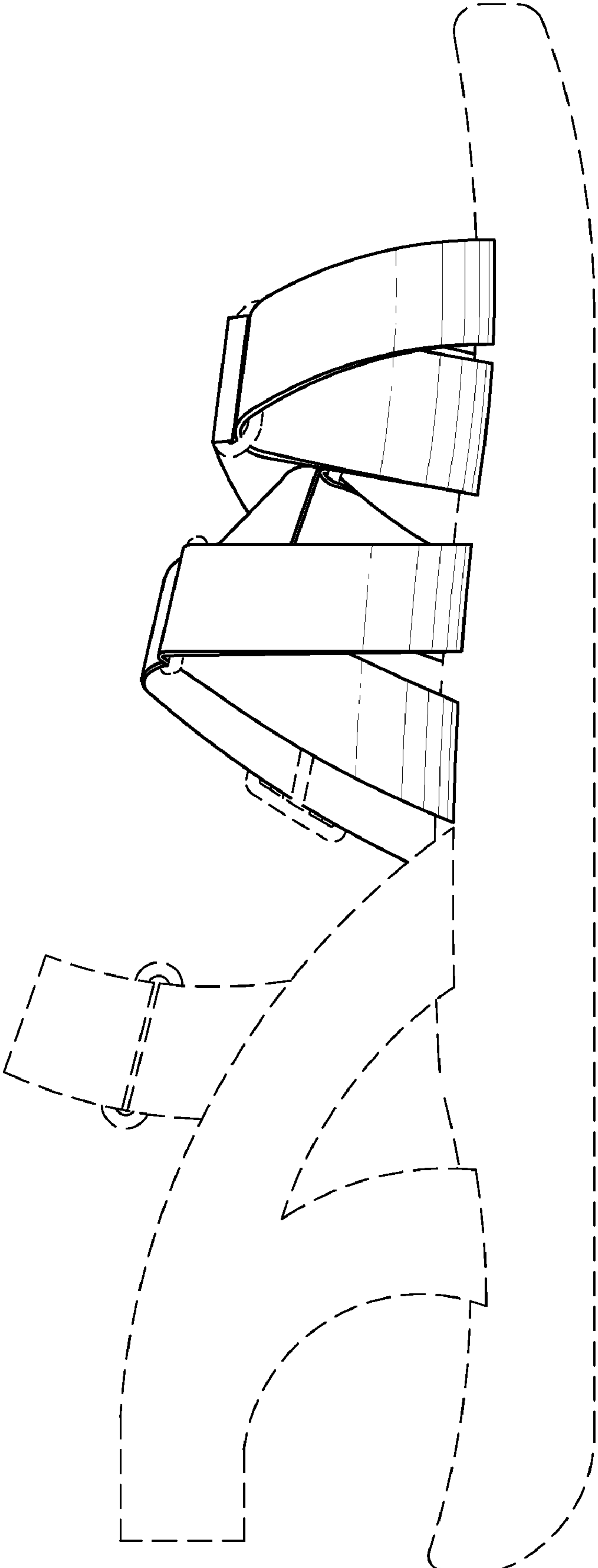


FIG. 6

FIG. 7





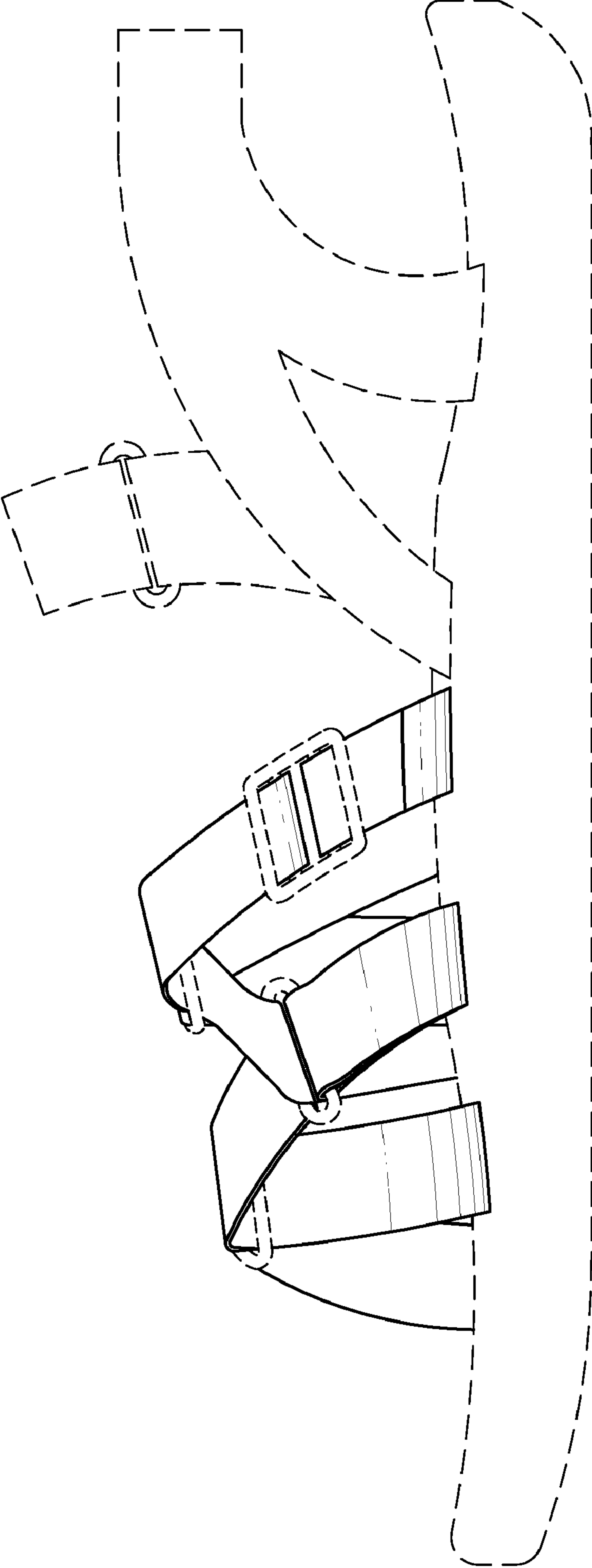


FIG. 8

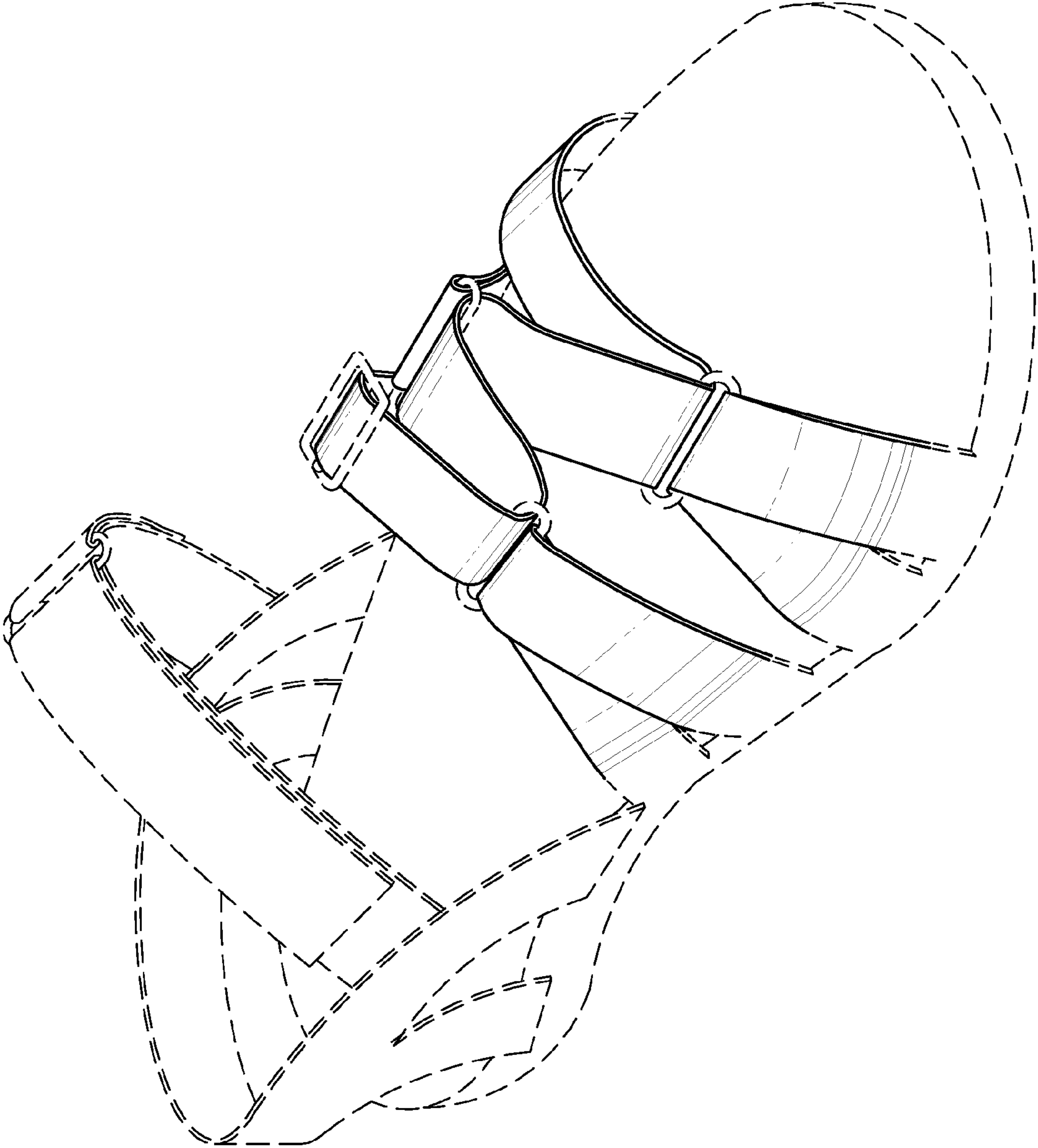


FIG. 9

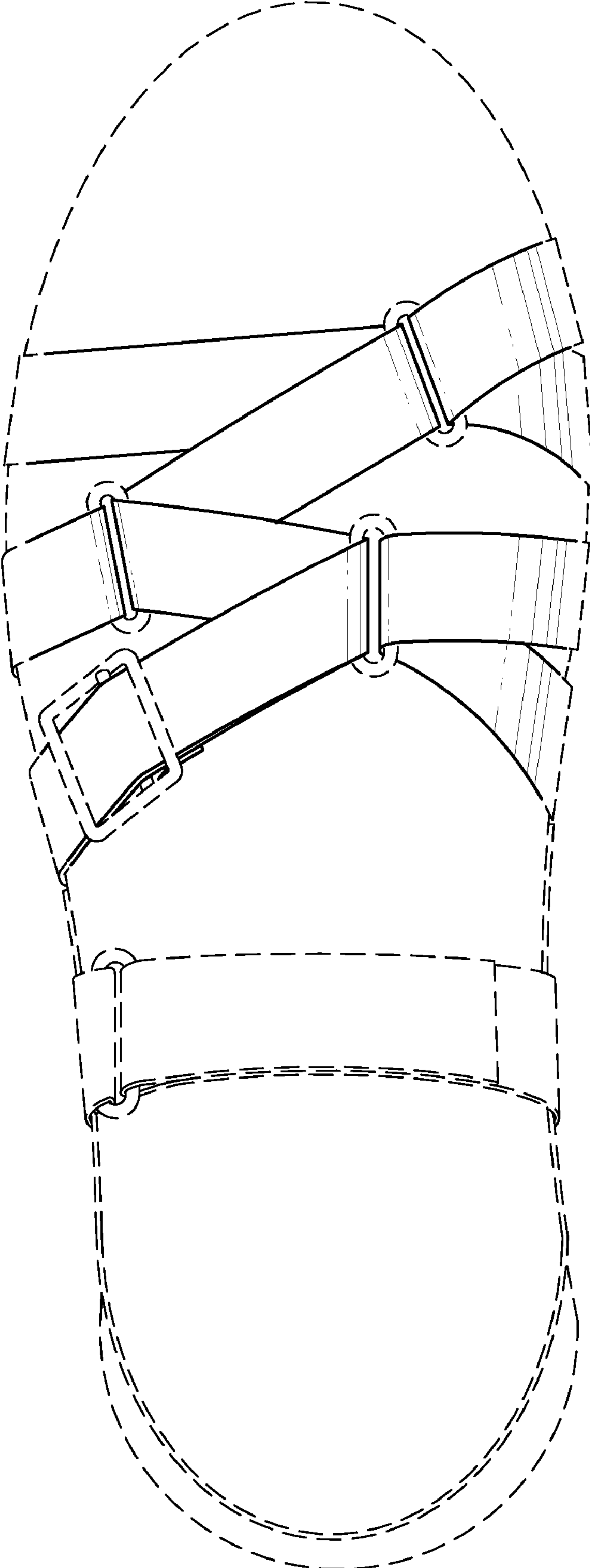
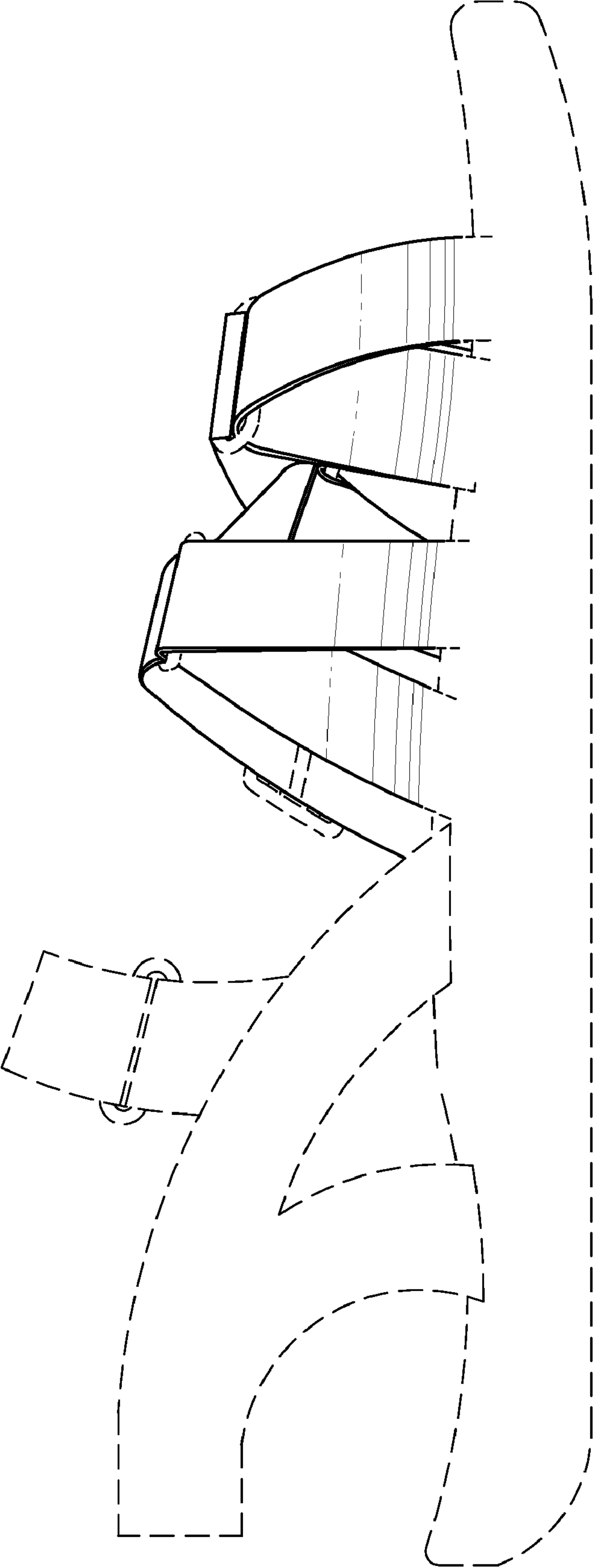


FIG. 10



**FIG.11**

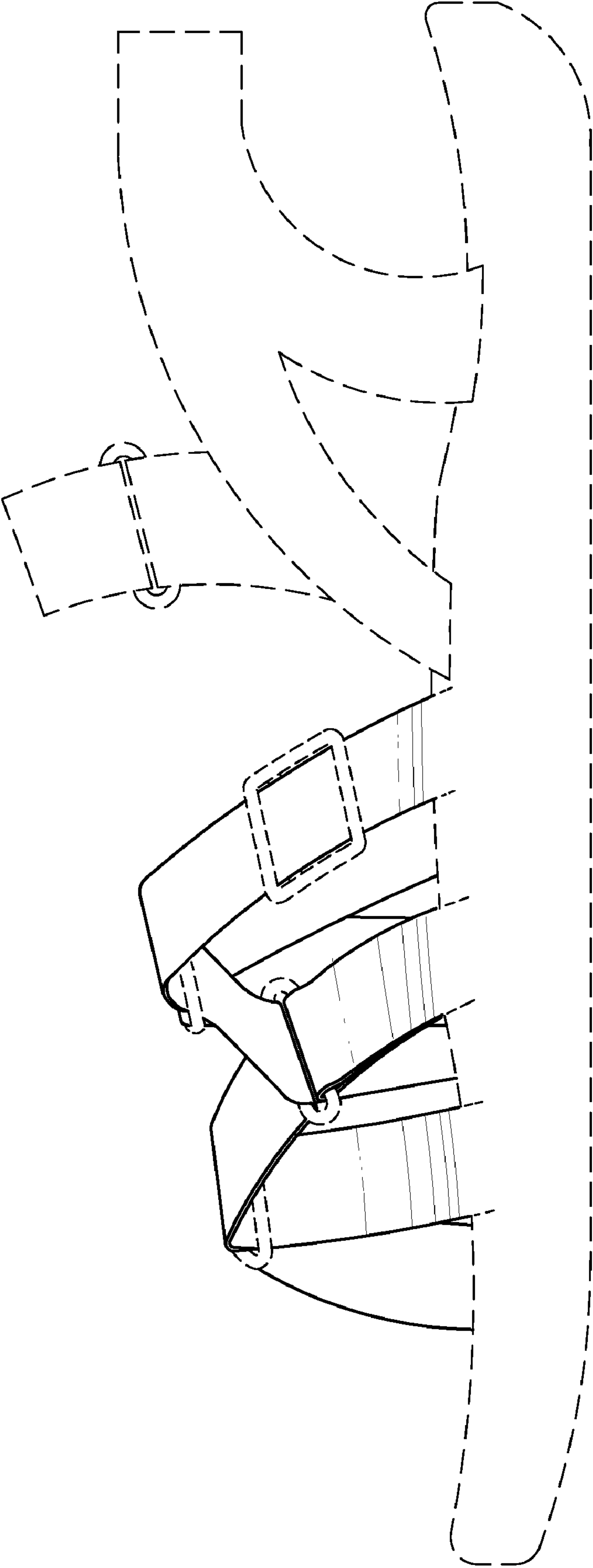


FIG. 12