



US00D604473S

(12) **United States Design Patent**
Gibson

(10) **Patent No.:** **US D604,473 S**
(45) **Date of Patent:** **** Nov. 17, 2009**

(54) **RECYCLING BIN CART**

(76) Inventor: **Gaston P. Gibson**, 2300 Beechwood St.,
Little Rock, AR (US) 72207

(**) Term: **14 Years**

(21) Appl. No.: **29/340,841**

(22) Filed: **Jul. 27, 2009**

(51) **LOC (9) Cl.** **12-02**

(52) **U.S. Cl.** **D34/16**

(58) **Field of Classification Search** D34/12-27;
280/47.19, 47.16, 47.33, 47.26, 79.3, 79.11
See application file for complete search history.

(56) **References Cited**

U.S. PATENT DOCUMENTS

3,762,738	A	*	10/1973	Christina	280/47.19
D333,895	S	*	3/1993	Niemeyer	D34/5
D373,669	S	*	9/1996	Perkins, Sr.	D34/24
D396,917	S	*	8/1998	McCray, Jr.	D34/5
5,845,915	A	*	12/1998	Wilson	280/47.19
D422,392	S	*	4/2000	Weinstein	D34/12
D423,809	S	*	5/2000	Lund et al.	D6/396
D437,668	S	*	2/2001	Sanka	D34/5
D447,847	S	*	9/2001	Shyshka et al.	D34/21
6,471,237	B1	*	10/2002	Bedsole	280/655

* cited by examiner

Primary Examiner—Cynthia E Ramirez

(74) *Attorney, Agent, or Firm*—Butler, Snow, Omara, Stevens
& Cannada PLLC

(57) **CLAIM**

I claim the ornamental design for a recycling bin cart, as shown and described.

DESCRIPTION

FIG. 1 is an isometric view of the recycling bin cart with bins, lattice and cover shown in broken lines.

FIG. 2 is a isometric view of the recycling bin cart without bins, lattice and cover.

FIG. 3 is front view of the recycling bin cart of FIG. 2.

FIG. 4 is a right side view of the recycling bin cart of FIG. 2.

FIG. 5 is a rear view of the recycling bin cart of FIG. 2.

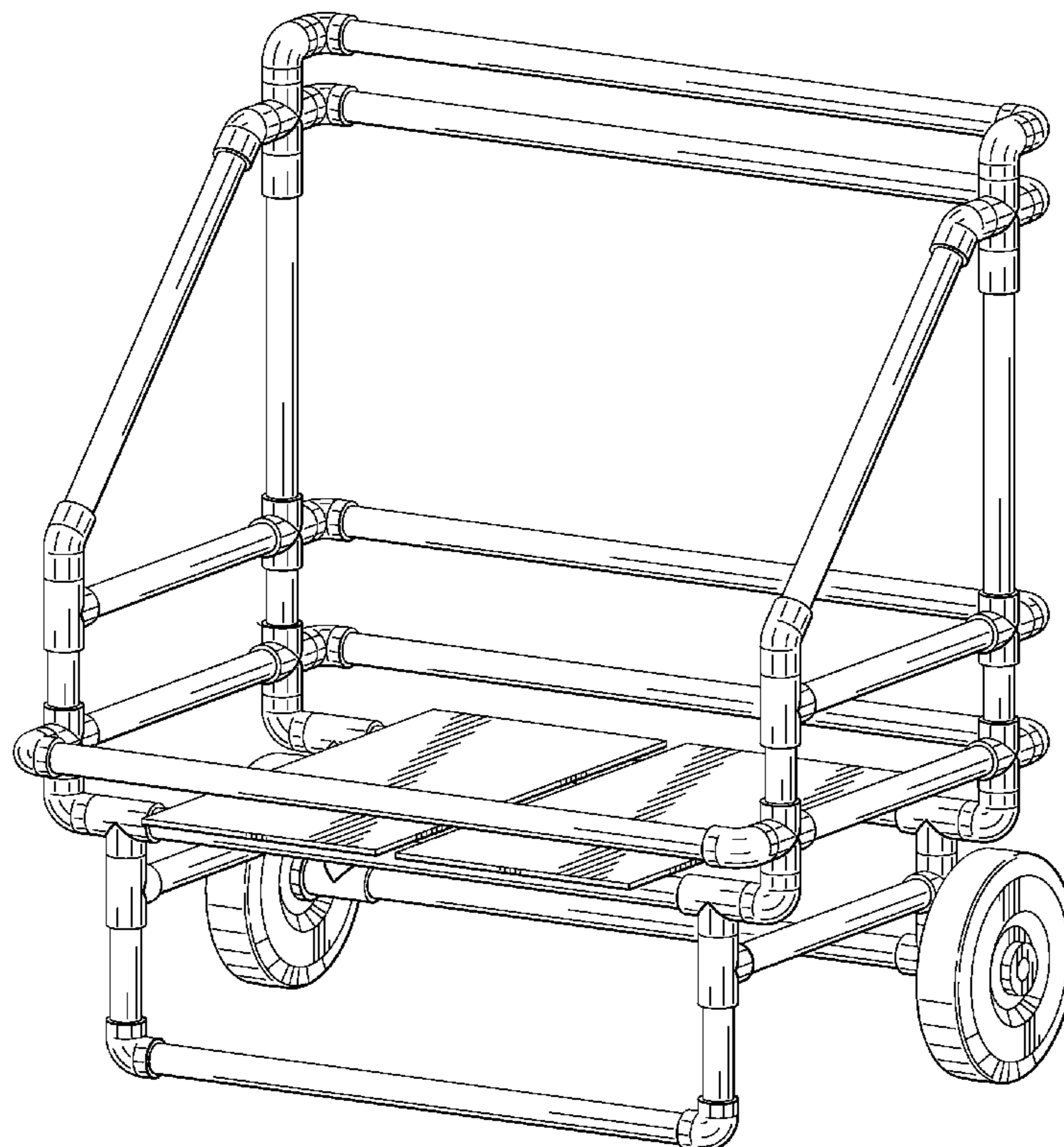
FIG. 6 is a top view of the recycling bin cart of FIG. 2; and,

FIG. 7 is a bottom view of the recycling bin cart of FIG. 2.

The broken lines in FIG. 1 illustrating optional bins, lattice work and a cover are for illustration purposes only and form no part of the claimed design.

FIGS. 1-7 illustrate an embodiment of the recycling bin cart which may have optionally a cover, lattice work, or recycling bins.

1 Claim, 7 Drawing Sheets



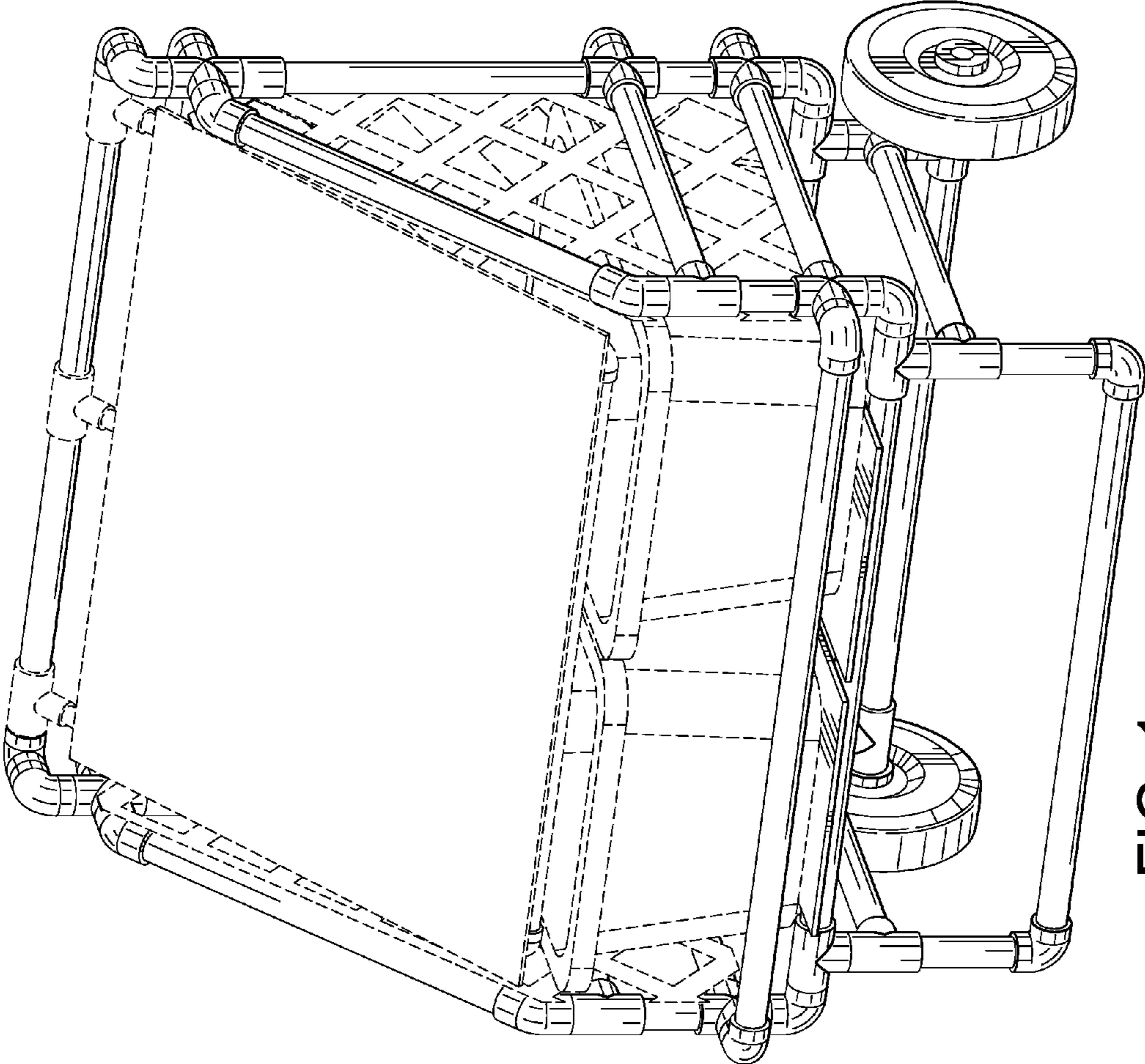


FIG. 1

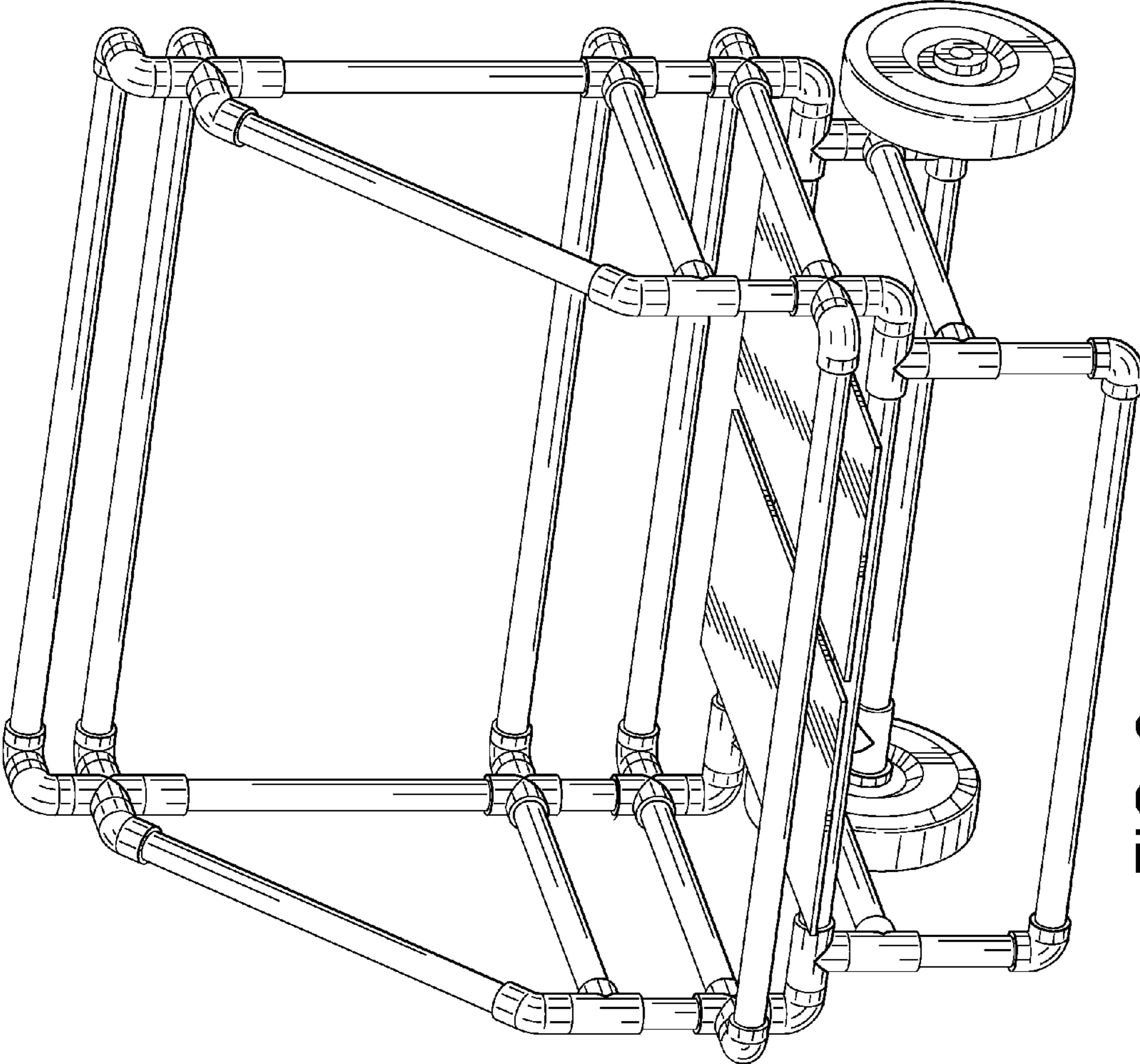


FIG. 2

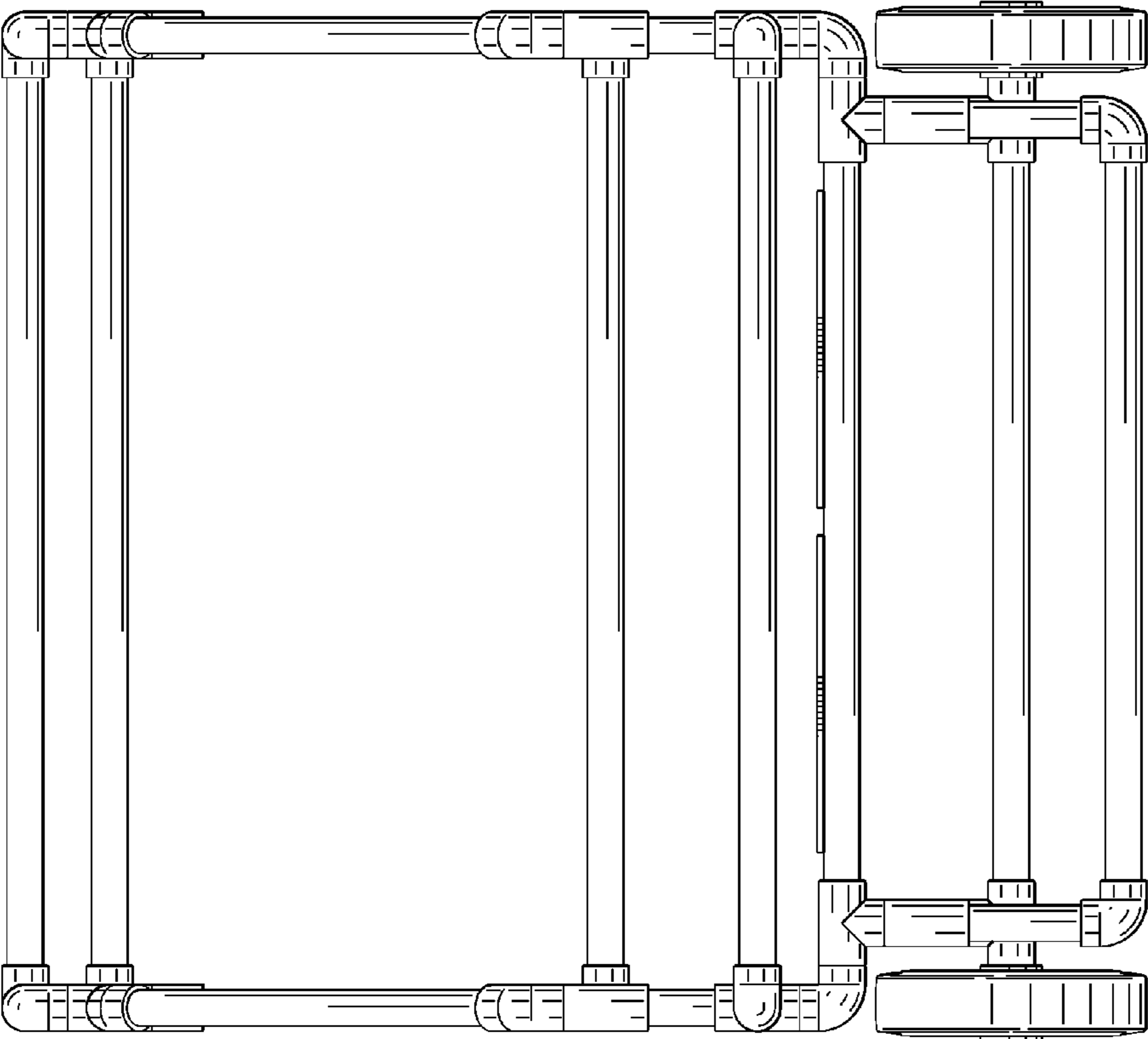


FIG. 3

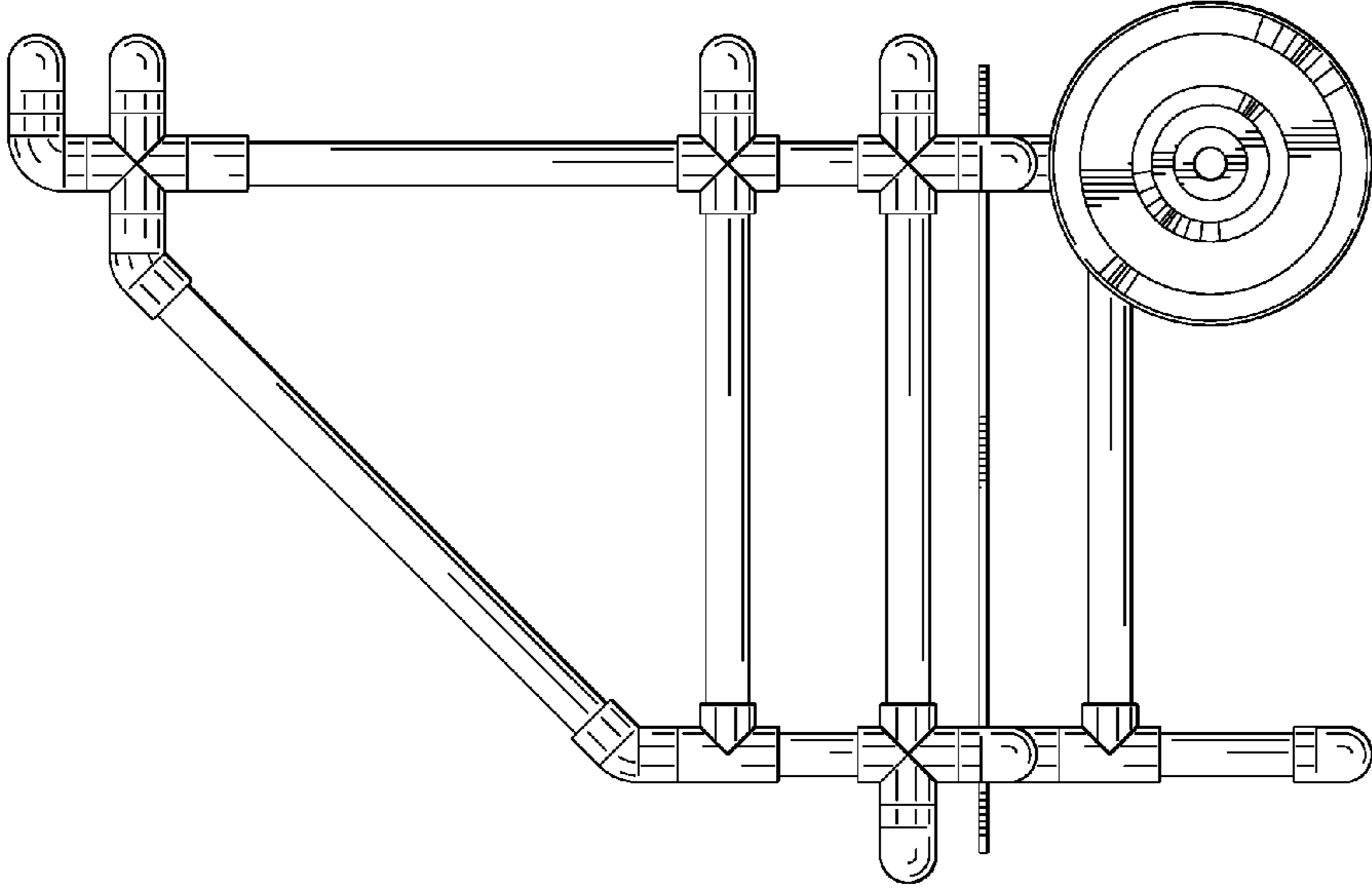


FIG. 4

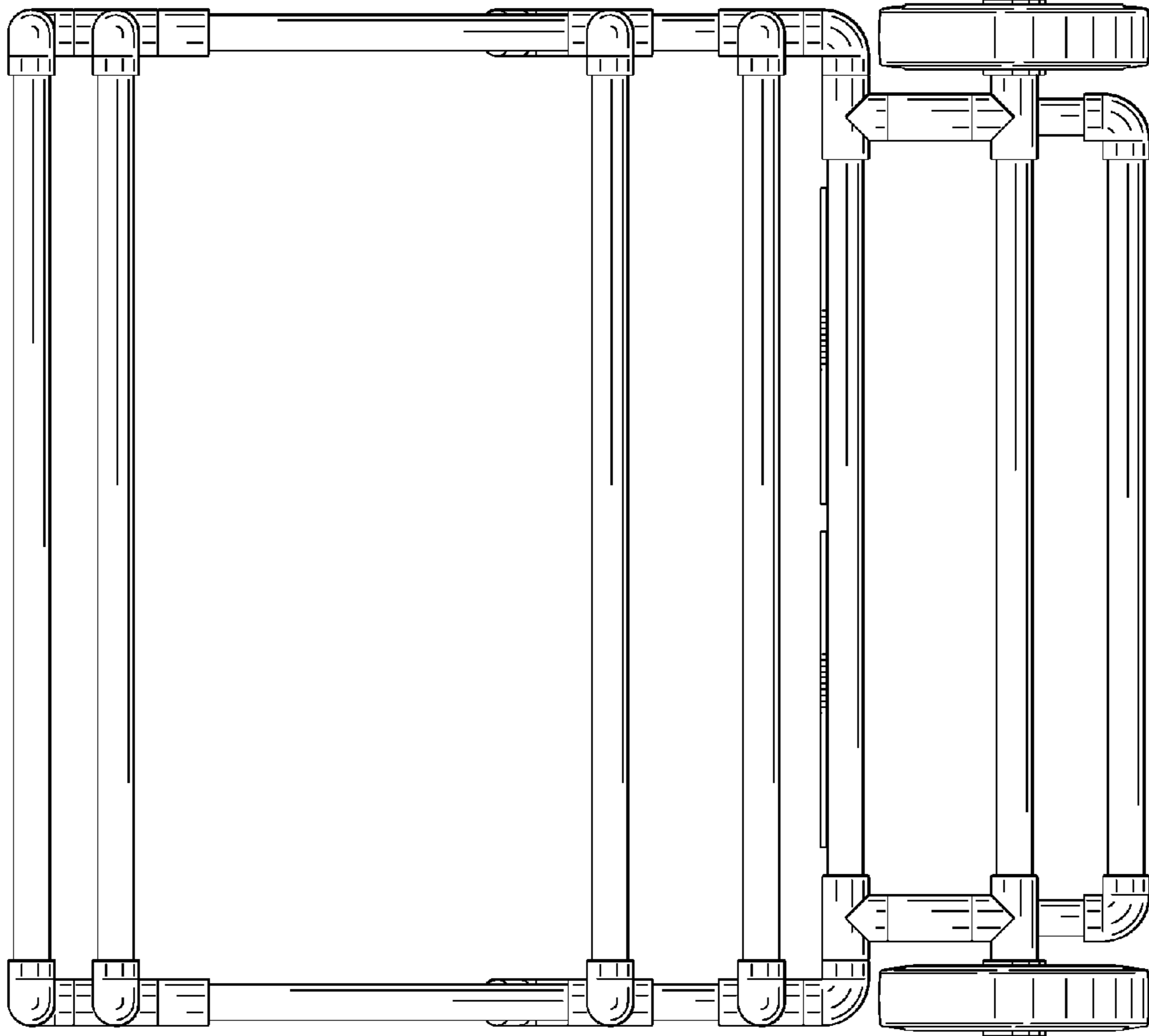


FIG. 5

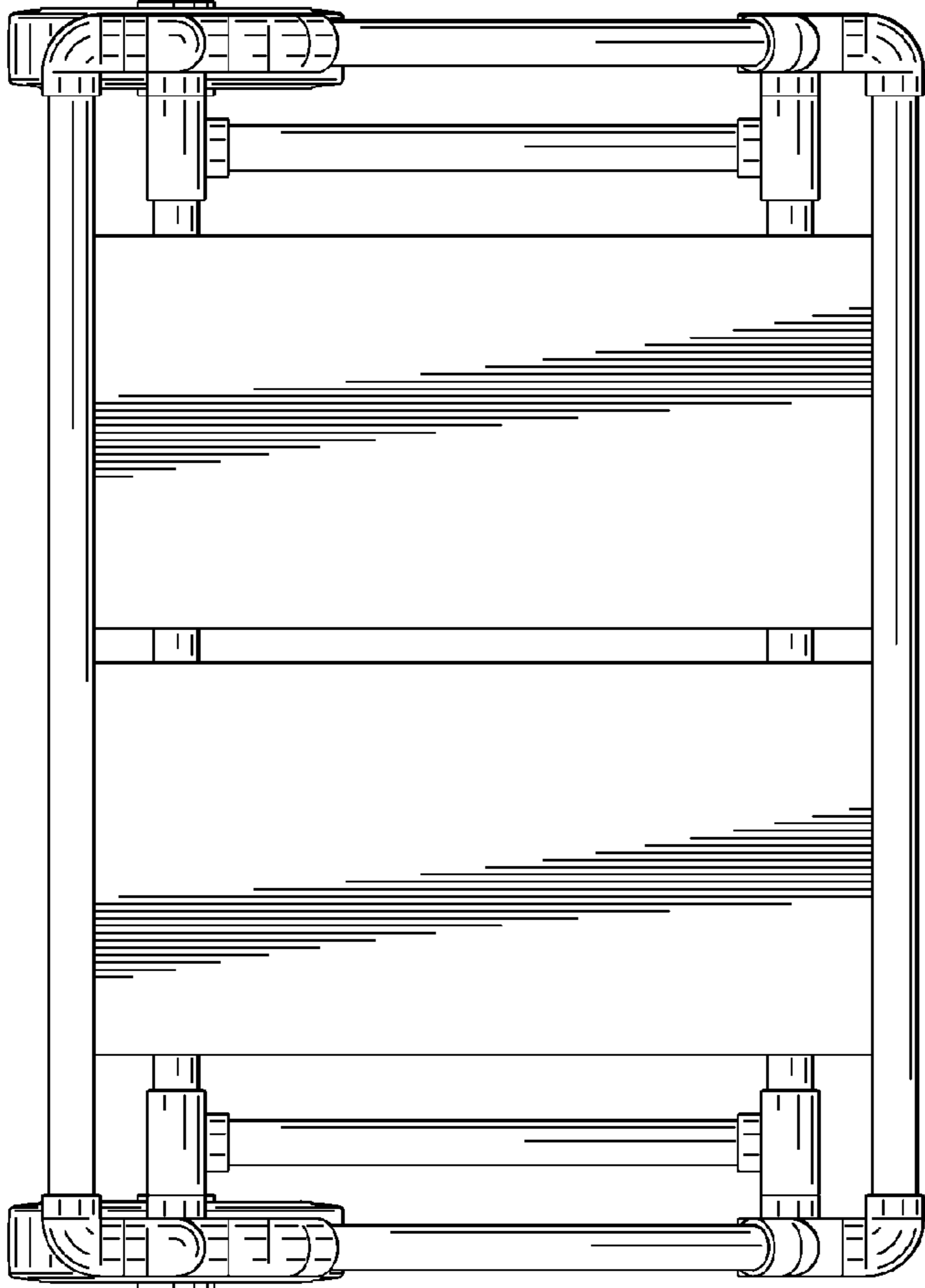


FIG. 6

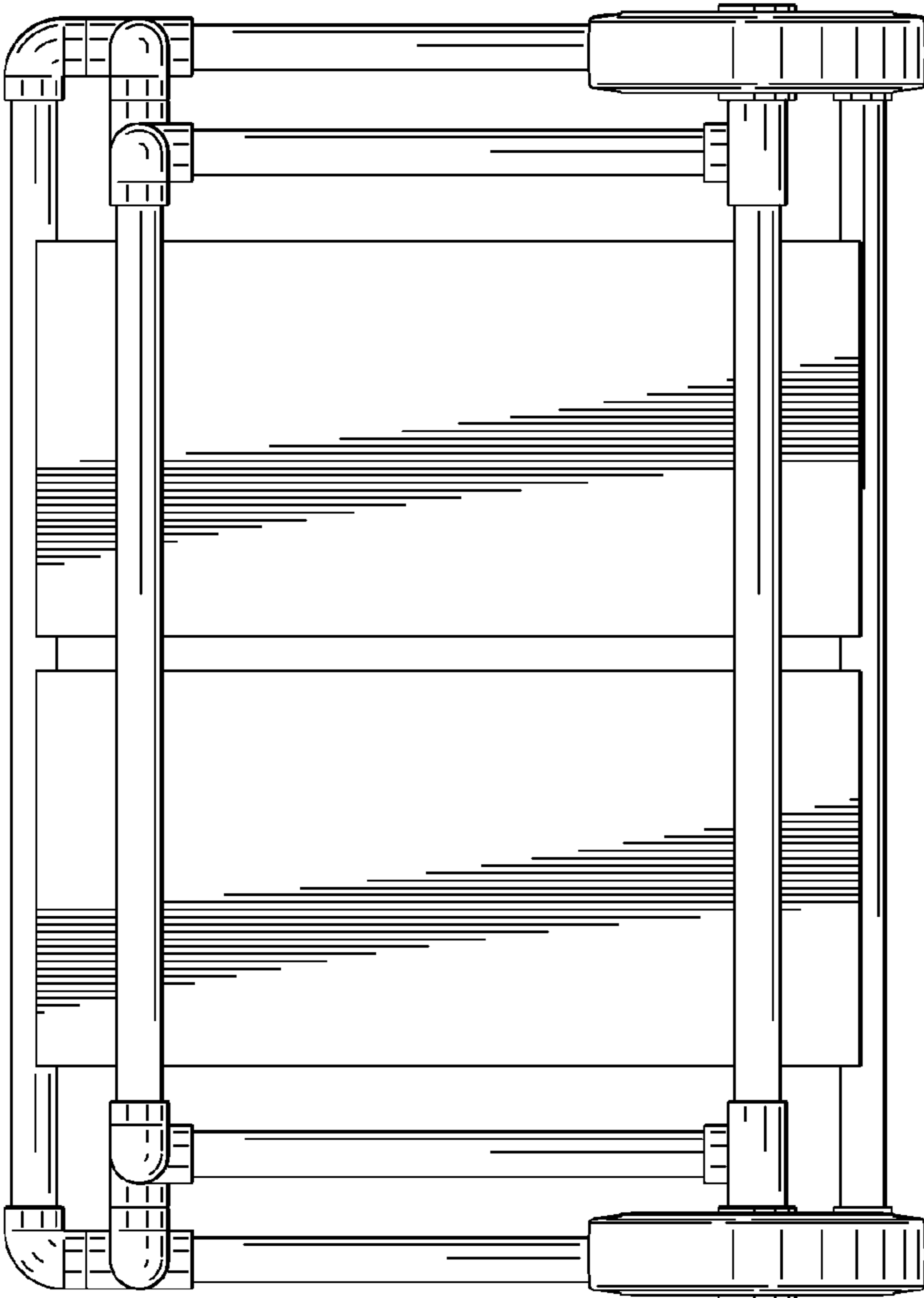


FIG. 7