



US00D604472S

(12) **United States Design Patent**
Blanks et al.

(10) **Patent No.:** **US D604,472 S**

(45) **Date of Patent:** **** Nov. 17, 2009**

(54) **DUAL COMPARTMENT RECEPTACLE FOR TRASH AND RECYCLABLES**

(76) Inventors: **Jerome Blanks**, 23149 Ladeene Ave., Torrance, CA (US) 90505; **Robbin Blanks**, 23149 Ladeene Ave., Torrance, CA (US) 90505

(**) Term: **14 Years**

(21) Appl. No.: **29/336,318**

(22) Filed: **Apr. 30, 2009**

(51) **LOC (9) Cl.** **09-09**

(52) **U.S. Cl.** **D34/7**

(58) **Field of Classification Search** D34/1-11;
220/908-913; D32/37
See application file for complete search history.

(56) **References Cited**

U.S. PATENT DOCUMENTS

- 5,072,852 A * 12/1991 Smith et al. 220/495.09
- 5,082,139 A * 1/1992 Quam 220/530
- D323,729 S * 2/1992 Weiland D34/9
- D324,282 S * 2/1992 Schnitzer et al. D34/5
- 5,119,958 A * 6/1992 Gabert et al. 220/495.09
- D332,334 S * 1/1993 Jones D34/9
- D335,730 S * 5/1993 Tessner et al. D34/7
- D344,381 S * 2/1994 Martin et al. D34/7

- 5,303,841 A 4/1994 Mezey
- D458,429 S * 6/2002 Lenard D34/1
- D460,590 S * 7/2002 Hodge et al. D34/1
- D493,267 S * 7/2004 Strobel et al. D34/7
- D596,819 S * 7/2009 Mancini D34/7

* cited by examiner

Primary Examiner—Cynthia E Ramirez

(74) *Attorney, Agent, or Firm*—Crossley Patent Law; Mark A. Crossley

(57) **CLAIM**

The ornamental design for a dual compartment receptacle for trash and recyclables, as shown and described.

DESCRIPTION

FIG. 1 is an isometric view of a dual compartment receptacle for trash and recyclables showing our new design with a lid, a pair of inserts, and a base separated for clarity;

FIG. 2 is a front elevation view thereof;

FIG. 3 is a rear elevation view thereof,

FIG. 4 is a right elevation thereof, the opposite side being a mirror image of the shown;

FIG. 5 is a top plan view thereof; and,

FIG. 6 is a bottom plan view thereof.

1 Claim, 6 Drawing Sheets

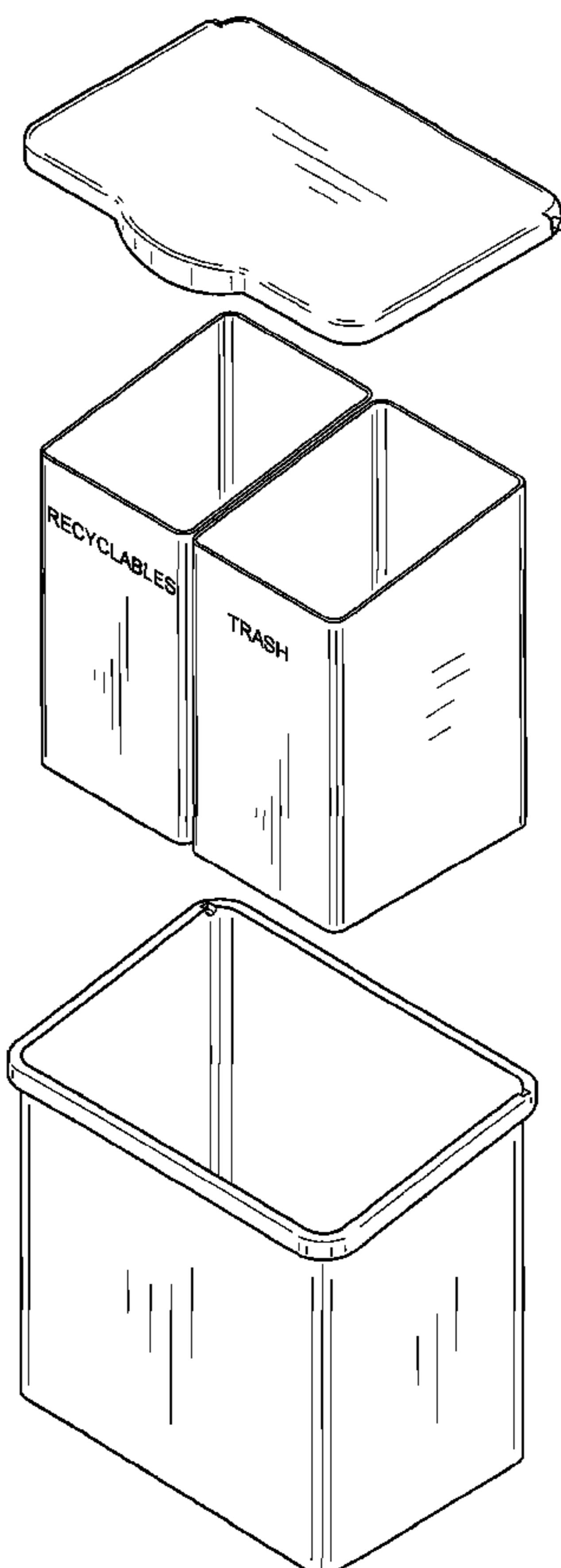


FIG. 1

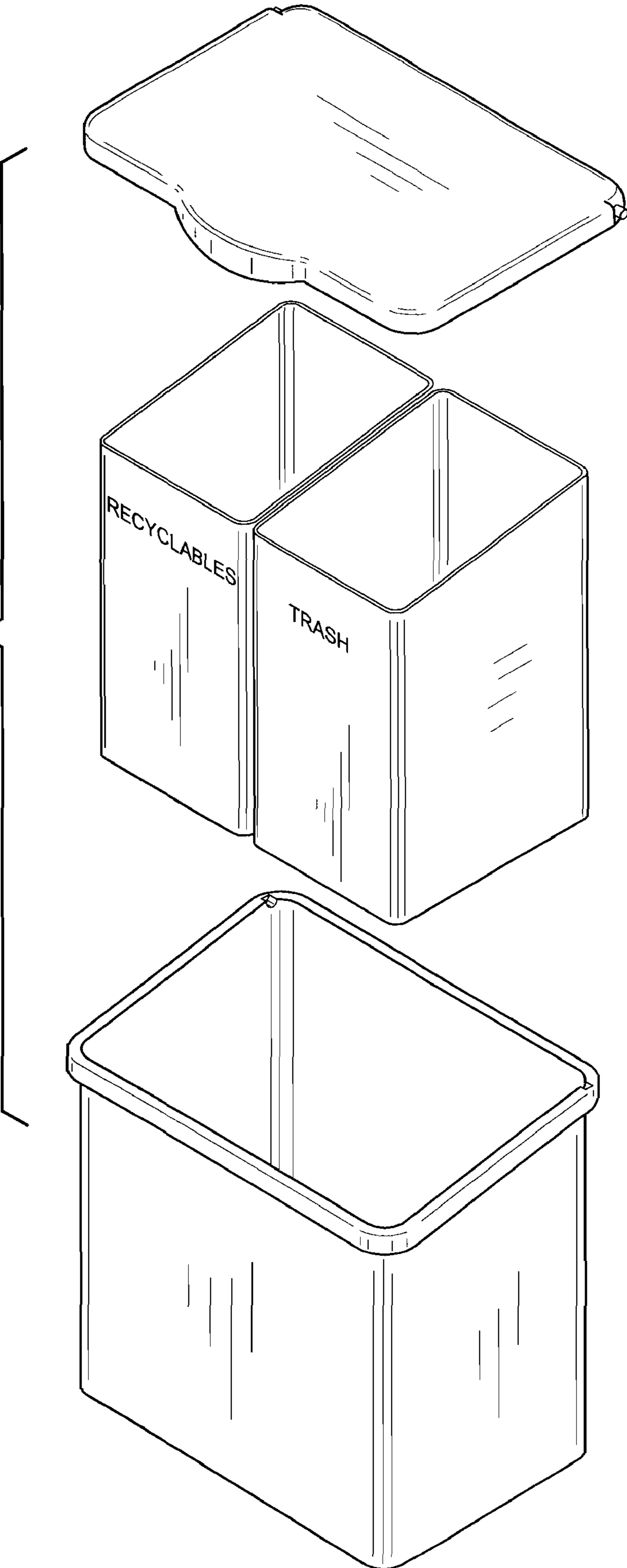


FIG. 2



FIG. 3



FIG. 4

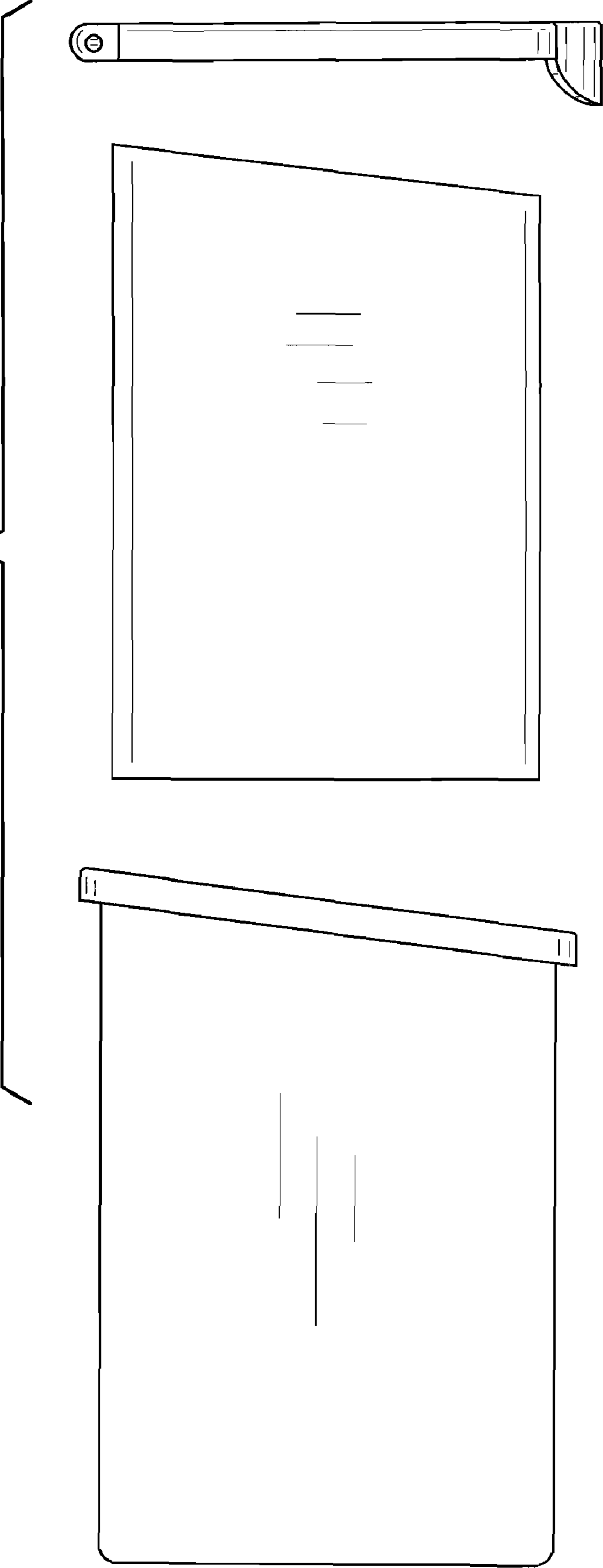


FIG. 5

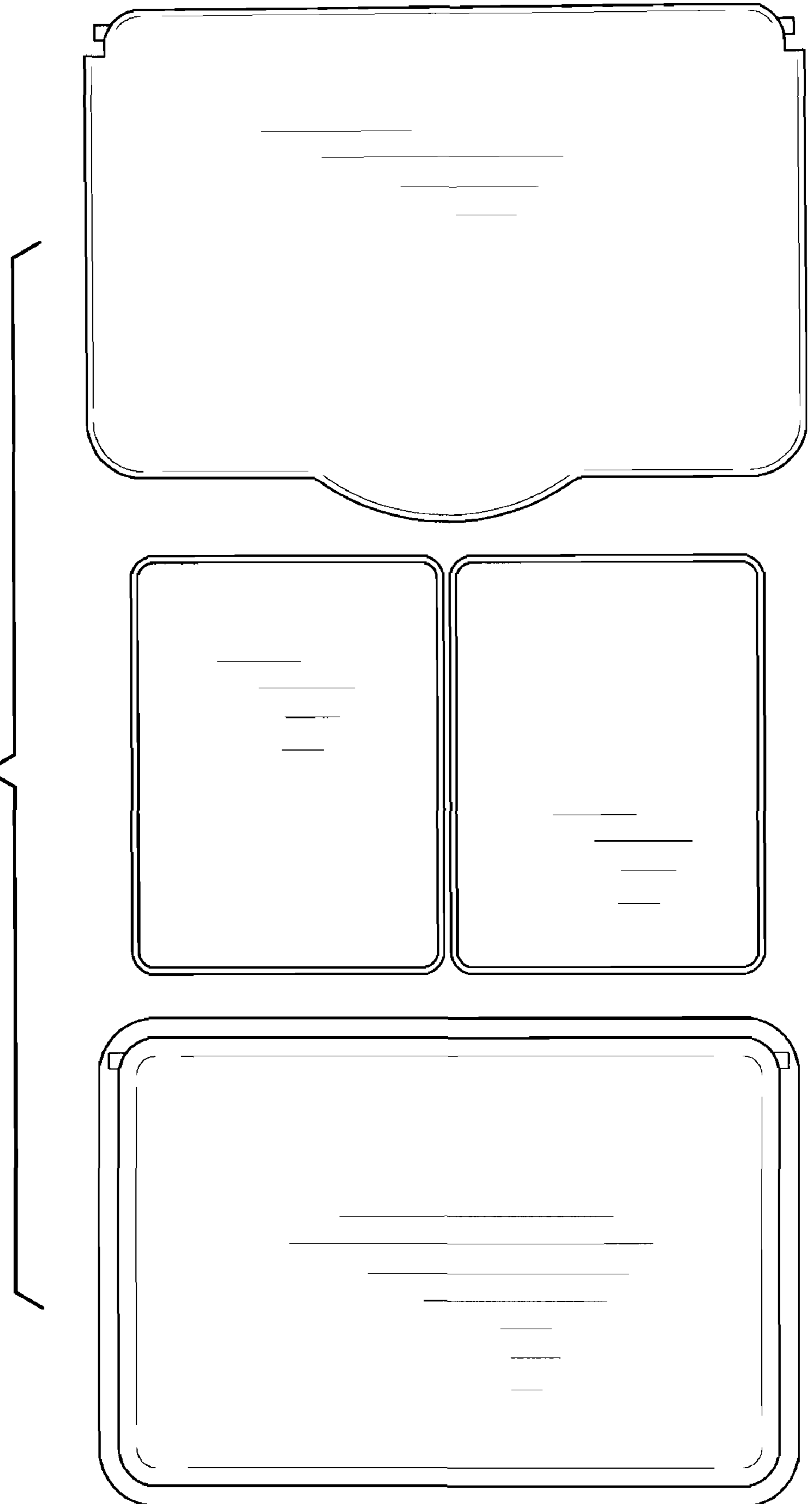


FIG. 6

