



US00D604471S

(12) **United States Design Patent**  
**Bergman**

(10) **Patent No.:** **US D604,471 S**

(45) **Date of Patent:** **\*\* Nov. 17, 2009**

(54) **HAND-HELD CONTAINER**

(75) Inventor: **Mark W. Bergman**, Minnetonka, MN (US)

(73) Assignee: **Bercom International, LLC**, Chanhasen, MN (US)

(\*\*) Term: **14 Years**

(21) Appl. No.: **29/326,060**

(22) Filed: **Oct. 10, 2008**

**Related U.S. Application Data**

(62) Division of application No. 29/228,960, filed on Apr. 29, 2005, now Pat. No. Des. 581,118.

(51) **LOC (9) Cl.** ..... **07-07**

(52) **U.S. Cl.** ..... **D32/53.1**

(58) **Field of Classification Search** ..... 15/260, 15/261, 264; 220/495.02, 570, 571, 571.1, 220/733; D7/393, 394, 395; D8/300, 301, D8/303, 315, 319; D9/522, 523, 528, 531; D32/37, 53, 53.1, 54; D34/10, 27  
See application file for complete search history.

(56) **References Cited**

**U.S. PATENT DOCUMENTS**

1,304,415	A	5/1919	Tucker	
1,590,572	A	6/1926	Fredette	
1,734,976	A	11/1929	McClellan	
1,950,505	A	3/1934	Matters	
2,228,536	A	1/1941	Scalph	
2,626,737	A	1/1953	Pitz	
2,709,540	A	5/1955	Kenney	
D175,865	S *	10/1955	Stone	D8/319
2,765,969	A	10/1956	Bennington	
D184,315	S *	1/1959	Jennings et al.	D34/28

(Continued)

**FOREIGN PATENT DOCUMENTS**

GB 195523 4/1923

(Continued)

**OTHER PUBLICATIONS**

Illustration (from Sporty's website showing a "Painter's Helper" ID#: 1610T) of the paint container manufactured by Aqua-Tainer Co., of Shorewood Illinois, (Published prior to Apr. 29, 2005).

(Continued)

*Primary Examiner*—Cathron C Brooks

*Assistant Examiner*—Kevin K Rudzinski

(74) *Attorney, Agent, or Firm*—Westman, Champlin and Kelly, P.A.

(57) **CLAIM**

The ornamental design for a hand-held container, as shown and described.

**DESCRIPTION**

FIG. 1 is a perspective view of hand-held container, as viewed from the top, rear, and right side thereof;

FIG. 2 is a top plan view of a hand-held container of FIG. 1;

FIG. 3 is a front elevational view of a hand-held container of FIG. 1;

FIG. 4 is a right side view of a hand-held container of FIG. 1;

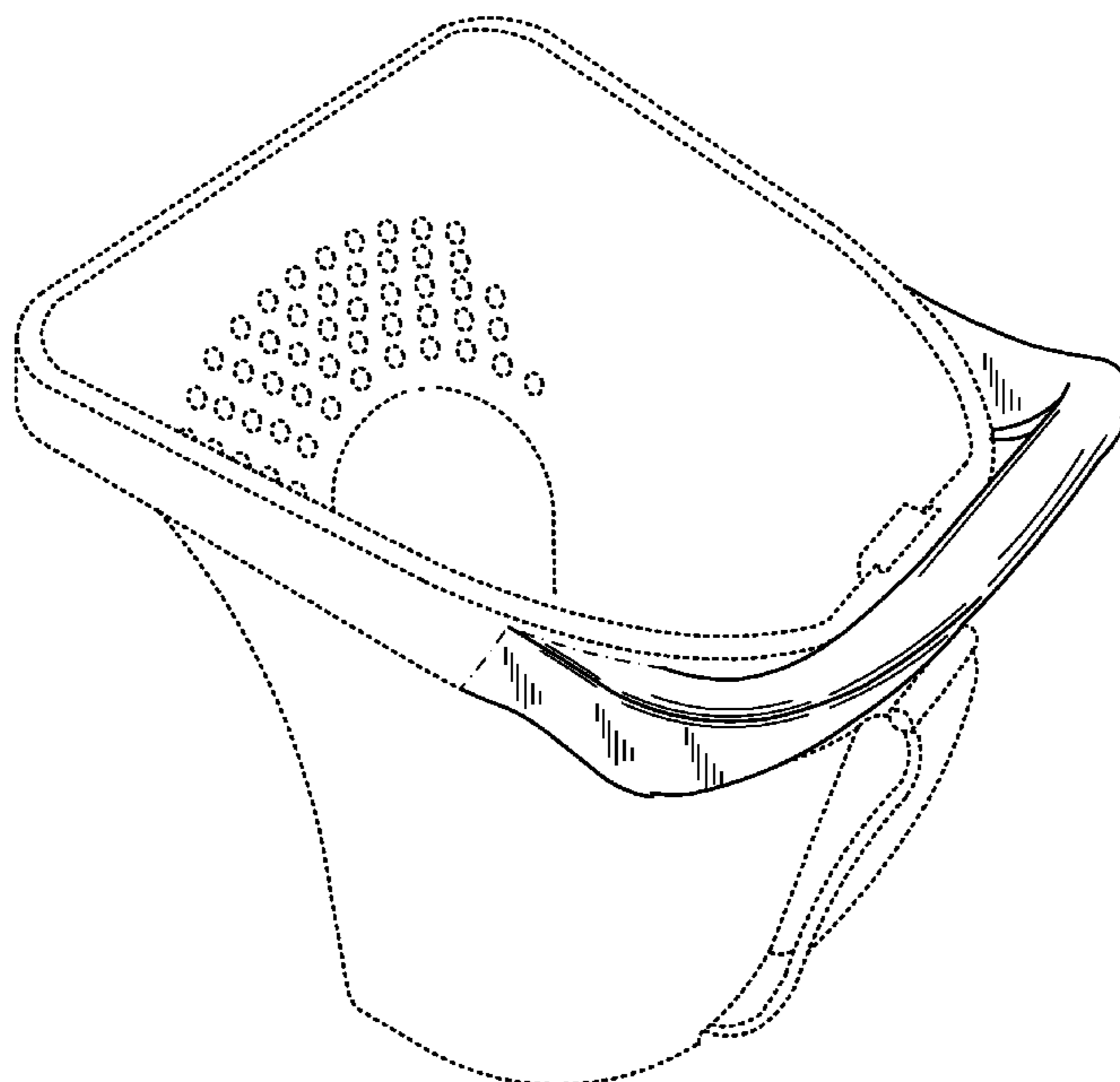
FIG. 5 is a left side view of a hand-held container of FIG. 1;

FIG. 6 is a rear elevational view of a hand-held container of FIG. 1; and,

FIG. 7 is a bottom plan view of a hand-held container of FIG. 1.

The dashed lines in FIG. 1–7 depict unclaimed portions of the design. The dashed lines and the structure they depict form no part of the claimed design. The dash-dot-dash lines in FIGS. 1, 2, 4, 6 and 7 define the boundary of the claimed design and form no part of the claimed design.

**1 Claim, 7 Drawing Sheets**



# US D604,471 S

Page 2

## U.S. PATENT DOCUMENTS

3,138,280 A 6/1964 Shafer  
 3,139,646 A 7/1964 Vernon  
 3,219,233 A 11/1965 Whiteford  
 3,229,820 A 1/1966 Hentzi et al.  
 3,311,252 A \* 3/1967 Swartwood et al. .... 215/397  
 3,425,012 A 1/1969 Gottinger  
 3,536,285 A 10/1970 Vaughn  
 3,590,416 A 7/1971 Henningsen  
 3,595,431 A 7/1971 Bird  
 3,602,939 A 9/1971 Schoenholz  
 3,682,352 A 8/1972 Douchette  
 3,729,158 A 4/1973 Nagy  
 3,828,389 A 8/1974 Heisler  
 3,940,824 A 3/1976 Gioia et al.  
 4,061,242 A 12/1977 Donlon  
 4,101,046 A 7/1978 Puntillo  
 4,164,299 A 8/1979 Fuhr  
 D277,080 S \* 1/1985 Gagnon ..... D9/434  
 4,519,565 A 5/1985 Whitmore  
 4,627,546 A 12/1986 Carranza  
 4,691,840 A \* 9/1987 Ferbrache ..... 220/318  
 4,860,891 A 8/1989 Biggio  
 4,895,269 A 1/1990 Cade  
 4,927,046 A 5/1990 Armstrong  
 4,928,873 A 5/1990 Johnson  
 5,011,536 A 4/1991 Boom  
 5,033,704 A 7/1991 Kerr  
 5,083,733 A 1/1992 Marino et al.  
 5,092,481 A 3/1992 Skelton  
 5,147,067 A 9/1992 Effertz  
 5,169,025 A 12/1992 Guo  
 5,222,656 A 6/1993 Carlson  
 5,320,249 A 6/1994 Strech  
 5,341,969 A 8/1994 Accardo et al.  
 D353,697 S \* 12/1994 Breen et al. .... D34/10  
 5,400,916 A 3/1995 Weber  
 5,429,262 A 7/1995 Sharkey  
 5,493,751 A 2/1996 Misiukowicz et al.  
 5,511,279 A 4/1996 Ippolito  
 5,549,216 A 8/1996 Scholl  
 5,570,807 A 11/1996 Busch  
 5,624,093 A 4/1997 Gemmell  
 5,641,087 A 6/1997 Moffitt  
 5,746,346 A 5/1998 Crilly

D397,833 S 9/1998 Adams Zurawin  
 5,810,196 A 9/1998 Lundy  
 RE35,933 E 10/1998 Scholl  
 D401,116 S 11/1998 Demore  
 5,836,469 A 11/1998 Zebrowski  
 5,971,201 A 10/1999 Daw  
 D422,450 S \* 4/2000 Conti ..... D7/394  
 6,065,633 A 5/2000 Abbey  
 6,119,303 A 9/2000 Passafiume  
 6,138,963 A 10/2000 Malvasio  
 D435,728 S 1/2001 Miles et al.  
 D444,929 S 7/2001 Cox  
 6,260,730 B1 7/2001 Fellman  
 D452,130 S \* 12/2001 Richardson ..... D8/319  
 D458,723 S 6/2002 Malvasio  
 D460,845 S 7/2002 Bergman  
 6,419,106 B1 7/2002 Bebak  
 6,446,829 B1 9/2002 Malvasio et al.  
 D466,407 S 12/2002 Nance  
 D466,787 S \* 12/2002 Clancy ..... D8/301  
 D467,784 S \* 12/2002 Maier ..... D8/301  
 D482,274 S \* 11/2003 Walsh et al. .... D9/416  
 D482,830 S 11/2003 Kohn  
 6,708,838 B2 3/2004 Bergman et al.  
 D493,035 S 7/2004 Bergman  
 D499,027 S \* 11/2004 Walsh et al. .... D9/532  
 D509,420 S \* 9/2005 Hauber ..... D8/300  
 6,991,829 B2 1/2006 Bergman  
 D546,160 S \* 7/2007 Reithmeyer ..... D8/301  
 2002/0036206 A1 3/2002 Bergman et al.  
 2002/0056714 A1 5/2002 Schinkel  
 2004/0118861 A1 6/2004 Bergman et al.  
 2004/0173622 A1 9/2004 Findleton  
 2004/0195248 A1 10/2004 Garcia  
 2004/0206761 A1 10/2004 Frantz  
 2004/0208083 A1 \* 10/2004 Armendariz et al. .... 366/209  
 2004/0256335 A1 12/2004 Sholem

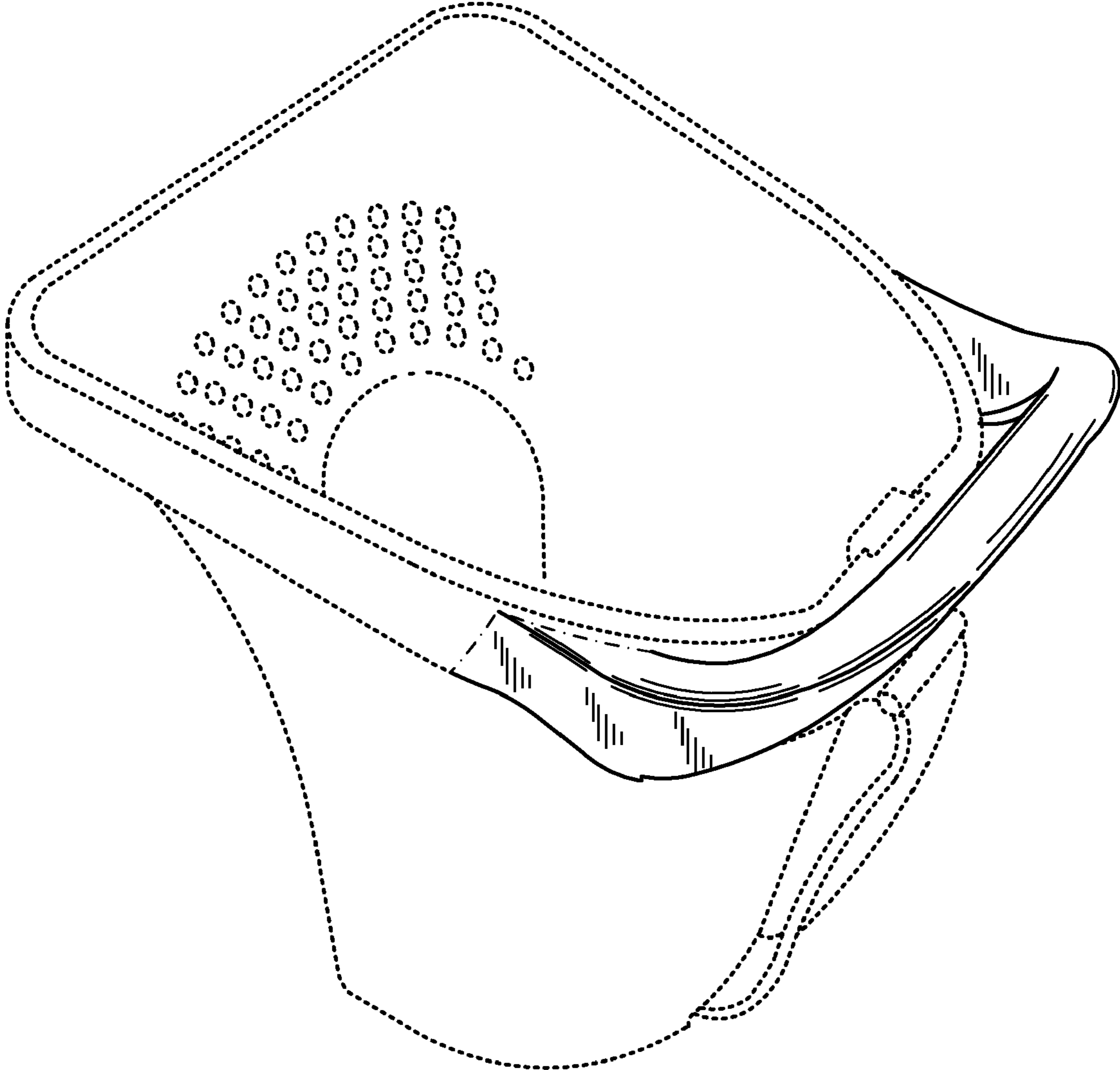
## FOREIGN PATENT DOCUMENTS

JP 10 287339 10/1998

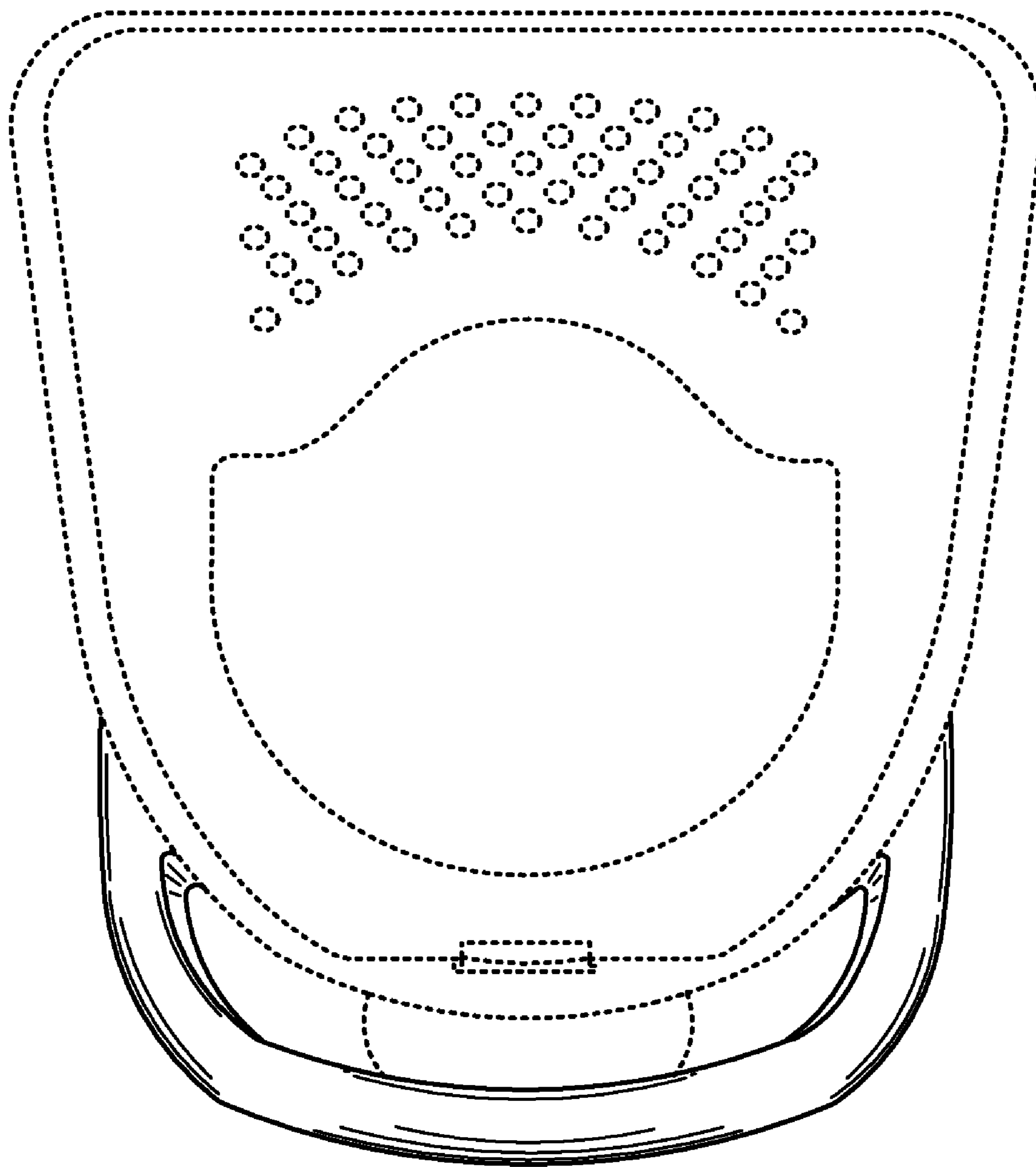
## OTHER PUBLICATIONS

Fourteen (14) photos of a pail known to the public prior to Apr. 29, 2004 (14 pages).

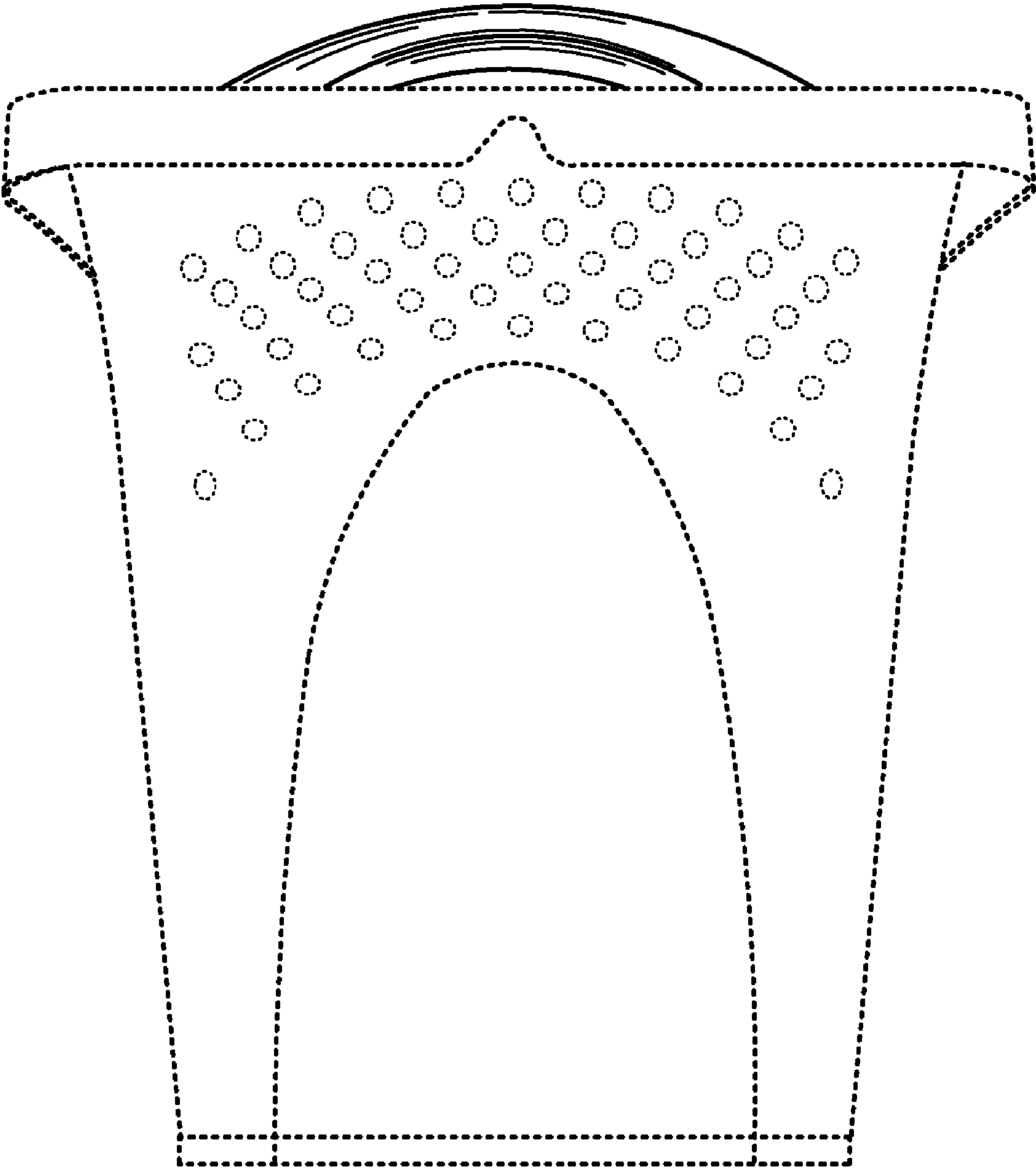
\* cited by examiner



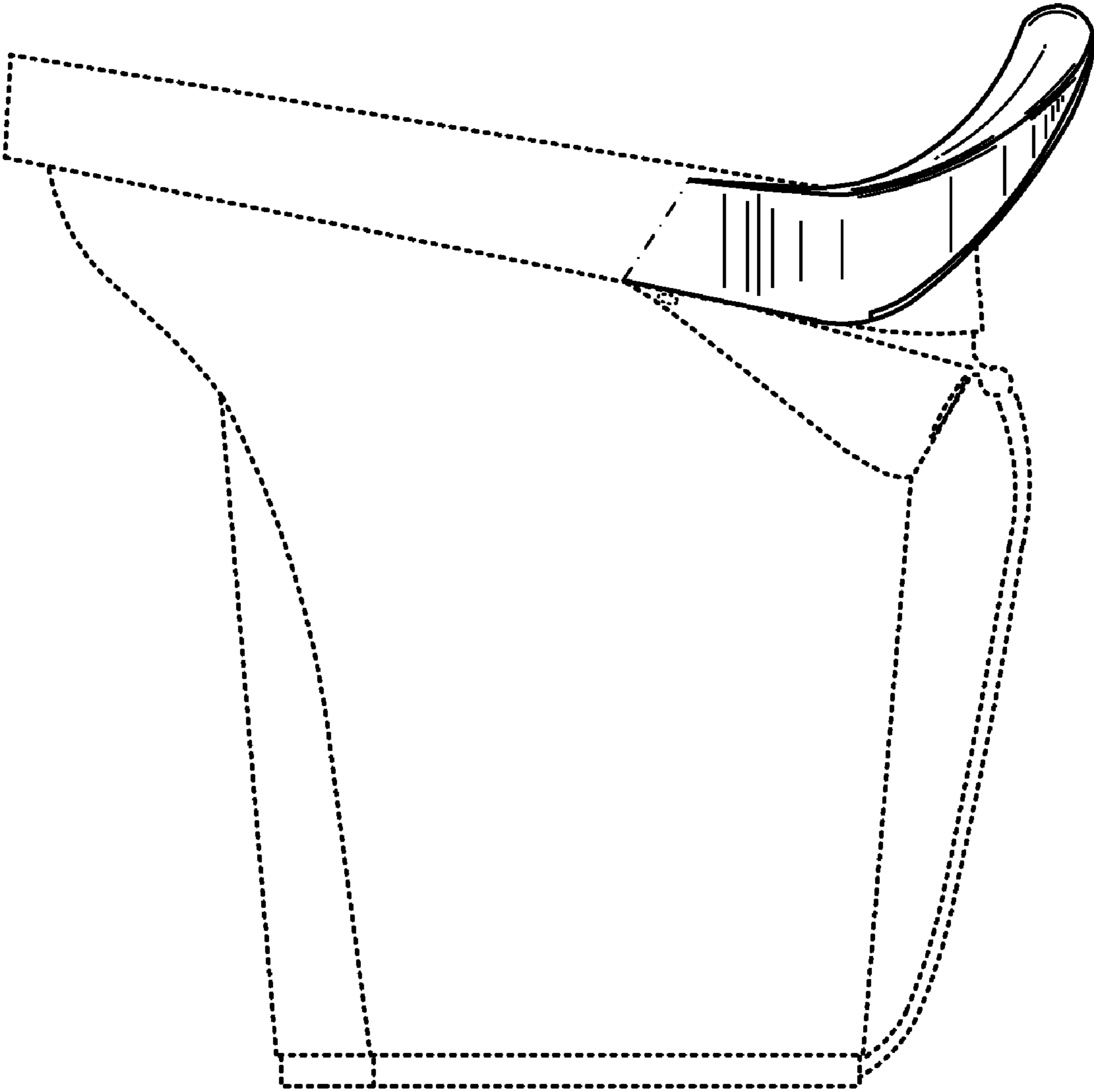
*Fig. 1*



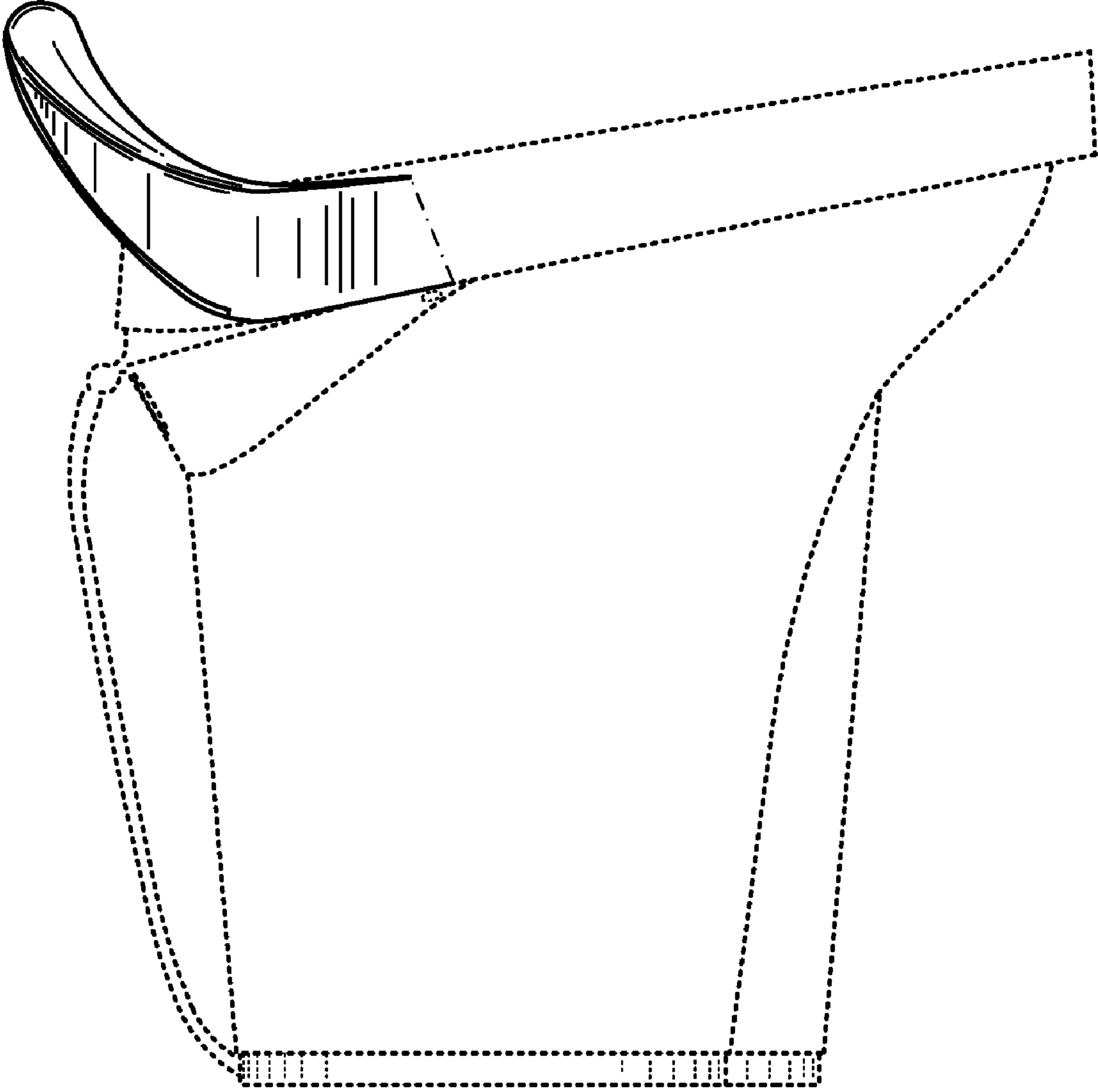
*Fig. 2*



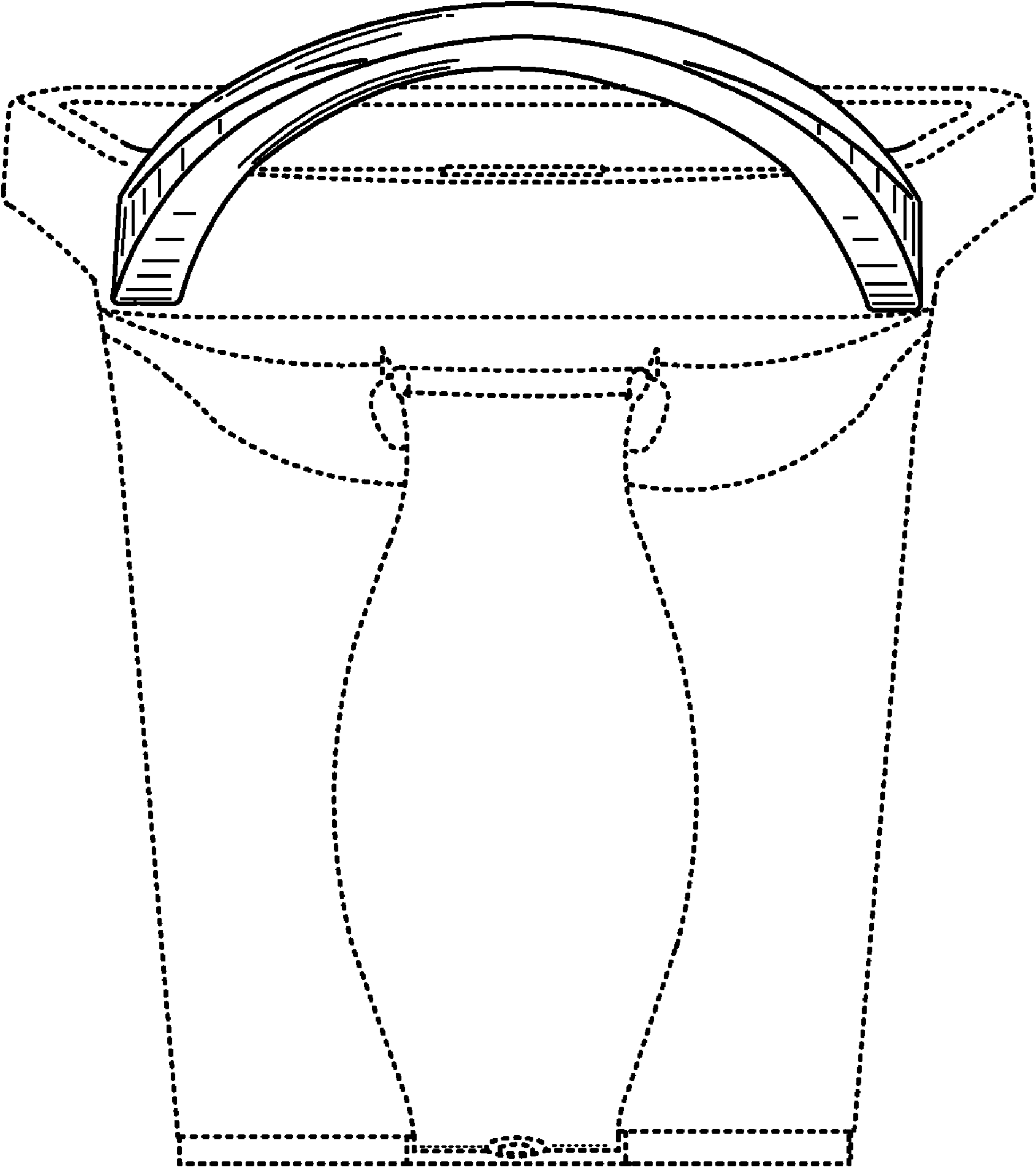
*Fig. 3*



*Fig. 4*

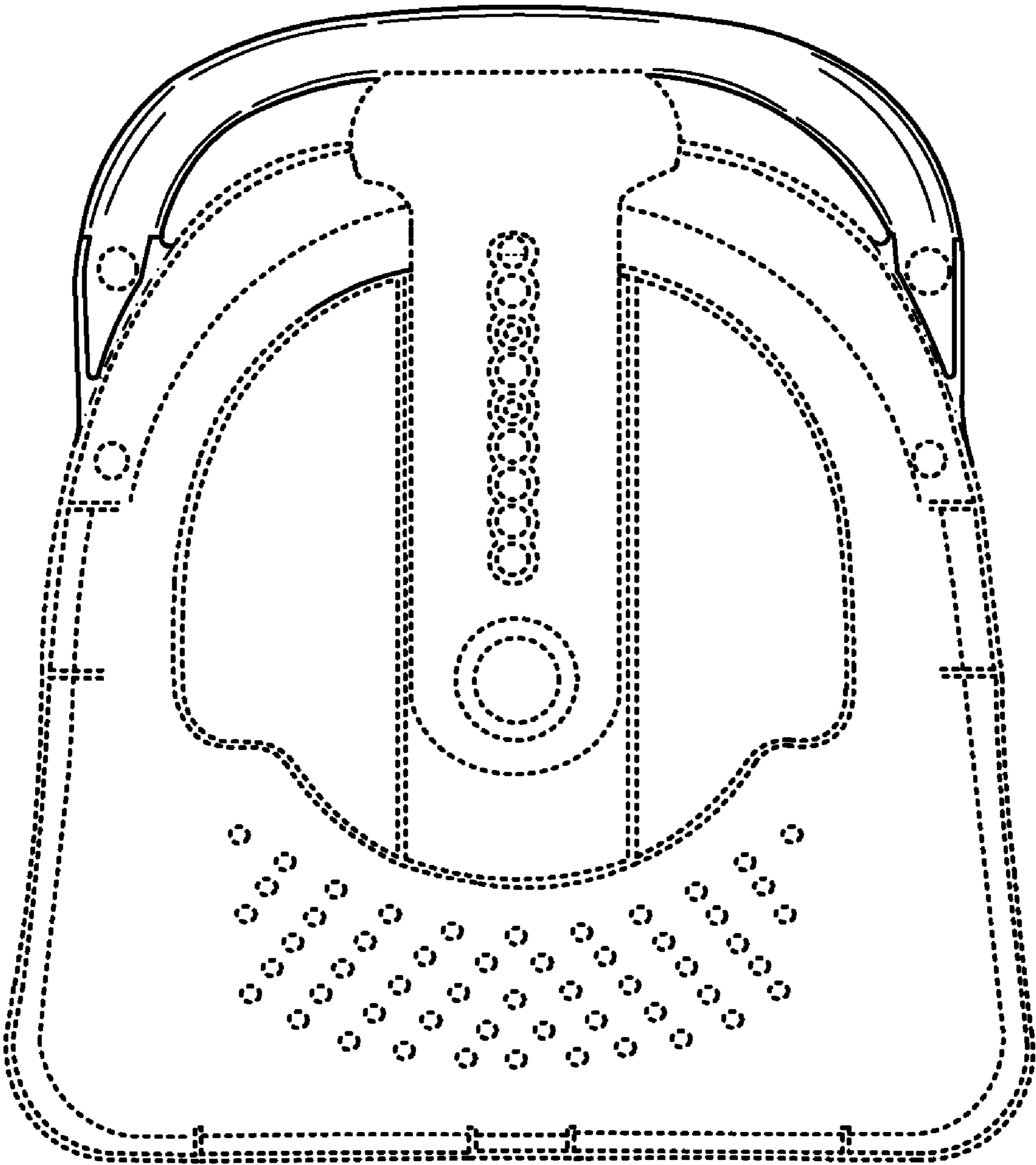


*Fig. 5*



*Fig. 6*





*Fig. 7*

UNITED STATES PATENT AND TRADEMARK OFFICE  
**CERTIFICATE OF CORRECTION**

PATENT NO. : Des. 604,471 S  
APPLICATION NO. : 29/326060  
DATED : November 17, 2009  
INVENTOR(S) : Mark W. Bergman

Page 1 of 1

It is certified that error appears in the above-identified patent and that said Letters Patent is hereby corrected as shown below:

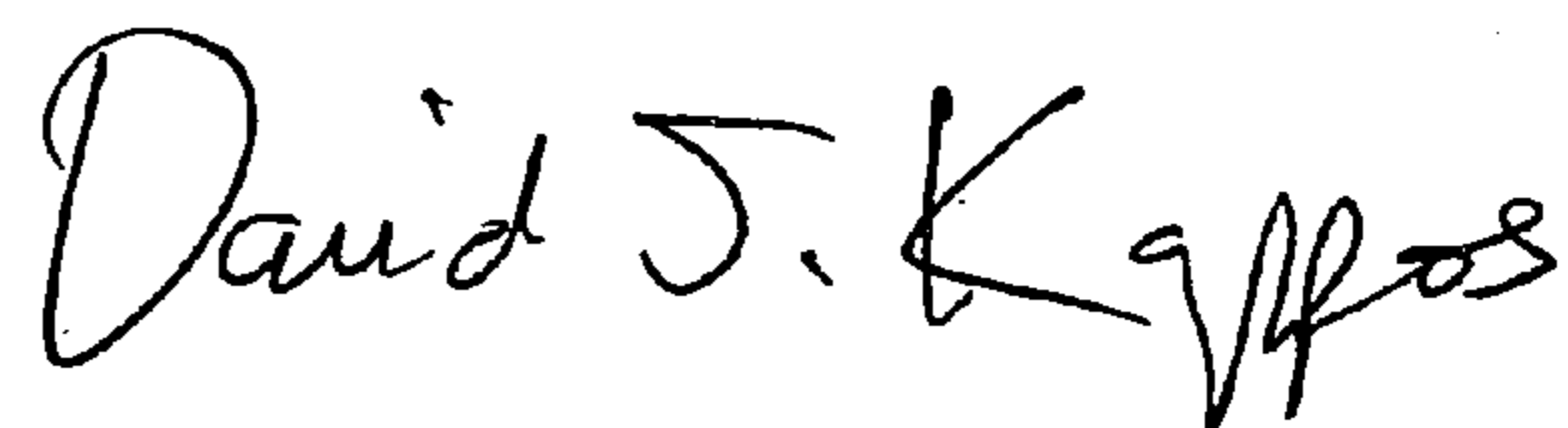
Title Page, Item (57)

In the claim:

Change "container, as" to -- container as --.

Signed and Sealed this

Twenty-third Day of February, 2010



David J. Kappos  
*Director of the United States Patent and Trademark Office*

**UNITED STATES PATENT AND TRADEMARK OFFICE**  
**Certificate**

Patent No. D. 604,471 S

Patented: November 17, 2009

On petition requesting issuance of a certificate for correction of inventorship pursuant to 35 U.S.C. 256, it has been found that the above identified patent, through error and without any deceptive intent, improperly sets forth the inventorship.

Accordingly, it is hereby certified that the correct inventorship of this patent is: Mark W. Bergman, Minnetonka, MN (US); Matthew V. Leyden, St. Paul, MN (US); and Jeffrey B. Waffensmith, North Oaks, MN (US).

Signed and Sealed this Second Day of July 2013.

**CATHRON BROOKS**  
*Supervisory Patent Examiner*  
Art Unit 2911  
Technology Center 2900